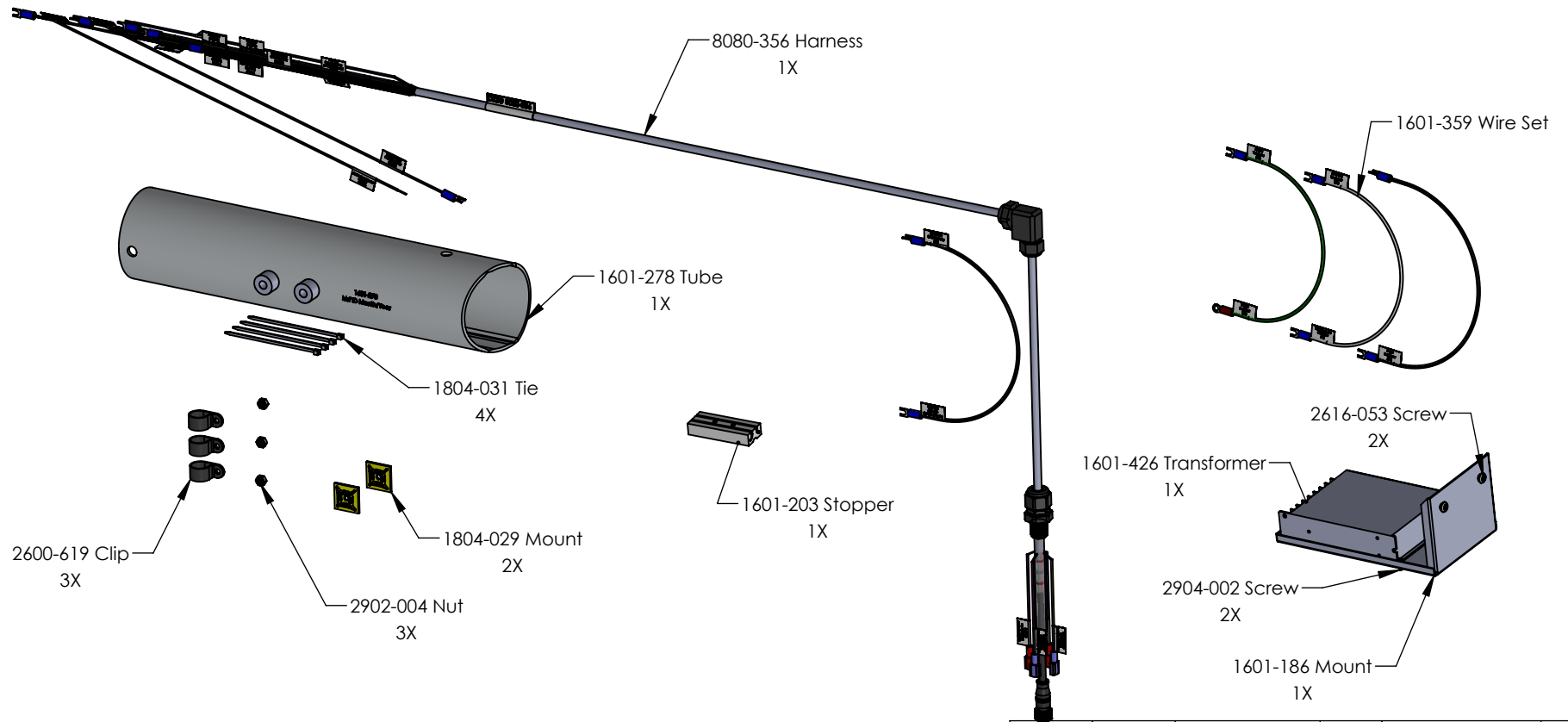


PartNo	Description	QTY.
1601-186	Transformer Mount	1
1601-203	Edge Alum Stopper Assy	1
1601-278	Pivot Tube Octa Arm Support	1
1601-359	Wire Set for 8.5-12.5A Transformers	1
1601-426	Transformer 12VDC 8.5Amp Chassis	1
1804-029	Mount Wire Tie	2
1804-031	Tie Wrap 4"	4
2600-619	0.625 Wire Clip	3
2616-053	Screw 10-32 x 3/4	2
2902-004	Nut Nylon Locking 8-32	3
2904-002	Screw Round Head 4-40x3/8	2
8080-356	Wire Harness IP68WR Connector	1

REVISIONS			
REV.	DESCRIPTION	DATE	APPROVED
A	New: 8080-538 kit replaced 1601-538	03-06-25	Tpham



DRAWN	Tpham		DWG. NO.	8080-538	REV.	A
DATE	03-06-25		WHERE USED	1601		
NAME	Kit-Upgrade to BreakAway Octa.Arm					
PROPRIETARY & CONFIDENTIAL: The information contained in this drawing is the sole property of DoorKing, Inc. Any reproduction in part or as a whole without written permission of DoorKing, Inc. is prohibited.						
DO NOT SCALE TO DRAWING		SHEET SIZE	A	SCALE: 1:20	SHEET 1 OF 1	