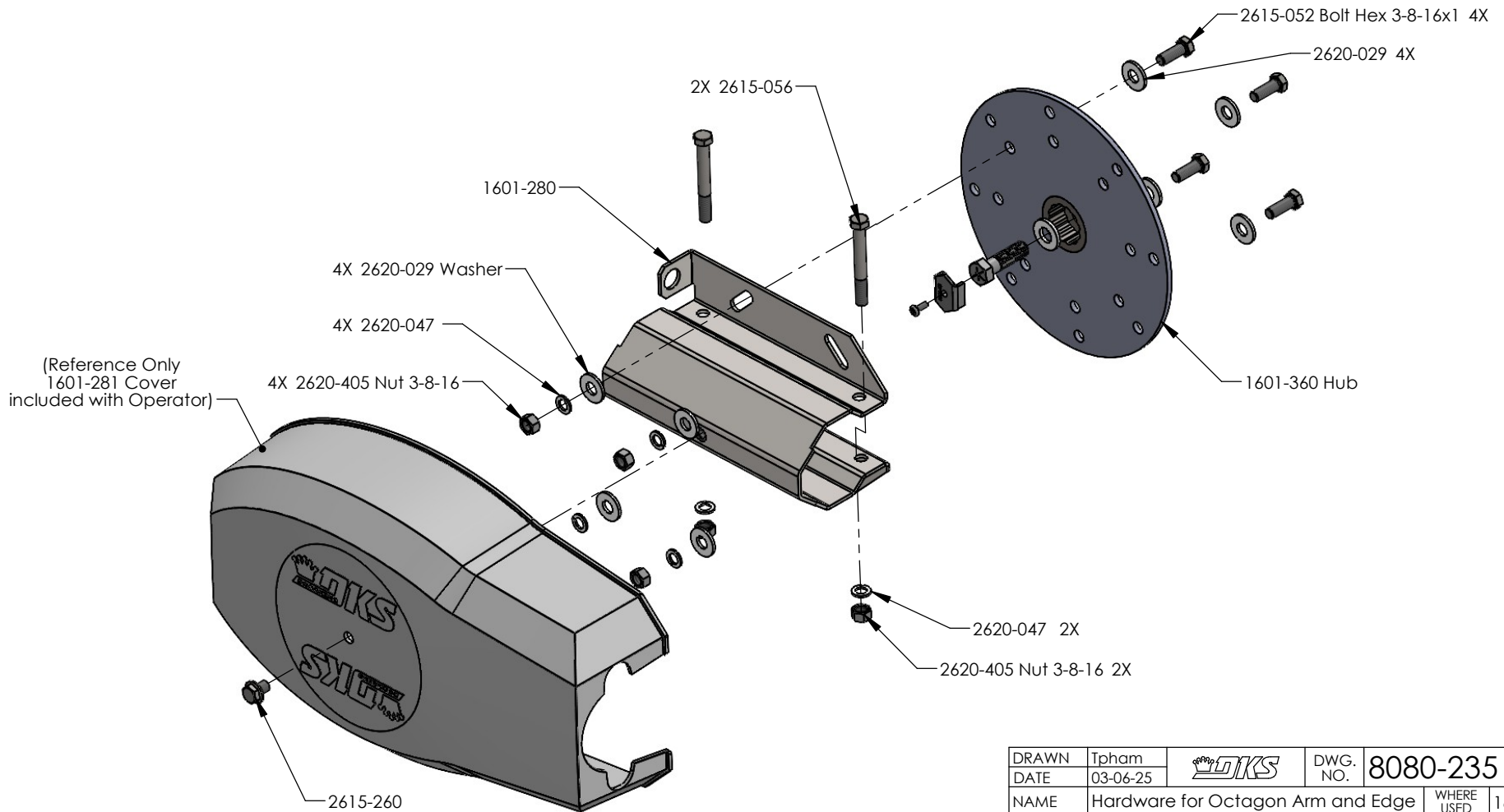


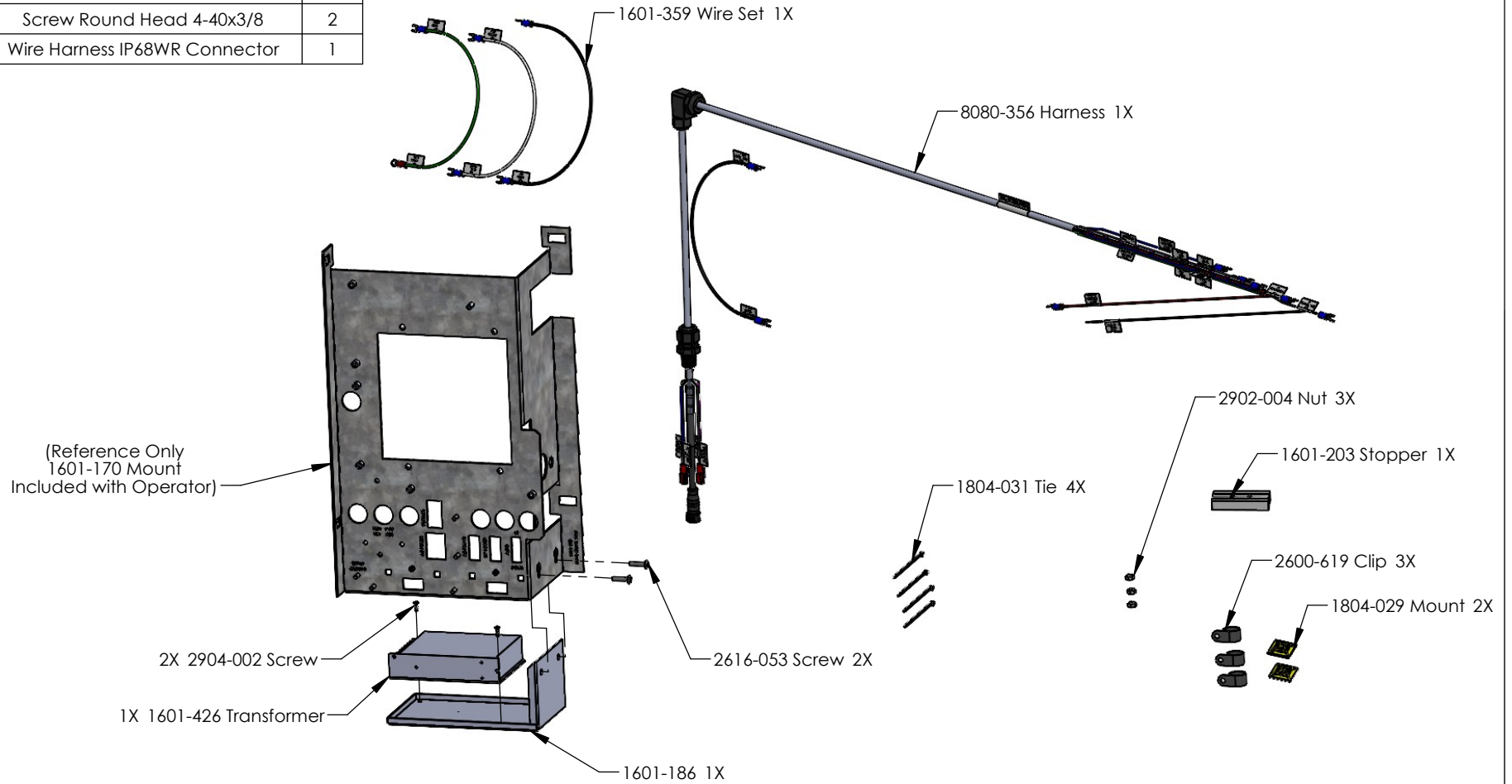
PartNo	Description	QTY.
1601-280	Aluminum Arm Bracket	1
1601-360	Hub Steel Kit	1
2615-052	Bolt Hex 3/8-16x1.0	4
2615-056	Bolt Hex 3/8-16 x 3.0	2
2615-260	18-8 SS Flange Head Cap Screw 3/8"-16 Thread, 1/2" Length, Fully Threaded	1
2620-029	Washer 3/8 ID USS	8
2620-047	Washer Split 3/8-16	6
2620-405	Nut 3/8-16	6

REVISIONS			
REV.	DESCRIPTION	DATE	APPROVED
A	New number: 8080-235 kit replaced 1601-235 kit	12/14/2023	Tpham



DRAWN	Tpham		DWG. NO.	8080-235	REV.	A
DATE	03-06-25		WHERE USED	1601		
NAME	Hardware for Octagon Arm and Edge					
PROPRIETARY & CONFIDENTIAL: The information contained in this drawing is the sole property of DoorKing, Inc. Any reproduction in part or as a whole without written permission of DoorKing, Inc. is prohibited.						
DO NOT SCALE TO DRAWING	SHEET SIZE	A	SCALE:	1:20	SHEET 1 OF 2	

PartNo	Description	QTY.
1601-186	Transformer Mount	1
1601-203	Edge Alum Stopper Assy	1
1601-359	Wire Set for 8.5-12.5A Transformers	1
1601-426	Transformer 12VDC 8.5Amp Chassis	1
1804-029	Mount Wire Tie	2
1804-031	Tie Wrap 4"	4
2600-619	0.625 Wire Clip	3
2616-053	Screw 10-32 x 3/4	2
2902-004	Nut Nylon Locking 8-32	3
2904-002	Screw Round Head 4-40x3/8	2
8080-356	Wire Harness IP68WR Connector	1



DRAWN	Tpham		DWG. NO.	8080-235	REV.	A
DATE	03-06-25		NAME	Hardware for Octagon Arm and Edge	WHERE USED	1601
PROPRIETARY & CONFIDENTIAL: The information contained in this drawing is the sole property of Doorking, Inc. Any reproduction in part or as a whole without written permission of Doorking, Inc. is prohibited.						
DO NOT SCALE TO DRAWING	SHEET SIZE	A	SCALE:	1:20	SHEET 2 OF 2	