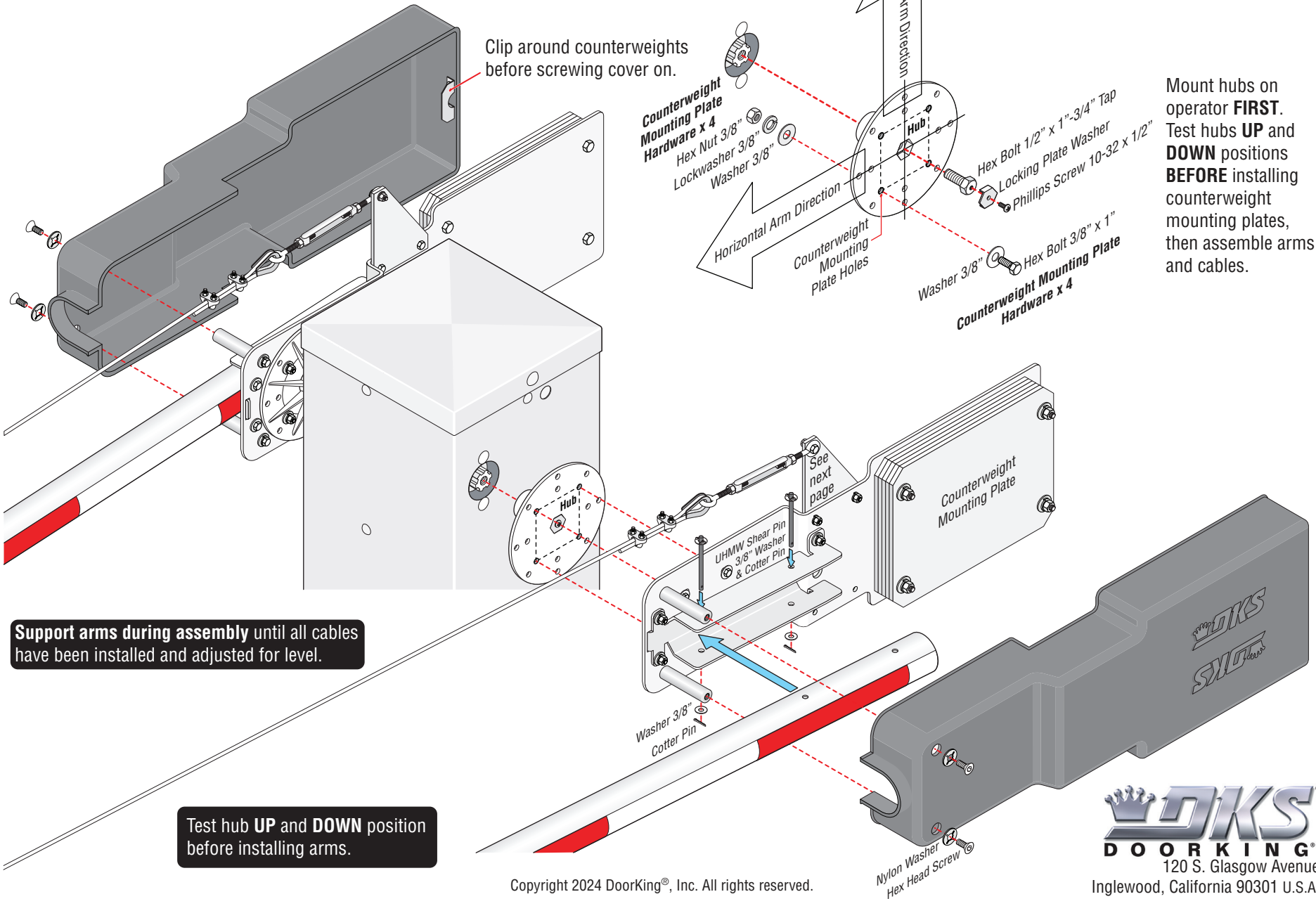


3-PIECE ROUND ARM KITS

These kits are designed **ONLY** for the 1602 model barrier gate operator.

DoorKing Part Numbers:

1602-162 20 ft Arm **1602-164** 24 ft Arm **1602-166** 27 ft Arm



Mount hubs on operator **FIRST**. Test hubs **UP** and **DOWN** positions **BEFORE** installing counterweight mounting plates, then assemble arms and cables.

Support arms during assembly until all cables have been installed and adjusted for level.

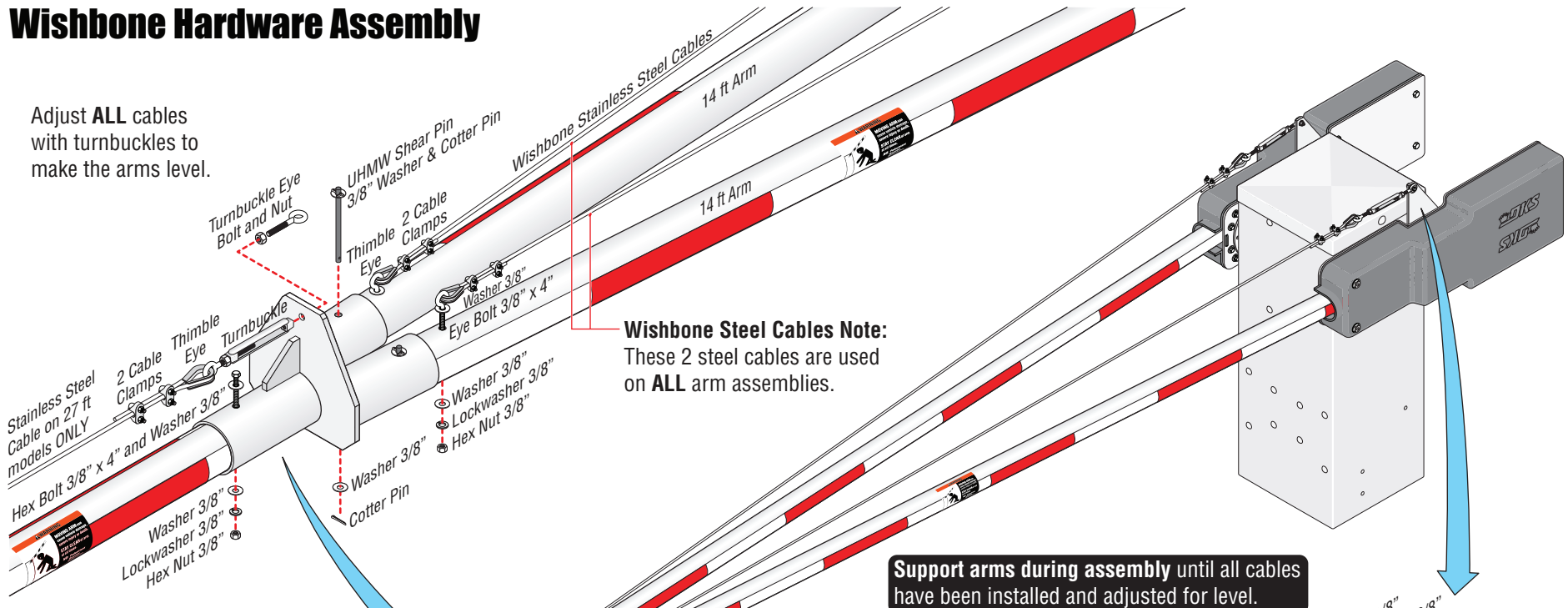
Test hub UP and DOWN position before installing arms.

Copyright 2024 DoorKing®, Inc. All rights reserved.



Wishbone Hardware Assembly

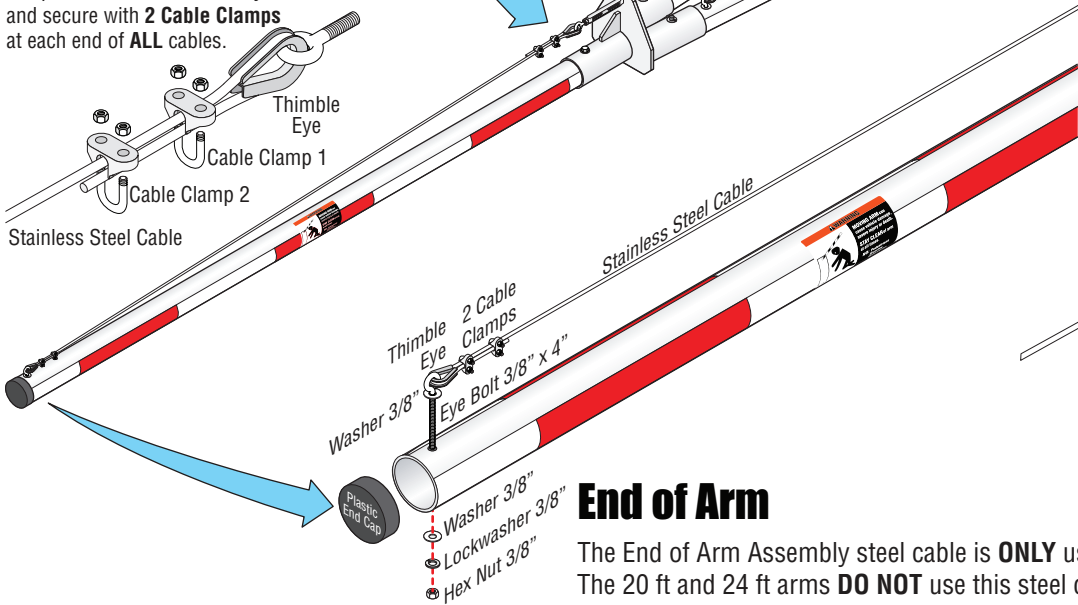
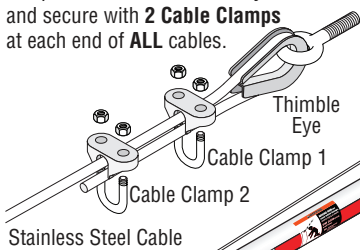
Adjust **ALL** cables with turnbuckles to make the arms level.



Wishbone Steel Cables Note:
These 2 steel cables are used on **ALL** arm assemblies.

Support arms during assembly until all cables have been installed and adjusted for level.

Wrap cable around Thimble Eye and secure with **2 Cable Clamps** at each end of **ALL** cables.



End of Arm

The End of Arm Assembly steel cable is **ONLY** used on the 27 ft arm. The 20 ft and 24 ft arms **DO NOT** use this steel cable.