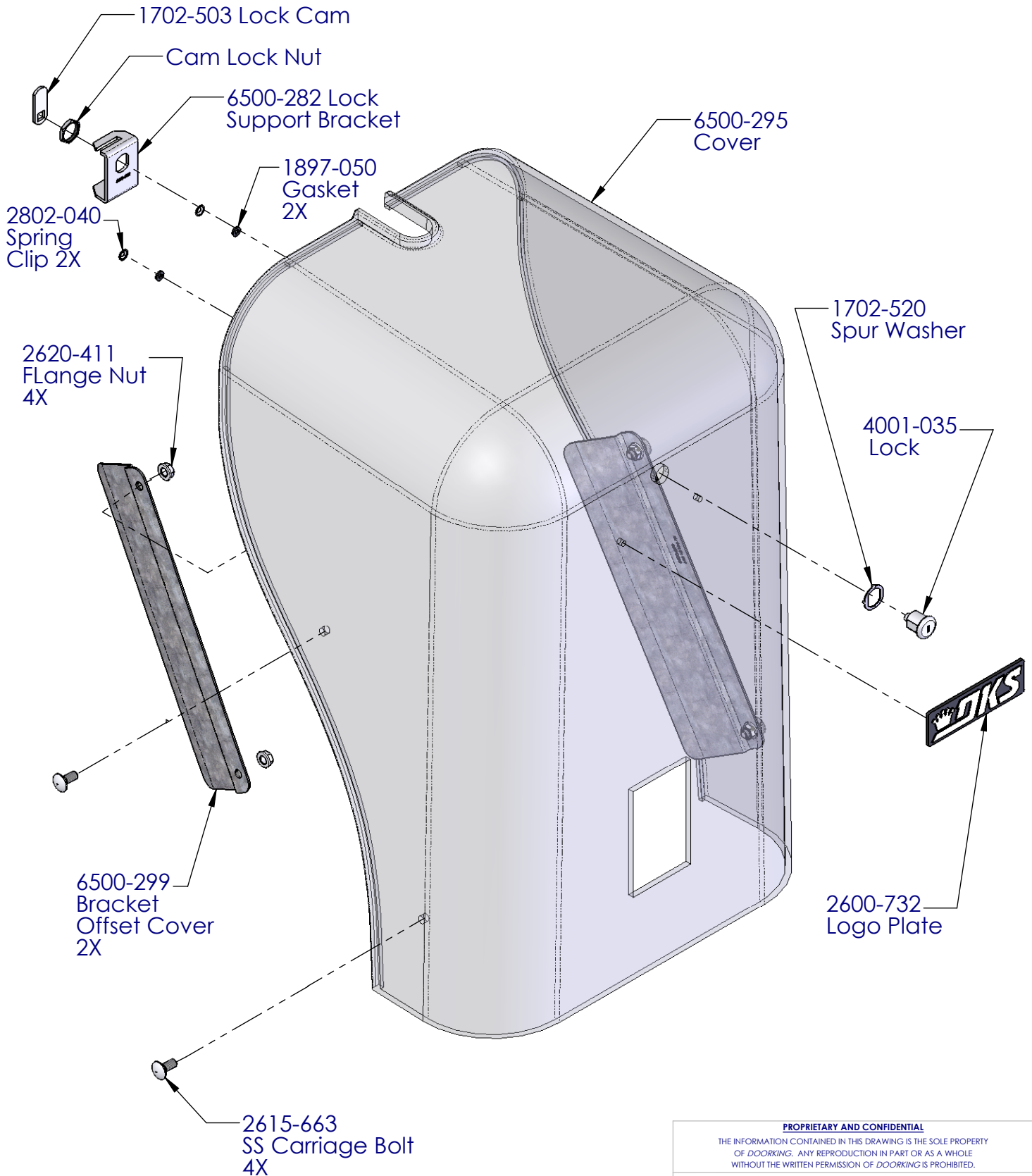



REVISIONS

| ZONE | REV. | DESCRIPTION | DATE | APPROVED |
|------|------|-----------------------|-----------|----------|
| | A | New Drawing | 1/15/2014 | |
| | B | 2615-663 was 2615-652 | 4/10/2014 | DC |



Notes: Unless Otherwise Specified.

PROPRIETARY AND CONFIDENTIAL
 THE INFORMATION CONTAINED IN THIS DRAWING IS THE SOLE PROPERTY OF DOORING. ANY REPRODUCTION IN PART OR AS A WHOLE WITHOUT THE WRITTEN PERMISSION OF DOORING IS PROHIBITED.

www.dooring.com 

IPB-Model 6500 Cover Ass'y

| | | |
|-------------|----------|--------------|
| SIZE | DWG. NO. | REV. |
| A | 6500-453 | B |
| Scale: None | | SHEET 1 OF 1 |