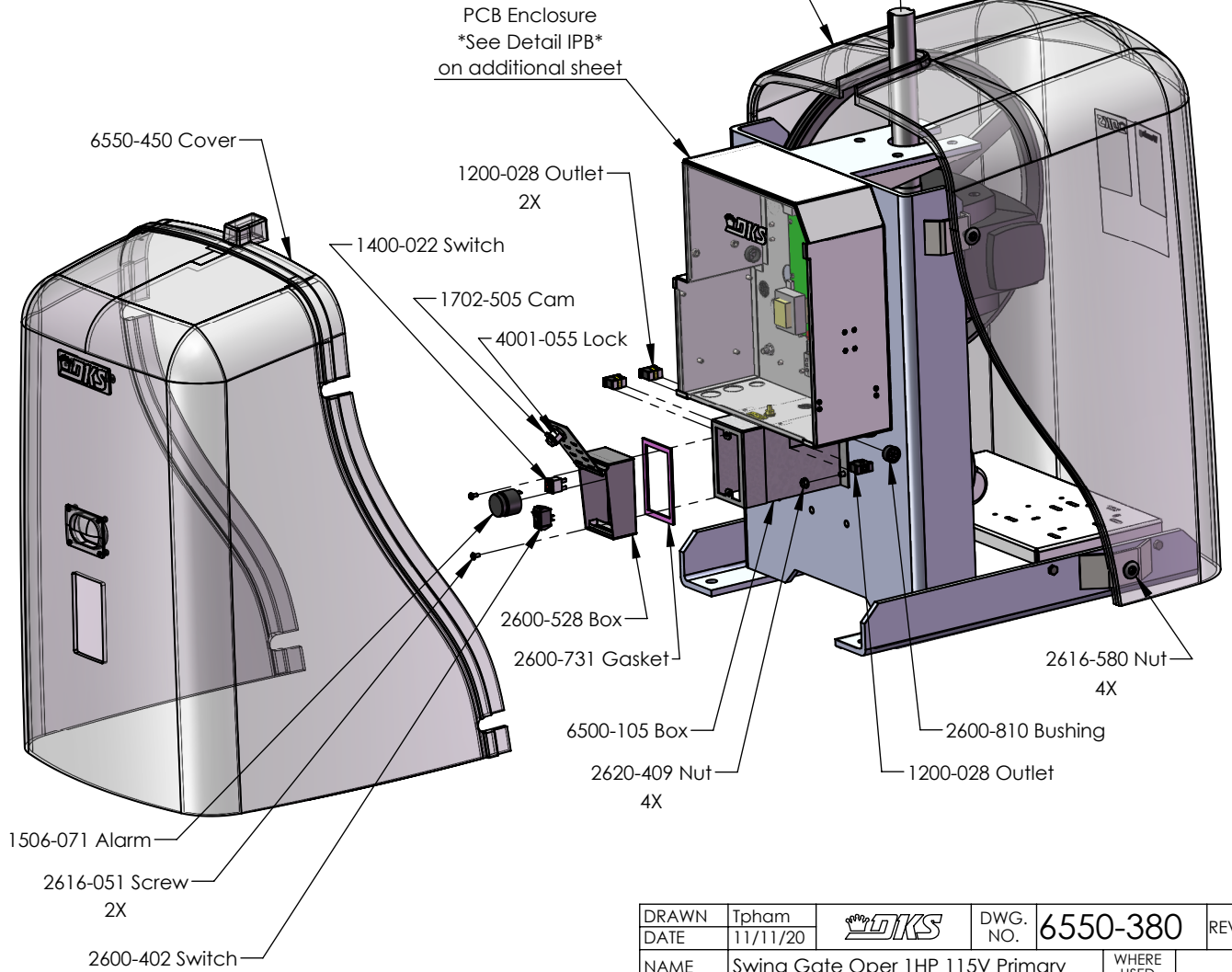
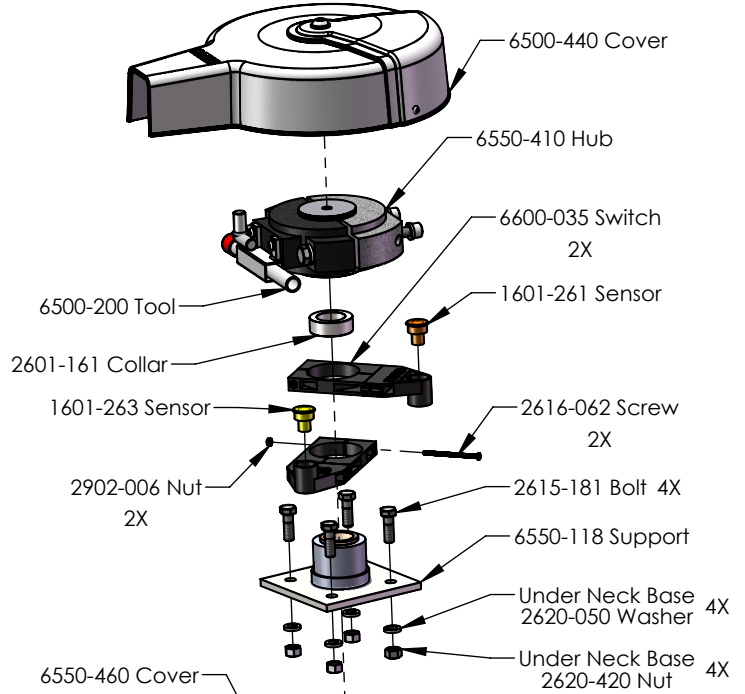


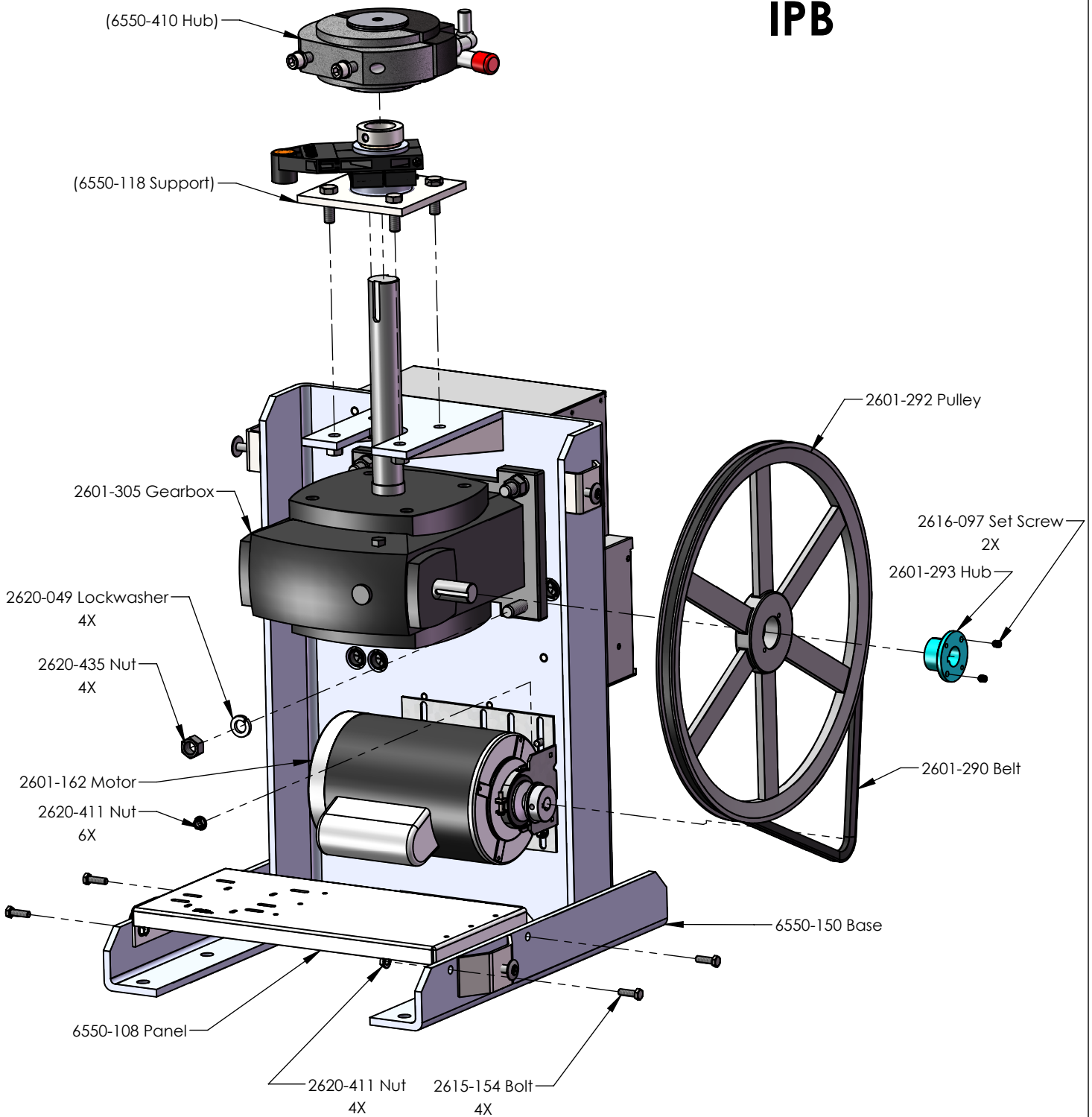
REVISIONS			
REV.	DESCRIPTION	DATE	APPROVED
A	New Product Release	08/29/18	PSK
B	New Control Box Cover 6500-006	08/10/20	PSK
C	Update IPB Completely; 2600-810 Bushing Qty 10 was 12; Removed 2601-300 Pulley 2"; Added 2601-355 Spacer 2X; Added 2616-000 Screw 4X; Removed 2616-001 Screw 2X; 2616-002 Screw Qty 2 was 8; 2616-003 Screw Qty 6 was 4; Removed 2616-007 Screw 2X; Removed 2616-052 Screw 2X; 2616-062 Screw 2X replaced 2616-060 Screw 2X; Removed 2620-023 Washer 4X; Removed 2902-004 Nut 4X; 2902-006 Nut Qty 2X was 4X; 6500-005 Screen replaced 6500-006 Screen; Added 6500-440 Cover; 6550-118 Support replaced 6550-117 Support; 6550-380IPB replaced 6550-880IPB; 6600-035 Holder 2X replaced 6600-030&6600-032;	12/09/20	Tpham

Front View IPB



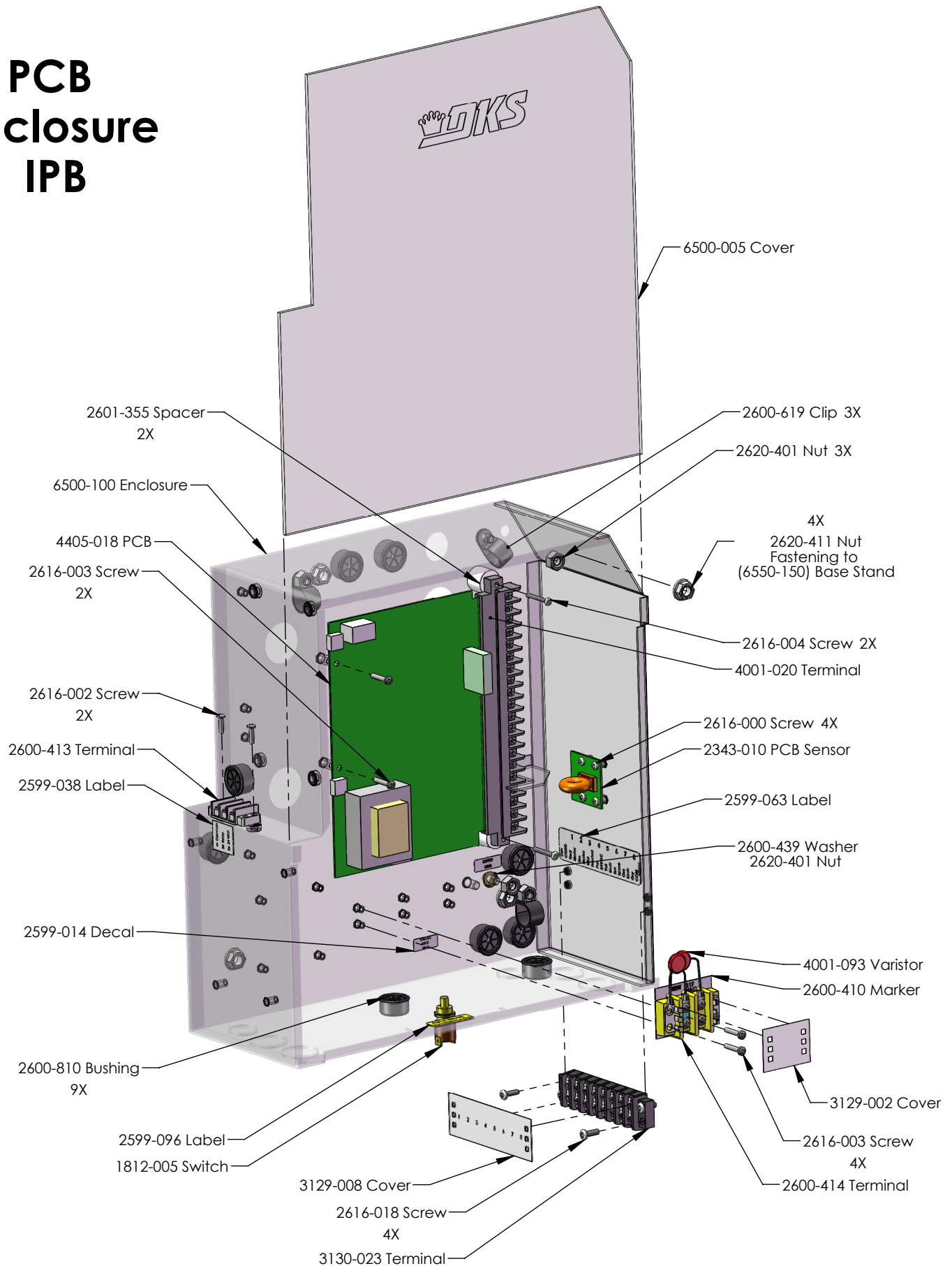
DRAWN	Tpham		DWG. NO.	6550-380	REV.	C
DATE	11/11/20		NAME	Swing Gate Oper 1HP 115V Primary	WHERE USED	
<small>PROPRIETARY & CONFIDENTIAL: The information contained in this drawing is the sole property of DoorKing, Inc. Any reproduction in part or as a whole without written permission of DoorKing, Inc. is prohibited.</small>						
DO NOT SCALE TO DRAWING		SHEET SIZE	A	SCALE: 1:50	SHEET 1 OF 4	

Back View IPB



DRAWN	Tpham		DWG. NO.	6550-380	REV.	C
DATE	11/11/20		NAME	Swing Gate Oper 1HP 115V Primary	WHERE USED	
<small>PROPRIETARY & CONFIDENTIAL: The information contained in this drawing is the sole property of DoorKing, Inc. Any reproduction in part or as a whole without written permission of DoorKing, Inc. is prohibited.</small>						
DO NOT SCALE TO DRAWING			SHEET SIZE	A	SCALE: 1:50	SHEET 2 OF 4


PCB Enclosure IPB



DRAWN	Tpham		DWG. NO.	6550-380	REV.	C
DATE	11/11/20		NAME	Swing Gate Oper 1HP 115V Primary	WHERE USED	
<small>PROPRIETARY & CONFIDENTIAL: The information contained in this drawing is the sole property of DoorKing, Inc. Any reproduction in part or as a whole without written permission of DoorKing, Inc. is prohibited.</small>						
DO NOT SCALE TO DRAWING		SHEET SIZE	A	SCALE: 1:50	SHEET 3 OF 4	

PartNo	Description	QTY.
1200-028	Outlet Snap In Leviton 1306	3
1400-022	Switch Push Button SnapIn Red	1
1506-071	Tone Generator Alarm Loud	1
1601-261	Switch Mag Sensor Rec Orange	1
1601-263	Switch Mag Sensor Reces Yellow	1
1702-505	Cam 9/16"	1
1812-005	Switch Push Button N.O.	1
2343-010	PCB Current Sensor	1
2599-006	Label Ground	1
2599-014	Decal Copper Wire Only	1
2599-038	Label Radio 9310	1
2599-063	Label 6500 8 Terminal Master-Slave	1
2599-096	Label Push to Operate	1
2599-100	Sign Warning Gate (not shown on drawing)	2
2599-220	Label Caution Remove Rod (not shown on drawing)	1
2600-402	Switch Rocker ON/OFF SnapIn SP	1
2600-410	Marker Strip Silkscn Both Side	1
2600-413	Terminal Block 3 Position	1
2600-414	Terminal Block 2 Position	1
2600-439	Washer Brass Ground	1
2600-528	Switches and Alarm Box	1
2600-619	Wire Clip .625	3
2600-731	Gasket Switch Cover	1
2600-810	Bushing 7/8 Poke Thru Flaps	10
2601-161	Collar 1 1/2" ID	1
2601-162	Motor Assy 1HP Model 6550	1
2601-290	Belt - 62" BX-62	1
2601-292	Pulley 18 3/4" Cast Iron BK190H	1
2601-293	Hub 1" Dia for Pulley 18 3/4"	1
2601-305	Gearbox Sw Gate 6550	1
2601-355	Spacer Nylon 5/8"L x 3/8"ID	2
2615-154	Bolt Hex Head 5/16-18x1	4
2615-181	Bolt Hex Head 1/2-13 x 1 1/2	4
2616-000	Screw Phillips Head 6-32x1/4	4
2616-002	Screw Phillips Head 6-32x1/2	2
2616-003	Screw Phillips Head 6-32x3/4	6
2616-004	Screw Phillips Head 6-32 x 1.0	2
2616-018	Screw Phillips Head 8-32 x 1/2	4
2616-051	Screw Phillips 10-32x3/8	2
2616-062	Screw Phillips Head 10-32 x 3.0 Zinc	2
2616-097	Set Screw 5/16-18x3/8	2
2616-438	Screw Hex 8-32 x 1/4" (not shown on drawing)	1
2616-580	Nut Barrel 5/16-18 Thread	4
2620-049	Lockwasher 5/8"	4
2620-050	Lockwasher 1/2	4
2620-401	Nut Hex 8-32	4
2620-409	Nut Hex Flange Lock 1/4-20	4
2620-411	Nut Hex Flange Lock 5/16-18	14
2620-420	Nut Hex 1/2-13	4
2620-435	Nut Hex 5/8-11	4
2902-006	Nut Nylon Locking 10-32	2

PartNo	Description	QTY.
3129-002	Terminal Block Cover 2 Position	1
3129-008	Terminal Block Cover 8 Position	1
3130-023	Terminal Strip 8 Dual Row Screw	1
4001-020	Terminal 20 Pin	1
4001-055	Lock Cabinet 10025 180deg 16001	1
4001-093	MOV Assembly 130VAC Varistor	1
4405-018	PCB Gate Operator	1
6500-005	Cover Plastic Screened 6500	1
6500-043	Wire Set for 6500 Operator (not shown on drawing)	1
6500-100	Box Control Swinger	1
6500-105	Bracket Switch Box-Tfmr Mount	1
6500-200	Tool-Hub Clutch Release	1
6500-440	Cover Turet Assembly	1
6550-065	Manual Install. Swing Gate (not shown on drawing)	1
6550-108	Panel Transformer Heater	1
6550-118	Collar Bushing 2.75 OD Assy	1
6550-150	Base Stand Swinger 6550	1
6550-410	Hub Assembly 1HP	1
6550-450	Cover Front w/Handle	1
6550-460	Cover Back with Labels	1
6600-035	Limit Switch Single Sensor	2
9402-053	Tubing Flex/split 1/4OD (not shown on drawing)	2.00
9402-055	Tubing Flex Split 1/2" (not shown on drawing)	0.20

DRAWN	Tpham		DWG. NO.	6550-380	REV.	C
DATE	11/11/20		NAME	Swing Gate Oper 1HP 115V Primary	WHERE USED	
PROPRIETARY & CONFIDENTIAL: The information contained in this drawing is the sole property of DoorKing, Inc. Any reproduction in part or as a whole without written permission of DoorKing, Inc. is prohibited.						
DO NOT SCALE TO DRAWING		SHEET SIZE	A	SCALE: 1:50	SHEET 4 OF 4	