

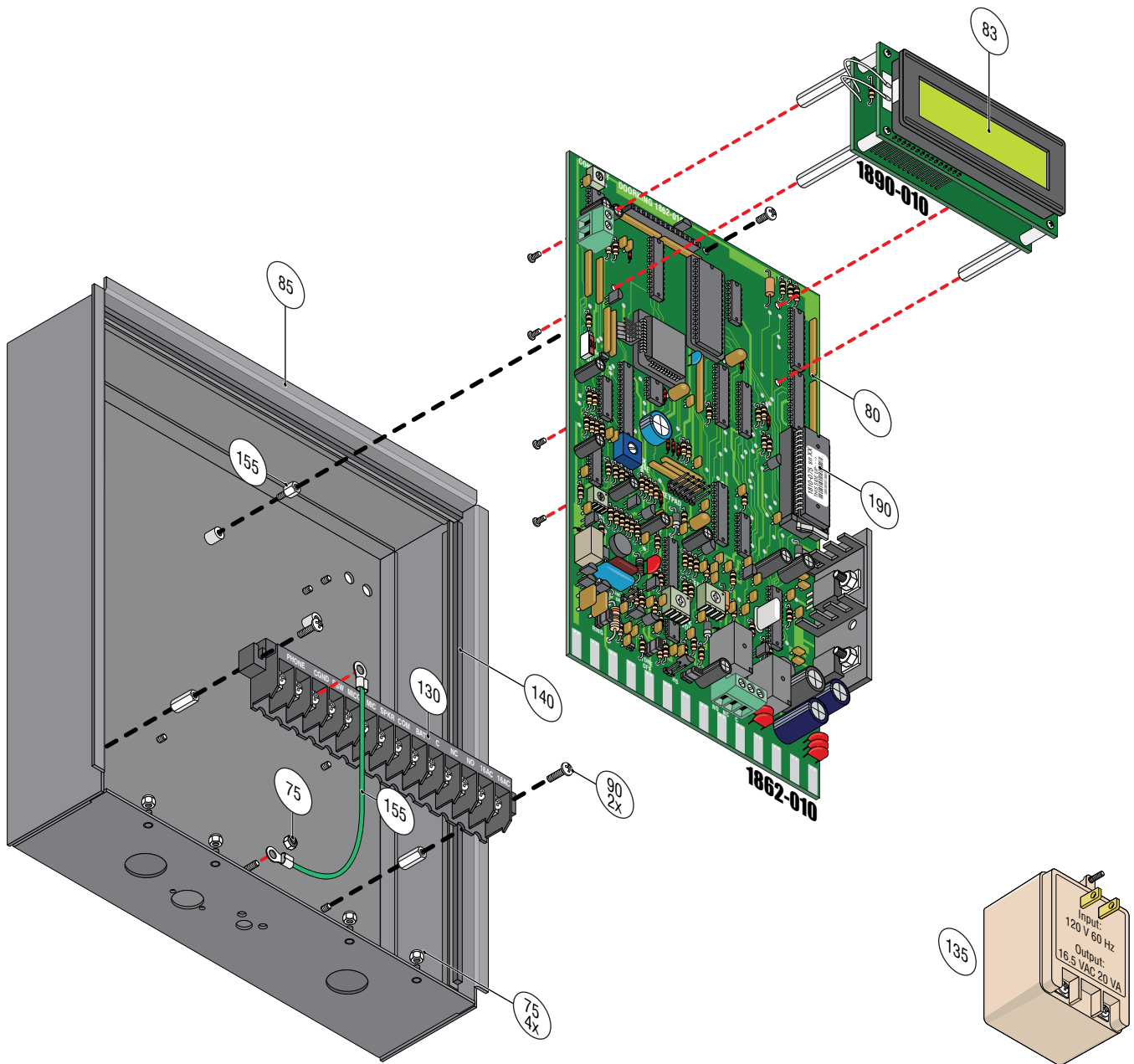
ILLUSTRATED PARTS BREAKDOWN - IPB

Bill of Materials - BOM

**1803 Flush Mount
1803-084**

Item	Part Number	Description	Quantity	UM
10	1804-004	Cover Lexan Clr 3.75x.85x.125	1	EA
15	1804-023	Decal FCC	1	EA
25	1803-052	Faceplate Phone	1	EA
26	2600-734	Nameplate Plastic DKS Small	1	EA
27	2802-040	Washer Push on Clamp	2	EA
28	1897-050	Rubber O Tensioner for Logo	2	EA
30	1804-042	Hole Plug	1	EA
	1800-060	Manual - Installation	1	EA
35	1400-009	Decal Identification	1	EA
40	1804-039	Retaining Strip Keypad	2	EA
45	1895-017	Keypad 10 Pin Numbers Header	1	EA
47	1804-038	Wire Ribbon Cable Assy 10 Cond	1	EA
50	2599-008	Label Patent	1	EA
52	1897-053	Gasket, Microphone	1	EA
55	4001-035	Lock N16058BDxSFx2K Key 16120	2	EA
56	1702-501	Cam 7/8"	2	EA
59	1998-010	PCB Microphone Short, SMT	1	EA
60	1997-190	Wire Harness Assy Microphone	1	EA
65	2902-006	Nut Nylon Lock 10-32	2	EA
70	2902-002	Nut Nylon Lock 4-40	6	EA
75	2902-003	Nut Nylon Lock 6-32	13	EA
80	1862-010	PCB Telephone 2 Relay	1	EA
83	1890-010	PCB Display LCD 8x1 Line	1	EA
85	1814-101	Box Phone Flush	1	EA
90	2905-003	Screw Round Head 6-32 x 1/2"	2	EA
95	1804-015	Screw Philips Nylon 6-32 x3/8"	4	EA
100	2905-001	Screw Round Head 6-32 x 1/4"	2	EA
105	3002-004	Spacer Nylon 6 x 7/16"	2	EA
110	1804-290	Speaker Assembly	1	EA
113	1860-032	Washer Nylon Retaining #6	4	EA
120	1814-034	Subplate Phone	1	EA
125	1804-024	Switch Micro No NC C	1	EA
130	1802-031	Terminal 14 Pin	1	EA
135	1804-060	Transformer 16.5 VAC 20VA plug	1	EA
140	1800-018	Weather Strip .125"x .187"	2	FT
145	7080-001	Wire 22" Blue	1	EA
150	7080-002	Wire 22" White	1	EA
155	7082-059	Wire 8.5" Green 18 AWG Strd	1	EA
165	1804-028	Mount Wire Clip	2	EA
170	1804-031	Tie Wrap 4"	6	EA
180	3002-021	Spacer Nylon 6 x 3/8"	4	EA
185	9402-053	Tubing Flex/slit 1/40D	18	IN
190	1810-075	Memory 1000 Phone Numbers	1	EA
195	1876-025	Ferrite Snap-on Filter Steward	1	EA
210	4001-034	Lock N16058BDxSFx2K Key Random	1	EA
??	2600-884	Label E.T.L. Separable	1	EA (Not on BOM)

1803 Flush Mount - Enclosure



1803 Flush Mount - Faceplate

