

QUICKSTART "BASIC" GUIDELINES FOR MODEL 9000 - FRONT INSTALLATION MOUNTED ON A CONCRETE PAD "FULL OPEN"

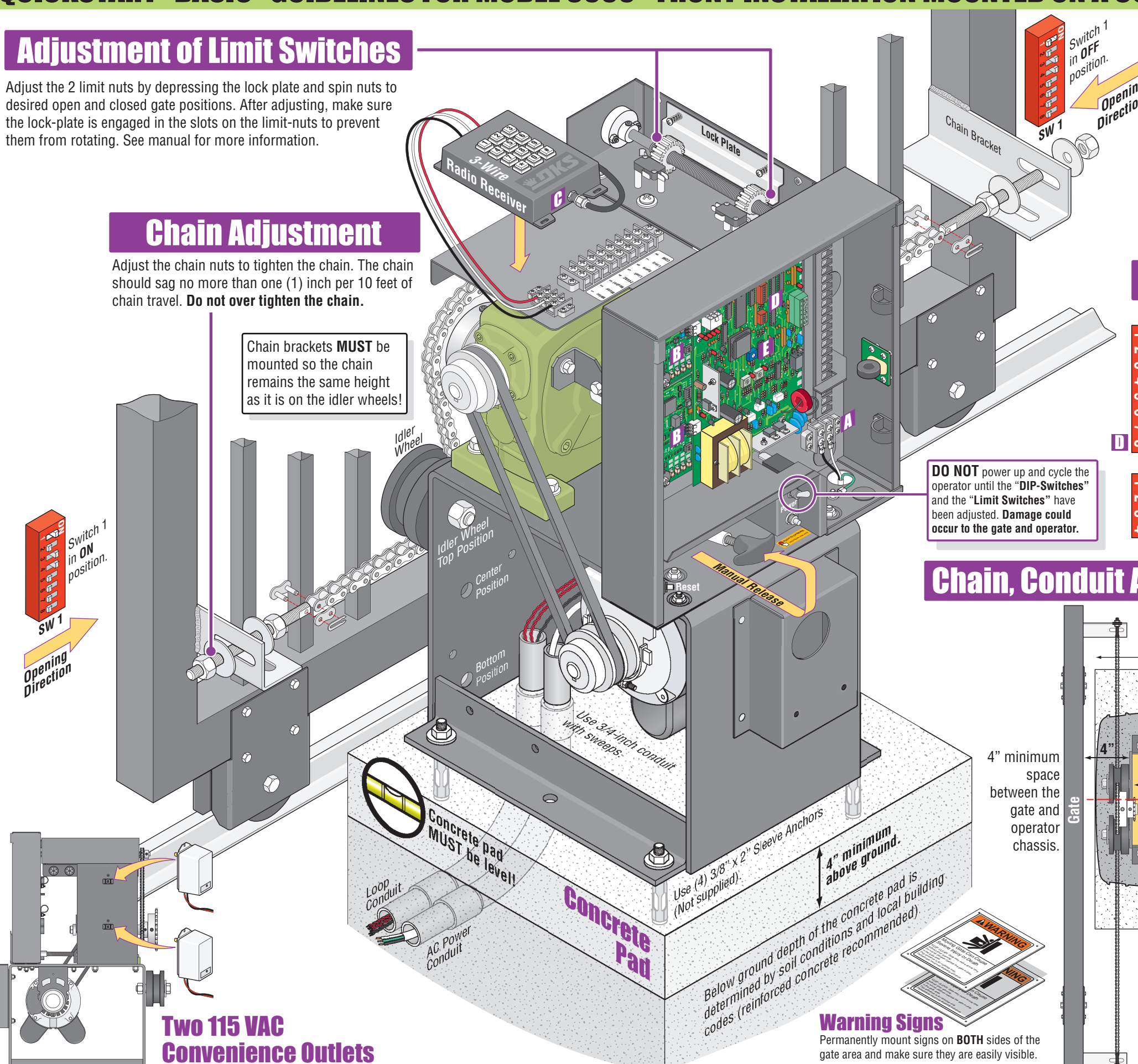
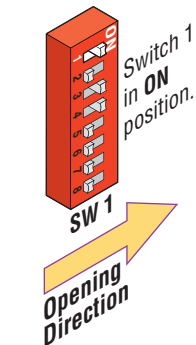
Adjustment of Limit Switches

Adjust the 2 limit nuts by depressing the lock plate and spin nuts to desired open and closed gate positions. After adjusting, make sure the lock-plate is engaged in the slots on the limit-nuts to prevent them from rotating. See manual for more information.

Chain Adjustment

Adjust the chain nuts to tighten the chain. The chain should sag no more than one (1) inch per 10 feet of chain travel. **Do not over tighten the chain.**

Chain brackets **MUST** be mounted so the chain remains the same height as it is on the idler wheels!



Model 9000 is intended for installation only on sliding gates used for vehicles. Pedestrians must be supplied with a separate access opening. For complete safety, installation and adjustment of operator instructions, please refer to the Series 9000 Installation/Owner's manual.

DIP-Switches

Typical Single Operator Settings

- | | | |
|---|-----|---|
| 1 | ON | 1. Opening Direction (See Illustration) |
| 2 | OFF | 2. OFF |
| 3 | ON | 3. ON |
| 4 | ON | 4. ON → Auto-Close Timer |
| 5 | OFF | 5. OFF |
| 6 | OFF | 6. OFF |
| 7 | OFF | 7. OFF |
| 8 | OFF | 8. OFF |
- SW 1
- | | | |
|---|-----|--------|
| 1 | OFF | 1. OFF |
| 2 | OFF | 2. OFF |
| 3 | ON | 3. ON |
| 4 | OFF | 4. OFF |
- SW 2



DO NOT power up and cycle the operator until the "DIP-Switches" and the "Limit Switches" have been adjusted. **Damage could occur to the gate and operator.**

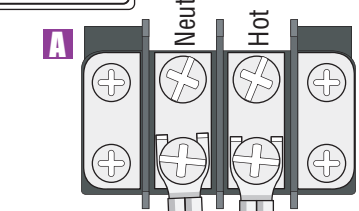
UL 325 August 2018 Standard

High Voltage Connection

GATE OPERATOR MUST BE PROPERLY GROUNDED!!
Tip: It is recommended that a surge suppressor be installed on the input high voltage power line.

DANGER HIGH VOLTAGE

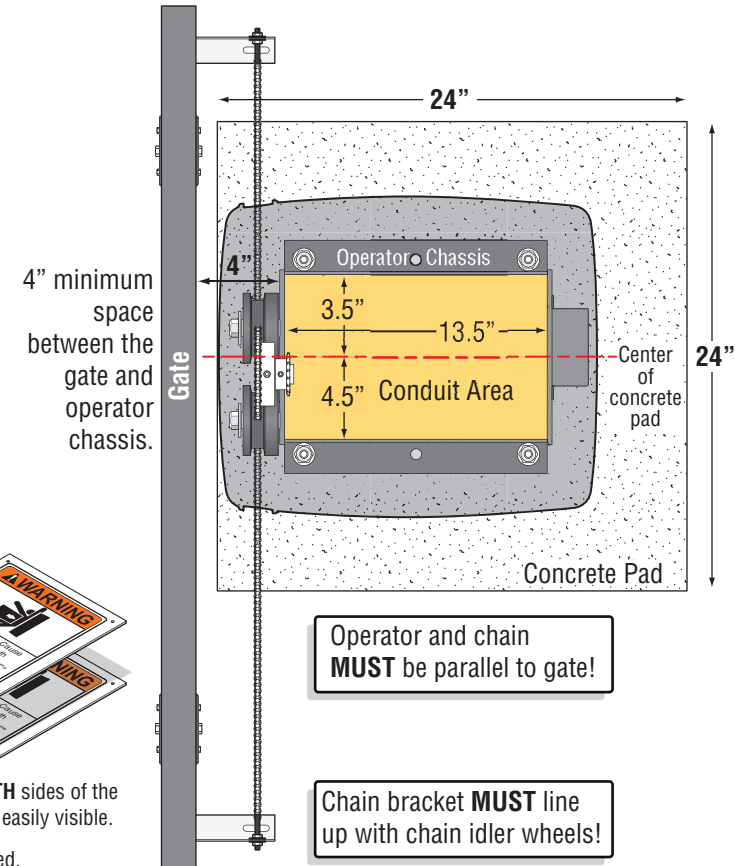
115 VAC



Note: "Optional" High Voltage Kit black and white wires connect the same as shown. See High Voltage Kit instruction sheet for more information.

Input Power Line:
White - Neutral
Black - 115 VAC Hot
Green - Chassis Ground

Chain, Conduit Area and Concrete



Operator and chain **MUST** be parallel to gate!

Chain bracket **MUST** line up with chain idler wheels!

Loop Detectors

B Not included - Refer to the Installation/Owner's manual for more information about DoorKing's Plug-In loop detectors. DoorKing **highly** recommends that loops and loop detectors are installed with this slide gate operator. DoorKing offers a free "Loop and Loop-Detectors Information Manual" PDF located at DoorKing's web site for more information. www.doorking.com

Radio Receiver

C Not included - Refer to a specific Radio Receiver Manual (available from www.doorking.com) for more information on radio receivers and antenna installation. (See reverse side for wiring)

Entrapment Protection must be provided for the gate system where the risk of entrapment or obstruction exists. The operator will NOT run without one or more monitored type B1 or B2 external entrapment protection devices in EACH direction of gate travel (minimum of 2 external devices required). See manual for more information.

Two 115 VAC Convenience Outlets

For access control and safety device AC power.

Warning Signs

Permanently mount signs on **BOTH** sides of the gate area and make sure they are easily visible.

QUICKSTART "BASIC" GUIDELINES FOR MODEL 9000 - DIP-SWITCH AND WIRING REFERENCE

UL 325 August
2018 Standard



120 S. Glasgow Avenue
Inglewood, California 90301
U.S.A.

Model 9000 is intended for installation only on slide gates used for vehicles.
Pedestrians must be supplied with a separate access opening.

For safety and installation instructions, please refer to the Installation/Owner's manual.

SW 1 DIP-Switches

Switch	Function	Setting	Description
1	Primary Operator Opening Direction	Opening direction using ON setting.	Changes direction operator will cycle open upon initial AC power up and open command.
		Opening direction using OFF setting.	
2	Secondary Operator Opening Direction	Opening direction using ON setting.	Changes direction operator will cycle open upon initial AC power up and open command.
		Opening direction using OFF setting.	
3	Exit Loop Port Output	OFF	The output wired to terminal #4 becomes the output from the exit loop detector plugged into the EXIT Loop port.
	Full Open Input	ON	Normal Setting. Terminal #4 is a normal full open input.
4	Auto-Close Timer	OFF	Auto-close timer is OFF. Manual input required to close gate.
		ON	Normal Setting. Auto-close timer is ON. Adjustable from 1-23 seconds.
5	Reverses Gate	OFF	Normal Setting. Input to terminal #6 and reverse loop will reverse gate during close cycle.
	Stops Gate	ON	Input to terminal #6 and/or reverse loop will stop gate during close cycle – gate will continue to close after input to terminal #6 and/or reverse loop are cleared (Helps prevent tailgating).
6	Single Operator	OFF	Normal Setting. Switch must be OFF for single operator.
	Dual Operators	ON	Switch must be ON when primary/secondary (dual) gates are used.
7 and 8	Relay	7-OFF 8-OFF	Normal Setting. Relay activates when gate is at open limit.
		7-OFF 8-ON	Relay activates when gate is not closed.
		7-ON 8-OFF	Relay activates when gate is opening and open.
		7-ON 8-ON	Relay activates during opening and closing cycle.

Note: After a DIP-switch setting is changed, power must be turned OFF and then turned back on for the new setting to take affect.

SW 2 DIP-Switches

Switch	Function	Setting	Description
1	Quick-Close Timer Override	OFF	Normal Setting. Timer will function normally.
		ON	Opening gate will stop and begin to close as soon as all reversing inputs (Reverse loops, photo sensors) are cleared regardless of the distance the gate has opened.
2	Magnetic lock	OFF	Normal Setting. Magnetic lock is not used.
		ON	Magnetic lock is used and connected to terminals 9 and 12.
3		ON	Normal Setting. Switch 3 MUST be turned ON for Model 9000 operator.
4		OFF	Normal Setting. Switch 4 MUST be turned OFF for Model 9000 operator.

Important: Controls intended for user activation must be located at least six (6) feet away from any moving part of the gate and where the user is prevented from reaching over, under, around or through the gate to operate the controls. Emergency access controls only accessible by authorized personnel (e.g., fire, police, EMS) may be placed at any location in the line-of-sight of the gate.

