

LED TRAFFIC LIGHT AND MOUNTING KIT

DoorKing Part Numbers

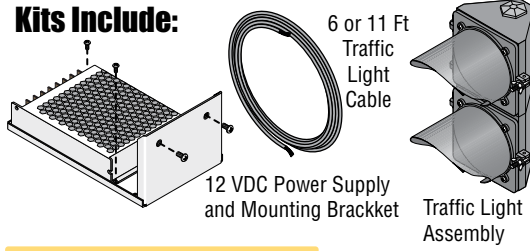
1603-221
6 Ft Cable/No Post

1603-222
6 Ft Cable/35" Post

1603-223
11 Ft Cable/95" Post

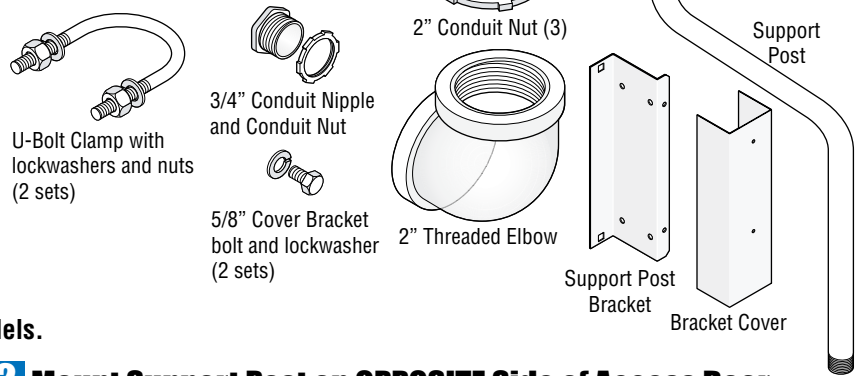
These kits are designed for the 1600 model barrier gate operators. Recommended for the 1603 auto spike system. The traffic signal is synchronized with the gate operator's up/down cycle. The red LED light stays on and only changes to the green LED when the operator's arm is fully raised.

Kits Include:



Support Post Hardware:

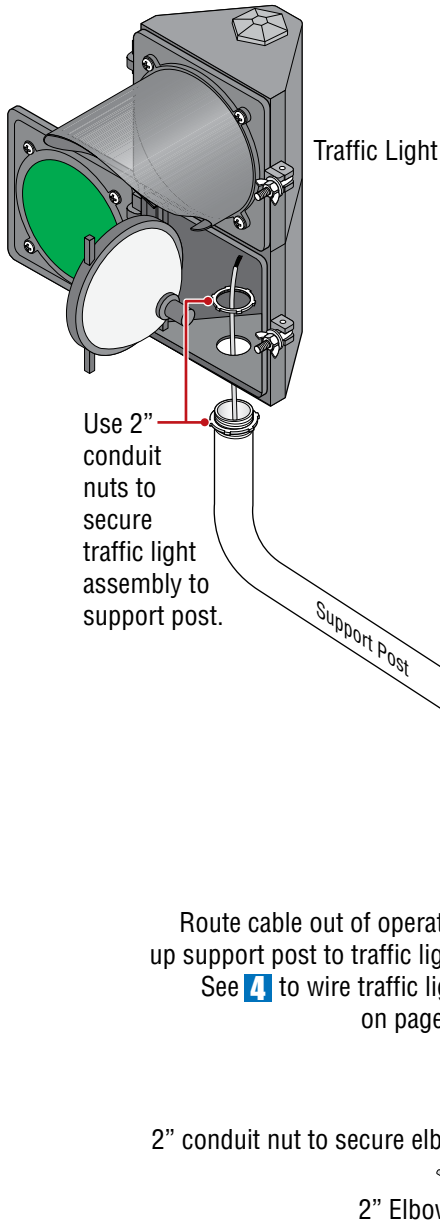
Kit P/Ns 1603-222 & 1603-223



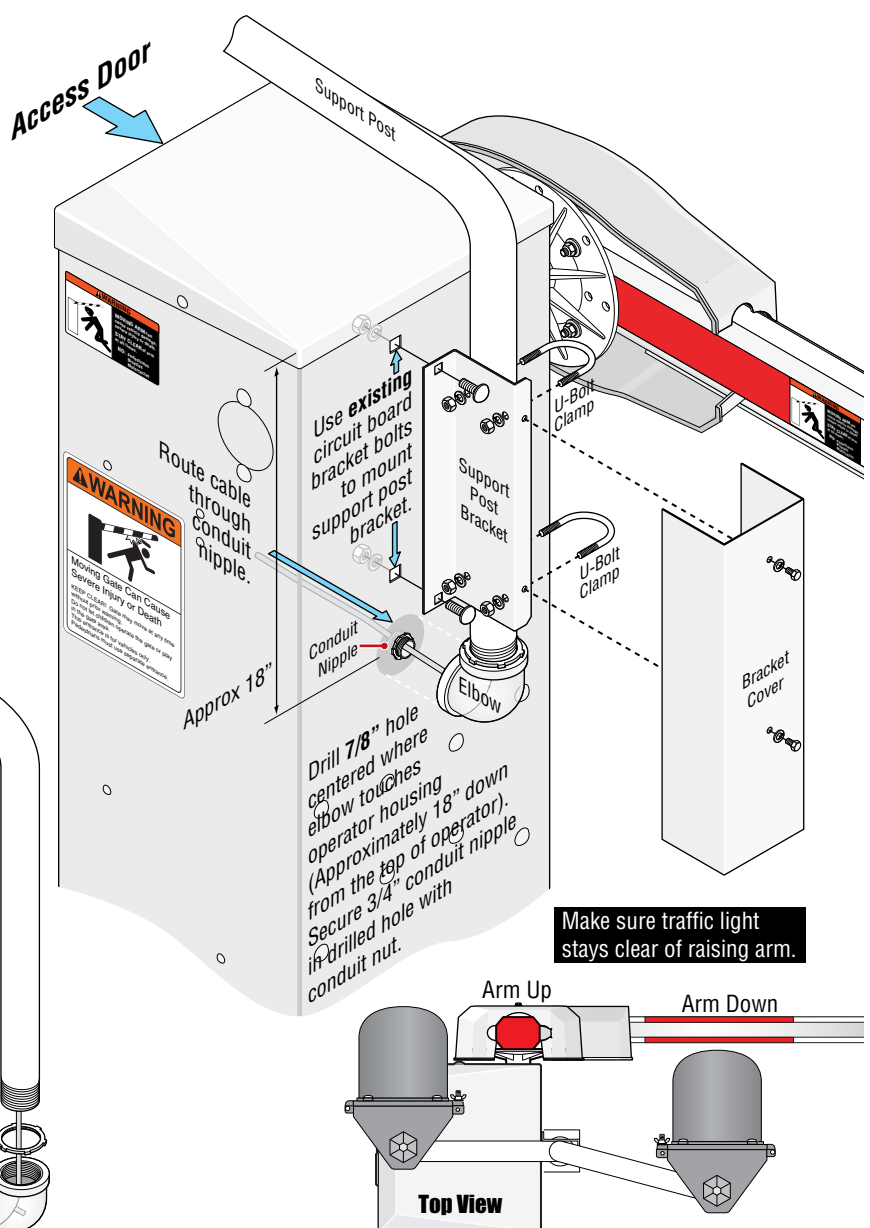
Installation

⚠ Shut off AC power to operator.
Turn off DC power switch on certain models.

1 Assemble Support Post



2 Mount Support Post on OPPOSITE Side of Access Door



Route cable out of operator, up support post to traffic light.
See **4** to wire traffic light on page 4.

2" conduit nut to secure elbow.

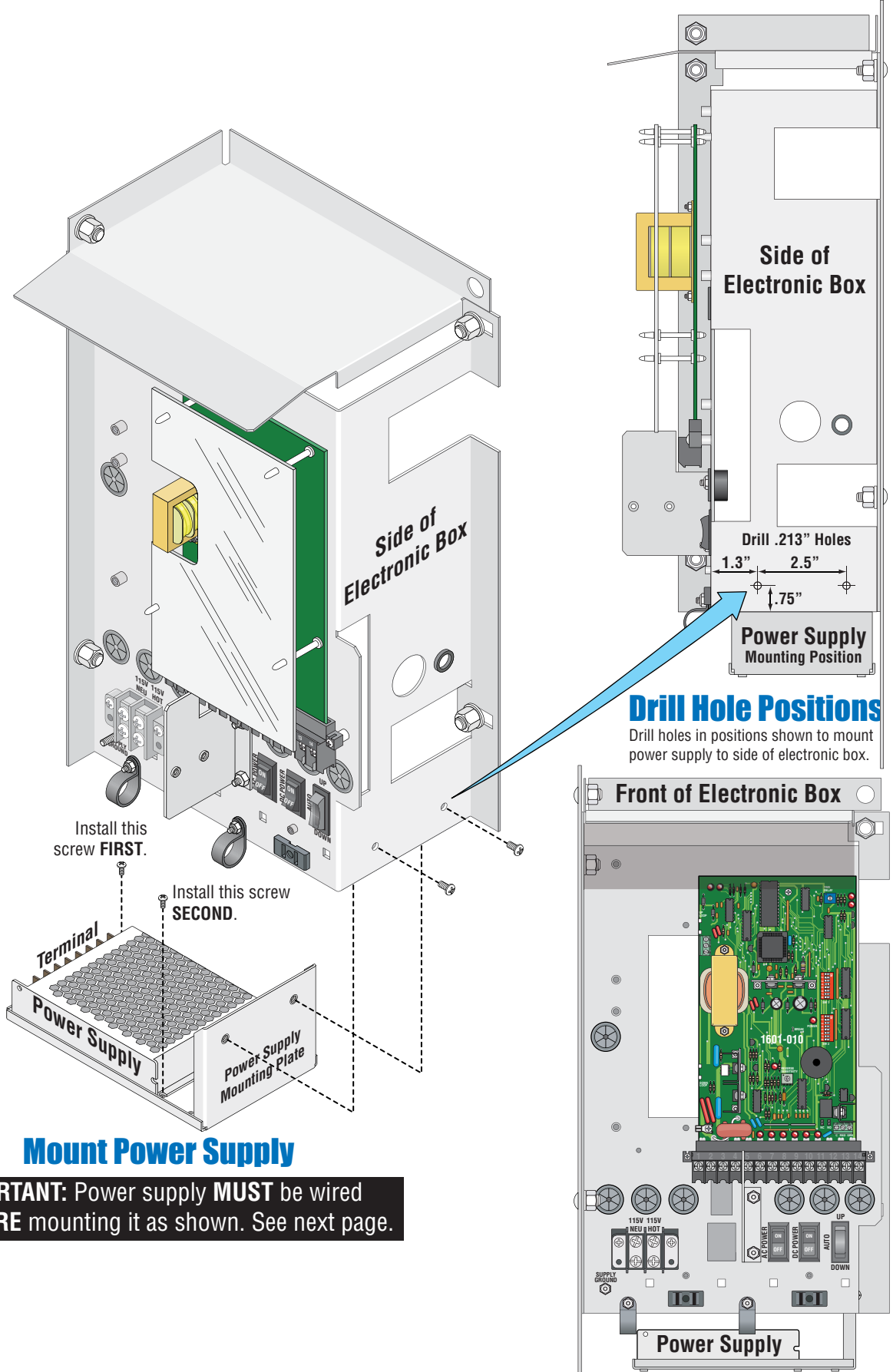
3 Mount Power Supply

DoorKing Part Numbers

1603-221
6 Ft Cable/No Post

1603-222
6 Ft Cable/35" Post

1603-223
11 Ft Cable/95" Post



Mount Power Supply

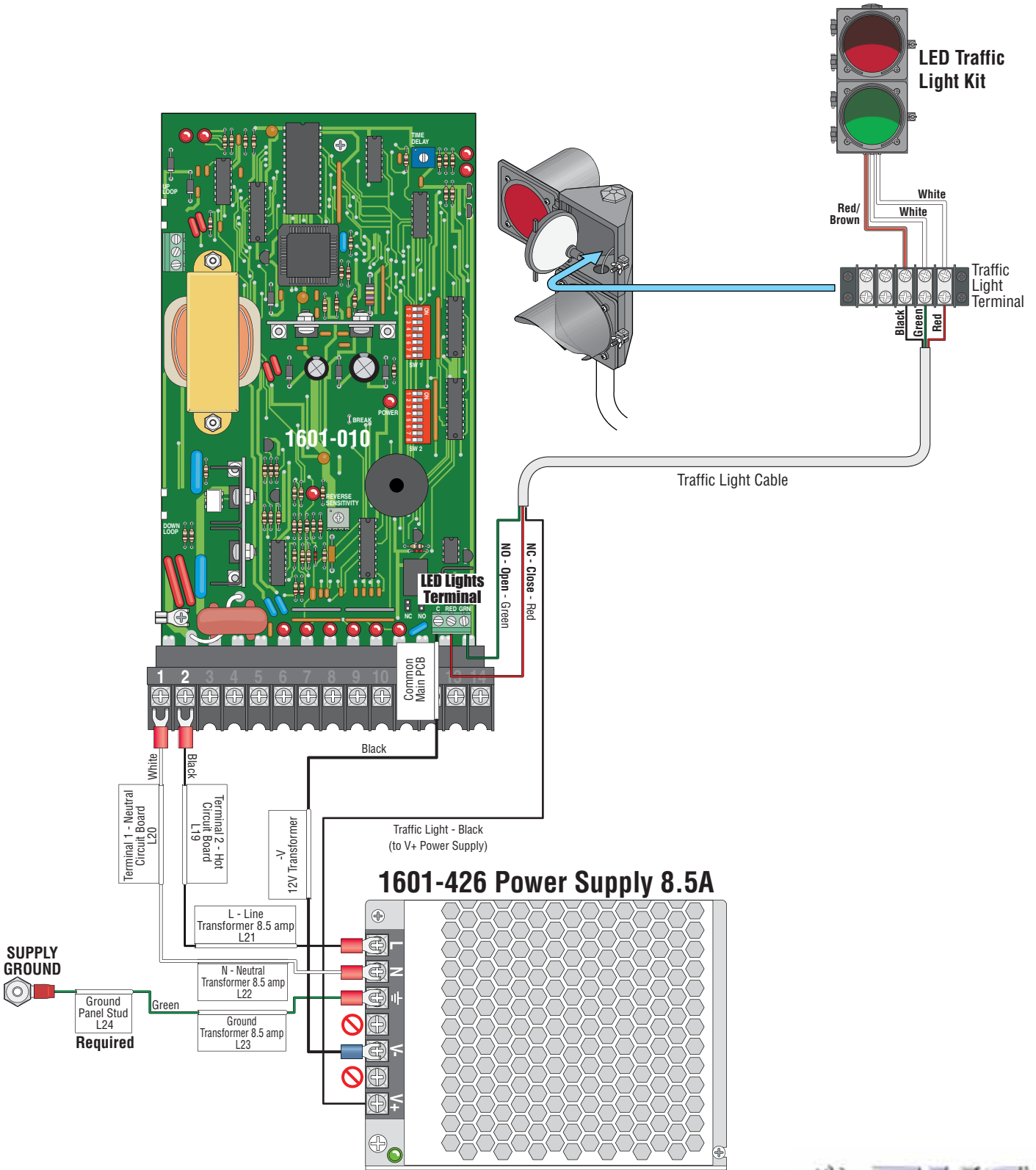
IMPORTANT: Power supply **MUST** be wired **BEFORE** mounting it as shown. See next page.

4 Wire LED Traffic Light to Operator

1603-221
6 Ft Cable/No Post

1603-222
6 Ft Cable/35" Post

1603-223
11 Ft Cable/95" Post



⚠ Keep wire clear of all moving parts.

