

# OCTAGON FOLDING ARM INSTALLATION

This arm is designed **ONLY** for the 1601 and 1603 model barrier gate operators with or without Reverse Edge & LEDs. Recommended for low headroom applications.

DoorKing Part Numbers:

**1601-812**

2-6ft Folding Octagon Arms

**1601-242**

Standard Mount Hardware Kit

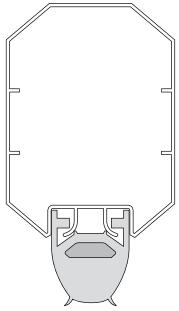
**1601-822**

2-Reverse Edge & LEDs Kit

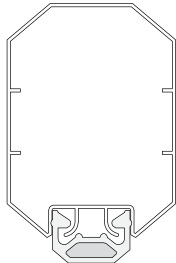
**8080-089**

Rubber Bumper

## General Layout



Reverse Edge & LEDs



Rubber Bumper

Tip: Liquid soap will help edges slide on easier.

## LED Arm Raised - Green Lights



Choose: Reverse Edge & LEDs **OR** Rubber Bumper **OR** Nothing

**IMPORTANT:** Reversing edge **CANNOT** be shorten.

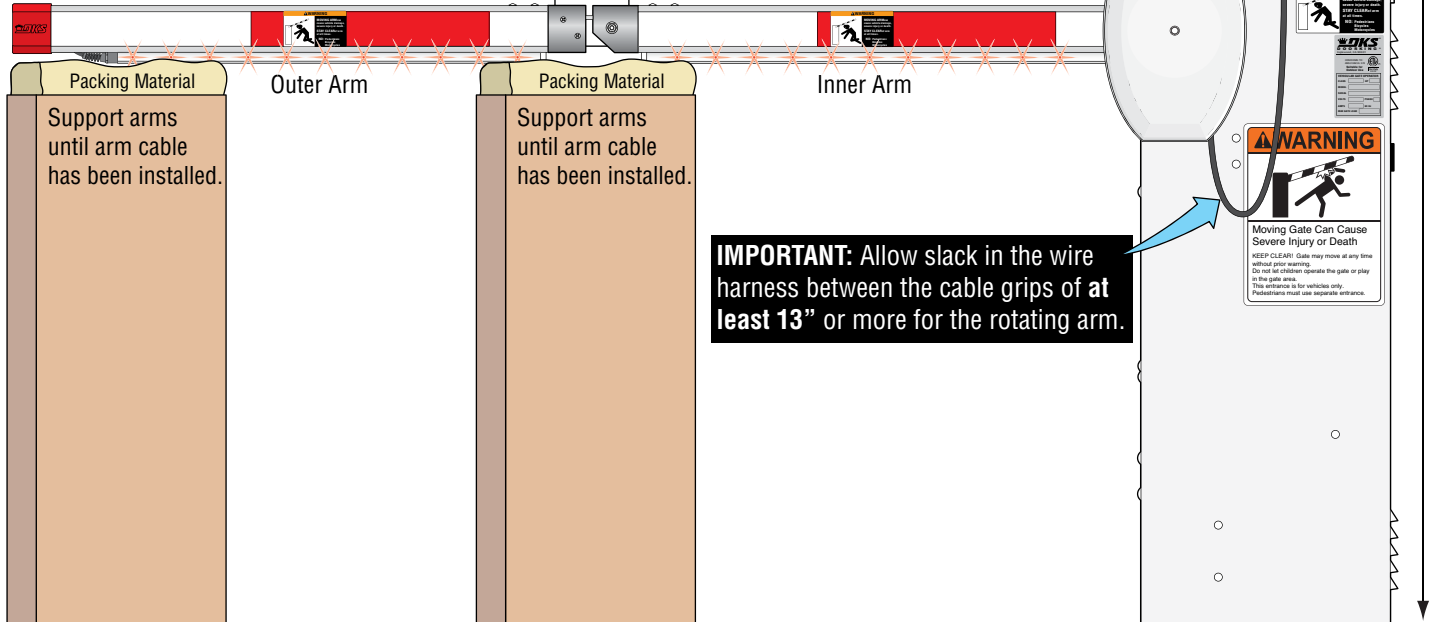
**1601:**  
**109"**

**1603:**  
**113"**

Adjust arm cable with eyebolt and cable clamps to level outer arm in **DOWN** position **ONLY**. **IMPORTANT: DO NOT** adjust arm cable too tight or it will bind when operating.

## LED Arm Lowered - Red Lights

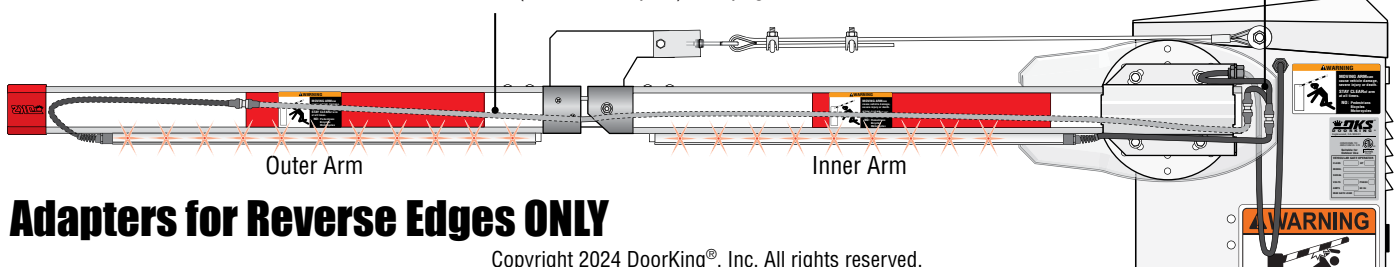
Drawings not to scale



**IMPORTANT:** Allow slack in the wire harness between the cable grips of **at least 13"** or more for the rotating arm.

**1601-391 (17ft Long Adapter)** runs **inside** arms and thru elbow to end of arm where it's connected to 1601-390 (2 into 1 Adapter) See page 4.

**1601-390 (2 into 1 Adapter)**



## Adapters for Reverse Edges ONLY

Copyright 2024 DoorKing®, Inc. All rights reserved.

# Installation Guidelines

DoorKing Part Numbers:

**1601-812**

2-6ft Folding Octagon Arms

**1601-242**

Standard Mount Hardware Kit

**1601-822**

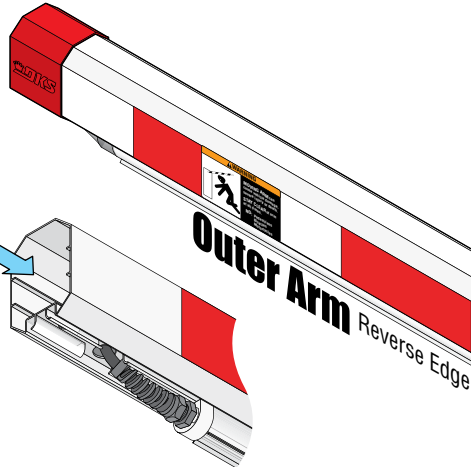
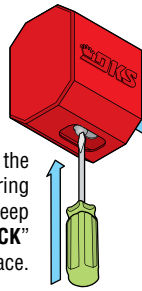
2-Reverse Edge & LEDs Kit

**8080-089**

Rubber Bumper

## End Cap

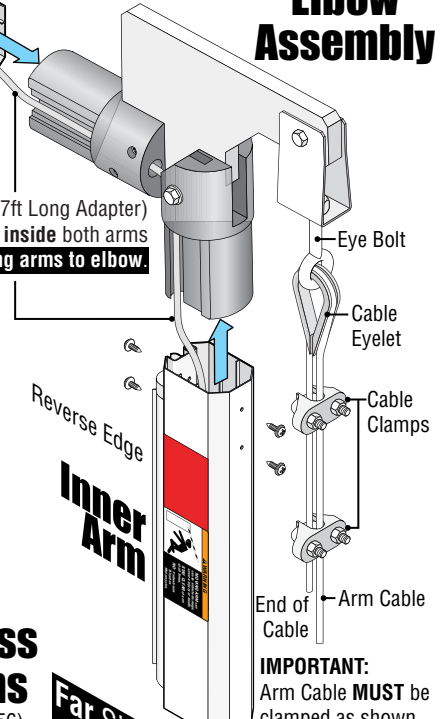
Push a screwdriver through the hole in cap to release spring **while** pushing cap on. Keep pushing cap on until a "CLICK" is heard which locks it in place.



Self-Tapping Screws through Pre-Drilled Holes in Top and Bottom of EACH Arm.

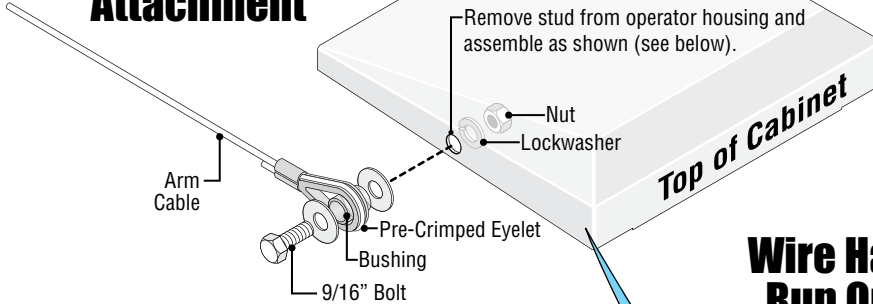
## Elbow Assembly

**IMPORTANT:** Place 1601-391 (17ft Long Adapter) thru elbow and **inside** both arms **BEFORE** securing arms to elbow.



**IMPORTANT:** Arm Cable **MUST** be clamped as shown.

## Folding Arm Cable Attachment



Remove stud from operator housing and assemble as shown (see below).

## Wire Harness Run Options

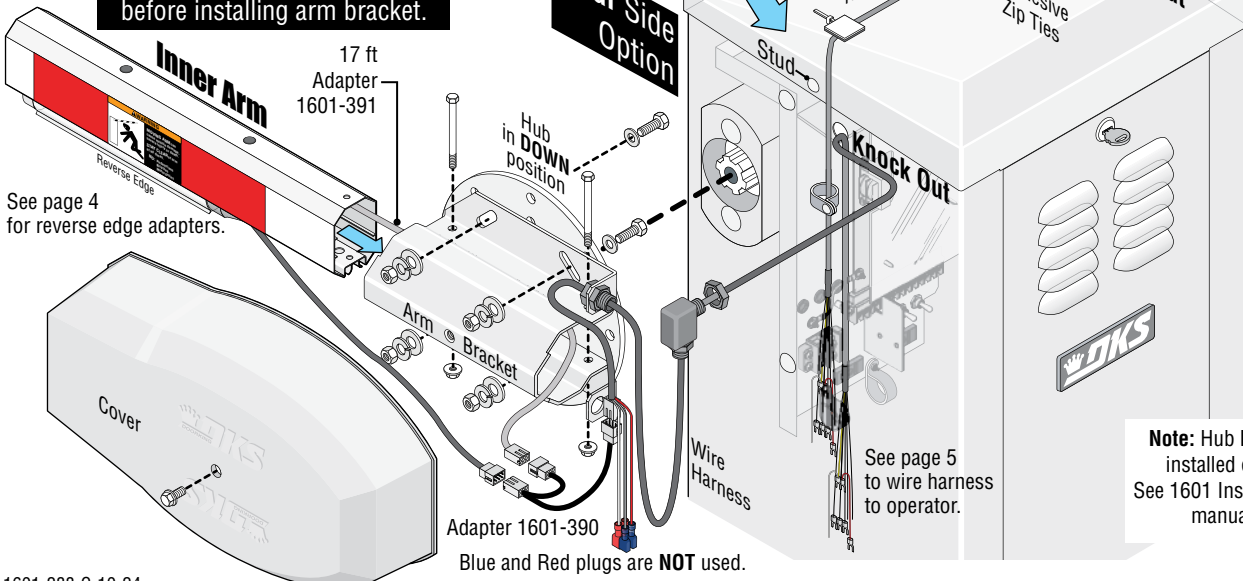
(Wire Harness 1601-356)

**Far Side Option**

## Arm Connection to Operator

Choose which side of the operator the arm is mounted on, remove knock-out and run wire harness accordingly as shown.

**Test hub UP and DOWN position before installing arm bracket.**



See page 4 for reverse edge adapters.

Wire Run Secured to Top of Cabinet for FAR Side Option

Included Adhesive Zip Ties

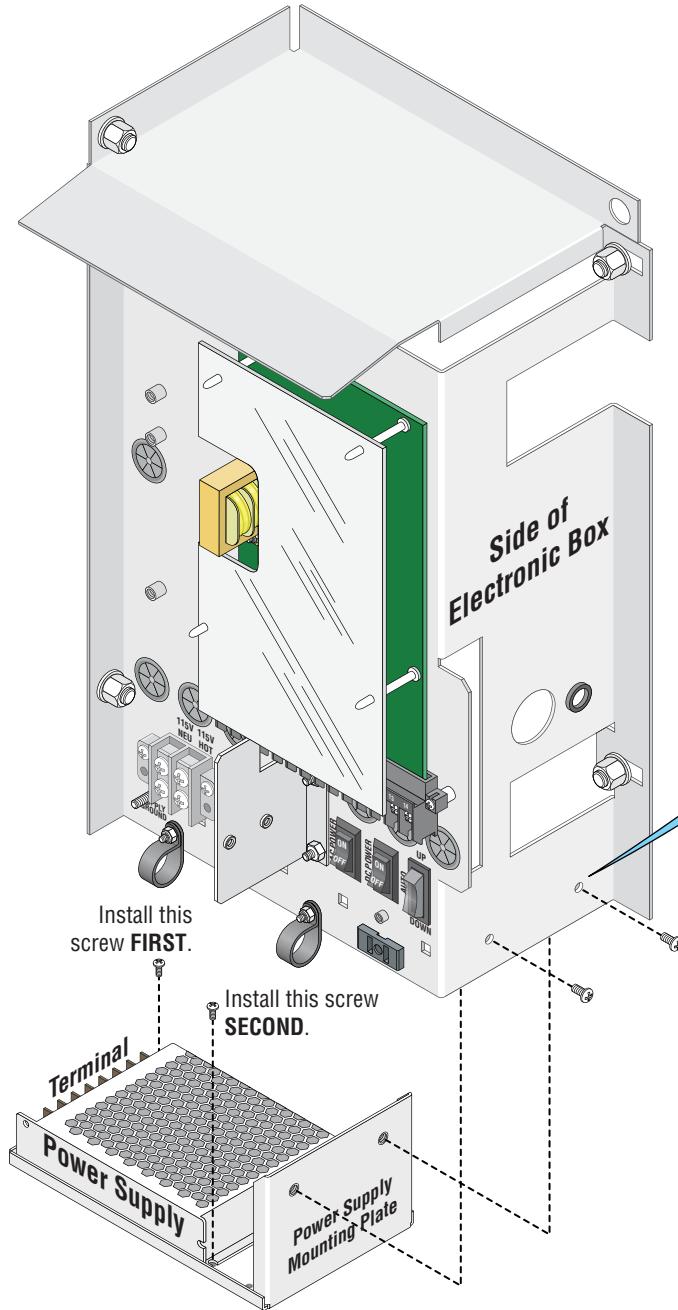
See page 5 to wire harness to operator.

**Note:** Hub **MUST** already be installed on gate operator. See 1601 Installation/Owner's manual for correct hub installation.

Adapter 1601-390  
Blue and Red plugs are **NOT** used.

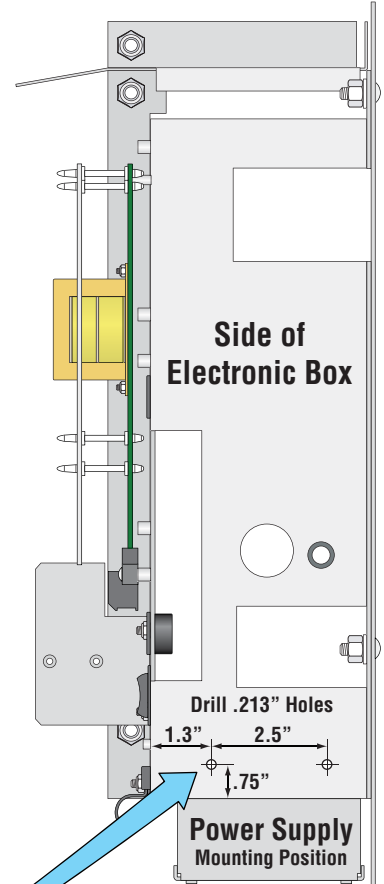
# Mount Power Supply

DoorKing Part Number:  
**1601-822**  
2-Reverse Edge & LEDs Kit



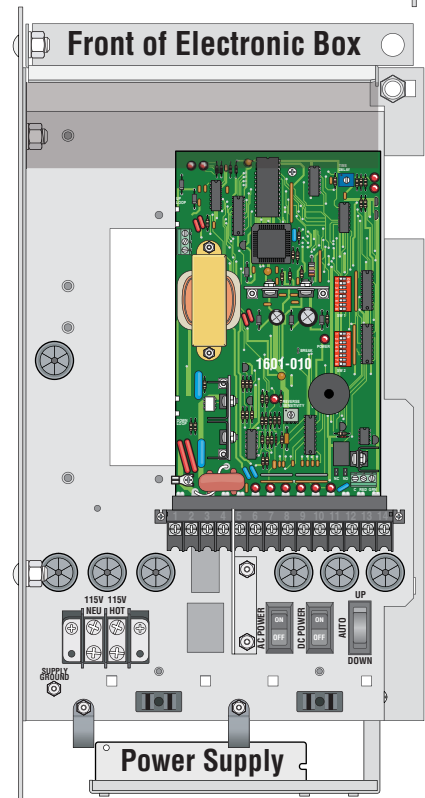
## Mount Power Supply

**IMPORTANT:** Power supply **MUST** be wired **BEFORE** mounting it as shown. See page 5.



## Drill Hole Positions

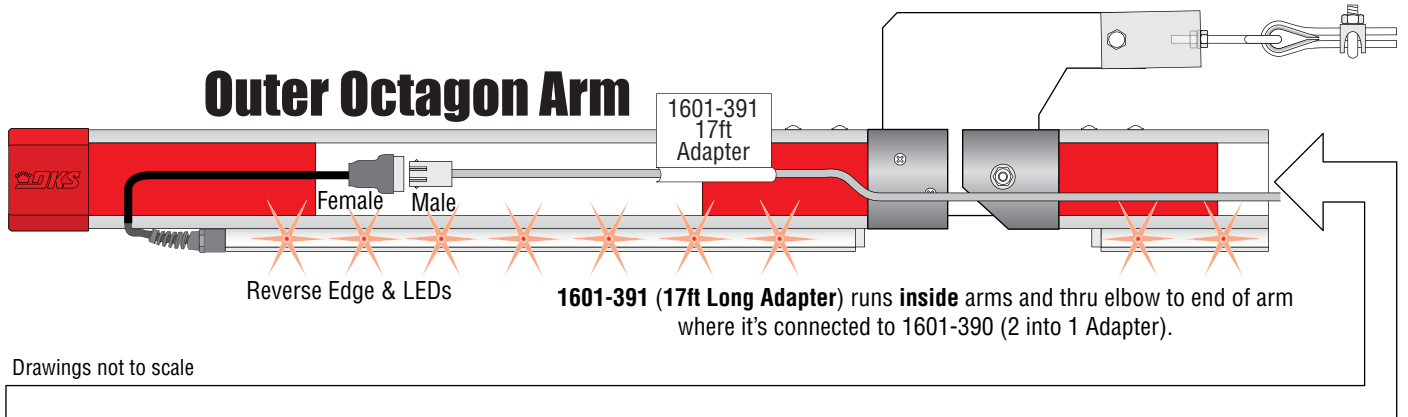
Drill holes in positions shown to mount power supply to side of electronic box.



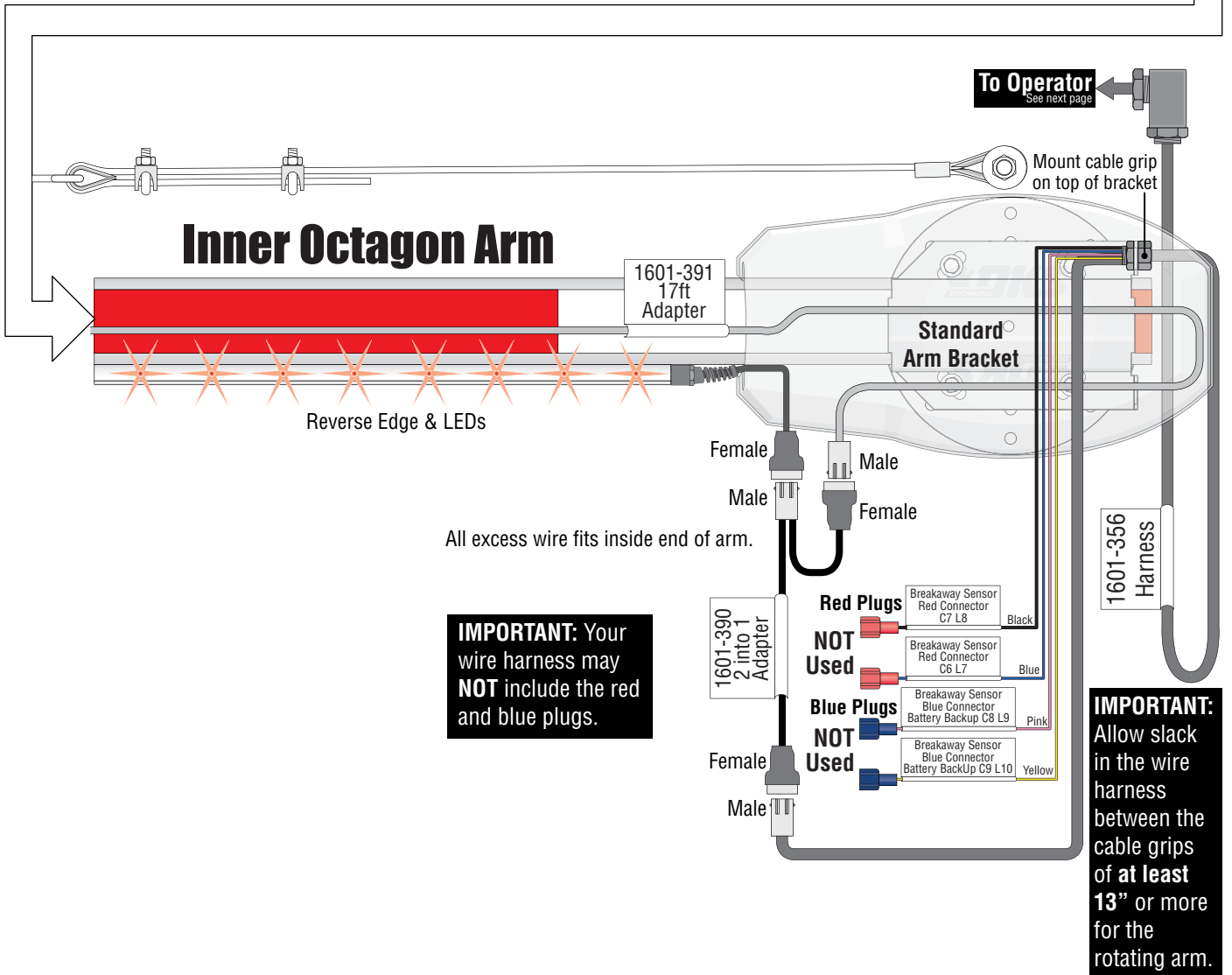
# Reverse Edge Folding Arm Connection

DoorKing Part Number:  
**1601-822**  
 2-Reverse Edge & LEDs Kit

**MAKE SURE ALL POWER IS TURNED OFF TO OPERATOR!**



Drawings not to scale



# Wiring Reverse Edge to Operator

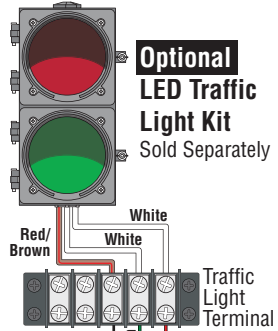
DoorKing Part Number

**1601-822**

2-Reverse Edge & LEDs Kit

**MAKE SURE ALL POWER IS TURNED OFF TO OPERATOR!**

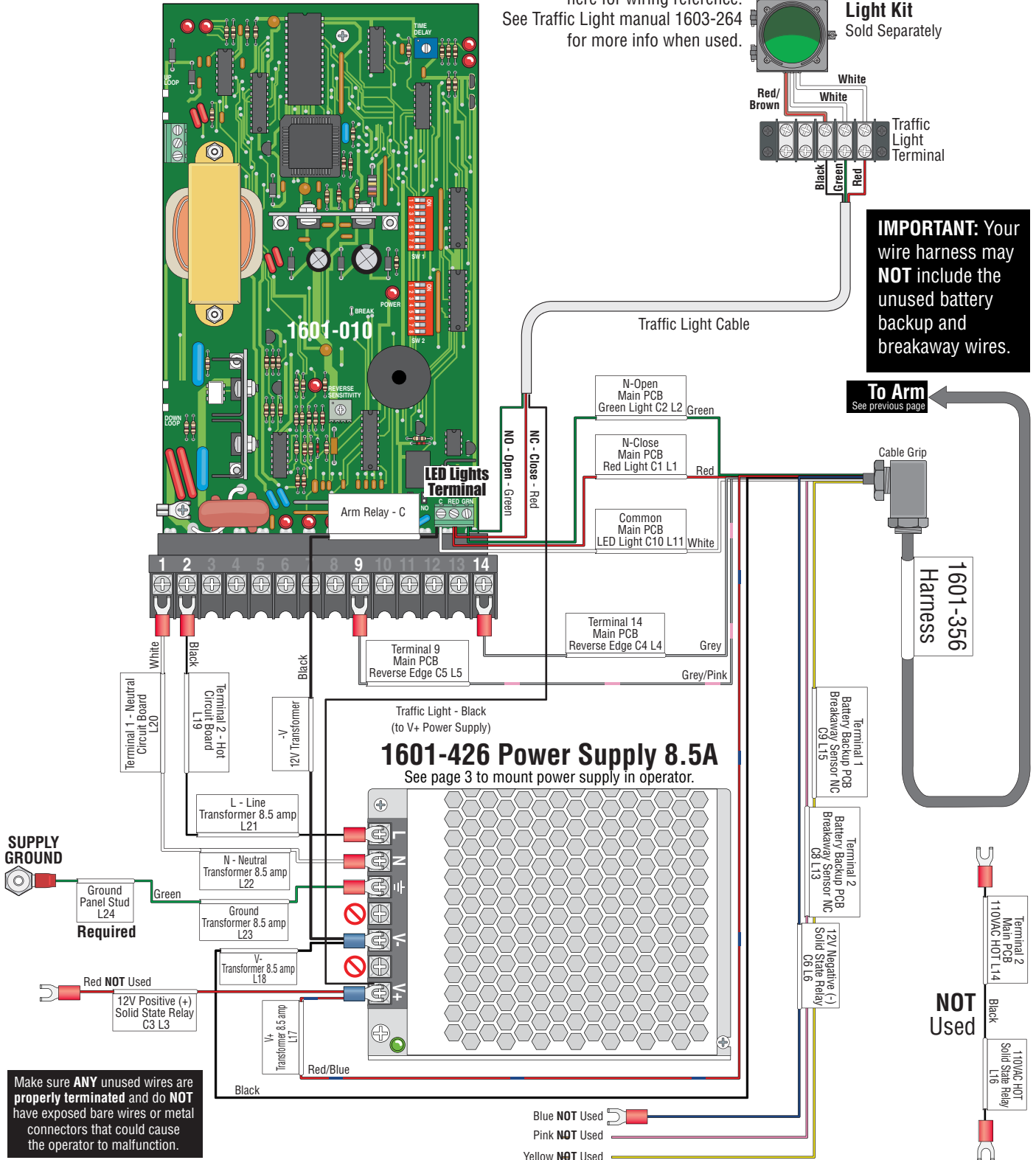
**NOTE:** The traffic light is wired together with the folding arm in some installations, so it's shown here for wiring reference. See Traffic Light manual 1603-264 for more info when used.



**Optional LED Traffic Light Kit**  
Sold Separately

**IMPORTANT:** Your wire harness may **NOT** include the unused battery backup and breakaway wires.

**To Arm**  
See previous page



Make sure **ANY** unused wires are properly terminated and do **NOT** have exposed bare wires or metal connectors that could cause the operator to malfunction.