

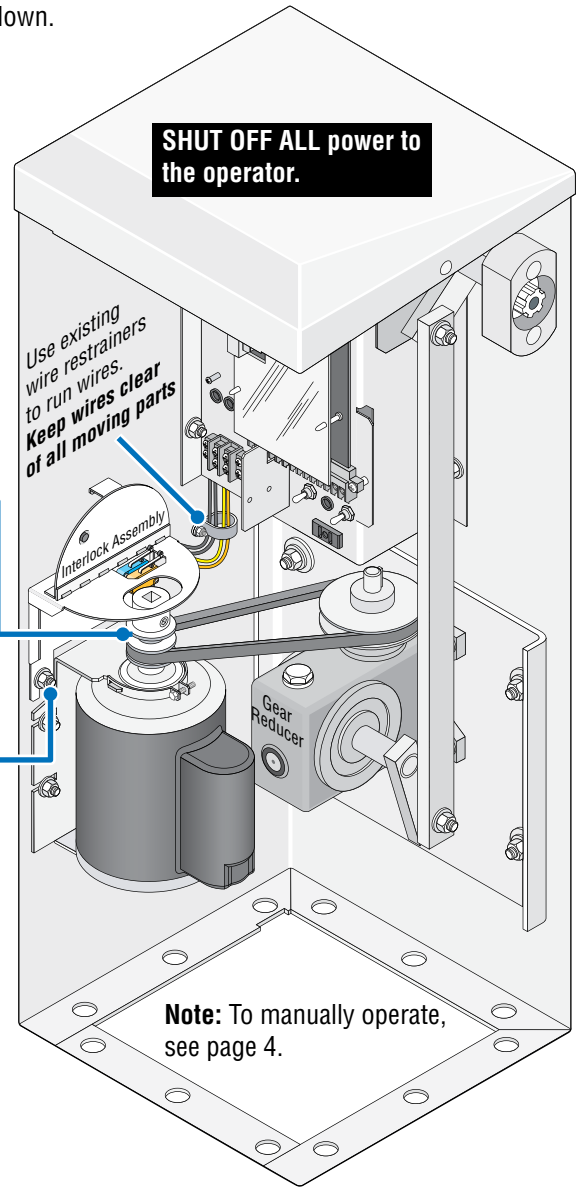
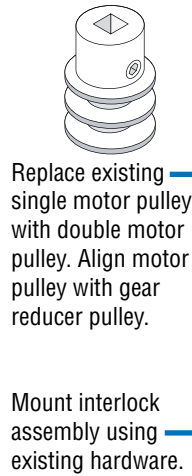
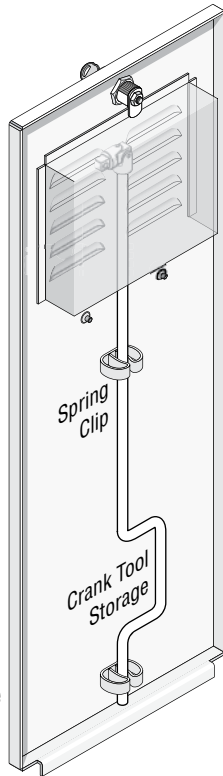
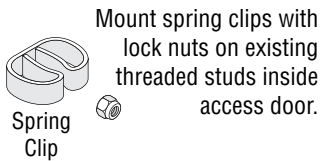
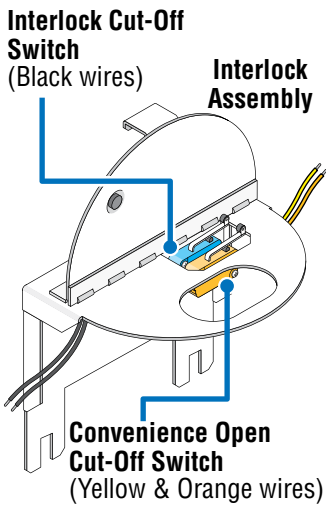
1601 MANUAL RELEASE KIT

This kit is designed for the 1601 barrier gate operator **WITH or WITHOUT** the convenience open option. It provides an interlock power cut-off switch when manually using crank tool to move the arm up or down.

Kit Includes: Interlock assembly, Double motor pulley, Crank tool, 2 spring clips with lock nuts.

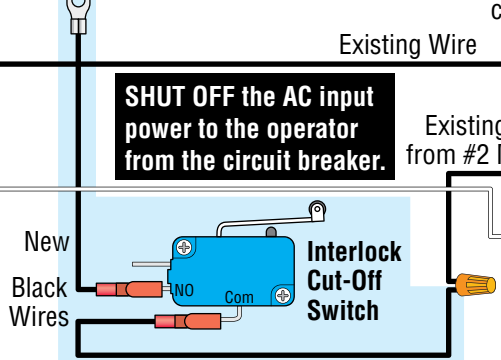
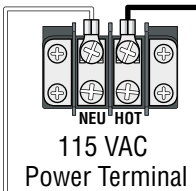
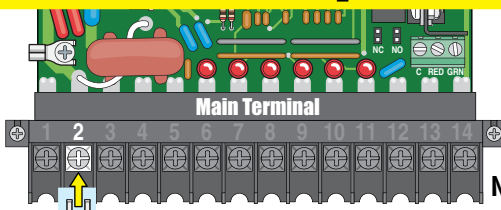
Your Barrier Operator Setup:	Page:
AC Power ONLY _____	1
AC Power & Break-Away Arm _____	2
Convenience Open & Break-Away Arm _____	3
Convenience Open ONLY _____	4

Installation



AC Power ONLY Barrier Operator

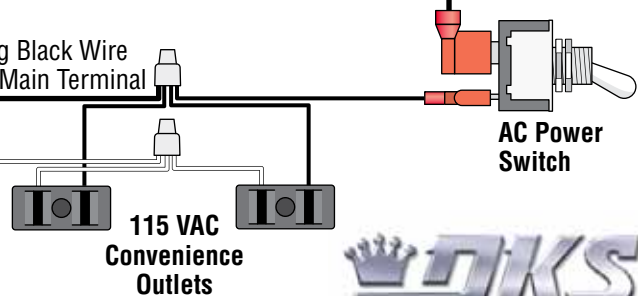
DANGER
HIGH VOLTAGE!



Note: Convenience open cut-off switch is **NOT** used.

Convenience Open Cut-Off Switch

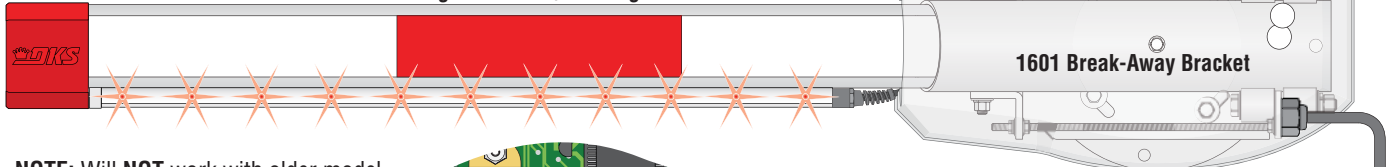
Make sure **ANY** unused wires are properly terminated and do **NOT** have exposed bare wires or metal connectors that could cause the operator to malfunction.



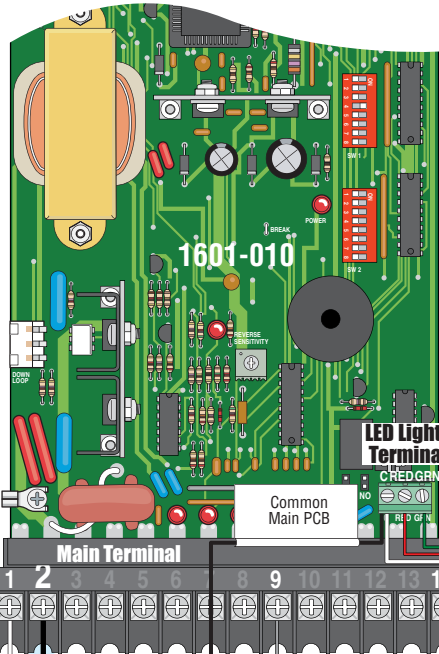
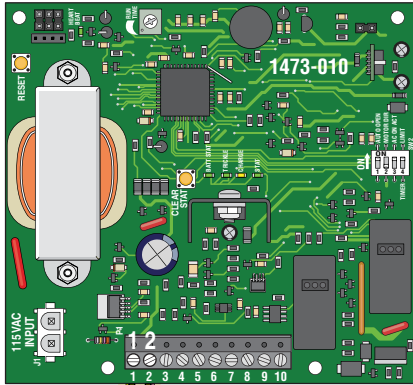
Connect the interlock cut-off switch wires to the existing black wire connected from main terminal #2.

Convenience Open & Break-Away Arm Barrier Operator

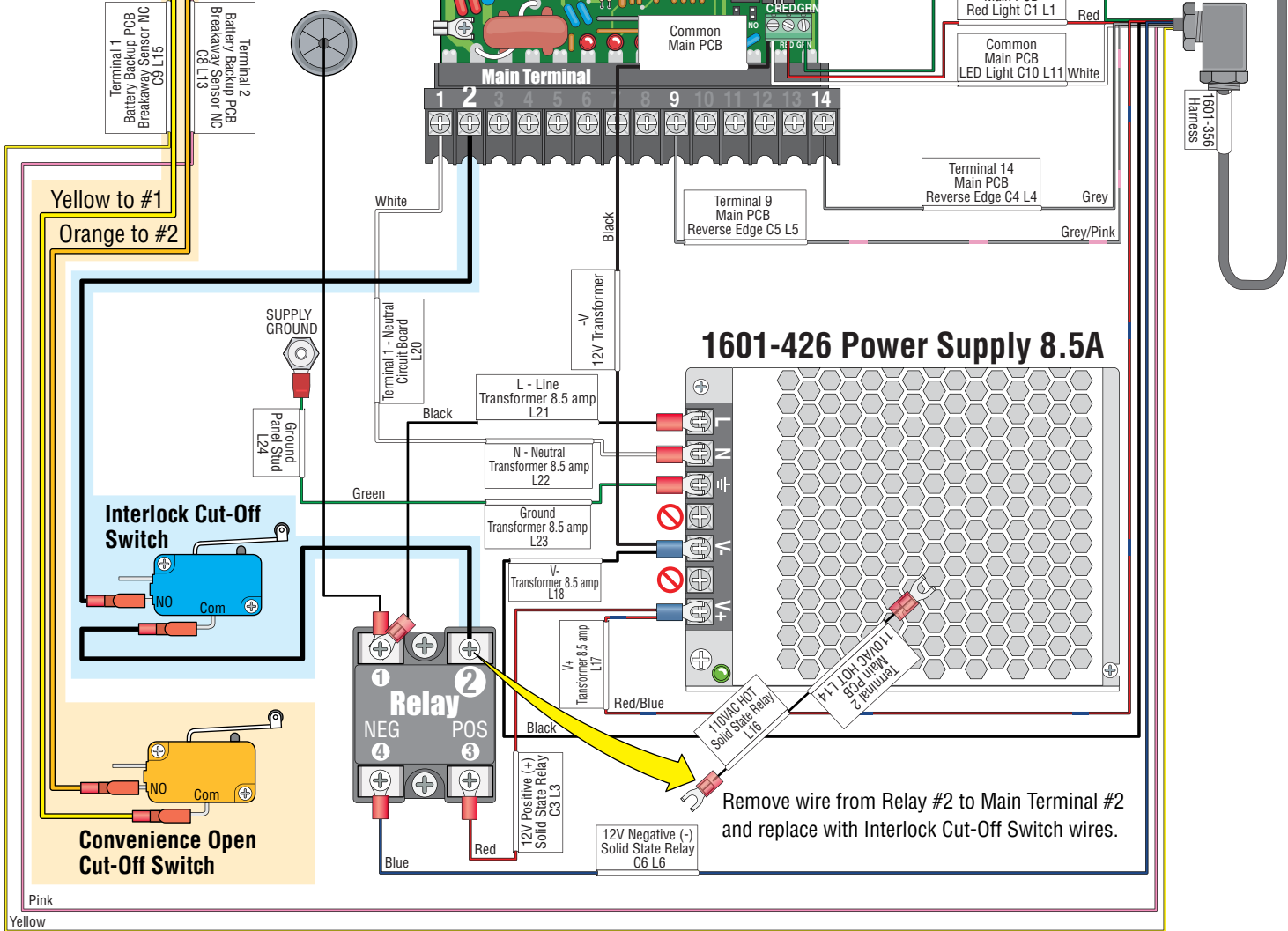
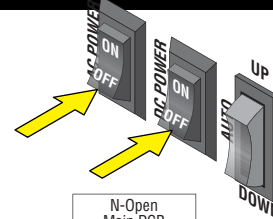
Octagon Reverse/LED Edge Arm



NOTE: Will NOT work with older model 2340-010 convenience open board



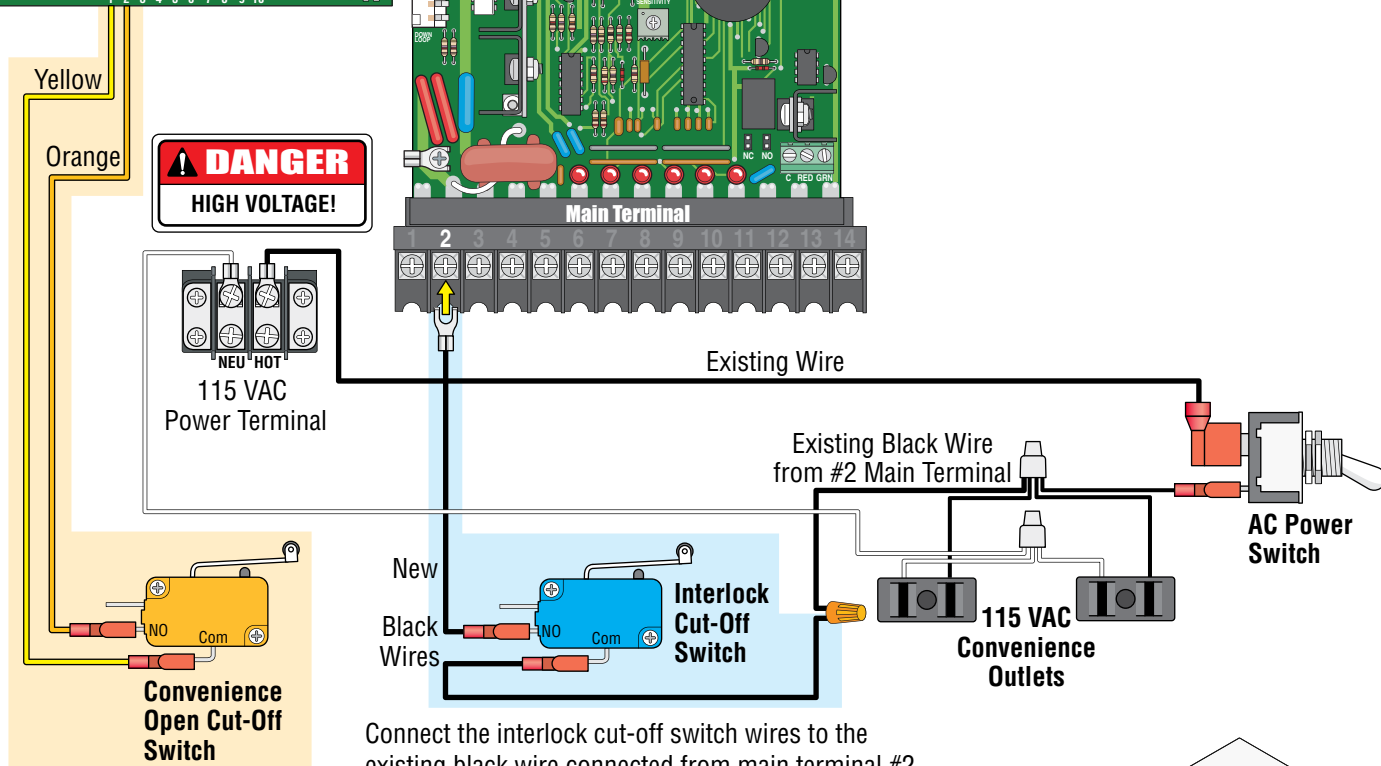
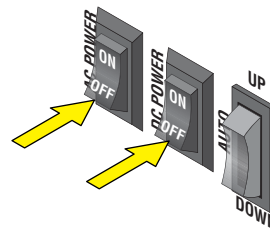
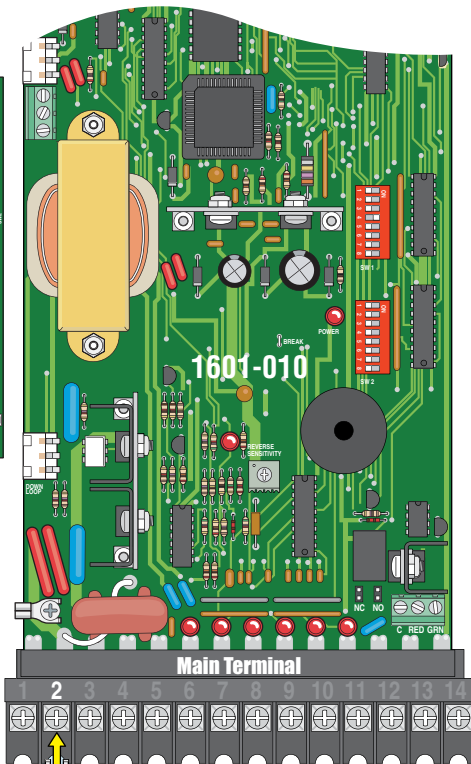
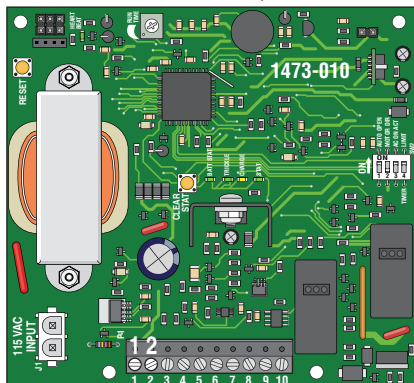
First, SHUT OFF AC and DC power switches on the operator, Then, SHUT OFF the AC input power to the operator from the circuit breaker.



Convenience Open ONLY Barrier Operator

NOTE: Will NOT work with older model 2340-010 convenience open board

First, SHUT OFF AC and DC power switches on the operator, Then, SHUT OFF the AC input power to the operator from the circuit breaker.



Connect the interlock cut-off switch wires to the existing black wire connected from main terminal #2.

Manual Operation

1. Unlock and remove access door.
2. Remove crank tool from inside access door.
3. Flip interlock assembly door up, power will be disabled from operator.
4. Insert crank tool into motor pulley as shown.
5. Rotate crank tool to manually move operator arm up or down.

