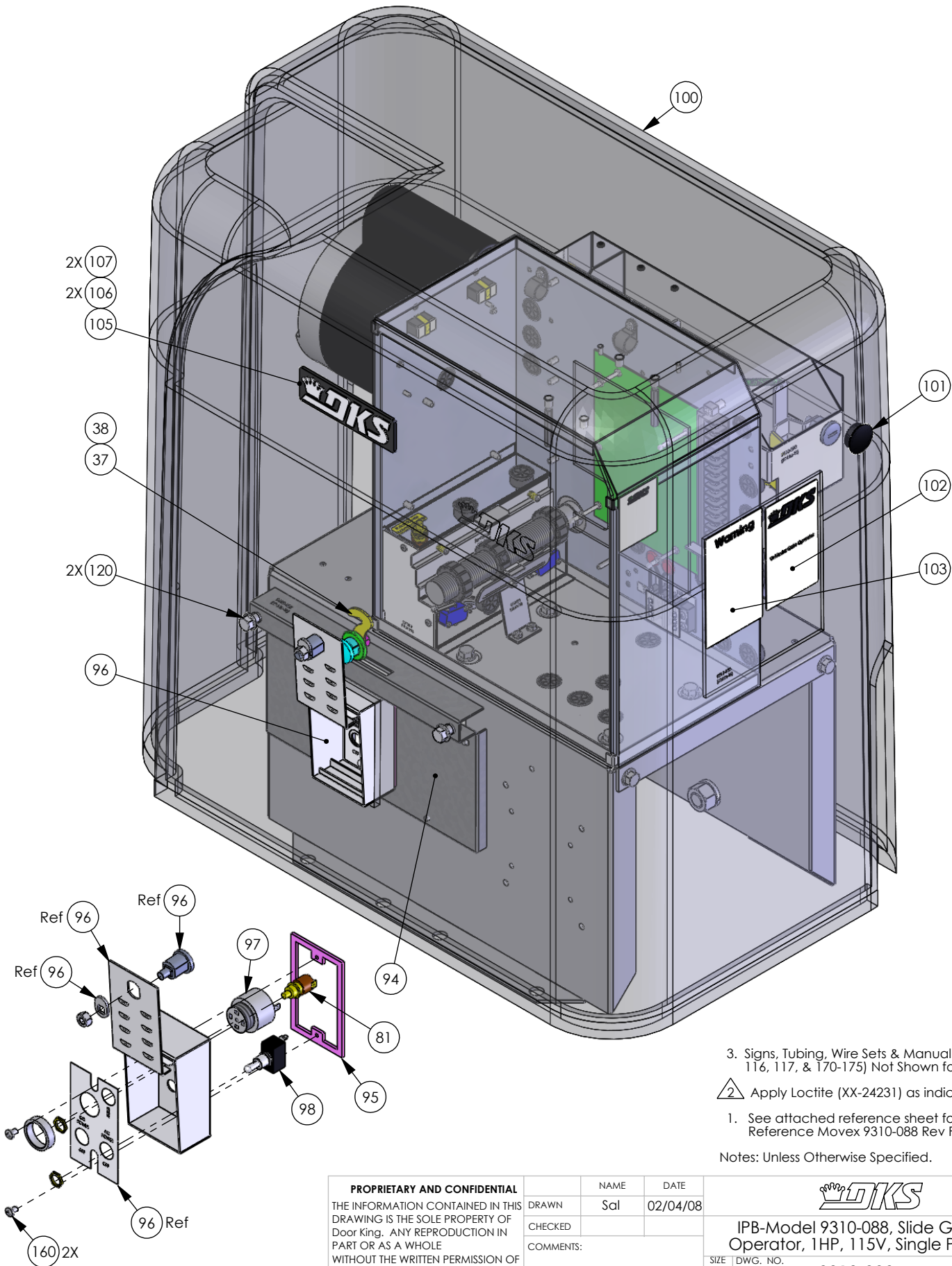


REVISIONS

EO	REV	DESCRIPTION	Drawn	APPR
---	F	Added Items 107 & 174.	Sal 10/15/08	D.C 10/15/08




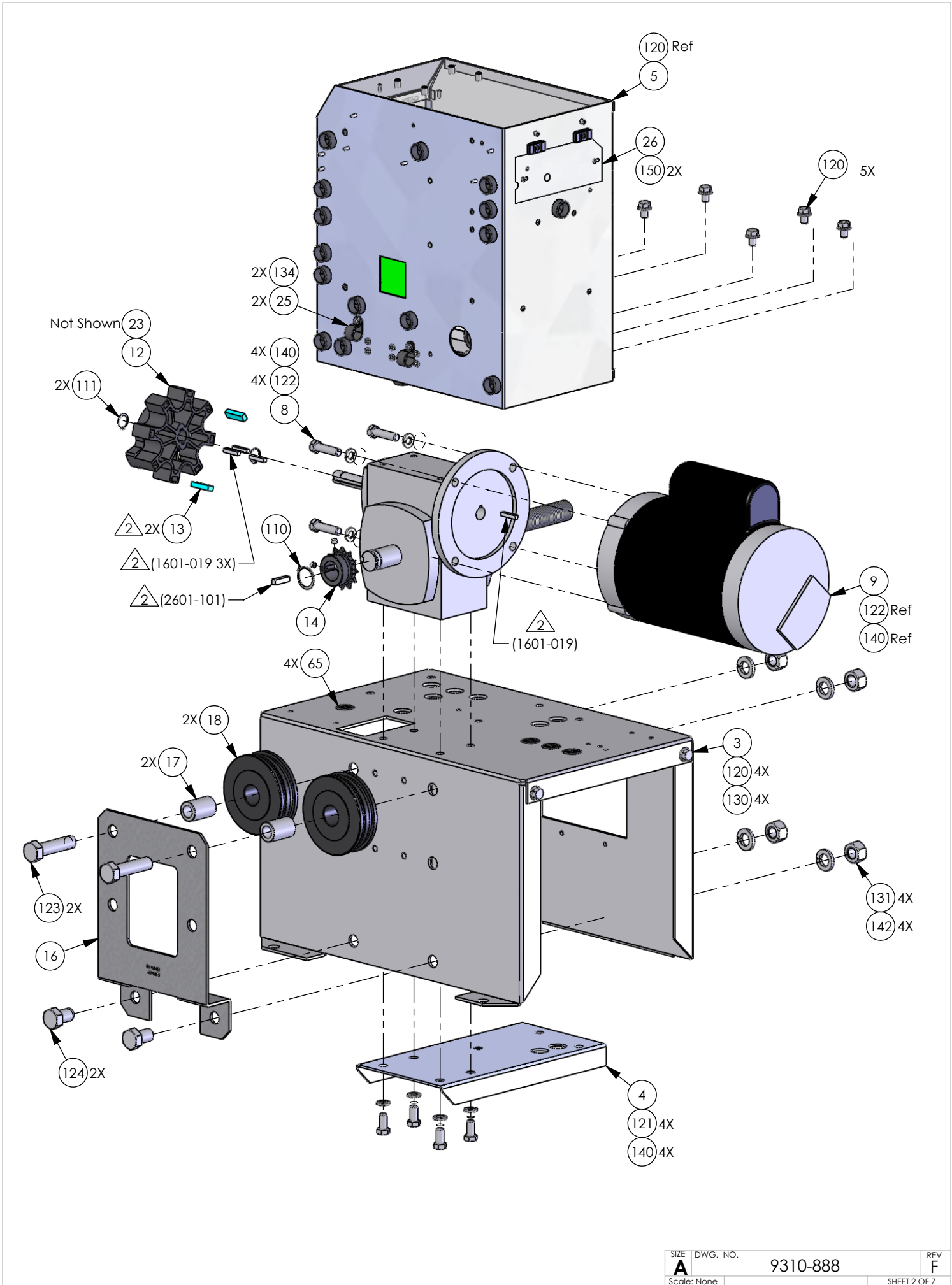
3. Signs, Tubing, Wire Sets & Manual (Items 116, 117, & 170-175) Not Shown for Clarity.

△ Apply Loctite (XX-24231) as indicated.

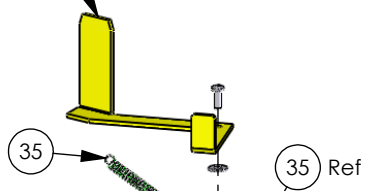
1. See attached reference sheet for BOM; Reference Movex 9310-088 Rev F.

Notes: Unless Otherwise Specified.

<p>PROPRIETARY AND CONFIDENTIAL</p> <p>THE INFORMATION CONTAINED IN THIS DRAWING IS THE SOLE PROPERTY OF Door King. ANY REPRODUCTION IN PART OR AS A WHOLE WITHOUT THE WRITTEN PERMISSION OF Door King IS PROHIBITED.</p>	NAME	DATE		
	DRAWN	Sal		02/04/08
	CHECKED			<p>IPB-Model 9310-088, Slide Gate Operator, 1HP, 115V, Single Phase</p>
	COMMENTS:			
SIZE	DWG. NO.	REV		
A	9310-888	F		
Scale: None			SHEET 1 OF 7	



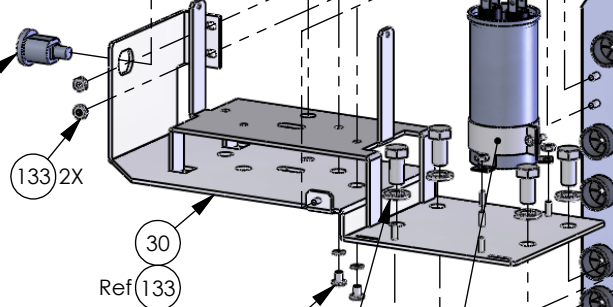
Optional
 (2600-866 Lock Kit)
 (2600-391 Bracket)
 (Screw 10-32 x 1/2)
 (Washer 10-32 SAE)



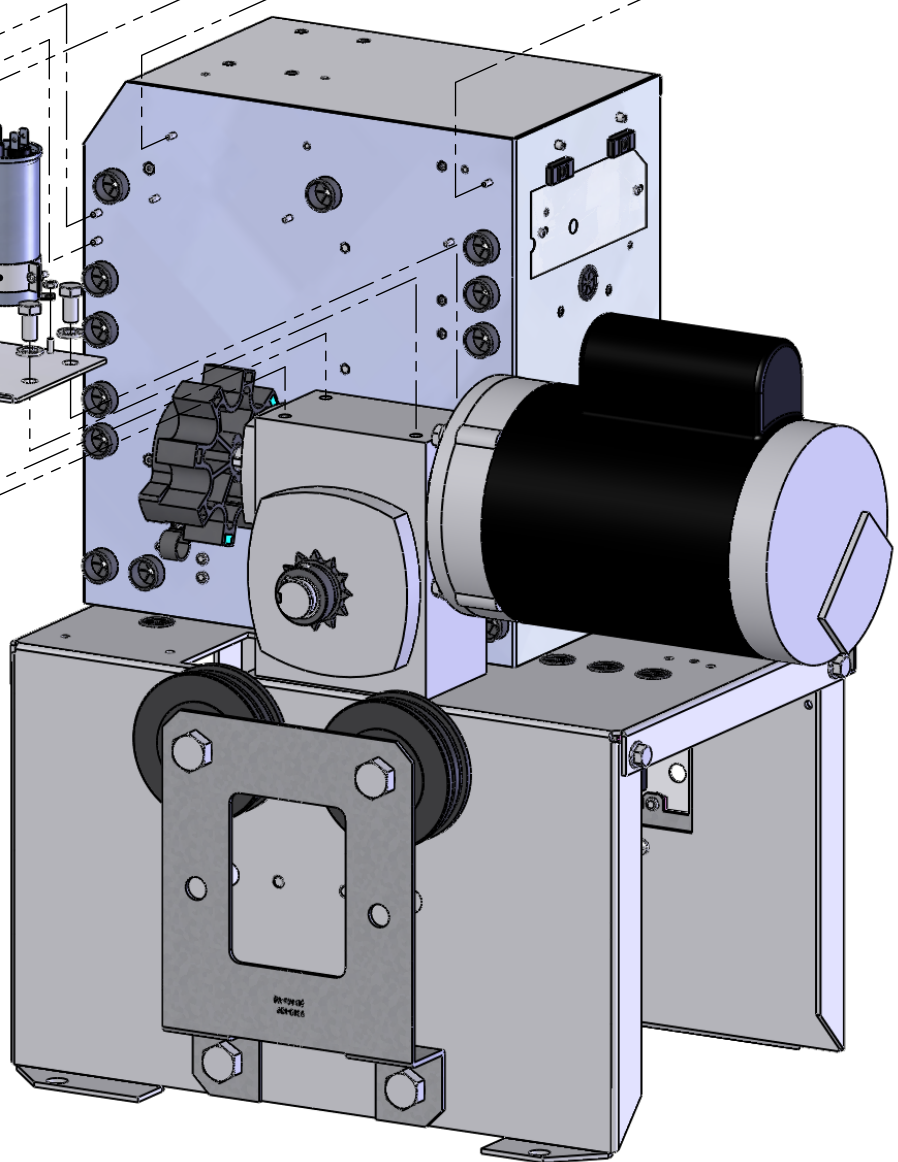
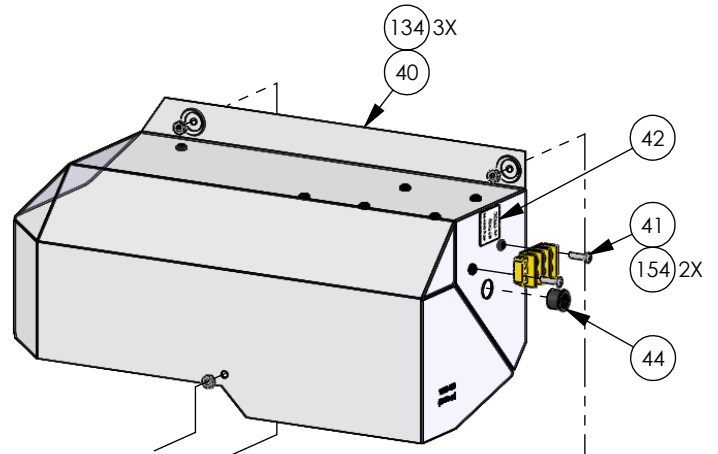
Optional
 (2600-866 Lock Kit)
 (1702-515 CAM)

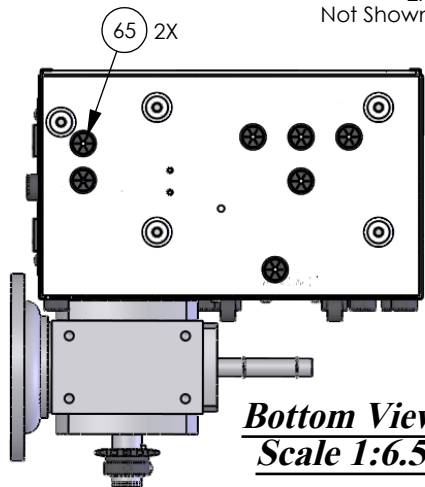
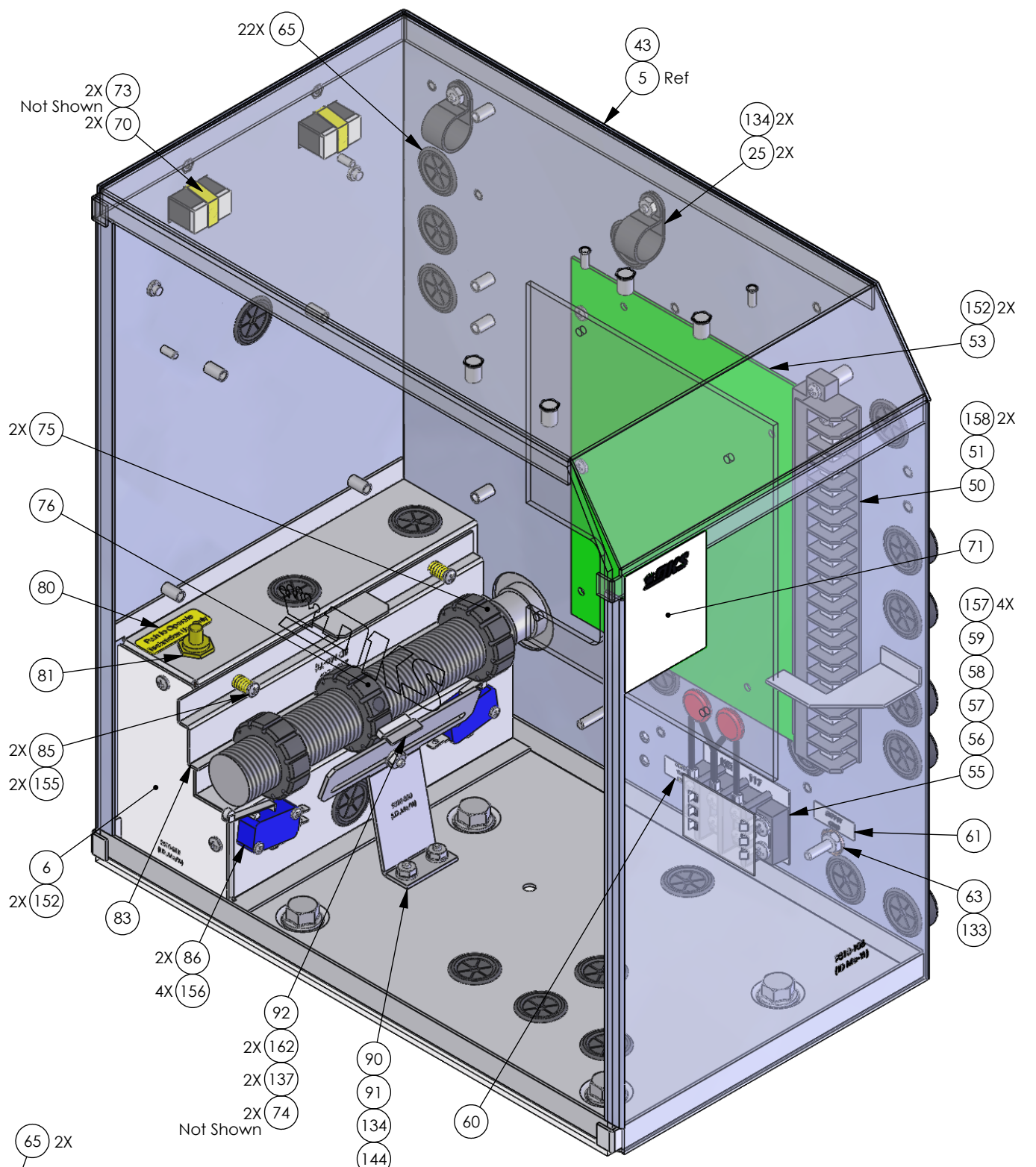


Optional
 (2600-866 Lock Kit)
 (4001-035 Lock)



- 2X (143)
- 2X (151)
- 4X (121)
- 4X (140)
- 33
- 34
- 4X (134)
- 152
- Not Shown (174)

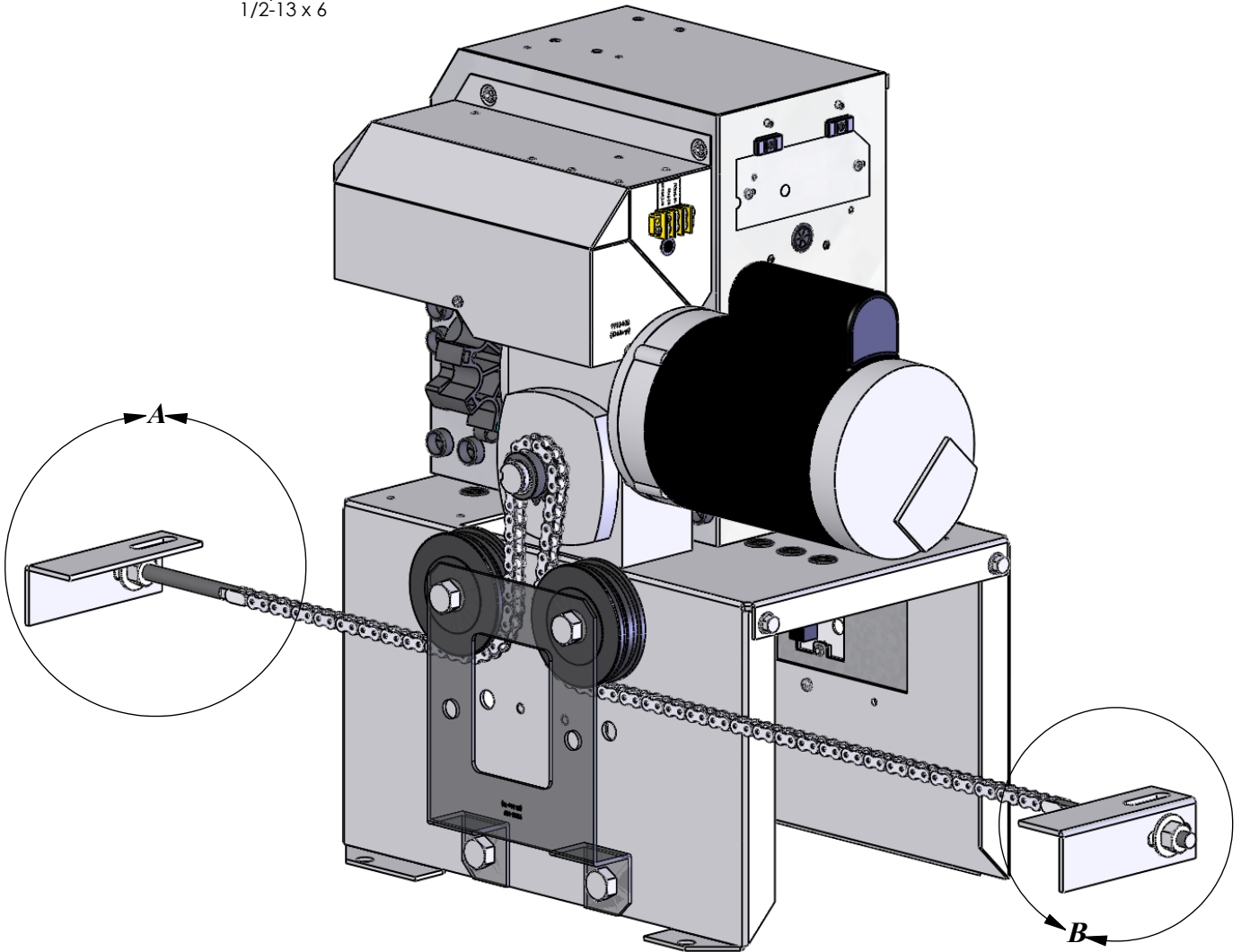
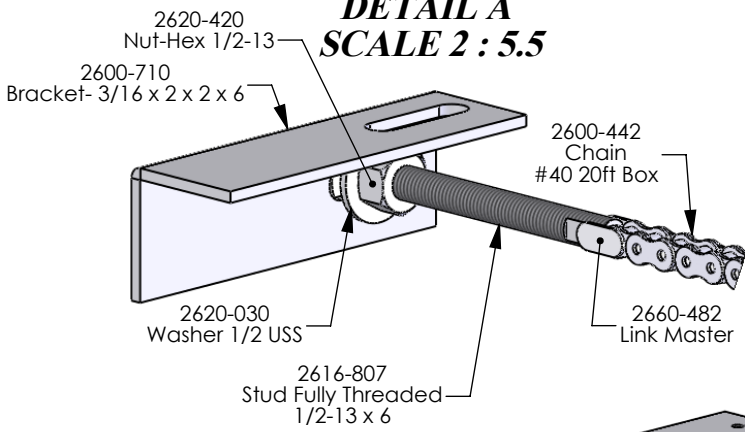




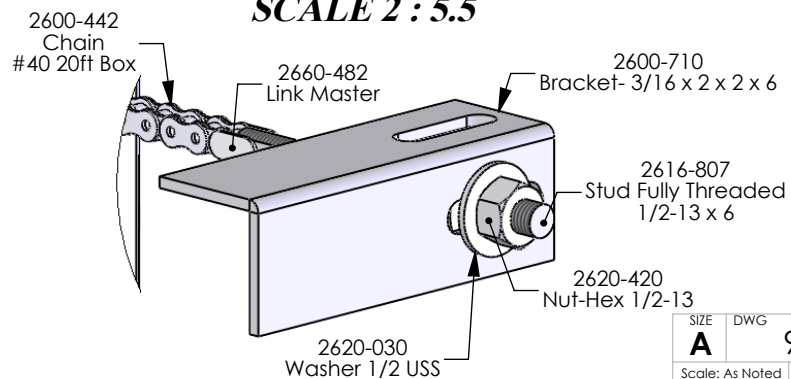
Bottom View
Scale 1:6.5

**This Page Represents
Accessory Kit
2600-858
(Item 115)**

**DETAIL A
SCALE 2 : 5.5**



**DETAIL B
SCALE 2 : 5.5**



SIZE	DWG	REV
A	9310-888	F
Scale: As Noted		SHEET 5 OF 7

Item	Part Number	Qty	UM	Description	Rev
1	9310-888	1	EA	IBP-Slide Gate Operator 1HP 115V	F
3	9310-304	1	EA	Base 9310	
4	2600-305	1	EA	Base Stiffener Model 9300	
5	9310-106	1	EA	Box Control 9310	
6	2600-318	1	EA	Bracket Wire Cover	
8	2600-350	1	EA	Gearbox LIM-60D 10:1 9310	
9	2600-173	1	EA	Motor 1 HP C-Face Emerson	
12	2600-365	1	EA	Lock Sprocket Nylon ST801	
13	2600-908	2	EA	Magnet Rectangular	
14	2600-366	1	EA	Sprocket 12 tooth 1" Bore #41	
16	9310-109	1	EA	Bracket Idler 9310	
17	2600-888	2	EA	Bushing 9300 1.5L x 1.0 OD x .63 ID	
18	2600-398	2	EA	Idler Chain	
23	2599-220	1	EA	Label Caution Remove Rod	
25	2600-619	4	EA	Wire Clp-5/8 Concord 770-1209	
26	2600-945	1	EA	Cover Plastic Insulator	
30	9310-390	1	EA	Panel Solenoid 9310	
33	2600-239	1	EA	Capacitor Clamp VR6B	
34	2600-234	1	EA	Capacitor 30uf 370VAC	
35	2600-861	1	EA	Solenoid Lock Assy 9310	
37	4001-035	1	EA	Lock N16058BDxSFx2K Key 16120	
38	1702-507	1	EA	Cam "J" Hook	
40	9310-103	1	EA	Cover Solenoid Panel 9310	
41	2600-413	1	EA	Terminal Block-3 Position	
42	2599-038	1	EA	Label Radio 9310	
43	9310-006	1	EA	Cover Plastic	
44	2600-820	1	EA	Bushing 1/2	
50	4001-020	1	EA	Terminal 20 Pin	
51	4001-021	1	EA	Key Polarizing Tyco 1437410-5	
53	4403-010	1	EA	PCB Gate Operator	
55	2600-410	1	EA	Marker Strip Silkscn Both Side	
56	2600-414	1	EA	Terminal Block-2 Position	
58	3129-002	1	EA	Terminal Block Cover 2 Position	
59	4001-093	1	EA	MOV Assembly 130VAC	
60	2599-014	1	EA	Decal Copper Wire Only	
61	2599-006	1	EA	Decal SUPPLY GND	
63	2600-439	1	EA	Washer Cup - Brass	
65	2600-810	28	EA	Bushing 7/8 Poke Thru Flaps	
70	1200-028	2	EA	Outlet Snap-In Leviton 1306	
71	2599-008	1	EA	Label Patent	
73	2600-753	2	EA	Wire Crimp On #9 Full Insul	
74	1215-018	2	EA	Wire Nut #71B	
75	2600-246	2	EA	Limit Nut	
76	2600-248	1	EA	Limit Nut w Magnet Assembly	
80	2599-096	1	EA	Label Key Model 9310	
81	1812-005	2	EA	Switch Push Button N.O.	
83	2600-307	1	EA	Bracket Wheel Lock 9300	
85	2600-857	2	EA	Spring-Compression Limits	
86	1804-024	2	EA	Switch Micro No NC C	
90	9310-300	1	EA	Bracket Partial Limit 9310	
91	9310-301	1	EA	Bracket Partial Limit Mt. 9310	
92	1601-256	1	EA	Switch Magnetic Sensor	

94	9310-102	1	EA	Bracket Switch 9310
95	2600-731	1	EA	Gasket Switch Cover
96	2600-533	1	EA	Switch Cover Doorlocking Lockable
97	1506-071	1	EA	Tone Generator Loud
98	1601-041	1	EA	Switch Toggle SPST 2POS
100	2600-503	1	EA	Cover 9300/9310 1HP
101	2600-793	1	EA	Hole Plug Blk Nylon 1.00" dia.
102	2599-199	1	EA	Label Universal
103	2599-034	1	EA	Label Gate Operator
105	2600-732	1	EA	Nameplate Plastic DKS
106	2802-040	2	EA	Washer Push on Clamp
107	1897-052	2	EA	Gasket, Microphone Support
110	2630-011	1	EA	Snap Ring 1" #3100-100ZD
111	2630-015	2	EA	Snap Ring 5/8" 5100-62-ZY
115	2600-858	1	EA	Accessory Box 9300 Operator
116	2599-100	2	EA	Sign Warning
117	9402-055	1	FT	Tubing Flex Split 1/2
120	2615-252	11	EA	Bolt Whiz Lock 5/16-18 x 1/2
121	2615-052	8	EA	Bolt Hex Head 3/8-16 x 1
122	2615-055	4	EA	Bolt Hex Head 3/8-16 x 1 1/2
123	2615-035	2	EA	Bolt Hex Head 5/8-11 x 2 1/2
124	2615-031	2	EA	Bolt Hex Head 5/8-11 x 1
130	2620-411	4	EA	Nut Hex Flange Lock 5/16-18
131	2620-435	4	EA	Nut Hex 5/8-11
133	2902-004	3	EA	Nut Nylon Lock 8-32
134	2620-400	14	EA	Nut Hex 6-32
137	2620-399	2	EA	Nut Hex 00-90 Brass Zinc Plt
140	2620-047	12	EA	Lockwasher 3/8
142	2620-049	4	EA	Lockwasher 5/8
143	2620-010	2	EA	Washer #10 SAE
144	2802-002	3	EA	Washer #6 SAE
150	2904-001	2	EA	Screw Round Head 4-40 x 1/4
151	1816-039	2	EA	Screw 10-32 x 1/4
152	2616-000	5	EA	Screw Phillips Head 6-32 x 1/4
154	2616-002	2	EA	Screw Phillips Head 6-32 x 1/2
155	2616-003	2	EA	Screw Phillips Head 6-32 x 3/4
156	2616-103	4	EA	Screw Pan Head 4-40 x 5/8
157	2616-019	4	EA	Screw Phillips Head 8-32 x 3/4
158	2616-007	2	EA	Screw Phillips Head 6-32 x 5/8
160	2616-051	2	EA	Screw Phillips 10-32 x 3/8
162	2616-031	2	EA	Screw Flat Head #0-90 x 1/4 Slot
170	9300-043	1	EA	Wire Set 9310 115/230 Single P
174	7082-195	1	EA	Wire MiniFit Recept Start Cap
175	9310-065	1	EA	Manual