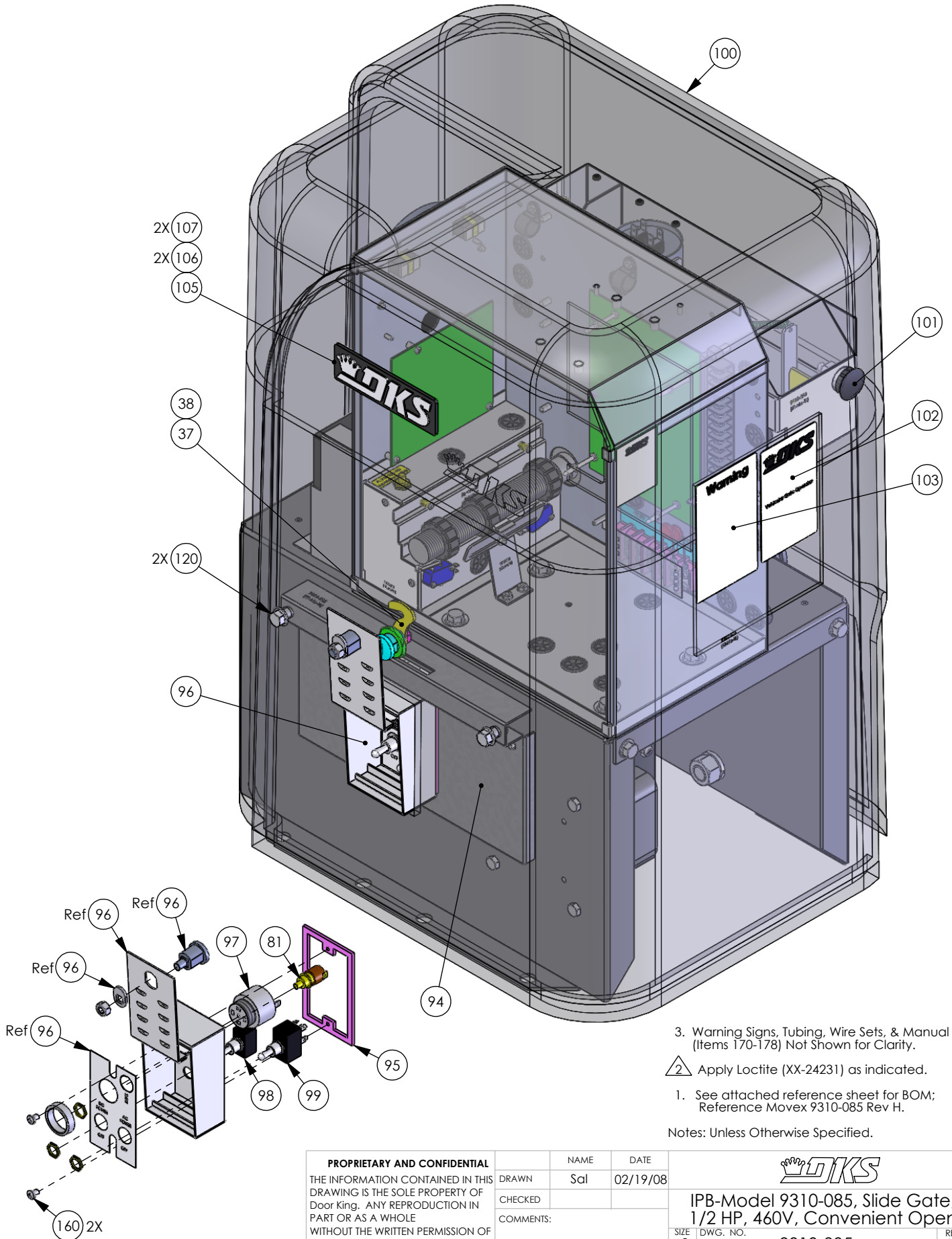


REVISIONS

| EO | REV | DESCRIPTION | Drawn | APPR |
|-----|-----|------------------------|-----------------|------------------|
| --- | H | Item 55 Was: 2600-469. | Sal 10/30/08 | D.C. 10/30/08 |



3. Warning Signs, Tubing, Wire Sets, & Manual (Items 170-178) Not Shown for Clarity.

2. Apply Loctite (XX-24231) as indicated.

1. See attached reference sheet for BOM; Reference Movex 9310-085 Rev H.

Notes: Unless Otherwise Specified.

PROPRIETARY AND CONFIDENTIAL
 THE INFORMATION CONTAINED IN THIS DRAWING IS THE SOLE PROPERTY OF Door King. ANY REPRODUCTION IN PART OR AS A WHOLE WITHOUT THE WRITTEN PERMISSION OF Door King IS PROHIBITED.

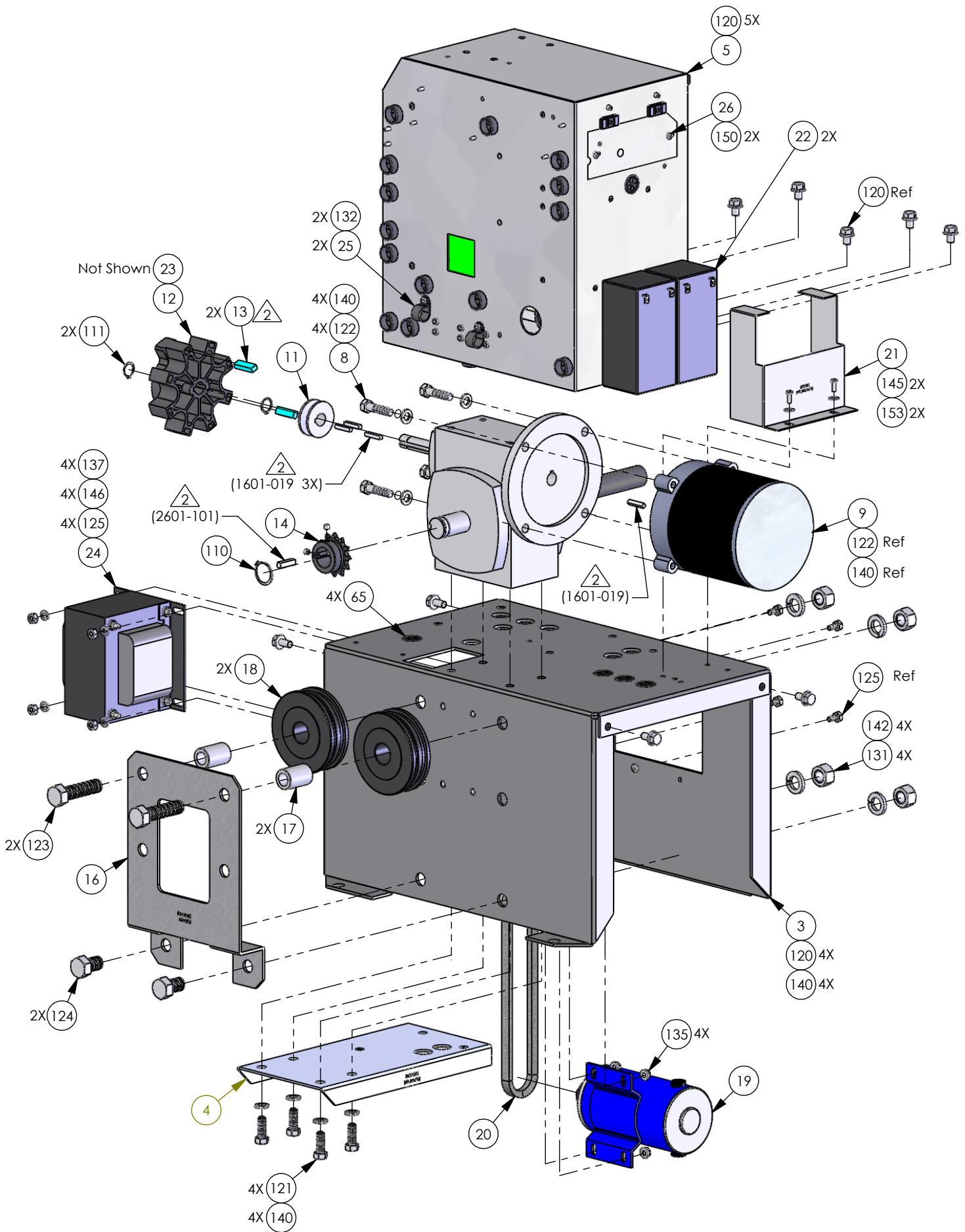
| | NAME | DATE |
|-----------|------|----------|
| DRAWN | Sal | 02/19/08 |
| CHECKED | | |
| COMMENTS: | | |

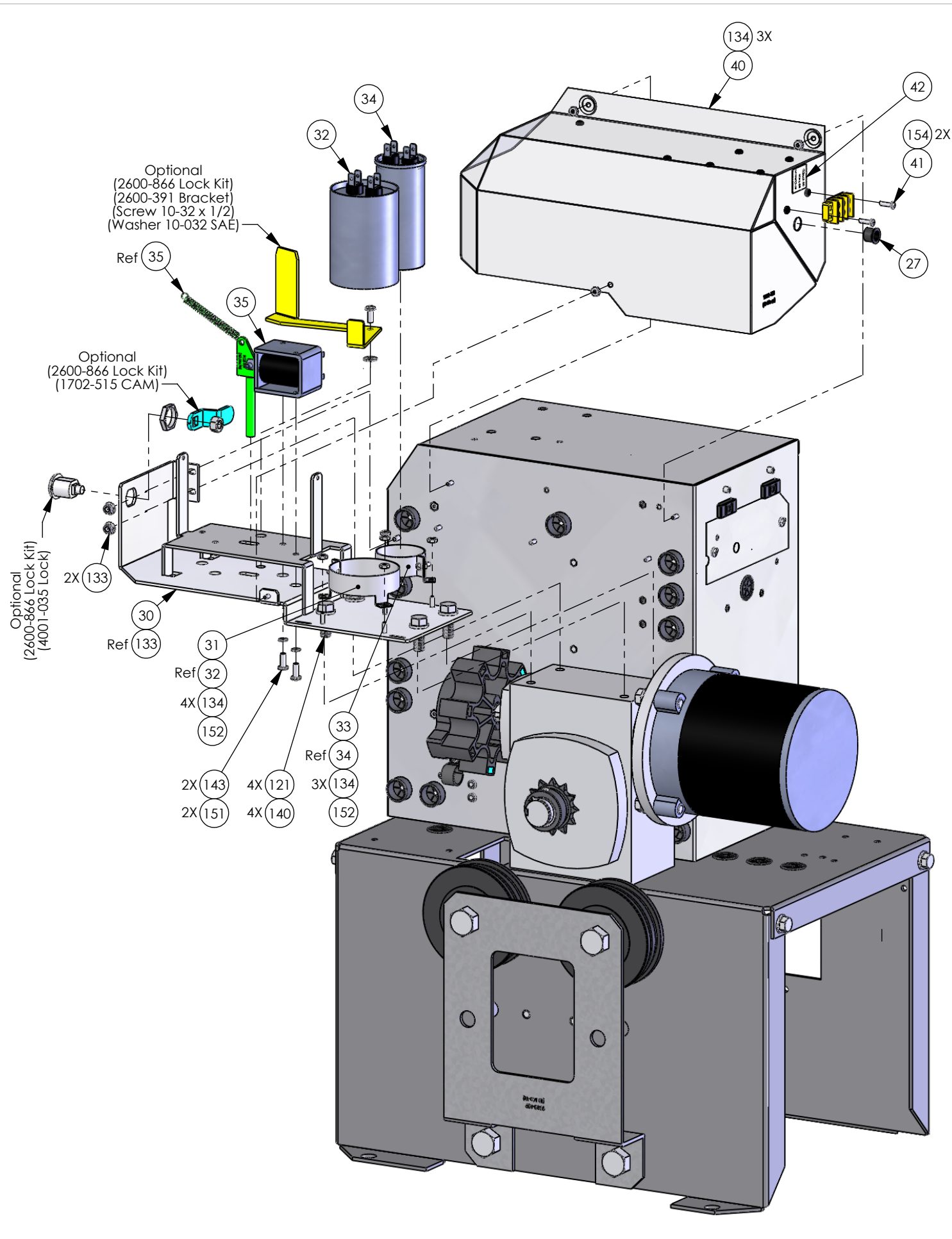


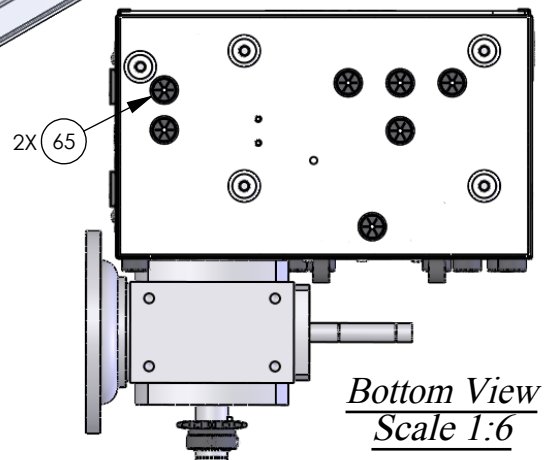
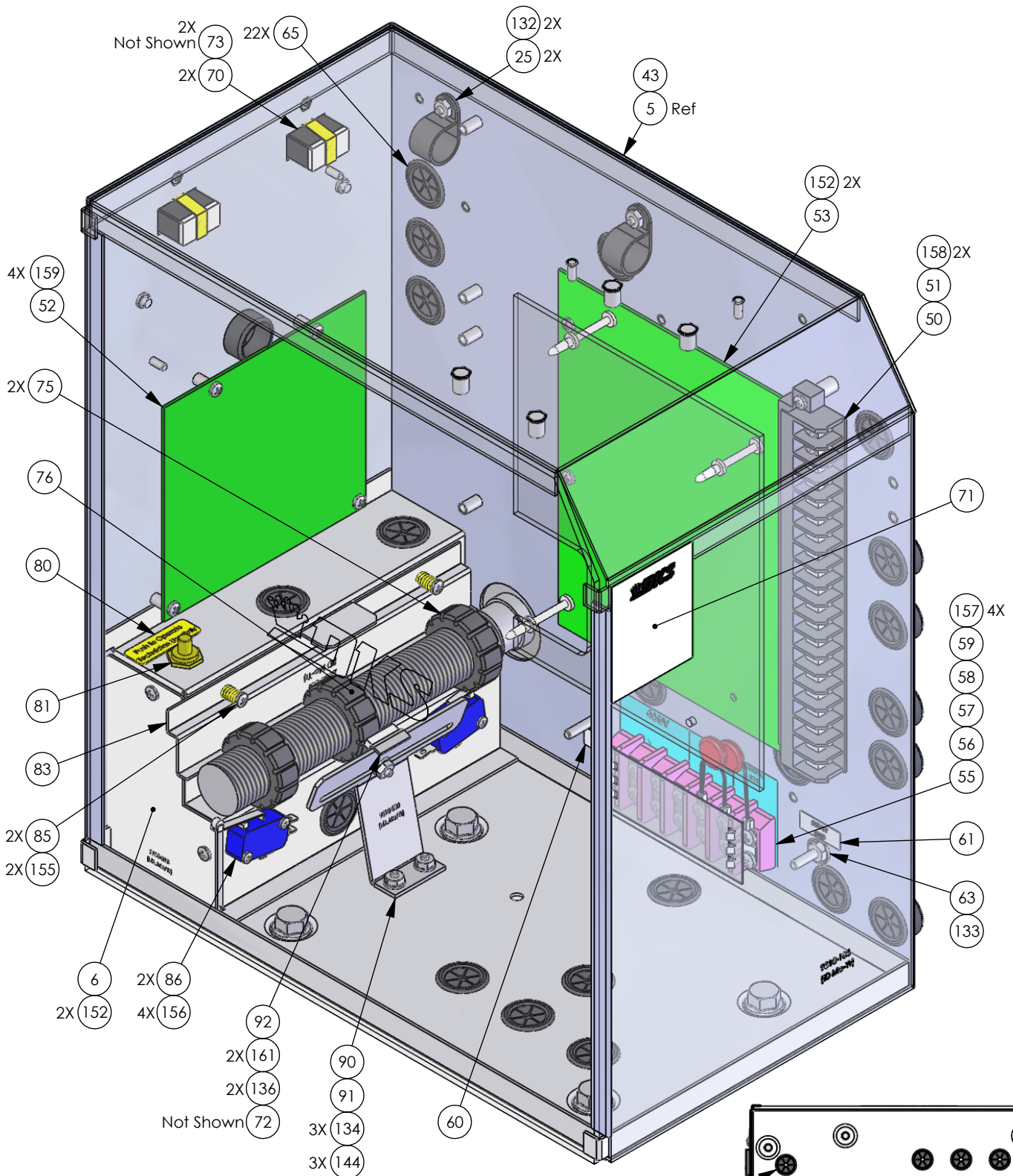
IPB-Model 9310-085, Slide Gate, 1/2 HP, 460V, Convenient Open

| SIZE | DWG. NO. | REV |
|------|----------|-----|
| A | 9310-885 | H |

Scale: None



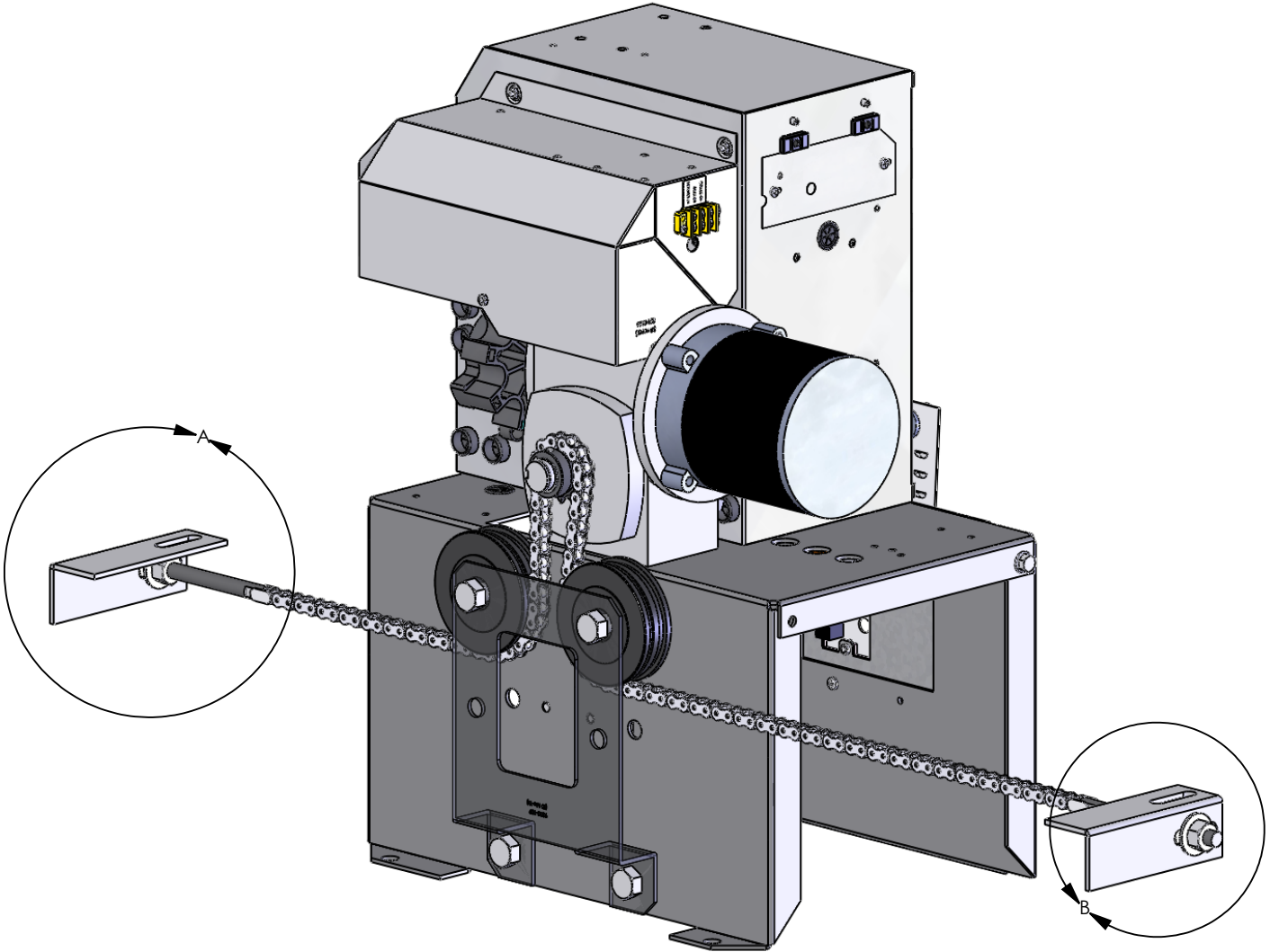
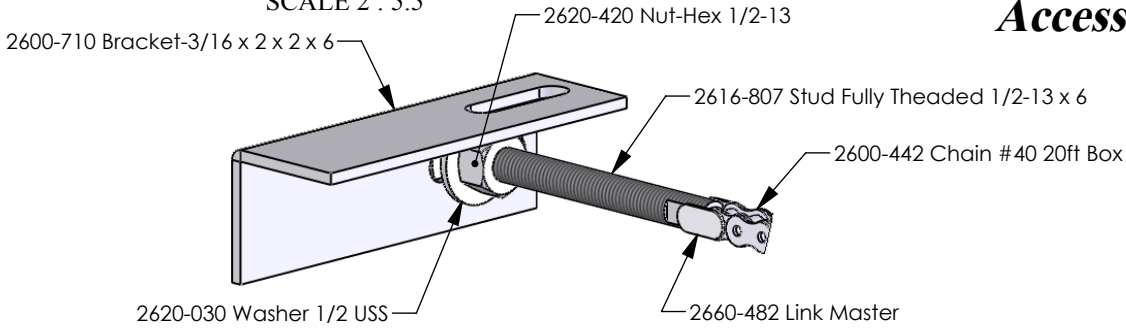




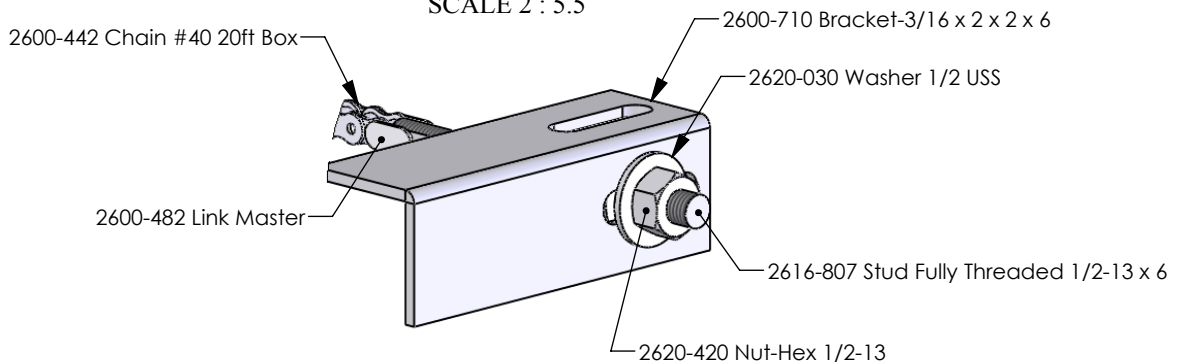
Bottom View
Scale 1:6

**This Page Represents
Accessory Kit 2600-858
(Item 175)**

**DETAIL A
SCALE 2 : 5.5**



**DETAIL B
SCALE 2 : 5.5**



| Item | Part Number | Qty | UM | Description | Rev |
|------|-------------|-----|----|---|-----|
| 1 | 9310-885 | 1 | EA | IBP-Slide Gate Operator 1/2 HP, 460V, Convenient Open | H |
| 3 | 9310-304 | 1 | EA | Base 9310 | |
| 4 | 2600-305 | 1 | EA | Base Stiffener Model 9300 | |
| 5 | 9310-106 | 1 | EA | Box Control 9310 | |
| 6 | 2600-318 | 1 | EA | Bracket Wire Cover | |
| 8 | 2600-350 | 1 | EA | Gearbox LIM-60D 10:1 9310 | |
| 9 | 2600-156 | 1 | EA | Motor 1/2 HP C Face Emerson | |
| 11 | 2600-219 | 1 | EA | Pulley - 1 3/4 OD x 5/8 Shaft | |
| 12 | 2600-365 | 1 | EA | Lock Sprocket Nylon ST801 | |
| 13 | 2600-908 | 2 | EA | Magnet Rectangular | |
| 14 | 2600-366 | 1 | EA | Sprocket 12 tooth 1" Bore #41 | |
| 16 | 9310-109 | 1 | EA | Bracket Idler 9310 | |
| 17 | 2600-888 | 2 | EA | Bushing 9300 1.5L x1.0 OD x .63 ID | |
| 18 | 2600-398 | 2 | EA | Idler Chain | |
| 19 | 2600-197 | 1 | EA | Motor 24VDC For BB | |
| 20 | 2600-699 | 1 | EA | Belt 23" 4L230 | |
| 21 | 2600-303 | 1 | EA | Bracket Battery Holder 9300 | |
| 22 | 1801-009 | 2 | EA | Battery 12V 3.0 AmpHour PS1230 | |
| 23 | 2599-220 | 1 | EA | Label Caution Remove Rod | |
| 24 | 4001-096 | 1 | EA | Transformer 460/230/208-115V | |
| 25 | 2600-619 | 4 | EA | Wire Clip-5/8 Concord 770-1209 | |
| 26 | 2600-945 | 1 | EA | Cover Plastic Insulator | |
| 27 | 2600-820 | 1 | EA | Bushing 1/2 | |
| 30 | 9310-390 | 1 | EA | Panel Solenoid 9310 | |
| 31 | 2600-875 | 1 | EA | Capacitor Mounting Clamp | |
| 32 | 2600-102 | 1 | EA | Capacitor 50uf 370VAC | |
| 33 | 2600-239 | 1 | EA | Capacitor Clamp VR6B | |
| 34 | 2600-234 | 1 | EA | Capacitor 30uf 370VAC | |
| 35 | 2600-861 | 1 | EA | Solenoid Lock Assy 9310 | |
| 37 | 4001-035 | 1 | EA | Lock N16058BDxSFx2K Key 16120 | |
| 38 | 1702-507 | 1 | EA | Cam "J" Hook | |
| 40 | 9310-103 | 1 | EA | Cover Solenoid Panel 9310 | |
| 41 | 2600-413 | 1 | EA | Terminal Block-3 Position | |
| 42 | 2599-038 | 1 | EA | Label Radio 9310 | |
| 43 | 9310-006 | 1 | EA | Cover Plastic | |
| 50 | 4001-020 | 1 | EA | Terminal 20 Pin | |
| 51 | 4001-021 | 1 | EA | Key Polarizing Tyco 1437410-5 | |
| 52 | 2340-010 | 1 | EA | PCB Battery Backup | |
| 53 | 4403-010 | 1 | EA | PCB Gate Operator | |
| 55 | 2600-473 | 1 | EA | Marker Strip 460V 3Phase | |
| 56 | 3130-008 | 1 | EA | Terminal Block 5 pin | |
| 57 | 4001-093 | 1 | EA | MOV Assembly 130VAC | |
| 58 | 4001-094 | 1 | EA | MOV Assembly 3 Phase 510VAC | |
| 59 | 3129-005 | 1 | EA | Terminal Block Cover 5 Positio | |
| 60 | 2599-014 | 1 | EA | Decal Copper Wire Only | |
| 61 | 2599-006 | 1 | EA | Decal SUPPLY GND | |
| 63 | 2600-439 | 1 | EA | Washer Cup - Brass | |
| 65 | 2600-810 | 28 | EA | Bushing 7/8 Poke Thru Flaps | |
| 70 | 1200-028 | 2 | EA | Outlet Snap-In Leviton 1306 | |
| 71 | 2599-008 | 1 | EA | Label Patent | |

| | | | | |
|-----|----------|----|----|--------------------------------|
| 72 | 1215-018 | 1 | EA | Wire Nut #71B |
| 73 | 2600-753 | 2 | EA | Wire Crimp On #9 Full Insul |
| 75 | 2600-246 | 2 | EA | Limit Nut |
| 76 | 2600-248 | 1 | EA | Limit Nut w Magnet Assembly |
| 80 | 2599-096 | 1 | EA | Label Key Model 9310 |
| 81 | 1812-005 | 2 | EA | Switch Push Button N.O. |
| 83 | 2600-307 | 1 | EA | Bracket Wheel Lock 9300 |
| 85 | 2600-857 | 2 | EA | Spring-Compression Limits |
| 86 | 1804-024 | 2 | EA | Switch Micro No NC C |
| 90 | 9310-300 | 1 | EA | Bracket Partial Limit 9310 |
| 91 | 9310-301 | 1 | EA | Bracket Partial Limit Mt. 9310 |
| 92 | 1601-256 | 1 | EA | Switch Magnetic Sensor |
| 94 | 9310-102 | 1 | EA | Bracket Switch 9310 |
| 95 | 2600-731 | 1 | EA | Gasket Switch Cover |
| 96 | 2600-533 | 1 | EA | Switch Cover Dooring Lockable |
| 97 | 1506-071 | 1 | EA | Tone Generator Loud |
| 98 | 1601-041 | 1 | EA | Switch Toggle SPST 2POS |
| 99 | 1601-140 | 1 | EA | Switch Toggle 2 Pole On-Off |
| 100 | 2600-505 | 1 | EA | Cover Operator 9310 1/2 Hp |
| 101 | 2600-793 | 1 | EA | Hole Plug Blk Nylon 1.00" dia. |
| 102 | 2599-199 | 1 | EA | Label Universal |
| 103 | 2599-034 | 1 | EA | Label Gate Operator |
| 105 | 2600-732 | 1 | EA | Nameplate Plastic DKS |
| 106 | 2802-040 | 2 | EA | Washer Push on Clamp |
| 107 | 1897-052 | 2 | EA | Gasket, Microphone Support |
| 110 | 2630-011 | 1 | EA | Snap Ring 1" #3100-100ZD |
| 111 | 2630-015 | 2 | EA | Snap Ring 5/8" 5100-62-ZY |
| 120 | 2615-252 | 10 | EA | Bolt Whiz Lock 5/16-18 x 1/2 |
| 121 | 2615-052 | 6 | EA | Bolt Hex Head 3/8-16 x 1 |
| 122 | 2615-055 | 4 | EA | Bolt Hex Head 3/8-16 x 1 1/2 |
| 123 | 2615-035 | 2 | EA | Bolt Hex Head 5/8-11 x 2 1/2 |
| 124 | 2615-031 | 2 | EA | Bolt Hex Head 5/8-11 x 1 |
| 125 | 2615-002 | 4 | EA | Bolt Hex Head 1/4-20 x 1/2 |
| 130 | 2620-411 | 4 | EA | Nut Hex Flange Lock 5/16-18 |
| 131 | 2620-435 | 4 | EA | Nut Hex 5/8-11 |
| 132 | 2620-405 | 4 | EA | Nut Hex 3/8-16 |
| 133 | 2902-004 | 3 | EA | Nut Nylon Lock 8-32 |
| 134 | 2620-400 | 13 | EA | Nut Hex 6-32 |
| 135 | 2620-409 | 4 | EA | Nut Hex Flange Lock 1/4-20 |
| 136 | 2620-399 | 2 | EA | Nut Hex 00-90 Brass Zinc Plt |
| 137 | 2620-340 | 4 | EA | Nut Center Lock 1/4-20 |
| 140 | 2620-047 | 12 | EA | Lockwasher 3/8 |
| 142 | 2620-049 | 4 | EA | Lockwasher 5/8 |
| 143 | 2620-044 | 2 | EA | Lockwasher #8 |
| 144 | 2802-002 | 3 | EA | Washer #6 SAE |
| 145 | 2802-003 | 2 | EA | Washer #8 SAE |
| 146 | 2620-109 | 4 | EA | Washer 1/4 Split Lock |
| 150 | 2904-001 | 2 | EA | Screw Round Head 4-40 x 1/4 |
| 151 | 2616-017 | 2 | EA | Screw Phillips Head 8-32 x 3/8 |
| 152 | 2616-000 | 6 | EA | Screw Phillips Head 6-32 x 1/4 |
| 153 | 2616-018 | 3 | EA | Screw Phillips Head 8-32 x 1/2 |

| | | | | |
|-----|----------|----|----|------------------------------------|
| 154 | 2616-002 | 2 | EA | Screw Phillips Head 6-32 x 1/2 |
| 155 | 2616-003 | 4 | EA | Screw Phillips Head 6-32 x 3/4 |
| 156 | 2904-003 | 4 | EA | Screw Round Head 4-40 x 1/2 |
| 157 | 2616-019 | 4 | EA | Screw Phillips Head 8-32 x 3/4 |
| 158 | 2616-007 | 2 | EA | Screw Phillips Head 6-32 x 5/8 |
| 159 | 2616-000 | 4 | EA | Screw Phillips Head 6-32 x 1/4 |
| 160 | 2616-051 | 2 | EA | Screw Phillips 10-32 x 3/8 |
| 161 | 2616-031 | 2 | EA | Screw Flat Head #0-90 x 1/4 Slot |
| 170 | 9300-043 | 1 | EA | Wire Set 9310 115/230 Single Phase |
| 171 | 2340-164 | 1 | EA | Wire Set BB 6100,6300,9150 |
| 172 | 7082-192 | 1 | EA | Wire Blue 18AWG 24" |
| 173 | 7082-193 | 1 | EA | Wire MiniFit Recept Start Cap |
| 174 | 7082-305 | 1 | EA | Wire 14" Violet 187 Fast/Diode |
| 175 | 2600-858 | 1 | EA | Accessory Box 9300 Operator |
| 176 | 2599-100 | 2 | EA | Sign Warning |
| 177 | 9402-053 | 12 | IN | Tubing Flex/Slit 1/4OD |
| 178 | 9310-065 | 1 | EA | Manual |