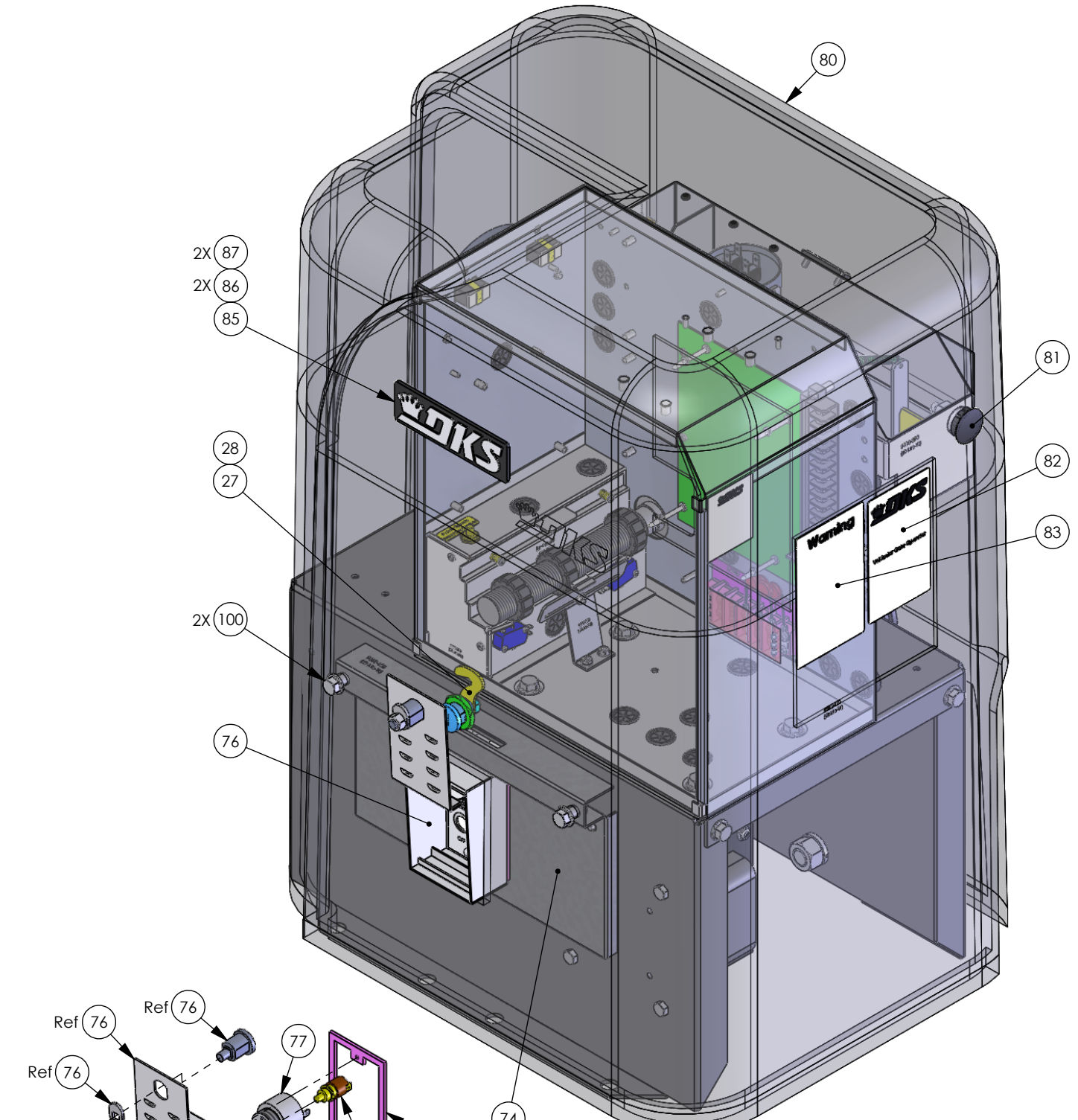



REVISIONS

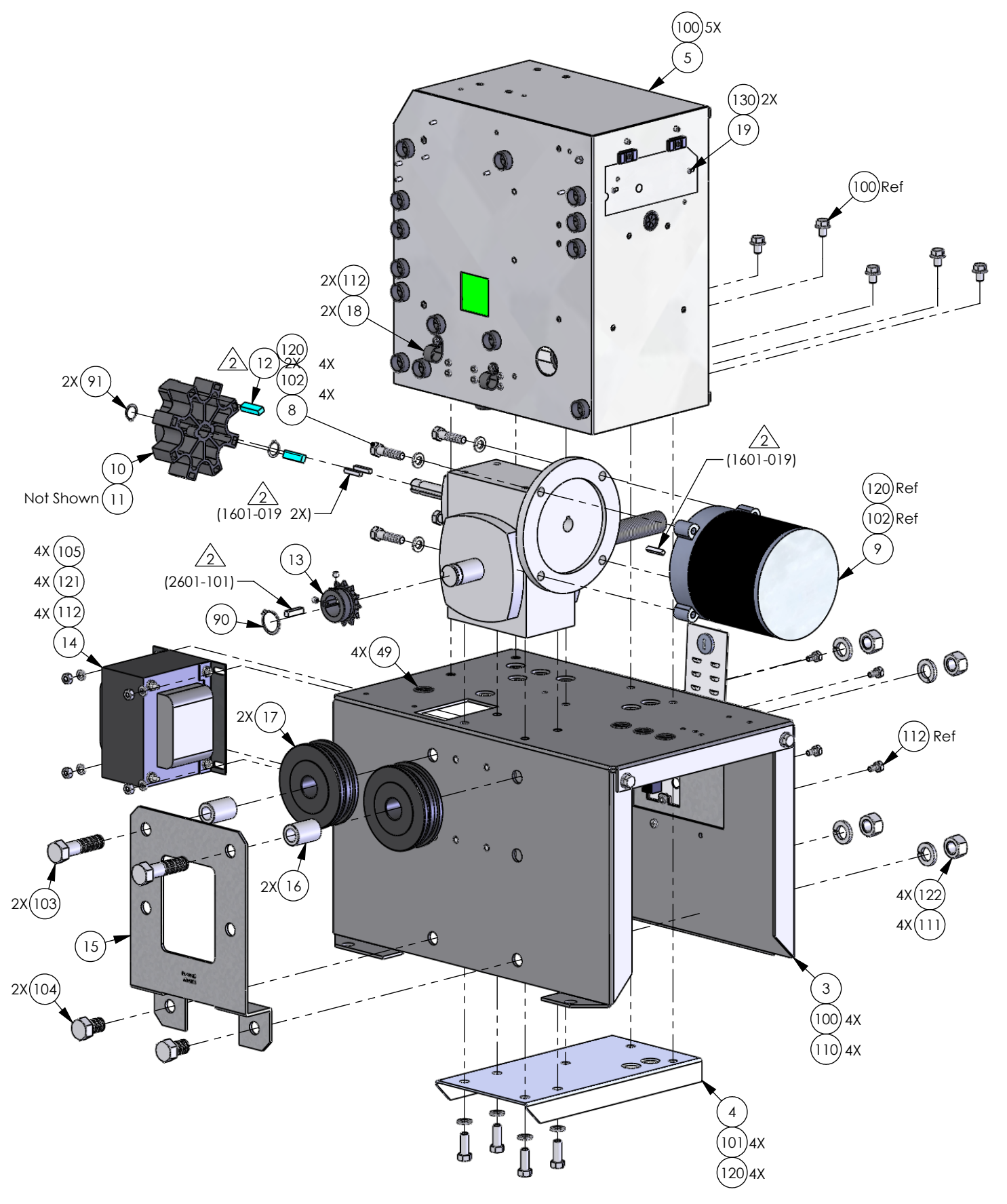
EO	REV	DESCRIPTION	Drawn	APPR
---	F	Added Item 87.	Sal 10/20/08	D.C. 10/20/08

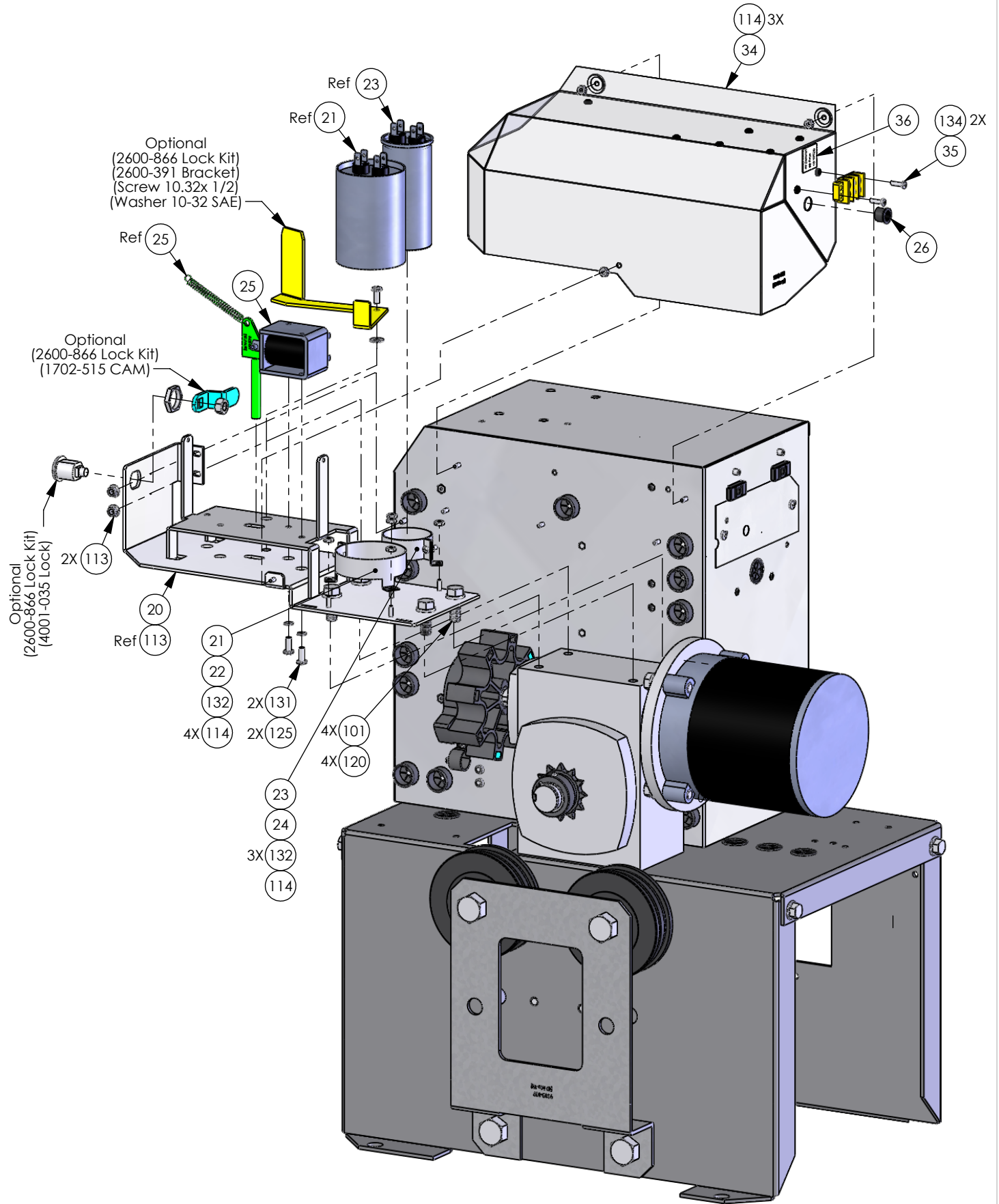


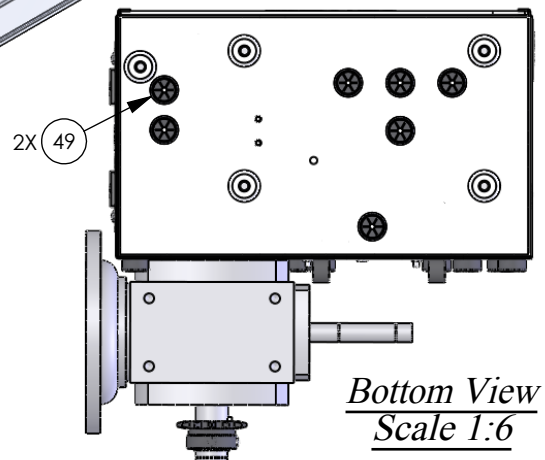
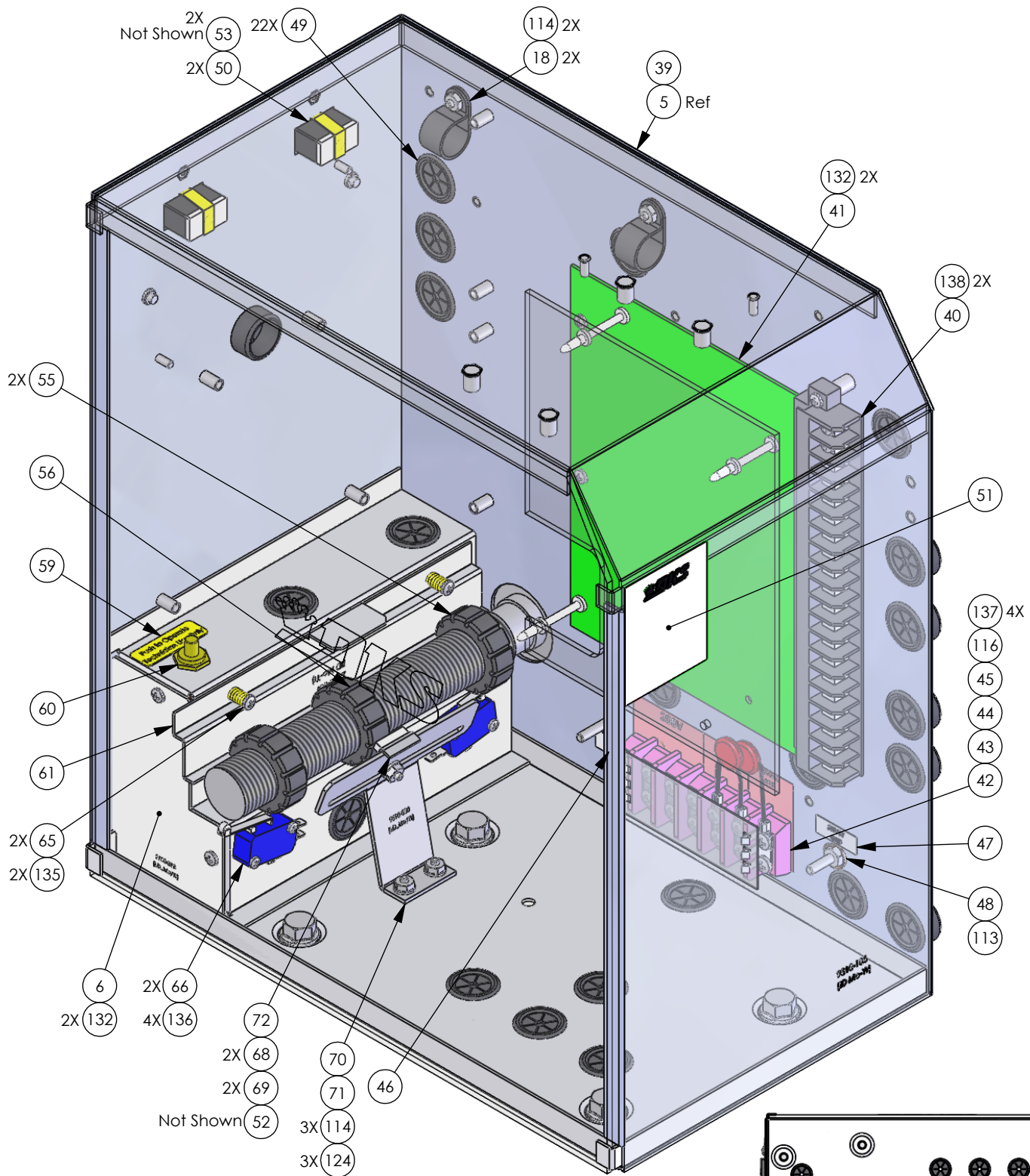
- 3. Wire Sets, Signs, Tubing, & Manual (Items 140-146) Not Shown for Clarity.
- △ Apply Loctite (XX-24231) as indicated.
- 1. See attached reference sheet for BOM; Reference Movex 9310-084 Rev F.

Notes: Unless Otherwise Specified.

<p><b>PROPRIETARY AND CONFIDENTIAL</b></p> <p>THE INFORMATION CONTAINED IN THIS DRAWING IS THE SOLE PROPERTY OF Door King. ANY REPRODUCTION IN PART OR AS A WHOLE WITHOUT THE WRITTEN PERMISSION OF Door King IS PROHIBITED.</p>	DRAWN	NAME	DATE	 <b>IPB-Model 9310-084, Slide Gate Operator 1/2 HP, 460V</b>
	CHECKED	Sal	02/13/08	
	COMMENTS:			
	SIZE	DWG. NO.	REV	
	A	9310-884	F	Scale: None
				SHEET 1 OF 7

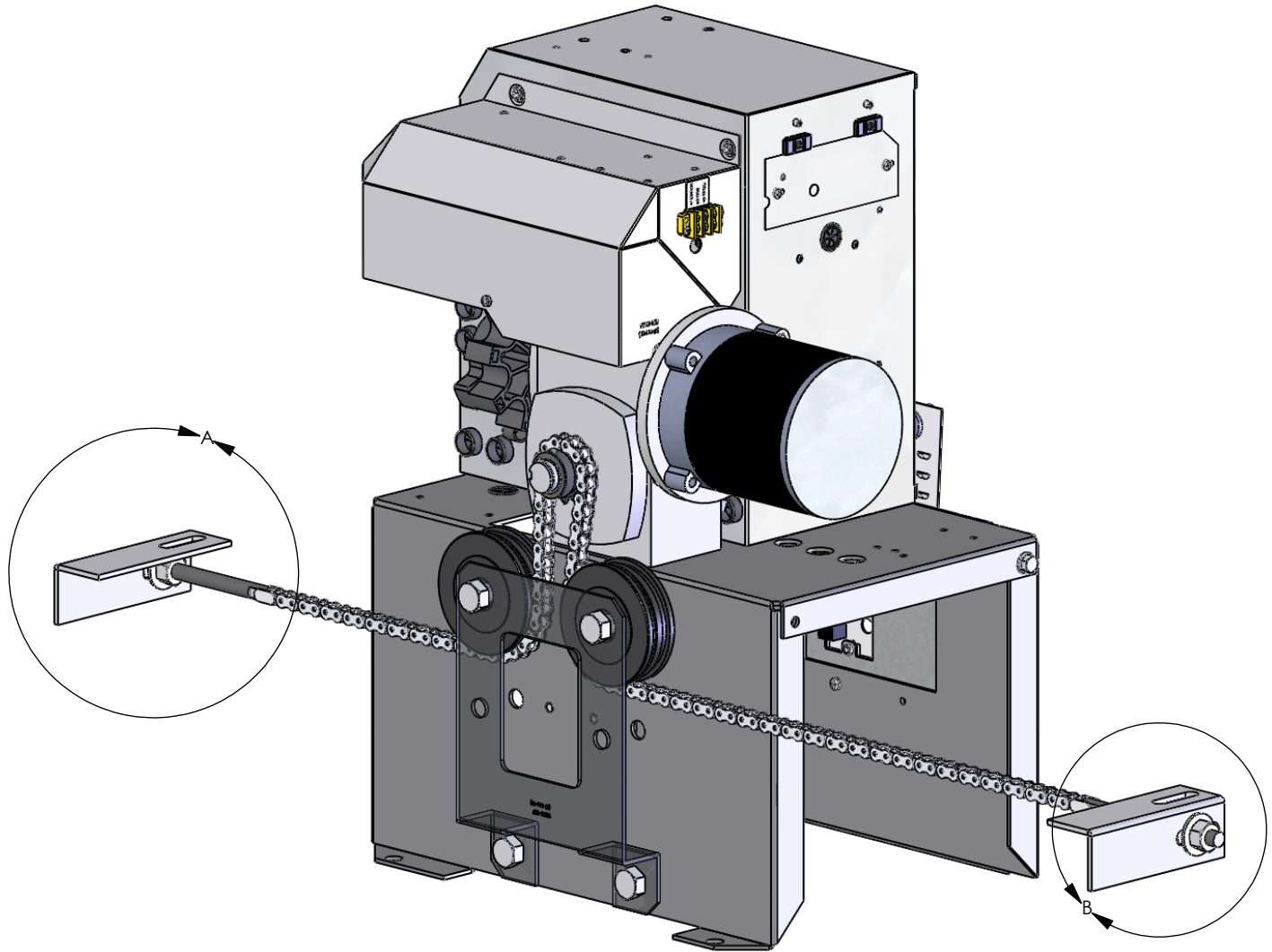
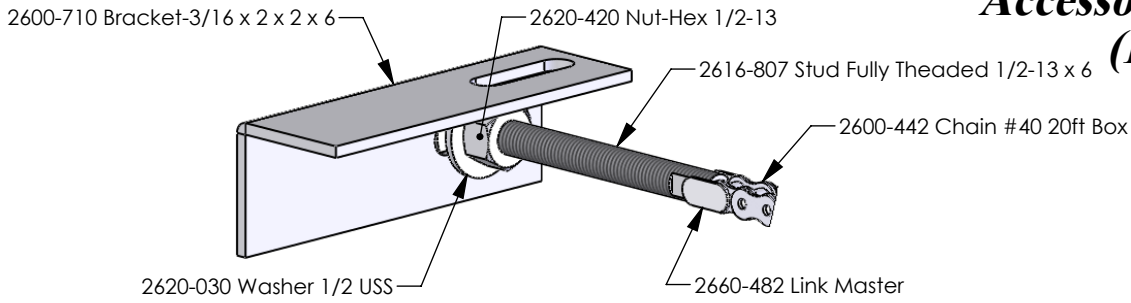




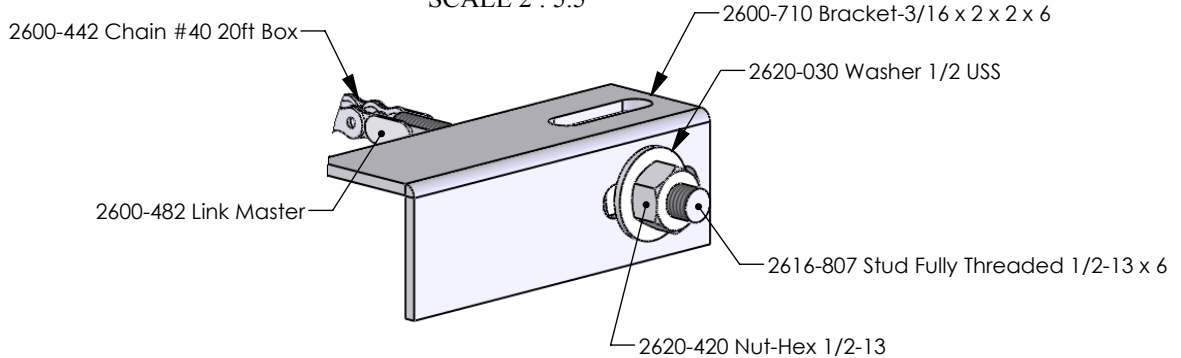


**This Page Represents  
Accessory Kit 2600-858  
(Item 143)**

**DETAIL A  
SCALE 2 : 5.5**



**DETAIL B  
SCALE 2 : 5.5**



Item	Part Number	Qty	UM	Description	Rev
1	9310-884	1	EA	IBP-Slide Gate Operator 1/2 HP 460V	F
3	9310-304	1	EA	Base 9310	
4	2600-305	1	EA	Base Stiffener Model 9300	
5	9310-106	1	EA	Box Control 9310	
6	2600-318	1	EA	Bracket Wire Cover	
8	2600-350	1	EA	Gearbox LIM-60D 10:1 9310	
9	2600-156	1	EA	Motor 1/2 HP C Face Emerson	
10	2600-365	1	EA	Lock Sprocket Nylon ST801	
11	2599-220	1	EA	Label Caution Remove Rod	
12	2600-908	2	EA	Magnet Rectangular	
13	2600-366	1	EA	Sprocket 12 tooth 1" Bore #41	
14	4001-096	1	EA	Transformer 460/230/208-115V	
15	9310-109	1	EA	Bracket Idler 9310	
16	2600-888	2	EA	Bushing 9300 1.5L x 1.0 OD x .63 ID	
17	2600-398	2	EA	Idler Chain	
18	2600-619	4	EA	Wire Clp-5/8 Concord 770-1209	
19	2600-945	1	EA	Cover Plastic Insulator	
20	9310-390	1	EA	Panel Solenoid 9310	
21	2600-875	1	EA	Capacitor Mounting Clamp	
22	2600-102	1	EA	Capacitor 50uf 370VAC	
23	2600-239	1	EA	Capacitor Clamp VR6B	
24	2600-234	1	EA	Capacitor 30uf 370VAC	
25	2600-861	1	EA	Solenoid Lock Assy 9310	
26	2600-820	1	EA	Bushing 1/2	
27	4001-035	1	EA	Lock N16058BDxSFx2K Key 16120	
28	1702-507	1	EA	Cam "J" Hook	
34	9310-103	1	EA	Cover Solenoid Panel 9310	
35	2600-413	1	EA	Terminal Block-3 Position	
36	2599-038	1	EA	Label Radio 9310	
39	9310-006	1	EA	Cover Plastic	
40	4001-020	1	EA	Terminal 20 Pin	
41	4403-010	1	EA	PCB Gate Operator	
42	2600-473	1	EA	Marker Strip 460V 3Phase	
43	3130-008	1	EA	Terminal Block 5 pin	
44	4001-094	1	EA	MOV Assembly 3 Phase 510VAC	
45	3129-005	1	EA	Terminal Block Cover 5 Positio	
46	2599-014	1	EA	Decal Copper Wire Only	
47	2599-006	1	EA	Decal SUPPLY GND	
48	2600-439	1	EA	Washer Cup - Brass	
49	2600-810	28	EA	Bushing 7/8 Poke Thru Flaps	
50	1200-028	2	EA	Outlet Snap-In Leviton 1306	
51	2599-008	1	EA	Label Patent	
52	1215-018	1	EA	Wire Nut #71B	
53	2600-753	2	EA	Wire Crimp On #9 Full Insul	
55	2600-246	2	EA	Limit Nut	
56	2600-248	1	EA	Limit Nut w Magnet Assembly	
59	2599-096	1	EA	Label Key Model 9310	
60	1812-005	2	EA	Switch Push Button N.O.	
61	2600-307	1	EA	Bracket Wheel Lock 9300	
65	2600-857	2	EA	Spring-Compression Limits	
66	1804-024	2	EA	Switch Micro No NC C	
68	2616-031	2	EA	Screw Flat Head #0-90x1/4 Slot	

69	2620-399	2	EA	Nut Hex 00-90 Brass Zinc Plt
70	9310-300	1	EA	Bracket Partial Limit 9310
71	9310-301	1	EA	Bracket Partial Limit Mt. 9310
72	1601-256	1	EA	Switch Magnetic Sensor
74	9310-102	1	EA	Bracket Switch 9310
75	2600-731	1	EA	Gasket Switch Cover
76	2600-533	1	EA	Switch Cover Doorcking Lockable
77	1506-071	1	EA	Tone Generator Loud
78	1601-140	1	EA	Switch Toggle 2 Pole On-Off
80	2600-505	1	EA	Cover Operator 9310 1/2 Hp
81	2600-793	1	EA	Hole Plug Blk Nylon 1.00" dia.
82	2599-199	1	EA	Label Universal
83	2599-034	1	EA	Label Gate Operator
85	2600-732	1	EA	Nameplate Plastic DKS
86	2802-040	2	EA	Washer Push on Clamp
87	1897-052	2	EA	Gasket, Microphone Support
90	2630-011	1	EA	Snap Ring 1" #3100-100ZD
91	2630-015	2	EA	Snap Ring 5/8" 5100-62-ZY
100	2615-252	11	EA	Bolt Whiz Lock 5/16-18 x 1/2
101	2615-052	8	EA	Bolt Hex Head 3/8-16 x 1
102	2615-055	4	EA	Bolt Hex Head 3/8-16 x 1 1/2
103	2615-035	2	EA	Bolt Hex Head 5/8-11 x 2 1/2
104	2615-031	2	EA	Bolt Hex Head 5/8-11 x 1
105	2615-002	4	EA	Bolt Hex Head 1/4-20 x 1/2
110	2620-411	4	EA	Nut Hex Flange Lock 5/16-18
111	2620-435	4	EA	Nut Hex 5/8-11
112	2620-340	4	EA	Nut Center Lock 1/4-20
113	2902-004	3	EA	Nut Nylon Lock 8-32
114	2620-400	14	EA	Nut Hex 6-32
116	4001-021	1	EA	Key Polarizing Tyco 1437410-5
120	2620-047	15	EA	Lockwasher 3/8
121	2620-109	4	EA	Washer 1/4 Split Lock
122	2620-049	4	EA	Lockwasher 5/8
124	2620-019	3	EA	Washer 3/8 SAE
125	2620-010	2	EA	Washer #10 SAE
130	2904-001	2	EA	Screw Round Head 4-40 x 1/4
131	1816-039	2	EA	Screw 10-32 x 1/4
132	2616-000	6	EA	Screw Phillips Head 6-32 x 1/4
134	2616-002	2	EA	Screw Phillips Head 6-32 x 1/2
135	2616-003	2	EA	Screw Phillips Head 6-32 x 3/4
136	2904-004	4	EA	Screw Round Head 4-40 x 5/8
137	2616-019	4	EA	Screw Phillips Head 8-32 x 3/4
138	2616-007	2	EA	Screw Phillips Head 6-32 x 5/8
139	2616-051	2	EA	Screw Phillips 10-32 x 3/8
140	9300-043	1	EA	Wire Set 9310 115/230 Single Phase
141	7082-192	1	EA	Wire Blue 18AWG 24"
142	7082-193	1	EA	Wire MiniFit Recept Start Cap
143	2600-858	1	EA	Accessory Box 9300 Operator
144	2599-100	2	EA	Sign Warning
145	9402-053	12	IN	Tubing Flex/Slit 1/4OD
146	9310-065	1	EA	Manual