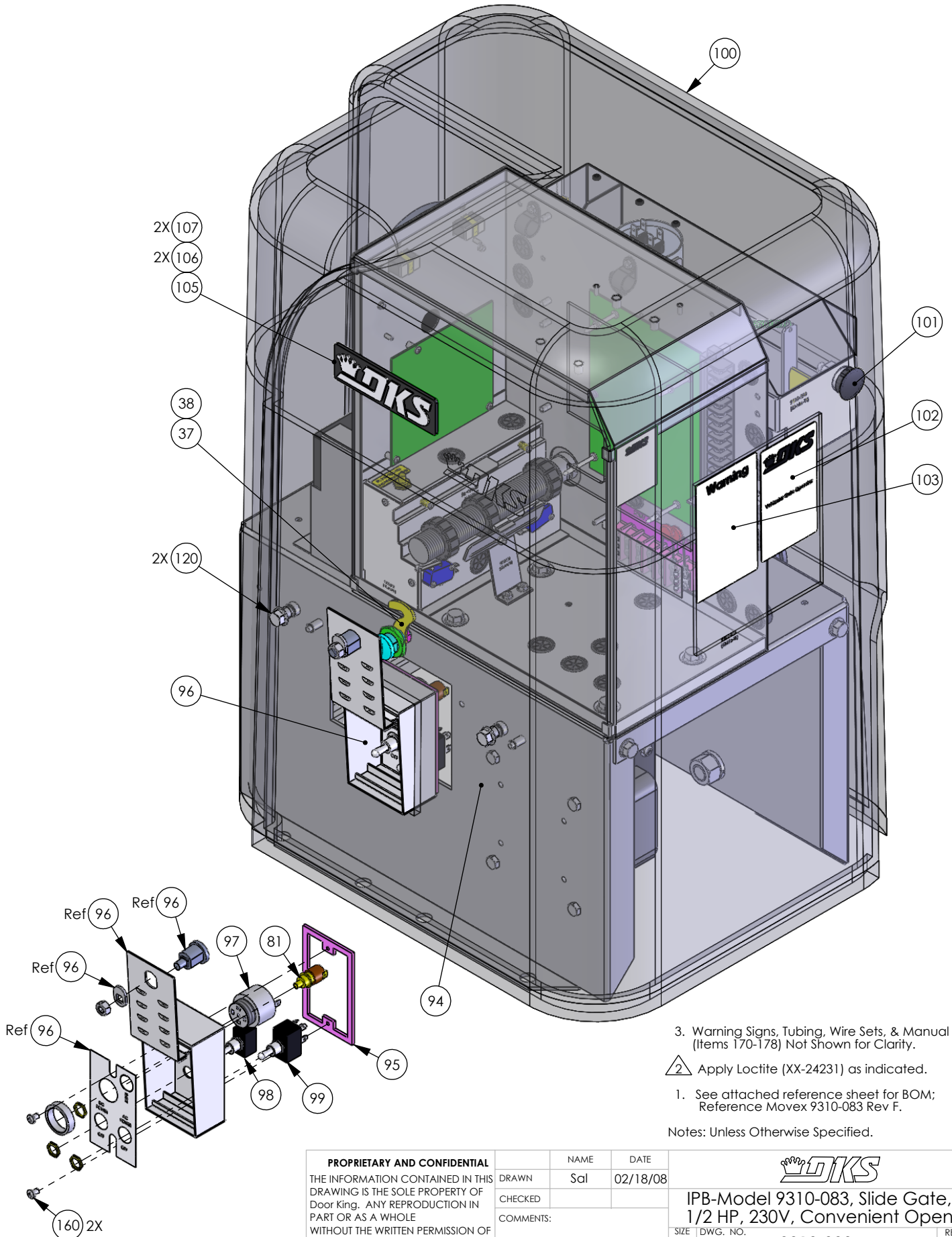


REVISIONS

EO	REV	DESCRIPTION	Drawn	APPR
---	F	Added Item 107.	Sal 10/20/08	D.C. 10/20/08



3. Warning Signs, Tubing, Wire Sets, & Manual (Items 170-178) Not Shown for Clarity.

2. Apply Loctite (XX-24231) as indicated.

1. See attached reference sheet for BOM; Reference Movex 9310-083 Rev F.

Notes: Unless Otherwise Specified.

PROPRIETARY AND CONFIDENTIAL
 THE INFORMATION CONTAINED IN THIS DRAWING IS THE SOLE PROPERTY OF Door King. ANY REPRODUCTION IN PART OR AS A WHOLE WITHOUT THE WRITTEN PERMISSION OF Door King IS PROHIBITED.

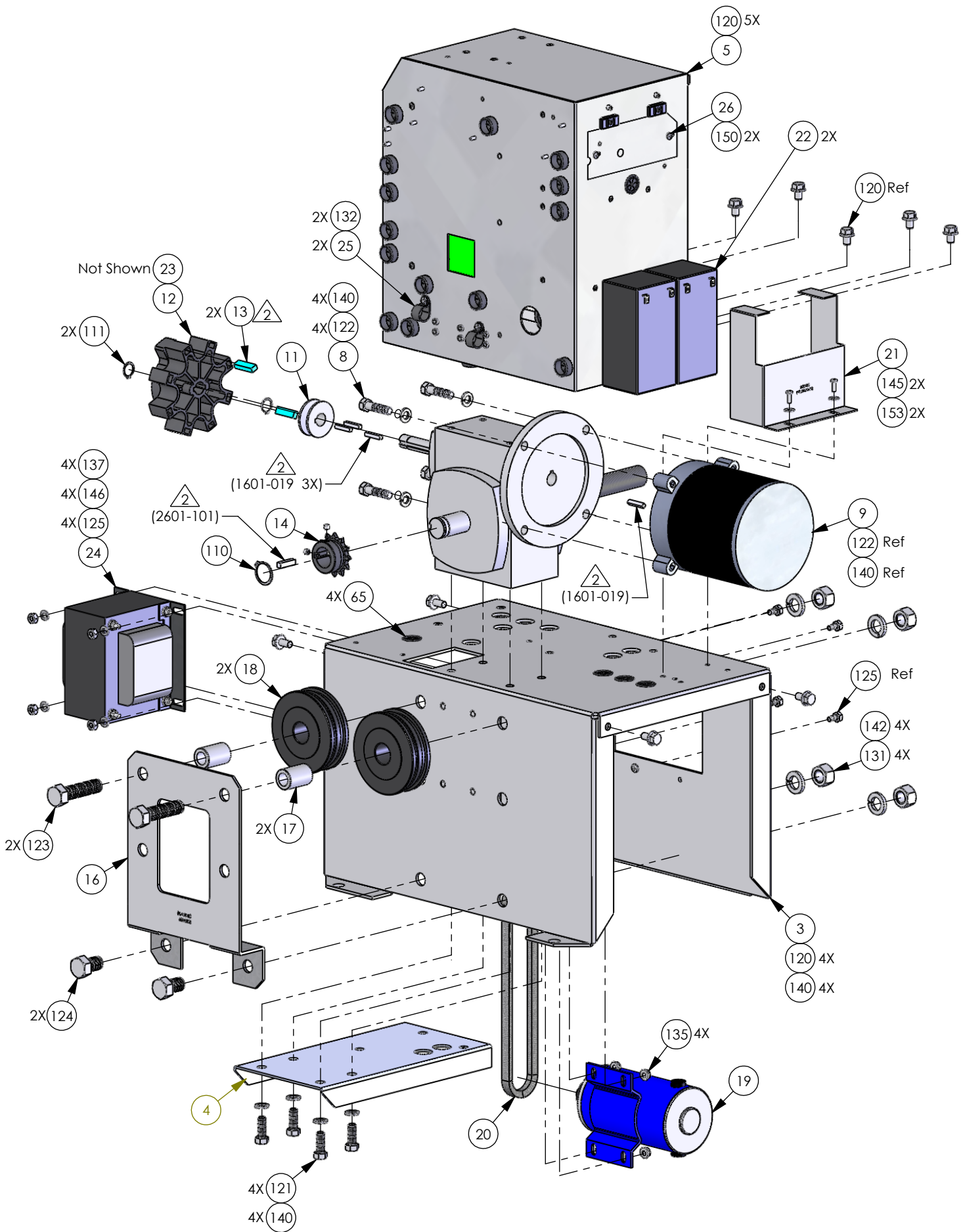
	NAME	DATE
DRAWN	Sal	02/18/08
CHECKED		
COMMENTS:		

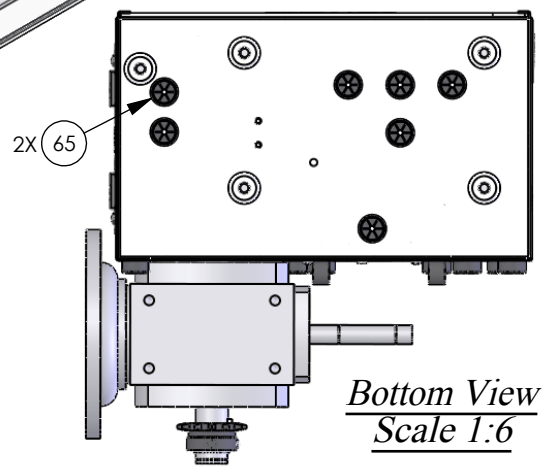
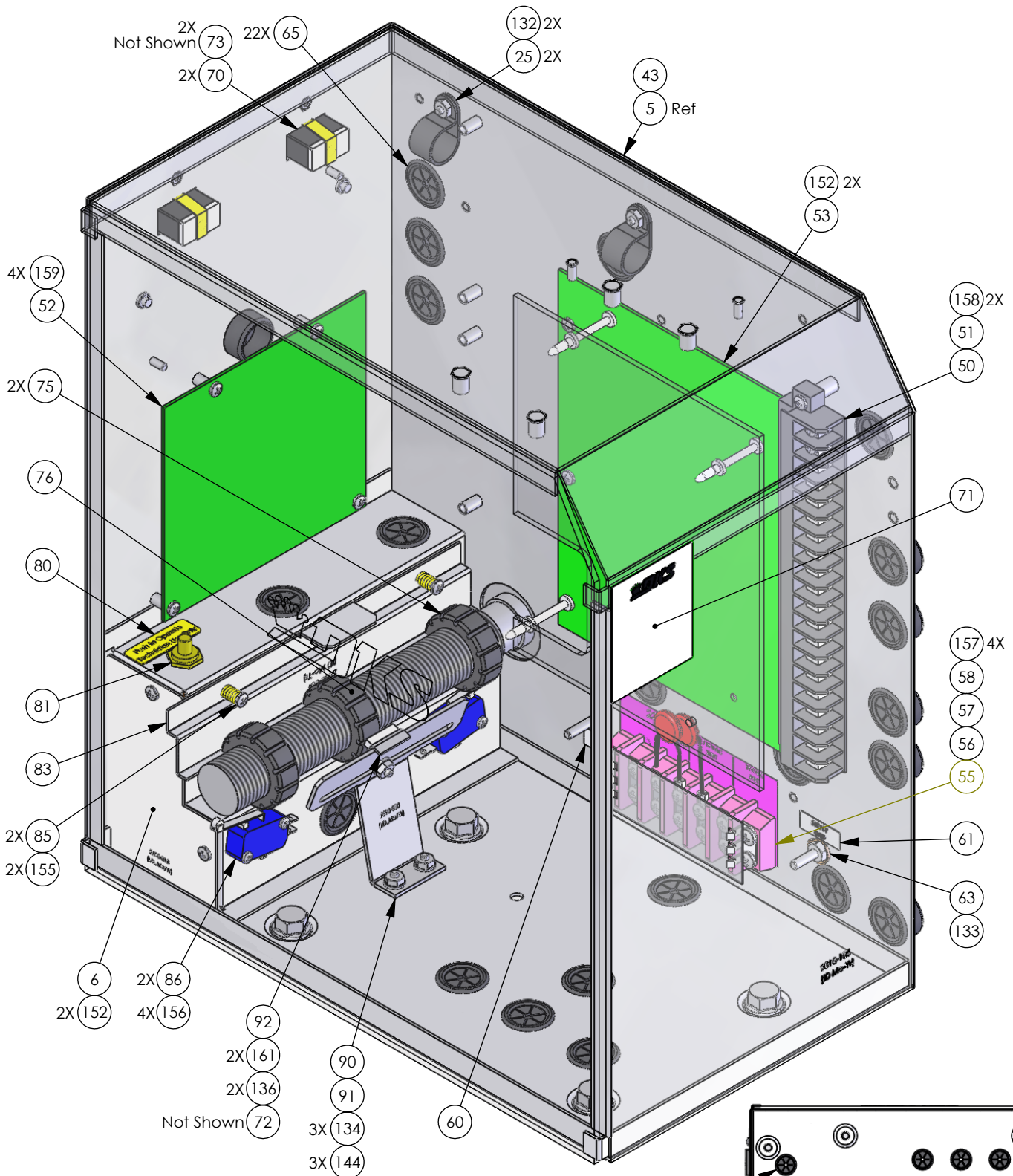


IPB-Model 9310-083, Slide Gate, 1/2 HP, 230V, Convenient Open

SIZE	DWG. NO.	REV
A	9310-883	F

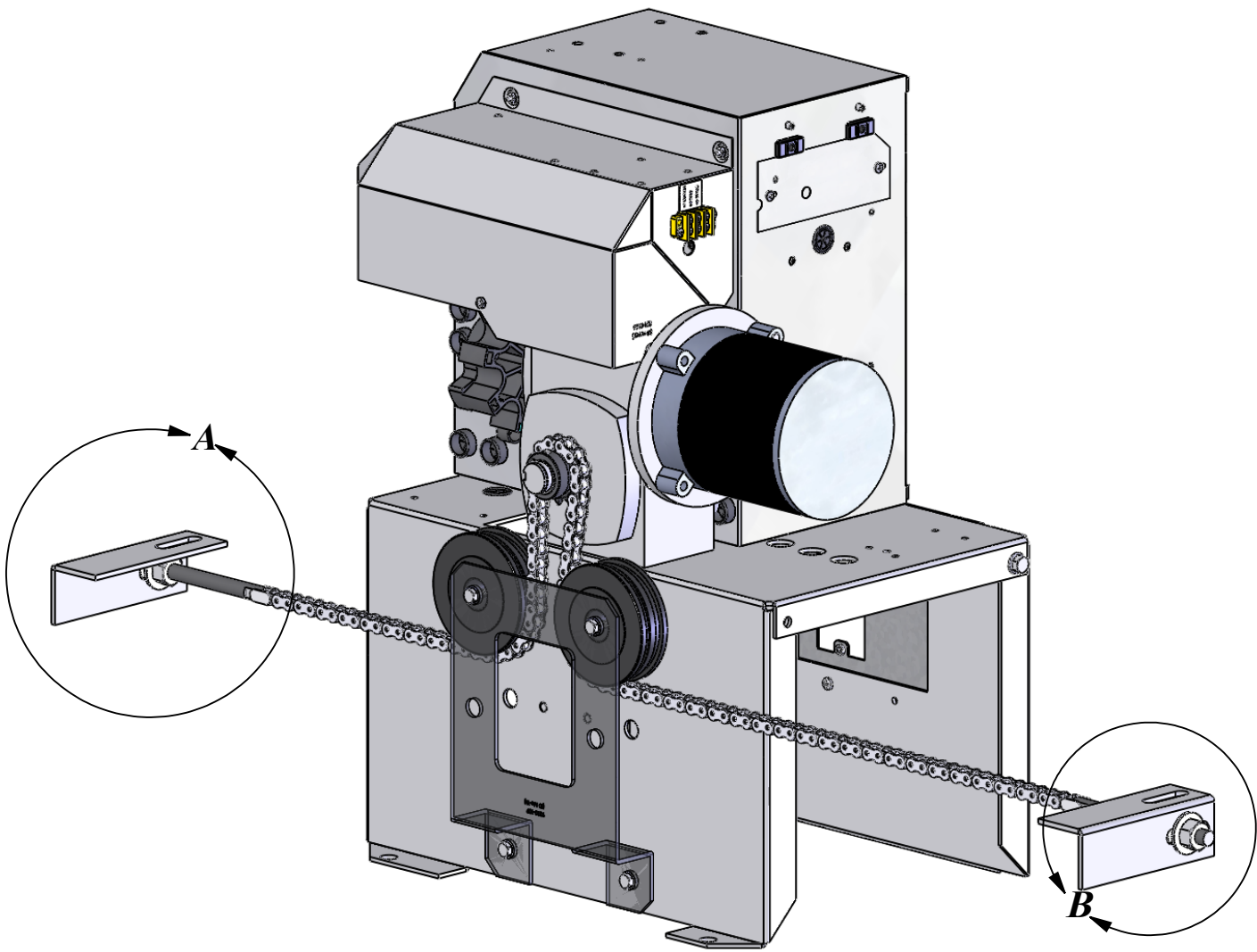
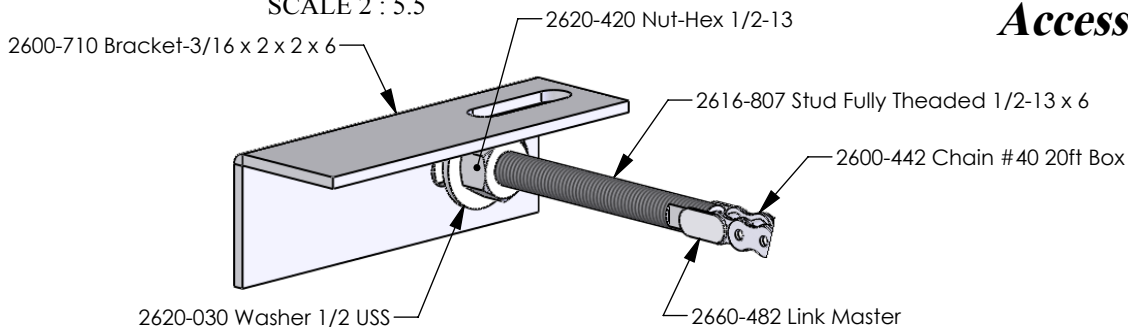
Scale: None SHEET 1 OF 8



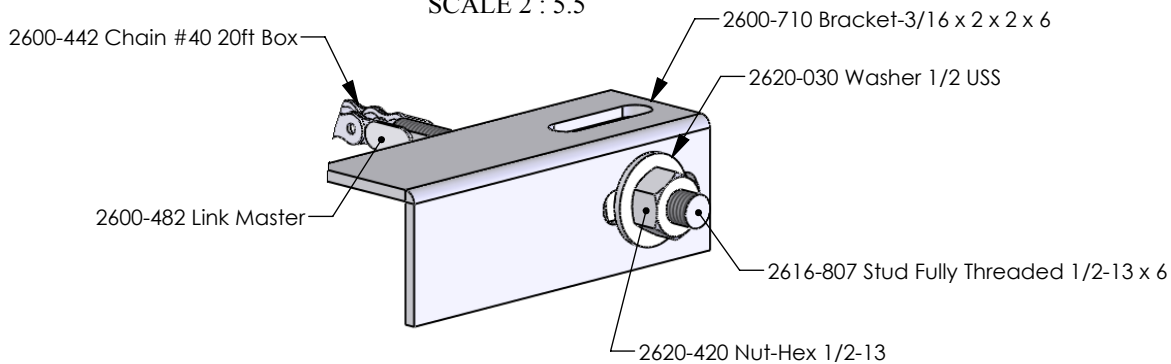


**This Page Represents
Accessory Kit 2600-858
(Item 175)**

**DETAIL A
SCALE 2 : 5.5**



**DETAIL B
SCALE 2 : 5.5**



Item	Part Number	Qty	UM	Description	Rev
1	9310-883	1	EA	IBP-Slide Gate Operator 1/2 HP, 230V, Convenient Open	F
3	9310-304	1	EA	Base 9310	
4	2600-305	1	EA	Base Stiffener Model 9300	
5	9310-106	1	EA	Box Control 9310	
6	2600-318	1	EA	Bracket Wire Cover	
8	2600-350	1	EA	Gearbox LIM-60D 10:1 9310	
9	2600-156	1	EA	Motor 1/2 HP C Face Emerson	
11	2600-219	1	EA	Pulley-1 3/4 OD x 5/8 Shaft	
12	2600-365	1	EA	Lock Sprocket Nylon ST801	
13	2600-908	2	EA	Magnet Rectangular	
14	2600-366	1	EA	Sprocket 12 tooth 1" Bore #41	
16	9310-109	1	EA	Bracket Idler 9310	
17	2600-888	2	EA	Bushing 9300 1.5L x 1.0 OD x 63 ID	
18	2600-398	2	EA	Idler Chain	
19	2600-197	1	EA	Motor 24VDC For BB	
20	2600-699	1	EA	Belt 23" 4L230	
21	2600-303	1	EA	Bracket Battery Holder 9300	
22	1801-009	2	EA	Battery 12V 3.0 AmpHour PS1230	
23	2599-220	1	EA	Label Caution Remove Rod	
24	4001-096	1	EA	Transformer 460/230/208-115V	
25	2600-619	4	EA	Wire Clip-5/8 Concord 770-1209	
26	2600-945	1	EA	Cover Plastic Insulator	
27	2600-820	1	EA	Bushing 1/2	
30	9310-390	1	EA	Panel Solenoid 9310	
31	2600-875	1	EA	Capacitor Mounting Clamp	
32	2600-102	1	EA	Capacitor 50uf 370VAC	
33	2600-239	1	EA	Capacitor Clamp VR6B	
34	2600-234	1	EA	Capacitor 30uf 370VAC	
35	2600-861	1	EA	Solenoid Lock Assy 9310	
37	4001-035	1	EA	Lock N16058BDxSFx2K Key 16120	
38	1702-507	1	EA	Cam "J" Hook	
40	9310-103	1	EA	Cover Solenoid Panel 9310	
41	2600-413	1	EA	Terminal Block-3 Position	
42	2599-038	1	EA	Label Radio 9310	
43	9310-006	1	EA	Cover Plastic	
50	4001-020	1	EA	Terminal 20 Pin	
51	4001-021	1	EA	Key Polarizing Tyco 1437410-5	
52	2340-010	1	EA	PCB Battery Backup	
53	4403-010	1	EA	PCB Gate Operator	
55	2600-469	1	EA	Marker Strip 230V 1Phase	
56	3130-008	1	EA	Terminal Block 5 pin	
57	4001-093	1	EA	MOV Assembly 130VAC	
59	3129-005	1	EA	Terminal Block Cover 5 Positio	
60	2599-014	1	EA	Decal Copper Wire Only	
61	2599-006	1	EA	Decal SUPPLY GND	
63	2600-439	1	EA	Washer Cup - Brass	
65	2600-810	28	EA	Bushing 7/8 Poke Thru Flaps	
70	1200-028	2	EA	Outlet Snap-In Leviton 1306	
71	2599-008	1	EA	Label Patent	
72	1215-018	1	EA	Wire Nut #71B	

73	2600-753	2	EA	Wire Crimp On #9 Full Insul
75	2600-246	2	EA	Limit Nut
76	2600-248	1	EA	Limit Nut w Magnet Assembly
80	2599-096	1	EA	Label Key Model 9310
81	1812-005	2	EA	Switch Push Button N.O.
83	2600-307	1	EA	Bracket Wheel Lock 9300
85	2600-857	2	EA	Spring-Compression Limits
86	1804-024	2	EA	Switch Micro No NC C
87	1897-052	2	EA	Gasket, Microphone Support
90	9310-300	1	EA	Bracket Partial Limit 9310
91	9310-301	1	EA	Bracket Partial Limit Mt. 9310
92	1601-256	1	EA	Switch Magnetic Sensor
94	9310-102	1	EA	Bracket Switch 9310
95	2600-731	1	EA	Gasket Switch Cover
96	2600-533	1	EA	Switch Cover Dooring Lockable
97	1506-071	1	EA	Tone Generator Loud
98	1601-041	1	EA	Switch Toggle SPST 2POS
99	1601-140	1	EA	Switch Toggle 2 Pole On-Off
100	2600-505	1	EA	Cover Operator 9310 1/2 Hp
101	2600-793	1	EA	Hole Plug Blk Nylon 1.00" dia.
102	2599-199	1	EA	Label Universal
103	2599-034	1	EA	Label Gate Operator
105	2600-732	1	EA	Nameplate Plastic DKS
106	2802-040	2	EA	Washer Push on Clamp
107	1897-052	2	EA	Gasket, Microphone Support
110	2630-011	1	EA	Snap Ring 1" #3100-100ZD
111	2630-015	2	EA	Snap Ring 5/8 5100-62-ZY
120	2615-252	10	EA	Bolt Whiz Lock 5/16-18 x 1/2
121	2615-052	6	EA	Bolt Hex Head 3/8-16 x 1
122	2615-055	4	EA	Bolt Hex Head 3/8-16 x 1 1/2
123	2615-035	2	EA	Bolt Hex Head 5/8-11 x 2 1/2
124	2615-031	2	EA	Bolt Hex Head 5/8-11 x 1
125	2615-002	4	EA	Bolt Hex Head 1/4-20 x 1/2
130	2620-411	4	EA	Nut Hex Flange Lock 5/16-18
131	2620-435	4	EA	Nut Hex 5/8-11
132	2620-405	4	EA	Nut Hex 3/8-16
133	2902-004	3	EA	Nut Nylon Lock 8-32
134	2620-400	13	EA	Nut Hex 6-32
135	2620-409	4	EA	Nut Hex Flange Lock 1/4-20
136	2620-399	2	EA	Nut Hex 00-90 Brass Zinc Plt
137	2620-340	4	EA	Nut Center Lock 1/4-20
140	2620-047	12	EA	Lockwasher 3/8
142	2620-049	4	EA	Lockwasher 5/8
143	2620-044	2	EA	Lockwasher #8
144	2802-002	3	EA	Washer #6 SAE
145	2802-003	2	EA	Washer #8 SAE
146	2620-109	4	EA	Washer 1/4" Split Lock
150	2904-001	2	EA	Screw Round Head 4-40 x 1/4
151	2616-017	2	EA	Screw Phillips Head 8-32 x 3/8
152	2616-000	6	EA	Screw Phillips Head 6-32 x 1/4
153	2616-018	3	EA	Screw Phillips Head 8-32 x 1/2

154	2616-002	2	EA	Screw Phillips Head 6-32 x 1/2
155	2616-003	4	EA	Screw Phillips Head 6-32 x 3/4
156	2904-003	4	EA	Screw Round Head 4-40 x 1/2
157	2616-019	4	EA	Screw Phillips Head 8-32 x 3/4
158	2616-007	2	EA	Screw Phillips Head 6-32 x 5/8
159	2616-000	4	EA	Screw Phillips Head 6-32 x 1/4
160	2616-051	2	EA	Screw Phillips 10-32 x 3/8
161	2616-031	2	EA	Screw Flat Head #0-90 x 1/4 Slot
170	9300-043	1	EA	Wire Set 9310 115/230 Single P
171	2340-164	1	EA	Wire Set BB 6100,6300,9150
172	7082-192	1	EA	Wire Blue 18AWG 24"
173	7082-193	1	EA	Wire MiniFit Recept Start Cap
174	7082-305	1	EA	Wire 14" Violet 187 Fast/Diode
175	2600-858	1	EA	Accessory Box 9300 Operator
176	2599-100	2	EA	Sign Warning
177	9402-053	12	IN	Tubing Flex/Slit 1/4OD
178	9310-065	1	EA	Manual