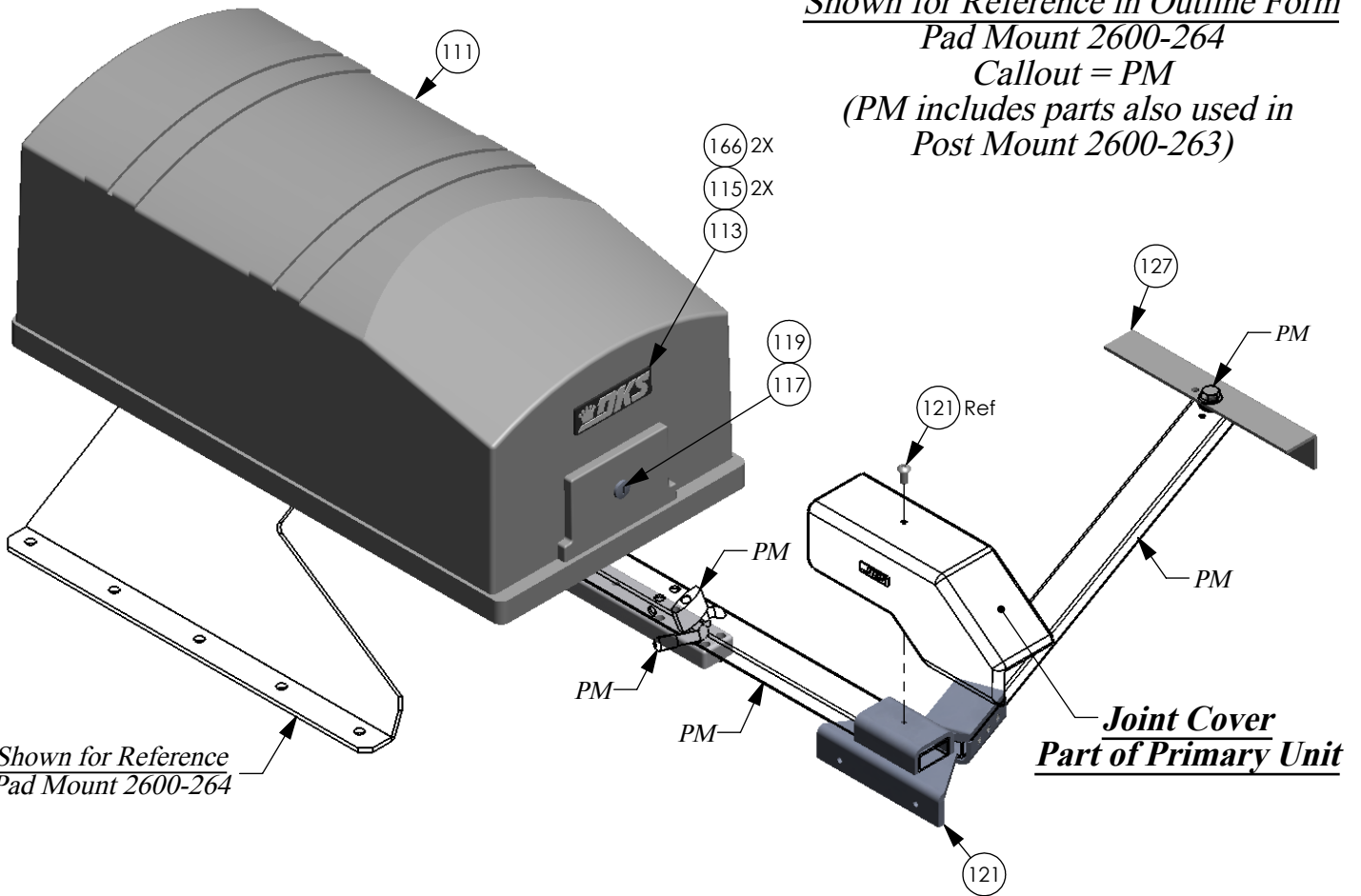
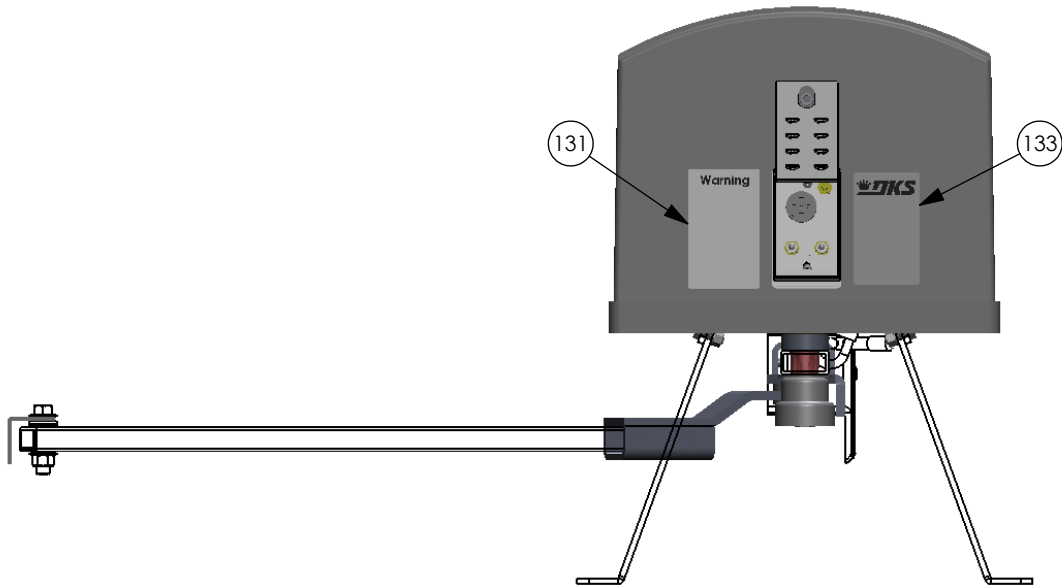


EO	REV	DESCRIPTION	Drawn	APPR
---	M	Added Item 92. Revised 91 & 93 Positions. Deleted Items Was: 29, 31, 87, 88, 101, 151, 157,211.	Sal 07/16/08	D.C. 07/16/08
---	N	Added Items 116 & 210; Revised Item 158 Was: 2616-002; Deleted Items 166 & 211 Was: 2620-019 & 2340-065.	Sal 09/19/08	D.C. 09/19/08

Shown for Reference in Outline Form
Pad Mount 2600-264
Callout = PM
(PM includes parts also used in
Post Mount 2600-263)




Shown for Reference
Pad Mount 2600-264



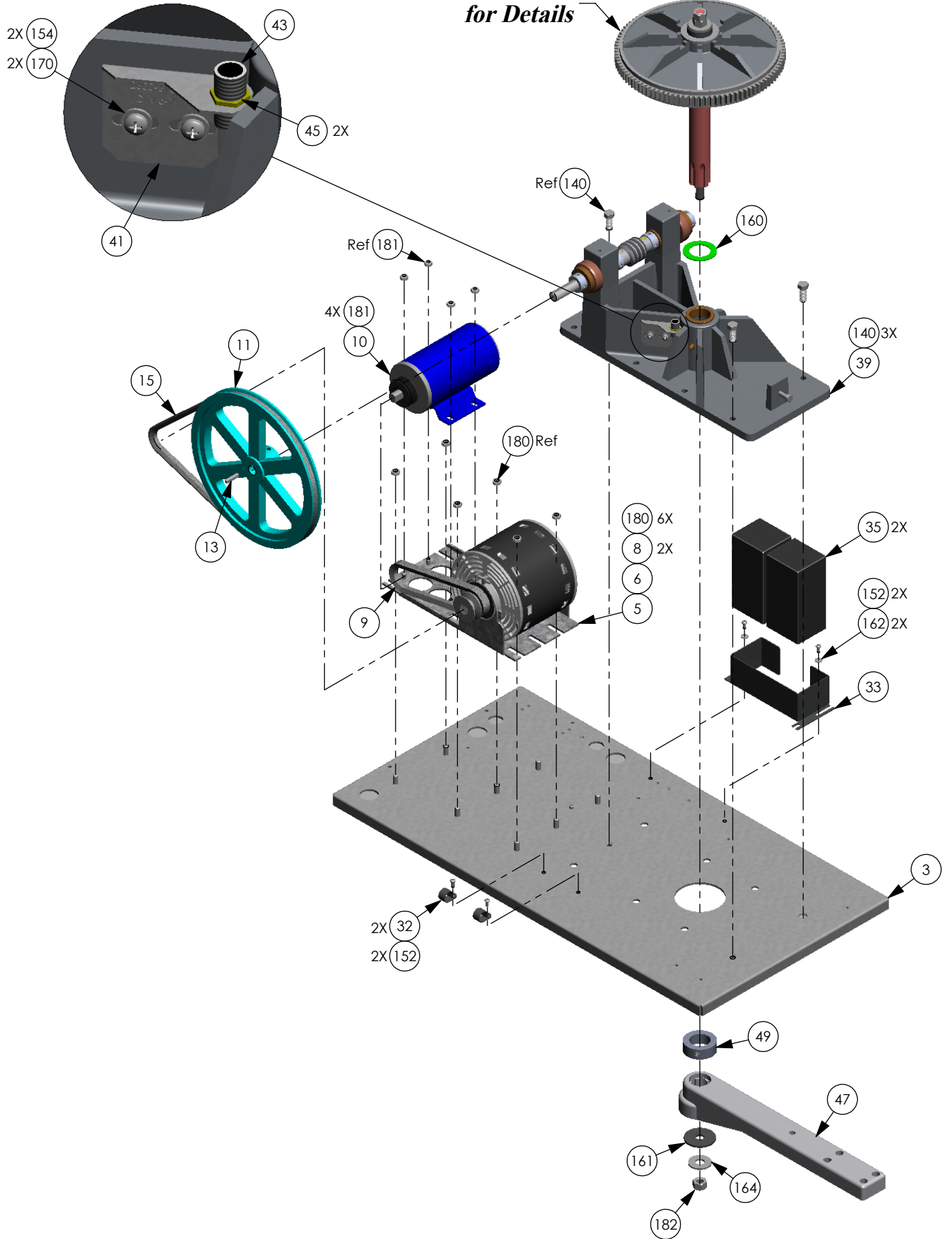
2. Items 200-211 Not Shown for Clarity.

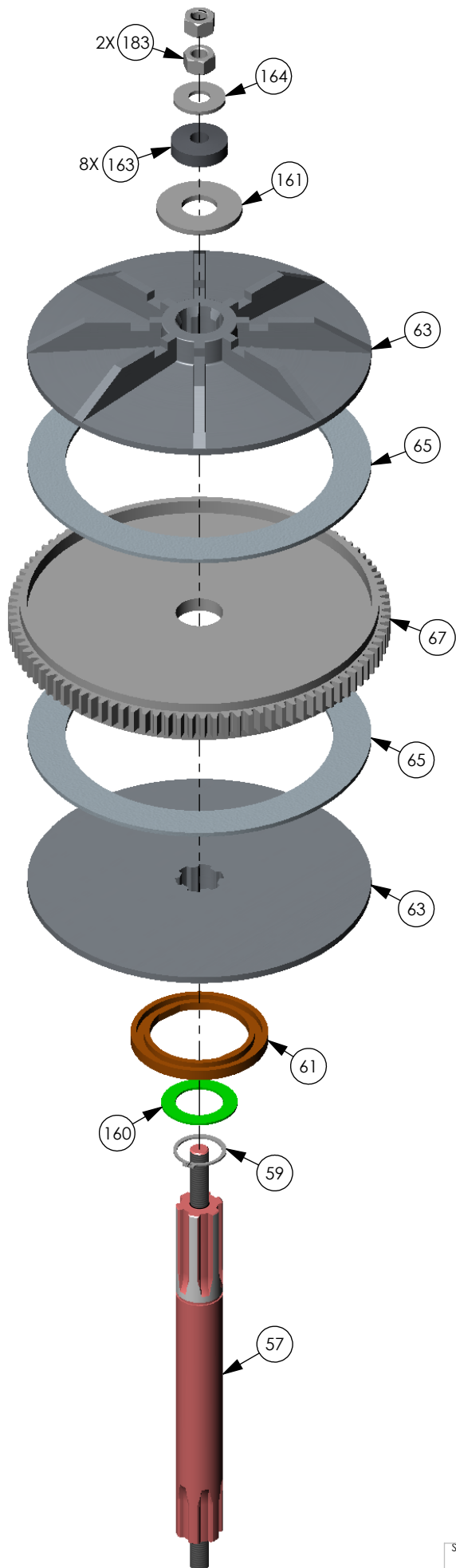
1. See attached reference sheet for BOM;
 Reference Movex 6300-083 Rev N.

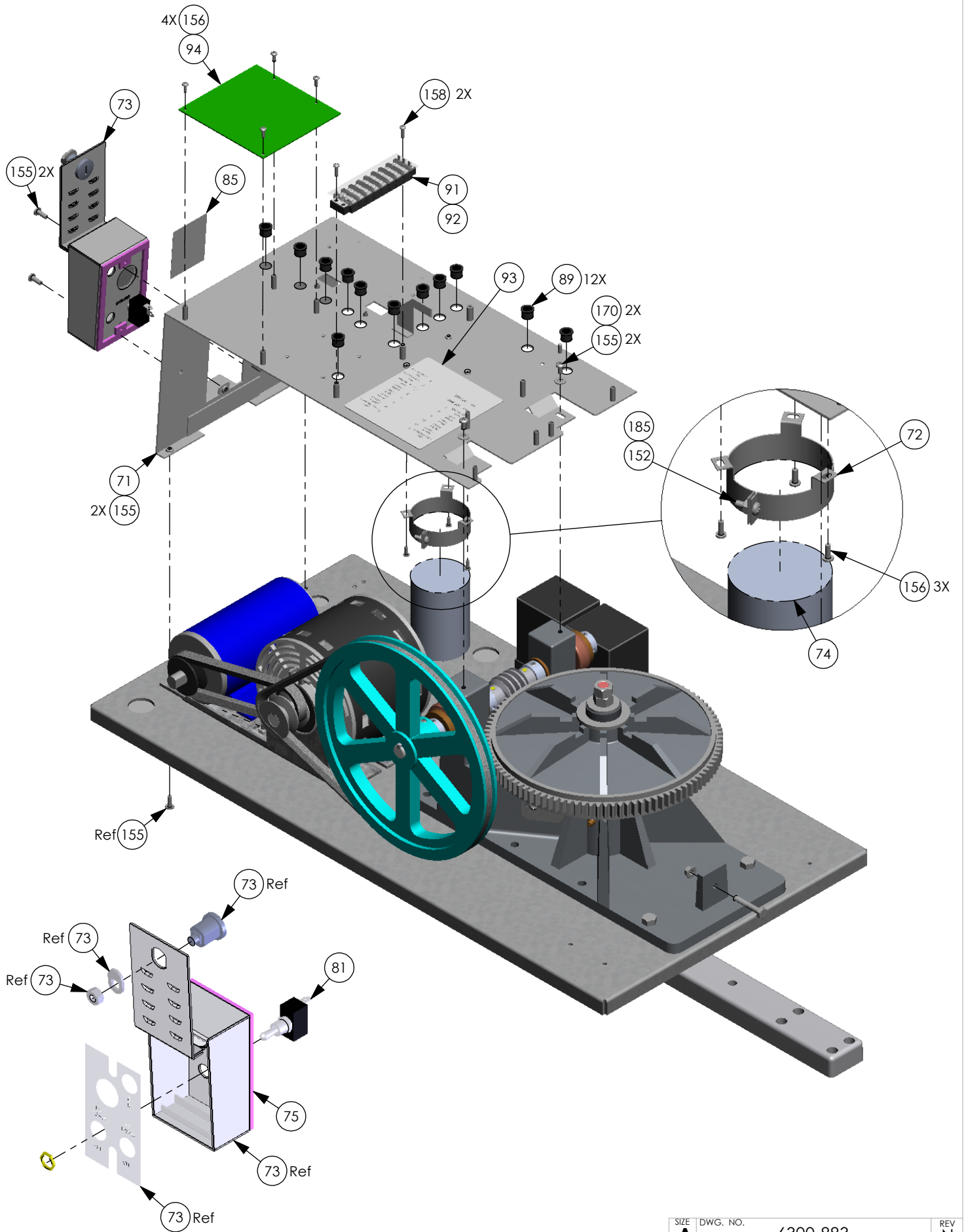
Notes: Unless Otherwise Specified.

PROPRIETARY AND CONFIDENTIAL		NAME	DATE		REV
THE INFORMATION CONTAINED IN THIS DRAWING IS THE SOLE PROPERTY OF Door King. ANY REPRODUCTION IN PART OR AS A WHOLE WITHOUT THE WRITTEN PERMISSION OF Door King IS PROHIBITED.		Sal	07/01/08		
		CHECKED		SIZE DWG. NO. A 6300-883	
		COMMENTS:		Scale: None	SHEET 1 OF 6

See Sheet 3
for Details







Item	Part Number	Qty	UM	Description	Rev
1	6300-883	1	EA	IPB-1/2HP, Secondary, Swing Gate Optr	N
3	2600-705	1	EA	Bracket Panel Base Model 630	
5	2600-869	1	EA	Motor Base 610/605 Battery Bk	
6	2600-124	1	EA	Motor Assembly 1/2 HP Dual Pul	
8	1215-018	2	EA	Wire Nut #71B	
9	2600-688	1	EA	Belt - 17" 4L170 Cogged	
10	2600-197	1	EA	Motor 24VDC For BB	
11	2600-569	1	EA	Pulley 10" Cast Iron AC100X5/8	
13	1601-019	1	EA	Keyway 3/16"x3/16"x1"	
15	2600-428	1	EA	Belt-Cogged, AX-34	
32	2600-619	2	EA	Wire Clp-5/8" Concord 770-1209	
33	2600-665	1	EA	Battery Tray 610	
35	1801-009	2	EA	Battery 12V 3.0 AmpHour PS1230	
39	6300-042	1	EA	Housing Assembly 6300	
41	2600-613	1	EA	Bracket Magnetic Ctr Potted	
43	3004-010	1	EA	Magnetic Counter Threaded	
45	3004-051	2	EA	Nut Panel 1/4 x 18	
47	2600-779	1	EA	Swing Crank Arm Extended	
49	2600-061	1	EA	Collar 2"OD x 1 1/4"ID x 5/8"L	
57	2600-174	1	EA	Main Shaft Assy Model 630	
59	2630-010	1	EA	Snap Ring 1.25"	
61	2600-073	1	EA	Magnet Counter Ring	
63	2600-681	2	EA	Clutch Plate 9" Die Cast	
65	2801-003	2	EA	Clutch Pad 9" OD620/25,630,630	
67	2600-644	1	EA	Worm Gear 100 Teeth Delrin	
71	2600-773	1	EA	Bracket Board Mtg Panel 630	
72	2600-875	1	EA	Capacitor Mounting Clamp	
73	2600-533	1	EA	Switch Cover Doorking Lockable	
74	2600-102	1	EA	Capacitor 50uf 370VAC	
75	2600-731	1	EA	Gasket Switch Cover	
81	1601-041	1	EA	Switch Toggle SPST 2POS	
85	2599-008	1	EA	Label Patent	
89	2600-820	12	EA	Bushing 1/2	
91	3130-023	1	EA	Terminal Strip 8 Row Screw	
92	3129-008	1	EA	Terminal Block Cover 8 Positio	
93	2599-064	1	EA	Label 6000 8 Terminal Mstr-Slv	
94	2340-010	1	EA	PCB Battery Backup	
111	2600-725	1	EA	Cover-Model 6300	
113	2600-732	1	EA	Nameplate Plastic DKS	
115	2802-040	2	EA	Washer Push on Clamp	
116	1897-052	2	EA	Gasket, Microphone Support	
117	1702-507	1	EA	Cam "J" Hook	
119	4001-035	1	EA	Lock N16058BDxSFx2K Key 16120	
121	2600-720	1	EA	Crank Arm Joint Assembly Blk	
127	2600-711	1	EA	Bracket 3/16 x 2 x 12	
131	2599-034	1	EA	Label Gate Operator	
133	2599-199	1	EA	Label Universal	
140	2615-052	3	EA	Bolt Hex Head 3/8-16 x 1	
152	2616-017	4	EA	Screw Phillips Head 8-32 x 3/8	
154	2616-051	2	EA	Screw Phillips 10-32x3/8	
155	2616-052	6	EA	Screw Phillips Head 10-32 x1/2	

156	2616-001	7	EA	Screw Phillips Head 6-32 x 3/8
158	2616-003	2	EA	Screw Phillips Head 6-32 x 3/4
160	2620-220	2	EA	Washer 1.25x2x.0625
161	2620-131	2	EA	Washer 1 7/8"ODx1/2"ID 1/8 T
162	2620-044	2	EA	Lockwasher #8
163	2600-183	8	EA	Washer Bellville 1.5"ODx.5"ID
164	2620-021	2	EA	Washer 1/2 " SAE
166	2620-019	3	EA	Washer 3/8" SAE
170	2620-010	4	EA	Washer #10 SAE
180	2620-411	6	EA	Nut Hex Flange Lock 5/16-18
181	2902-008	4	EA	Nut Keps 1/4 x 20
182	2620-320	1	EA	Nut Center Lock 1/2-13
183	2620-420	2	EA	Nut Hex 1/2-13
184	2620-409	1	EA	Nut Hex Flange Lock 1/4-20
185	2620-401	1	EA	Nut Hex 8-32
200	1804-031	15	EA	Tie Wrap 4"
201	2600-698	1	EA	Wire Set Model 6050,6100,6300
207	7082-054	1	EA	Wire 15" Green Stranded 16AWG
209	2599-100	2	EA	Sign Warning
210	2600-757	1	EA	Wire 9 Conductor Cable 50ft