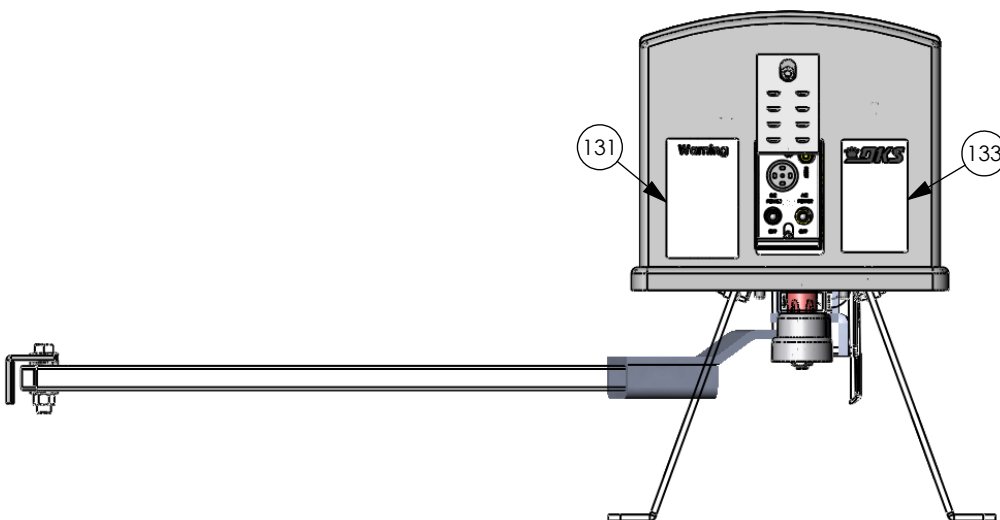
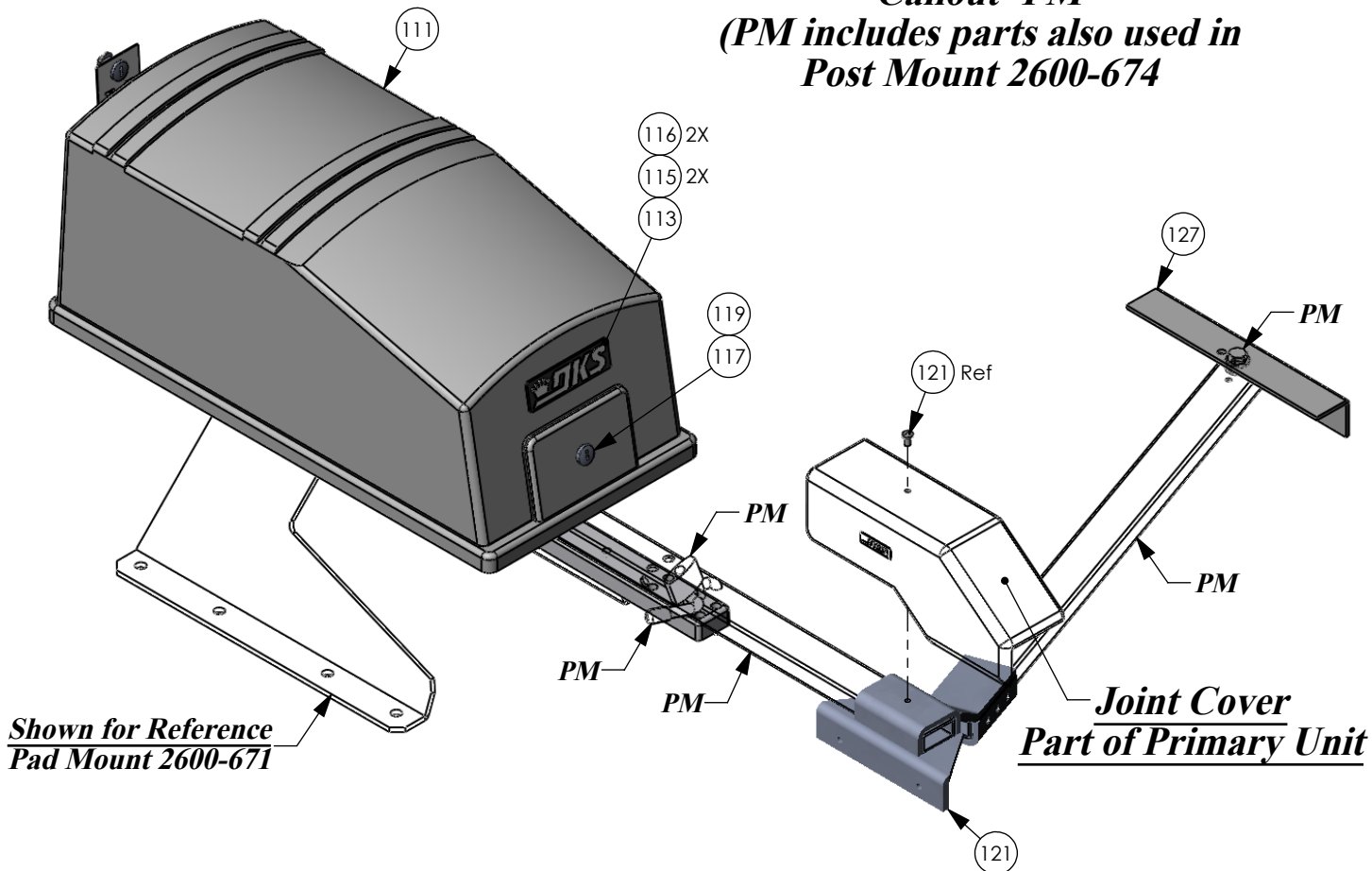


EO	REV	DESCRIPTION	Drawn	APPR
---	R	Deleted Item 154 Was: 2616-051.	Sal 10/24/08	D.C. 10/24/08


Shown for Reference in Outline Form
Pad Mount 2600-671
Callout=PM
(PM includes parts also used in
Post Mount 2600-674



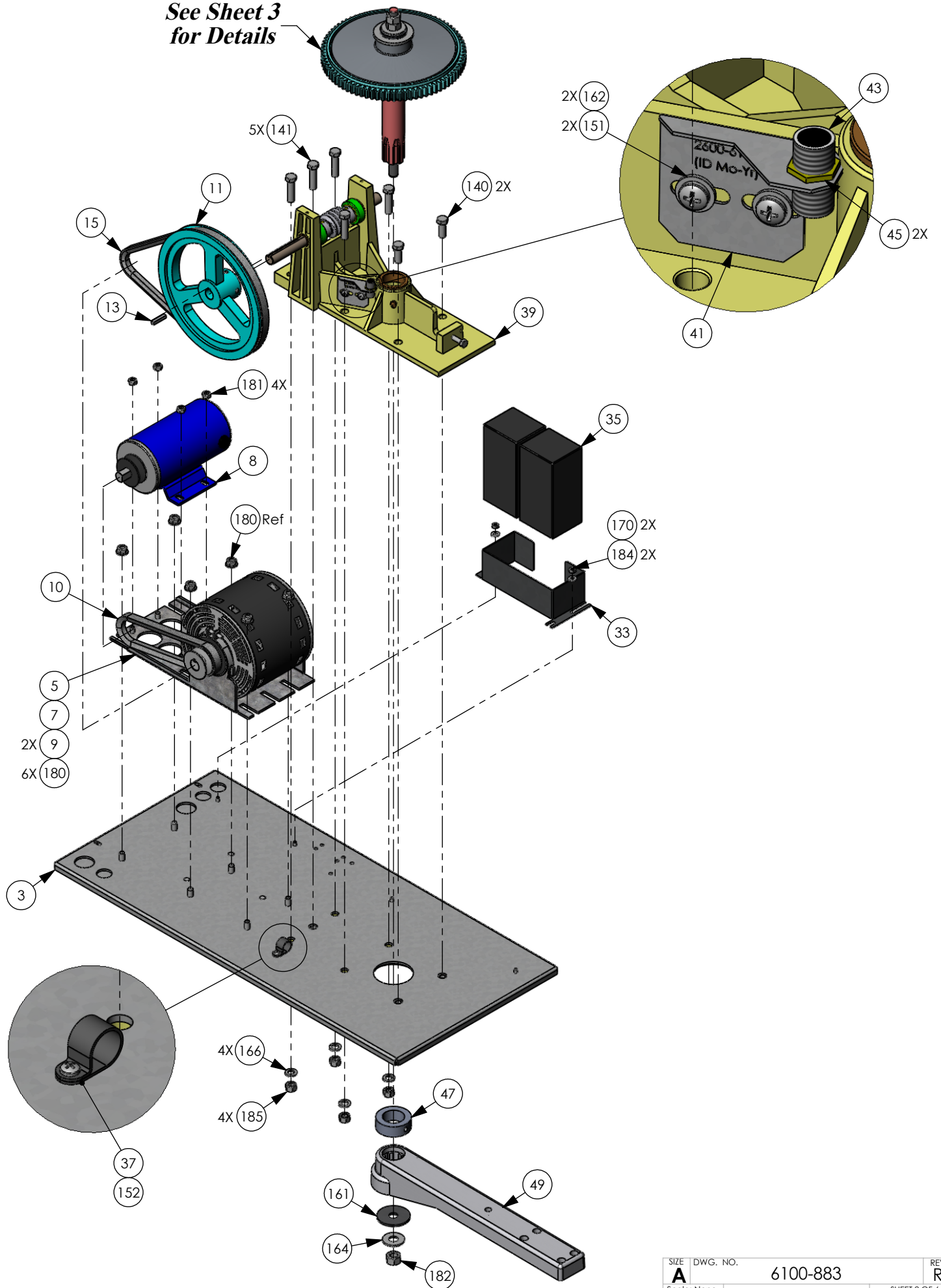
2. Items 200-209 Not Shown for Clarity.

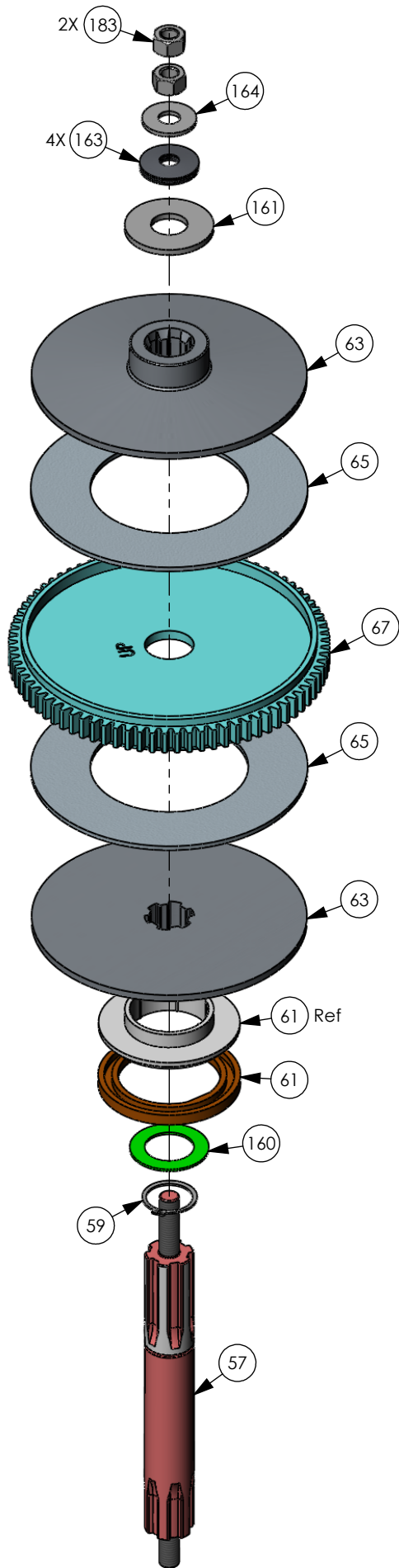
1. See attached reference sheet for BOM;
Reference Movex 6100-083 Rev R.

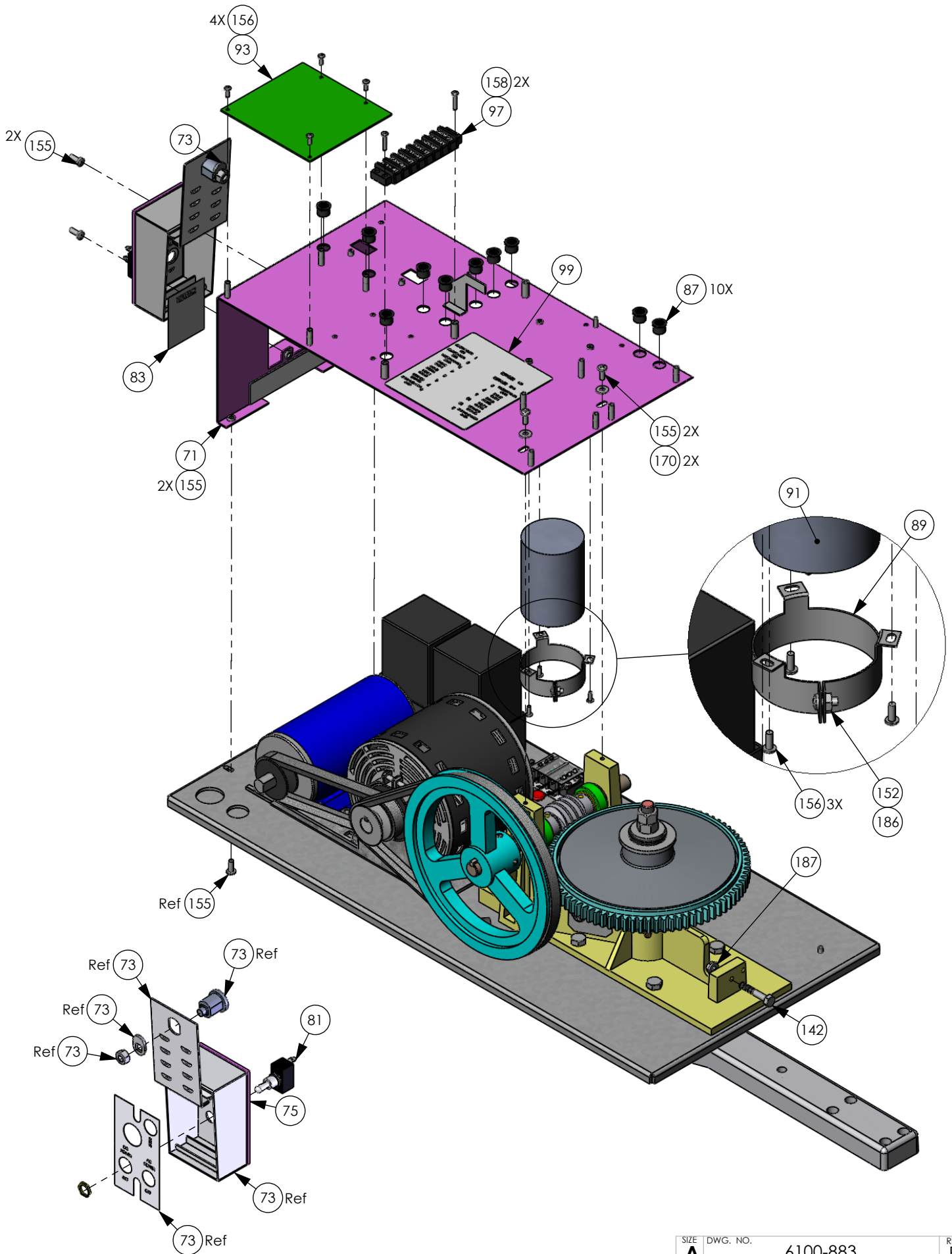
Notes: Unless Otherwise Specified.

PROPRIETARY AND CONFIDENTIAL THE INFORMATION CONTAINED IN THIS DRAWING IS THE SOLE PROPERTY OF Door King. ANY REPRODUCTION IN PART OR AS A WHOLE WITHOUT THE WRITTEN PERMISSION OF Door King IS PROHIBITED.	DRAWN	NAME	DATE	 IPB-Model 6100-083, 1/2HP, Secondary, Convenient Open
	CHECKED	Sal	08/01/08	
	COMMENTS:			
	SIZE	DWG. NO.	REV	
	A	6100-883	R	Scale: None
				SHEET 1 OF 6

See Sheet 3
for Details







IPB 6100-883 Rev R
 (Model and Movex No. 6100-083 Rev R)

Item	Part Number	QTY	UM	Description	List
1	6100-883	1	EA	1/2HP, Secondary, Convenient Open rev R	
3	2600-641	1	EA	Base 610 Battery Backup	
5	2600-869	1	EA	Motor Base 6100/6050 Battery Bk	
7	2600-124	1	EA	Motor Assembly 1/2 HP Dual Pullet	
8	2600-197	1	EA	Motor 24VDC For BB	
9	1215-018	2	EA	Wire Nut #71B	
10	2600-688	1	EA	Belt - 17" 4L170 Cogged	
11	2600-568	1	EA	Pulley 8" Cast Iron AC80X5/8	
13	1601-019	1	EA	Keyway 3/16 x 3/16 x 1	
15	2600-089	1	EA	Belt 30"	
33	2600-665	1	EA	Battery Tray 610	
35	1801-009	2	EA	Battery 12V 3.0 AmpHour PS1230	
37	2600-619	1	EA	Wire Clip-5/8 Concord 770-1209	
39	6100-040	1	EA	Housing Assembly 6100	
41	2600-613	1	EA	Bracket Magnetic Ctr Potted	
43	3004-010	1	EA	Magnetic Counter Threaded	
45	3004-051	2	EA	Nut Panel 1/4-18	
47	2600-061	1	EA	Collar 2 OD x 1 1/4 ID x 5/8 L	
49	2600-779	1	EA	Swing Crank Arm Extended	
57	2600-675	1	EA	Shaft Assembly 605/610	
59	2630-010	1	EA	Snap Ring 1.25"	
61	2600-360	1	EA	Counter Wheel Mag Assembly	
63	2600-680	2	EA	Clutch Plate 7"	
65	2801-002	2	EA	Clutch Pad 7" OD605/610,6100	
67	2600-323	1	EA	Worm Gear 80 Tooth Delrin	
71	2600-642	1	EA	Mount Plate Cntl Bd 610 Bat Bk	
73	2600-533	1	EA	Switch Cover Doorking Lockable	
75	2600-731	1	EA	Gasket Switch Cover	
81	1601-041	1	EA	Switch Toggle SPST 2POS	
83	2599-008	1	EA	Label Patent	
87	2600-820	10	EA	Bushing 1/2	
89	2600-875	1	EA	Capacitor Mounting Clamp	
91	2600-102	1	EA	Capacitor 50uf 370VAC	
93	2340-010	1	EA	PCB Battery Backup	
97	3130-023	1	EA	Terminal Strip 8 Row Screw	
99	2599-064	1	EA	Label 6000 8 Terminal Mstr-Slv	
111	2600-722	1	EA	Cover-Model 6100 BB	
113	2600-732	1	EA	Nameplate Plastic DKS	
115	2802-040	2	EA	Washer Push on Clamp	
116	1897-052	2	EA	Gasket, Microphone Support	
117	1702-507	1	EA	Cam "J" Hook	
119	4001-035	1	EA	Lock N16058BDxSFx2K Key 16120	
121	2600-720	1	EA	Crank Arm Joint Assembly Blk	
127	2600-711	1	EA	Bracket 3/16 x 2 x 12	
131	2599-034	1	EA	Label Gate Operator	
133	2599-199	1	EA	Label Universal	
140	2615-052	2	EA	Bolt Hex Head 3/8-16 x 1	

141	2615-055	5	EA Bolt Hex Head 3/8-16 x 1 1/2
142	2615-008	1	EA Bolt Hex Head 1/4-20 x 1 1/2
151	2616-018	2	EA Screw Phillips Head 8-32 x 1/2
152	2616-017	2	EA Screw Phillips Head 8-32 x 3/8
155	2616-052	6	EA Screw Phillips Head 10-32 x1/2
156	2616-001	7	EA Screw Phillips Head 6-32 x 3/8
158	2616-003	2	EA Screw Phillips Head 6-32 x 3/4
160	2620-220	1	EA Washer 1.25 x 2 x .0625
161	2620-131	2	EA Washer 1 7/8 OD x 1/2 ID 1/8 T
162	2802-003	2	EA Washer #8 SAE
163	2600-183	4	EA Washer Bellville 1.5"OD x .5"ID
164	2620-021	2	EA Washer 1/2 SAE
166	2620-019	4	EA Washer 3/8 SAE
170	2620-010	4	EA Washer #10 SAE
180	2620-411	6	EA Nut Hex Flange Lock 5/16-18
181	2620-340	4	EA Nut Center Lock 1/4-20
182	2620-320	1	EA Nut Center Lock 1/2-13
183	2620-420	2	EA Nut Hex 1/2-13
184	2902-006	2	EA Nut Nylon Lock 10-32
185	2620-405	4	EA Nut Hex 3/8-16
186	2620-401	1	EA Nut Hex 8-32
187	2620-409	1	EA Nut Hex Flange Lock 1/4-20
200	1804-031	10	EA Tie Wrap 4"
201	2600-698	1	EA Wire Set Model 6050,6100,6300
202	2600-756	1	EA Wire 9 Conductor Cable 40ft
203	2340-164	1	EA Wire Set BB 6100,6300,9150
209	2599-100	2	EA Sign Warning