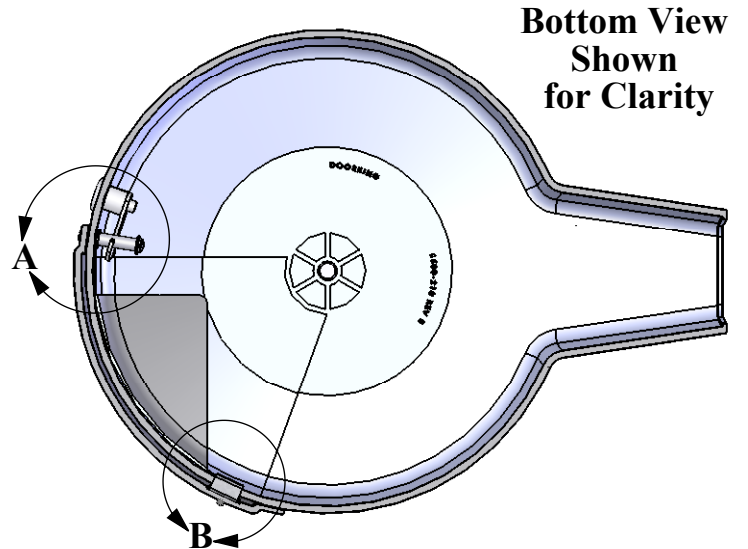
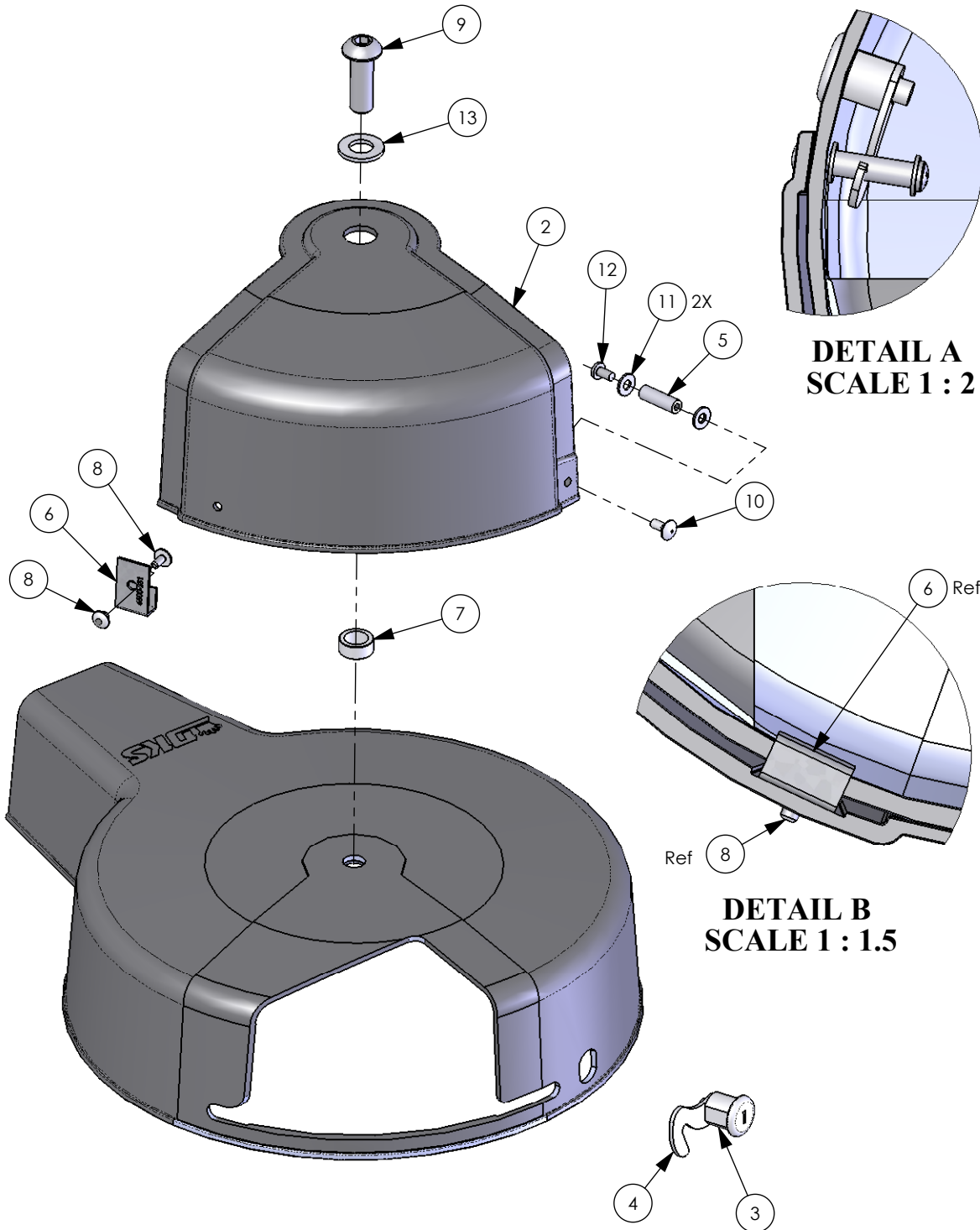


		REVISIONS		Drawn	APPR
FO	REV	DESCRIPTION		Sal	D.C.
---	A	Production Release		11/08/07	12/12/07
	B	Injection Mold Modifications, Item 6 was 6500-280 and Item 7 was 6500-275		6/1/2010	DC



ITEM	PART NUMBER	DESCRIPTION	QTY
1	6500-210	Cover Plastic Hub	1
2	6500-215	Cover Plastic Hub Plastic	1
3	4001-035	Lock - Cam	1
4	1702-507	Lock Tab Hook	1
5	2900-916	Spacer 1 inch 10-32 Thd	1
6	6500-281	Clip for Access Cover	1
7	6500-276	Spacer Turret Cover	1
8	2616-581	Nut 8-32 Barrel Type & Screw	1
9	2615-883	Button Head 1/2-13 x 1 1/2	1
10	2615-605	SS Carriage Bolt 10-32 x 1/2"	1
11	2620-010	Washer #10	2
12	2616-051	Screw Phillips Head 10-32 x 3/8	1
13	2620-060	Washer Plastic Seal 1/2" Bolt	1

UNLESS OTHERWISE SPECIFIED: DIMENSIONS ARE IN INCHES TOLERANCES: ANGULAR ± 1° X.X ± 0.060 X.XX ± 0.020 X.XXX ± 0.007 INTERPRET GEOMETRIC TOLERANCING PER: Material: Noted Finish: Noted		DRAWN CHECKED ENG APPR. MFG APPR.	NAME DATE Sal Britones 11/08/07	 TITLE: IPB Cover Assy-Hub
NEXT ASSY APPLICATION		PROPRIETARY AND CONFIDENTIAL THE INFORMATION CONTAINED IN THIS DRAWING IS THE SOLE PROPERTY OF DOOR KING SYSTEM. ANY REPRODUCTION IN PART OR AS A WHOLE WITHOUT THE WRITTEN PERMISSION OF DOOR KING SYSTEM IS PROHIBITED.		
SCALE: 1:10		SIZE A	DWG. NO. 6500-440	REV B