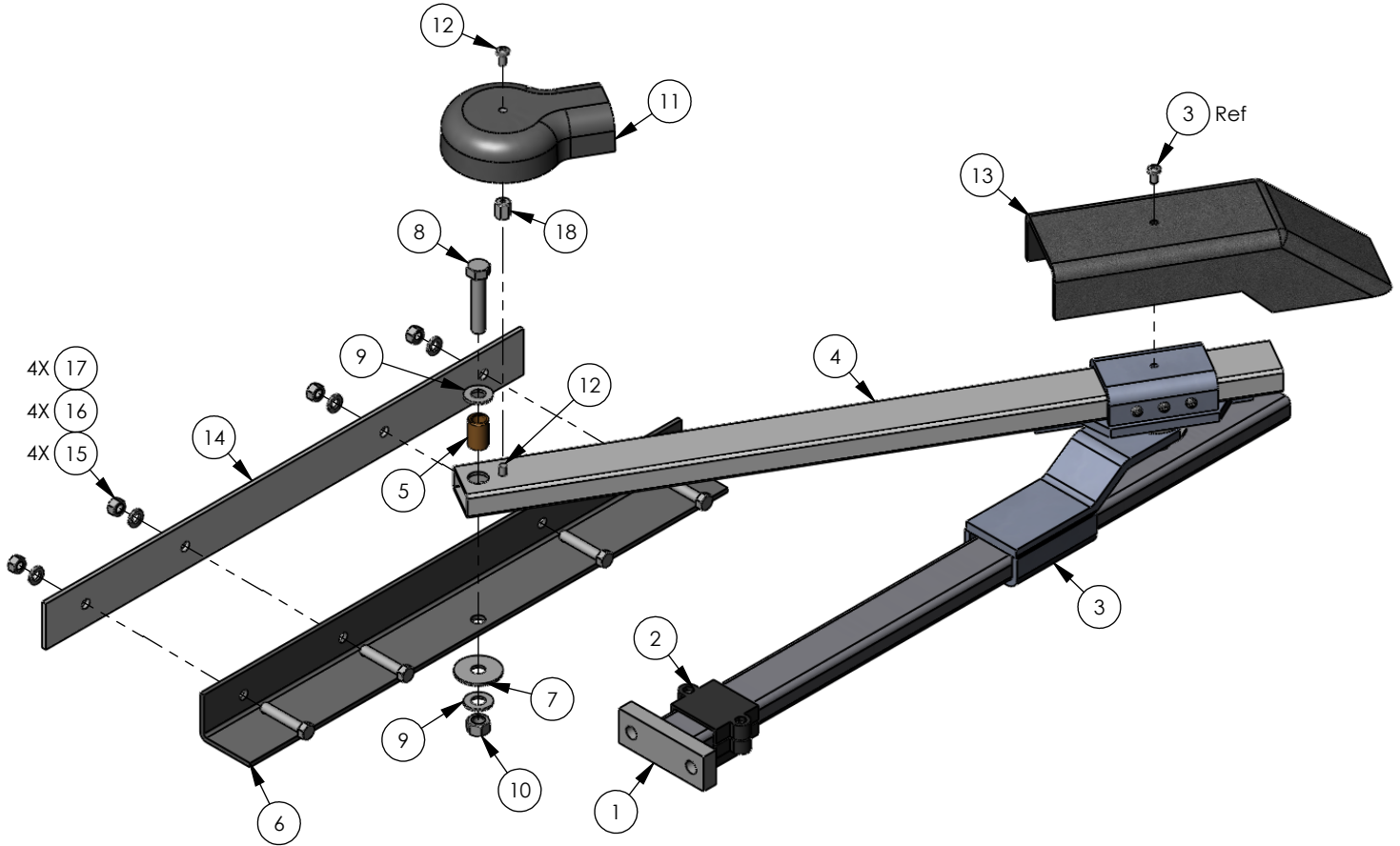


REVISIONS

EO	REV	DESCRIPTION	Drawn	APPR
---	C	Revised Items 4 & 5 Was: 6500-260 & 6500-265. Added Item 18.	Sal 07/02/08	D.C. 07/07/08
---	D	Item 18 P/N Was: 2600-054 (Typographical Error).	Sal 09/29/08	D.C. 09/29/08



ITEM	P/N	DESCRIPTION	QTY
1	6500-255	Arm Connecting Rod Lower	1
2	6500-420	Sub Assy-Magnet Assy Arm	1
3	2600-720	Sub Assy-Crank Arm Joint	1
4	2600-714	Connecting Rod 1" x 2" x 60"	1
5	2600-054	Spacer 3/4OD x 1/2ID x1 1/8L	1
6	6500-270	Bracket L	1
7	2620-030	Washer 1/2 USS	1
8	2615-084	Bolt Hex Head 1/2-13 x 2 1/2	1
9	2620-021	Washer 1/2 SAE	2
10	2620-320	Nut Center Lock 1/2-13	1
11	6500-225	Cover-Pivot Gate Bracket	1
12	2905-065	Screw Phillips Head 1/4-20 x 1/2	2
13	6500-220	Cover-Elbow Connector Arm	1
14	6500-272	Bracket Flat Gate Mount	1
15	2615-054	Bolt Hex Head 3/8-16 x 2	4
16	2620-047	Lockwasher 3/8	4
17	2620-405	Nut Hex 3/8-16	4
18	2620-450	Nut Spacer 1/4-20 x 5/8	1

**PROPRIETARY AND CONFIDENTIAL**  
 THE INFORMATION CONTAINED IN THIS DRAWING IS THE SOLE PROPERTY OF Door King. ANY REPRODUCTION IN PART OR AS A WHOLE WITHOUT THE WRITTEN PERMISSION OF Door King IS PROHIBITED.

NAME	DATE
Sal	08/29/07
CHECKED	
COMMENTS:	



Main Arm Assy

SIZE	DWG. NO.	REV
A	6500-430	D
Scale: None		SHEET 1 OF 1

Notes: Unless Otherwise Specified.