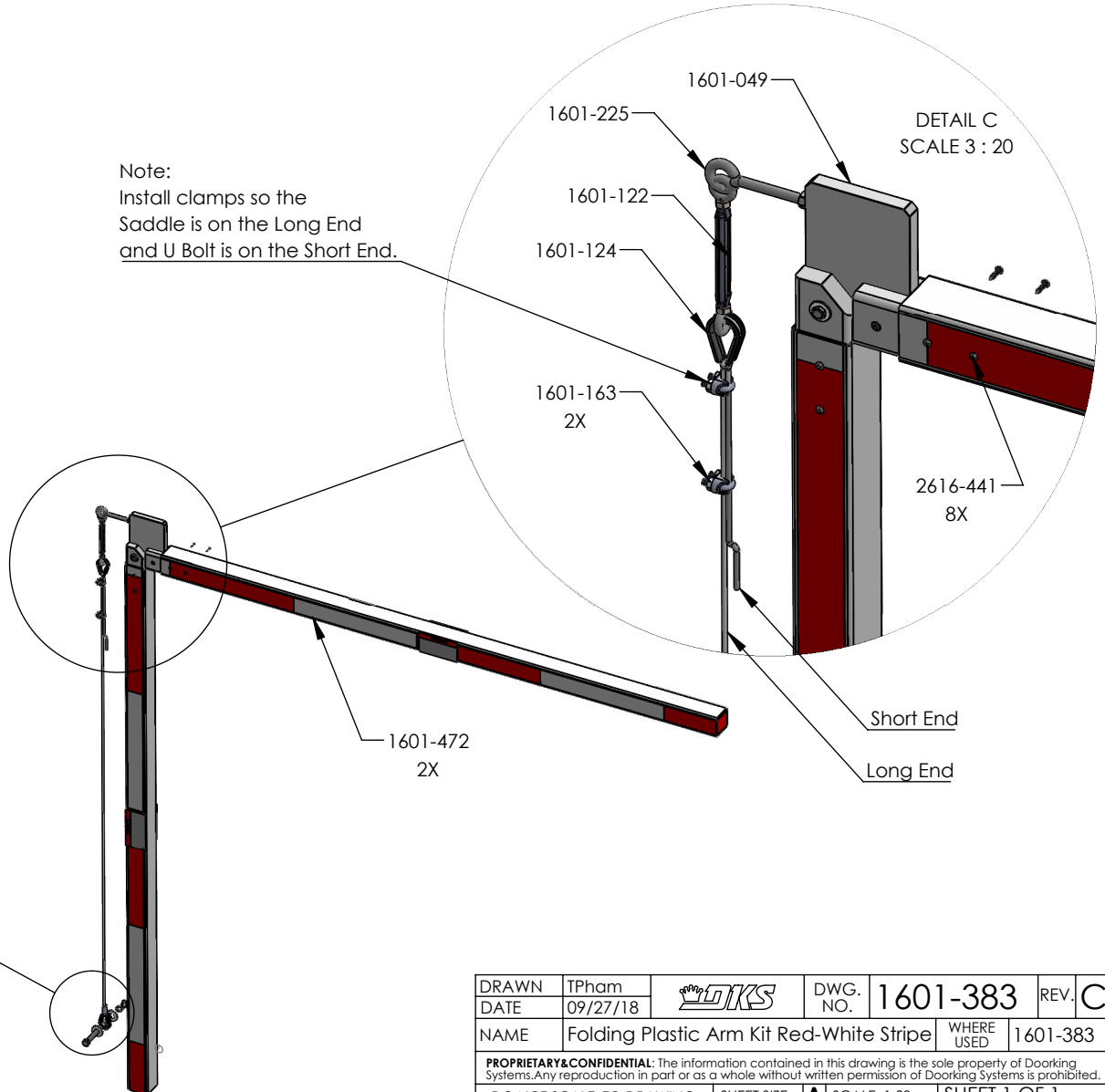
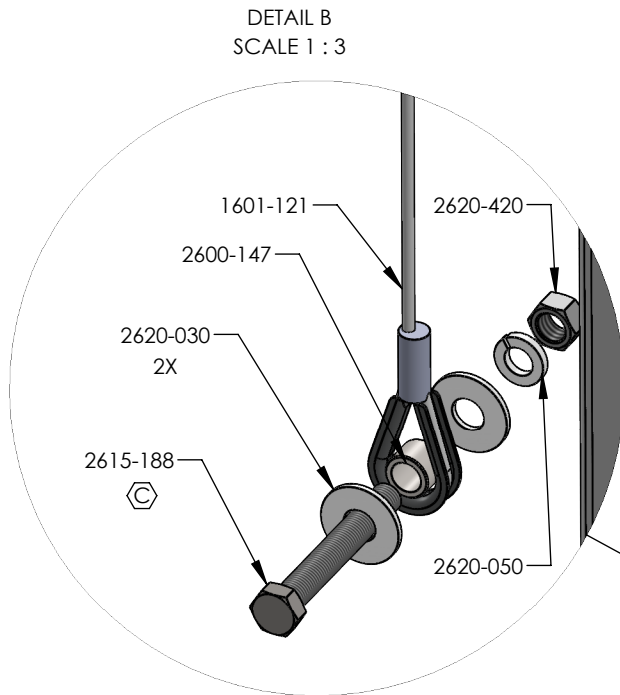


PartNo	Description	QTY.
1601-049	Plastic Elbow Assembly	1
1601-121	Cable Steel 70.5 Length	1
1601-122	Turnbuckle Stainless	1
1601-124	Thimble Eye Bare End	1
1601-163	Cable Clamp 1/8 Dia Rope	2
1601-225	Bolt Eye .375-16 x 7.0 w/Nut .50-13	1
1601-266	Manual Installation Elbow Plastic	1
1601-472	Arm Plastic Assy 6ft Red-White Stripe	2
2600-147	Spacer Steel .75 OD x .53 ID x .56 L	1
2615-188	Bolt Hex 1/2-13 x 3.5	1
2616-441	Screw Self Tapping #8 x 3/4 Phil	8
2620-030	Washer 1/2 ID USS	2
2620-050	Washer Split 1/2	1
2620-420	Nut 1/2-13 Hex	1

REVISIONS			
REV.	DESCRIPTION	DATE	APPROVED
A	Created New Number for Red/White Tape Assy	02/22/12	DC
B	Created New Drawing for Existing model 1601-383; Upgraded assembly of Detail B: 2615-181 was 2615-188; 1601-163 2X was 1601-123 1X; Deleted 2620-320; Deleted 2620-405(came w/1601-225)	09/28/18	TPham
C	2615-188 3.5"Bolt was 2615-181 1.5"Bolt	2/10/2022	Tpham

Note:
Install clamps so the Saddle is on the Long End and U Bolt is on the Short End.



DRAWN	TPham		DWG. NO.	1601-383	REV.	C
DATE	09/27/18		NAME	Folding Plastic Arm Kit Red-White Stripe	WHERE USED	1601-383
PROPRIETARY & CONFIDENTIAL: The information contained in this drawing is the sole property of DoorKing Systems. Any reproduction in part or as a whole without written permission of DoorKing Systems is prohibited.						
DO NOT SCALE TO DRAWING		SHEET SIZE	A	SCALE: 1:20	SHEET 1 OF 1	