

Table of Contents

Card Readers

DK ProxPlus™ Secure Card Readers / M Series Card Readers (13.56 MHz).....	4
M Series Card Readers (13.56 MHz).....	6
DK Prox Card Readers (125 KHz).....	8
HID Card Readers (125 KHz).....	10
AWID Card Readers (125 KHz).....	12
ID-Teck Card Readers (125 KHz).....	14

Keypads

Digital Key Pads.....	16
-----------------------	----

RF Controls

MicroPlus® RF Controls.....	18
MicroClik® RF Controls.....	20

Smart Gate Controller

Smart Gate Switch.....	22
------------------------	----

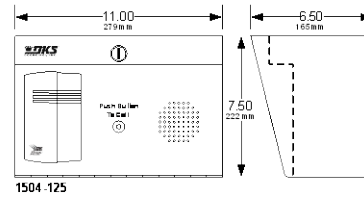
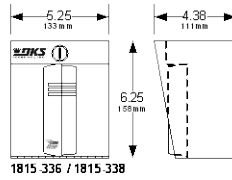
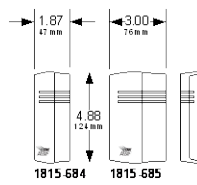
Miscellaneous Controls

Key Switches.....	23
Exit Push Buttons.....	24
Postal & Fire Department Lock Boxes.....	25

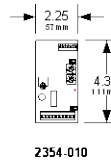
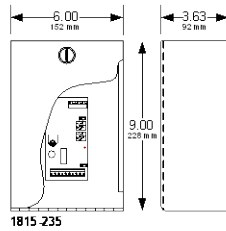
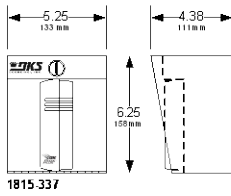
Door and Gate Locks

1200 Lb. Magnetic Door Locks.....	26
600 Lb. Magnetic Door Locks.....	27
300 Lb. Mini-locks, 2000 Lb. Shear Lock.....	28
1200 Lb, 600 Lb. Magnetic gate Locks.....	29
Electric Dead-bolts and Door Strikes.....	30

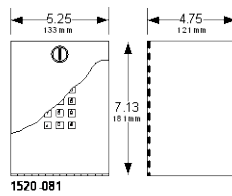
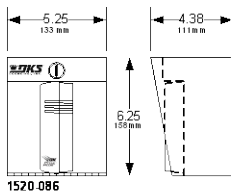
DK ProxPlus™ Secure Card Readers (13.56 MHz)



26-Bit Wiegand Output



RS 485 Output



Relay Output

26-Bit Wiegand Output

1815-684 ProxPlus Secure	216.00
1815-685 ProxPlus Secure	216.00
1815-336 (1815-684 w/enclosure)	376.00
1815-338 (1815-336 w/expansion board)	1,156.00
1504-125 (1815-685 w/intercom substation)	856.00

ProxPlus Secure card readers will read only ProxPlus Secure cards.
They will not read other Mifare type cards.

RS-485 Output (ACCESS PLUS ONLY)

1815-337 ProxPlus Secure	614.00
1815-235 (2354-010 w/enclosure)	542.00
2354-010 (26-Bit Wiegand to RS-485 converter)	244.00

- RS485 output is proprietary and will interface with Access Plus products only

Relay Output (Stand Alone)

1520-086 ProxPlus Secure	1,084.00
1520-081 Controller only (add your own reader)	968.00

DK ProxPlus Secure Cards (13.56 MHz)

These cards will only work with ProxPlus Secure card readers (1815-684, 1815-685, 1815-337).

Factory Coded Cards - blocks of 50 only.

These cards are factory pre-coded. Card numbers may, or may not be in numerical sequence.

1508-252 Secure Cards	
50-100.....	10.08
150-500.....	9.68
550-950.....	9.28
1000+.....	8.88
1508-257 Secure Key Tags	
50-100.....	10.70
150-500.....	10.30
550-950.....	9.90
1000+.....	9.50

Custom Programmed Cards¹ - blocks of 100 only.

These cards include sequential coding, specific card numbers and specific start / stop numbering sequences.

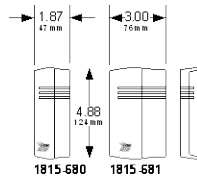
1508-250 Secure Cards	
100.....	12.00
200-500.....	11.60
600-900.....	11.20
1000+.....	10.80
1508-255 Secure Key Tags	
100.....	12.64
200-500.....	12.24
600-900.....	11.84
1000+.....	11.44

Note 1: Custom ordered cards cannot be returned for credit.

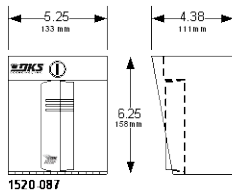
ProxPlus Secure Card Scanner¹	
1815-692 Reads ProxPlus Secure Cards	286.00
Use this card scanner when the card code is not printed on the card or the code has worn off the card. This scanner will read DK ProxPlus Secure cards only.	
Note 1: Requires card scanner software - free download: https://www.doorking.com/accessories/access-control-accessories/dkprox-card-identifier	

MicroPlus Transmitters w/ProxPlus Secure Tag	
The prices shown are for block-coded transmitters ordered in multiples of 10 only. Add \$3.70 per transmitter for any order specifying transmitter numbering sequence or facility codes.	
8069-088 1 Button w/DK ProxPlus Secure Tag	
10-30.....	58.20
40-100.....	56.20
110+.....	52.20
8070-088 2 Button w/DK ProxPlus Secure Tag	
10-30.....	60.78
40-100.....	58.78
110+.....	54.78
8071-088 3 Button w/DK ProxPlus Secure Tag	
10-30.....	63.34
40-100.....	61.34
110+.....	57.34
8096-088 4 Button w/DK ProxPlus Secure Tag	
10-30.....	65.92
40-100.....	63.92
110+.....	59.92

M Series Card Readers (13.56 MHz)



26-Bit Wiegand Output



Relay Output

26-Bit Wiegand Output	
1815-680 M Series.....	276.00
1815-681 M Series.....	276.00
<p>M Series readers are designed to work with other Mifare brand 4 or 7 byte cards. These readers will not read the card number printed on the card – the reader will only read the Universal ID (UID) number of the card and convert this number to a 26-bit Wiegand code. This will require the use of a card scanner (1815-690) to obtain the proper 26-bit Wiegand code.</p> <p>These readers will not read ProxPlus Secure cards.</p>	

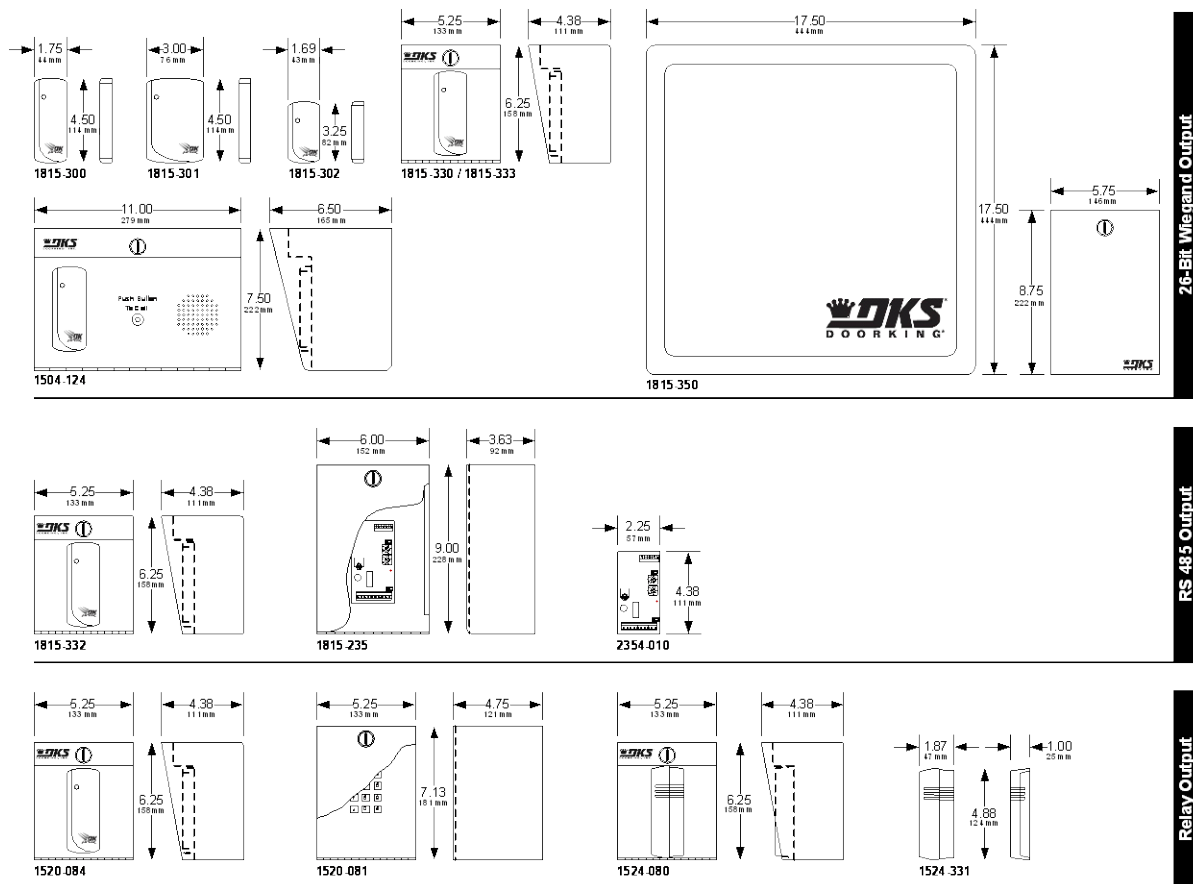
Relay Output (Stand Alone)	
1520-087 M Series.....	1,144.00

M Series Card Scanner (13.56 MHz)

DoorKing does not sell cards that are compatible with other Mifare type card readers.

<p>Mifare Card Scanner¹ 1815-690 Reads Mifare Cards.....286.00 Use this card scanner when the Wiegand card code is not printed on the card or the code has worn off the card. This scanner will read Mifare Classic 4 or 7 byte cards and show the equivalent Wiegand code.</p> <p>Note 1: Requires card scanner software - free download: https://www.doorking.com/accessories/access-control-accessories/dkprox-card-identifier</p>
--

DK Prox Card Readers (125 KHz)



26-Bit Wiegand Output	
1815-300 Up to 3-inch range	182.00
1815-301 Up to 4-inch range	182.00
1815-302 Up to 2-inch range	182.00
1815-330 (1815-300 reader w/enclosure)	344.00
1815-333 (1815-330 w/expansion board)	1,120.00
1504-124 (1815-300 w/intercom substation)	822.00
26-Bit Wiegand Output - Automatic Vehicle ID System	
1815-350 Up to 25-foot range	3,956.00
RS-485 Output (ACCESS PLUS ONLY)	
1815-332 Up to 3-inch range	596.00
1815-235 (2354-010 w/enclosure)	542.00
2354-010 (26-Bit Wiegand to RS-485 converter)	244.00
<ul style="list-style-type: none"> RS485 output is proprietary and will interface with Access Plus products only 	

Relay Output (Stand Alone)	
1520-084	1,050.00
1520-081 Controller only	968.00
<ul style="list-style-type: none"> 1520 reader/controller can store up to 1000 card codes 3600 event history buffer Built-in programming keypad Timed anti-pass back, hold open time zones 	
1524-080 (1524-331 w/enclosure)	632.00
1524-331	468.00
1815-340 Replacement Programmer	76.92
<ul style="list-style-type: none"> 1524 reader can store up to 1000 card codes Use 1815-340 hand held programmer to add / delete individual cards or blocks of cards 	

DK Prox Cards (125 KHz)

Standard Cards - blocks of 50 only.

These cards are factory pre-coded. Card numbers may, or may not be, in numerical sequence.

1508-120 Clamshell Cards

50-100.....	6.80
150-500.....	6.40
550-950.....	6.00
1000+.....	5.60

1508-121 ISO Graphics Cards

50-100.....	9.42
150-500.....	9.02
550-950.....	8.62
1000+.....	8.22

1508-123 Key Tags

50-100.....	10.08
150-500.....	9.68
550-950.....	9.28
1000+.....	8.88

1508-130 ProxDot

50-100.....	6.80
150-500.....	6.40
550-950.....	6.00
1000+.....	5.60

Special Order Cards¹ - blocks of 100 only.

These cards include sequential coding, specific card numbers and specific start / stop numbering sequences.

1508-127 Clamshell Cards

100.....	10.08
200-500.....	9.68
600-900.....	9.28
1000+.....	8.88

1508-128 ISO Graphics Cards

100.....	12.62
200-500.....	12.22
600-900.....	11.82
1000+.....	11.42

1508-129 Key Tags

100.....	13.28
200-500.....	12.88
600-900.....	12.48
1000+.....	12.08

Note 1: Special orders cannot be returned for credit.

DKProx Card Scanner¹

1815-640 Reads 125 KHz Cards.....	168.00
-----------------------------------	--------

Card Scanner is used when the card code is not printed on the card or the code has worn off the card.

Note 1: Requires DKProx card scanner software - free download:

<http://www.doorking.com/accessories/access-control-accessories/dkprox-card-identifier>

Automatic Vehicle ID Systems

UHF DK Prox Cards

These cards are factory pre-coded. Card numbers may, or may not be, in numerical sequence.

1508-191 ISO Card UHF Only ¹	16.12
1508-198 ISO Card UHF/DK Prox Dual Tech ¹	19.08
1815-318 Windshield Holder.....	5.88
1815-319 Rearview Mirror Holder.....	5.88

1508-191 can only be used with 1815-350 card reader. 1508-198 dual technology card can be used with both 1815-350 and all other DK Prox card readers.

Note 1: Quantity discounts available. Contact the Sales Department.

UHF DK Prox Cards – Special Order¹

These cards include sequential coding, specific card numbers and specific start / stop numbering sequences.

1508-190 ISO Card UHF Only ²	19.08
1508-197 ISO Card UHF/DK Prox Dual Tech ²	21.96
1815-318 Windshield Holder.....	5.88
1815-319 Rearview Mirror Holder.....	5.88

1508-190 can only be used with 1815-350 card reader. 1508-197 dual technology cards can be used with both 1815-350 and all other DK Prox card readers.

Note 1: Special orders cannot be returned for credit.

Note 2: Quantity discounts available. Contact the Sales Department.

1508-195 Windshield/Headlight Tag^{1,2}

1-50.....	17.58
51-150.....	16.78
151-500.....	15.98
501-999.....	15.18
1000+.....	14.38

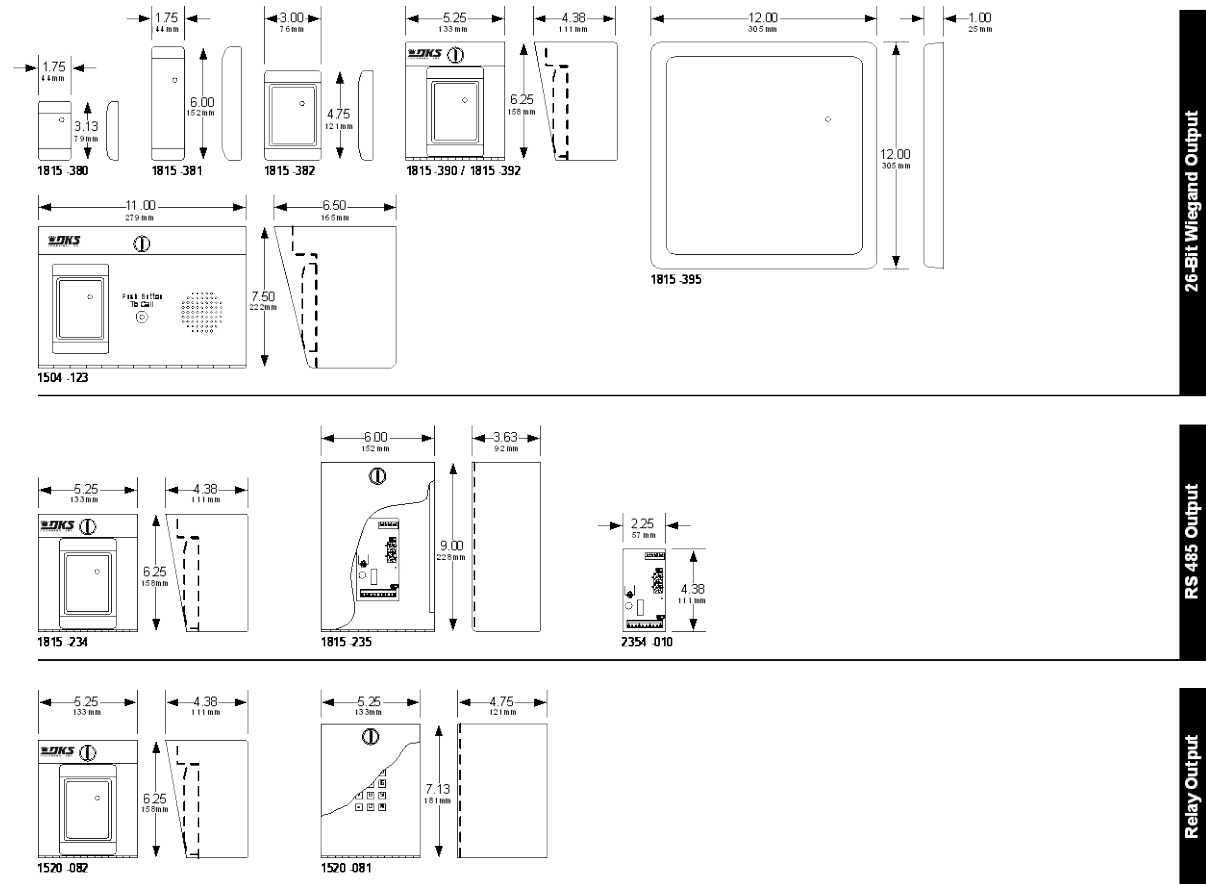
1508-199 License Plate Tag¹

1-50.....	17.58
51-150.....	16.78
151-500.....	15.98
501-999.....	15.18
1000+.....	14.38

Note 1: 1508-195 and 1508-199 can only be used with 1815-350 card reader.

Note 2: It is illegal to place a tag on a headlight in some states. Check with the state Department of Transportation before ordering tags intended to be placed on headlights.

HID Proximity Card Readers (125 KHz)



26-Bit Wiegand Output	
1815-380 (ProxPoint Plus) Up to 3-inch range.....	434.00
1815-381 (MiniProx) Up to 5-inch range	854.00
1815-382 (ThinLine) Up to 5-inch range	820.00
1815-390 (1815-382 reader w/enclosure).....	1,046.00
1815-392 (1815-390 w/expansion board)	1,640.00
1504-123 (1815-382 w/intercom substation).....	1,082.00
1815-395 (MaxiProx) Up to 6-foot range.....	2,584.00
RS-485 Output (ACCESS PLUS ONLY)	
1815-234 (ThinLine) Up to 5-inch range	1,194.00
1815-235 (2354-010 w/enclosure)	526.00
2354-010 (26-Bit Wiegand to RS-485 converter).....	244.00
<ul style="list-style-type: none"> RS485 output is proprietary and will interface with Access Plus products only 	

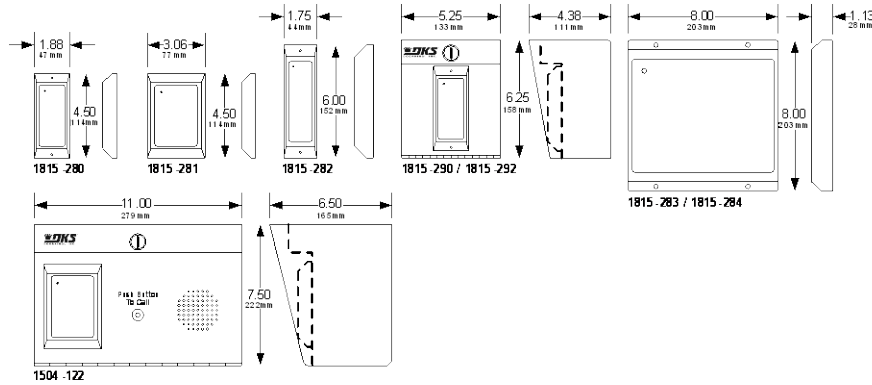
Relay Output (Stand Alone)	
1520-082.....	1,418.00
1520-081 Controller only	968.00
<ul style="list-style-type: none"> 1520 reader/controller can store up to 1000 card codes 3600 event history buffer Built-in programming keypad Timed anti-pass back, hold open time zones 	

HID Prox Cards (125 KHz)

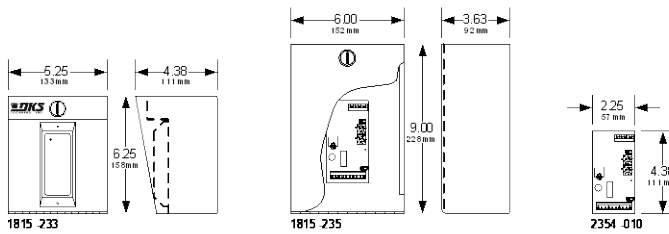
Minimum order for HID cards is 100. Cards are sold in blocks of 50 only. Special order cards are sold in blocks of 100 only.

<p>HID Prox Cards These cards are factory pre-coded. Card numbers may, or may not be, in numerical sequence.</p> <p>1508-018 ProxCard Clamshell Cards</p> <p>100 10.08</p> <p>150-500..... 9.68</p> <p>550-950..... 9.28</p> <p>1000+ 8.88</p> <p>1508-017 Prox ISO Graphics Cards</p> <p>100 16.56</p> <p>150-500..... 16.16</p> <p>550-950..... 15.76</p> <p>1000+ 15.36</p> <p>1508-016 ProxKey Key Tags</p> <p>100 17.92</p> <p>150-500..... 17.52</p> <p>550-950..... 17.12</p> <p>1000+ 16.72</p>	<p>HID Prox Cards - Special Order¹ These cards include sequential coding, specific card numbers and specific start / stop numbering sequences.</p> <p>1508-143 ProxCard Clamshell Cards</p> <p>100 13.28</p> <p>200-500..... 12.88</p> <p>600-900..... 12.48</p> <p>1000+ 12.08</p> <p>1508-144 Prox ISO Graphics Cards</p> <p>100 19.10</p> <p>200-500..... 18.70</p> <p>600-900..... 18.30</p> <p>1000+ 17.90</p> <p>1508-145 ProxKey Key Tags</p> <p>100 19.74</p> <p>200-500..... 19.34</p> <p>600-900..... 18.94</p> <p>1000+ 18.54</p> <p>1508-014 ProxPass Active Tags (use with 1815-395 only)</p> <p>1-9 128.00</p> <p>10-30..... 125.00</p> <p>40-100..... 122.00</p> <p>110-490..... 119.00</p> <p>500+ 116.00</p> <p>Note 1: Special orders cannot be returned for credit.</p>
---	--

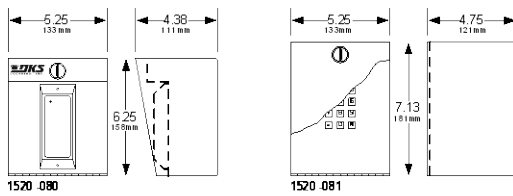
AWID Proximity Card Readers (125 KHz)



26-Bit Wiegand Output



RS-485 Output



Relay Output

26-Bit Wiegand Output

1815-280 (SR 2400) Up to 4-inch range	290.00
1815-281 (SP 6820) Up to 8-inch range	524.00
1815-282 (MM 6800) Up to 2-inch range	524.00
1815-290 (1815-280 reader w/enclosure).....	532.00
1815-292 (1815-290 w/expansion board)	1,128.00
1815-283 (MR 1824) Up to 24 inch range.....	1,050.00
1815-284 (MR 1824 MC) Up to 16 inch range	1,292.00
1504-122 (1815-281 w/intercom substitution).....	930.00

RS-485 Output (ACCESS PLUS ONLY)

1815-233 Up to 3-inch range	710.00
1815-235 (2354-010 w/enclosure).....	542.00
2354-010 (26-Bit Wiegand to RS-485 converter)	244.00

- RS485 output is proprietary and will interface with Access Plus products only

Relay Output (Stand Alone)

1520-080.....	1,164.00
1520-081 Controller only	968.00

- 1520 reader/controller can store up to 1000 card codes
- 3600 event history buffer
- Built-in programming keypad
- Timed anti-pass back, hold open time zones

AWID Prox Cards (125 KHz)

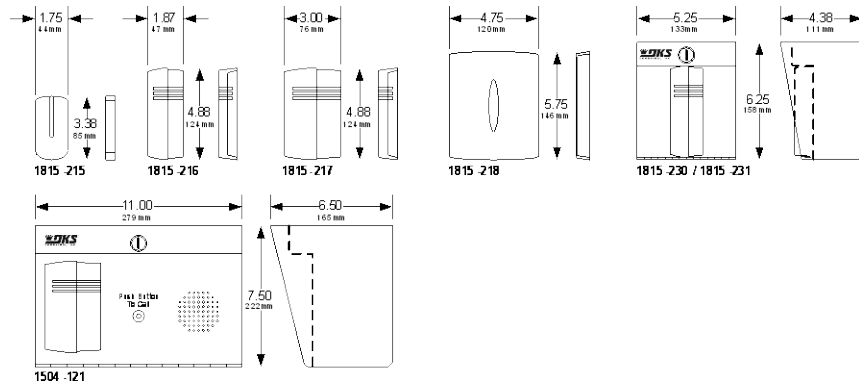
Cards are sold in blocks of 50 only.

Special order cards are sold in blocks of 100 only.

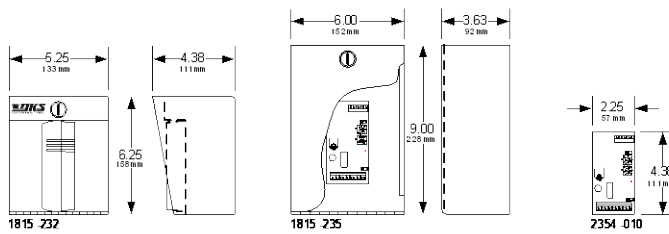
AWID Prox Cards	
These cards are factory pre-coded. Card numbers may, or may not be, in numerical sequence.	
1508-020 Prox-Linc Clamshell Cards	
50-100	8.40
150-500	8.00
550-950	7.60
1000+	7.20
1508-021 Prox-Linc GR ISO Graphics Cards	
50-100	12.78
150-500	12.38
550-950	11.98
1000+	11.58
1508-022 Prox-Linc KT Key Tags	
50-100	13.56
150-500	13.16
550-950	12.76
1000+	12.36

AWID Prox Cards - Special Order¹ (minimum 100)	
These cards include sequential coding, specific card numbers and specific start / stop numbering sequences.	
1508-132 Prox-Linc Clamshell Cards	
100	11.64
200-500	11.24
600-900	10.84
1000+	10.44
1508-133 Prox-Linc GR ISO Graphics Cards	
100	16.02
200-500	15.62
600-900	15.22
1000+	14.82
1508-134 Prox-Linc KT Key Tags	
100	16.76
200-500	16.36
600-900	15.96
1000+	15.56
Note 1: Special orders cannot be returned for credit.	

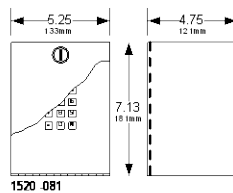
ID-Teck Proximity Card Readers (125 KHz)



26-Bit Wiegand Output



RS-485 Output



Relay Output

26-Bit Wiegand Output

1815-215 (RF Tiny) Up to 3-inch range	354.00
1815-216 (RF 10) Up to 3-inch range	354.00
1815-217 (RF 20) Up to 3-inch range	354.00
1815-218 (RF 30) Up to 12 inch range	868.00
1815-230 (1815-216 reader w/enclosure)	430.00
1815-231 (1815-230 w/expansion board)	1,108.00
1504-121 (1815-217 w/intercom substation)	942.00

RS-485 Output (ACCESS PLUS ONLY)

1815-232 Up to 3-inch range	658.00
1815-235 (2354-010 w/enclosure)	526.00
2354-010 (26-Bit Wiegand to RS-485 converter)	244.00

- RS485 output is proprietary and will interface with Access Plus products only

Relay Output (Stand Alone)

1520-081 Controller only	968.00
--------------------------------	--------

- 1520 reader/controller can store up to 1000 card codes
- 3600 event history buffer
- Built-in programming keypad
- Timed anti-pass back, hold open time zones

ID-Teck Prox Cards (125 KHz)

Note: cards will work with the following ID-Teck Prox readers only:
1815-215, 1815-216, 1815-217, 1815-218, 1815-230, 1815-231, 1504-121

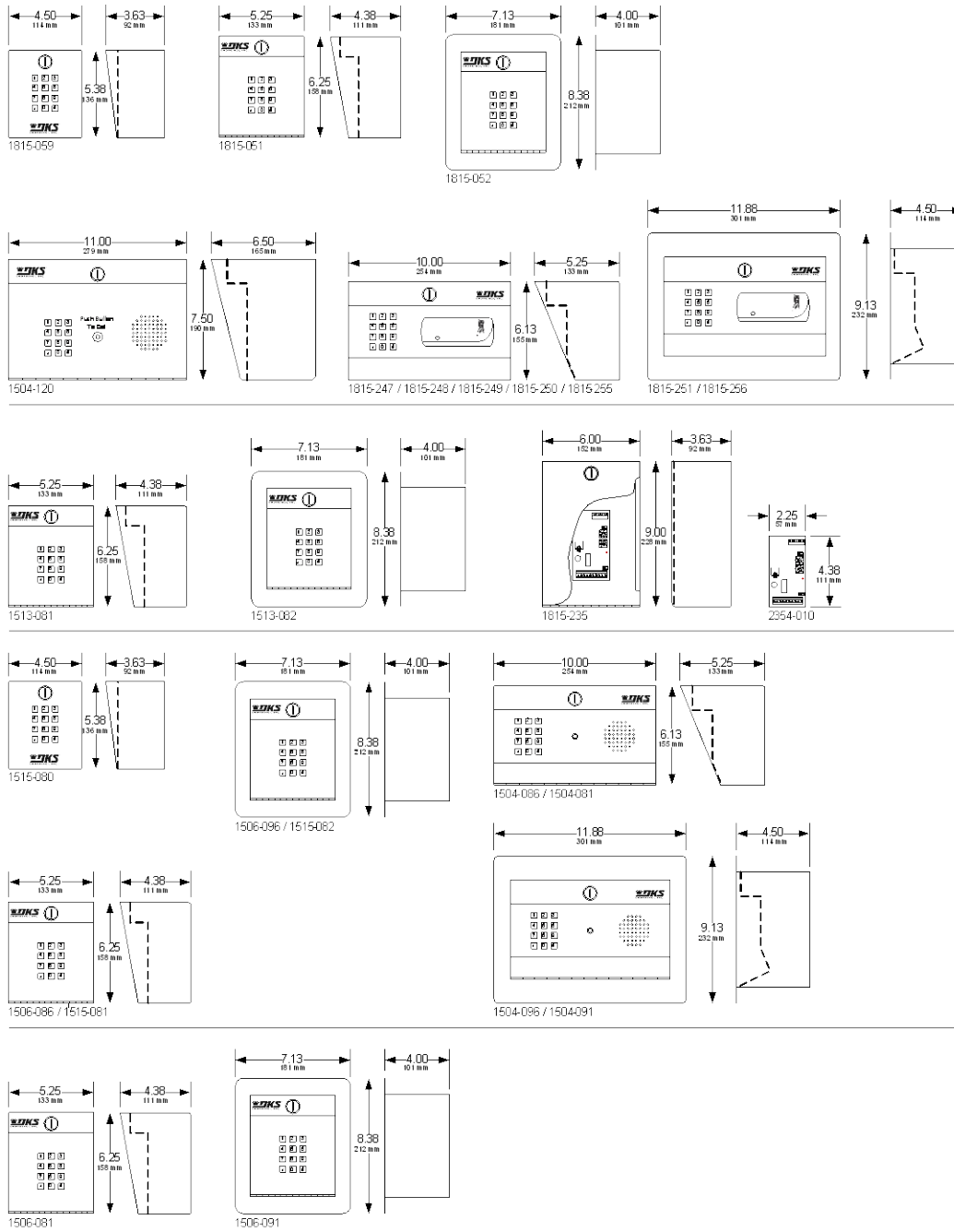
Cards are sold in blocks of 50 only.

ID-Teck Prox Cards	
These cards are factory pre-coded. Card numbers may, or may not be, in numerical sequence.	
1508-110 RF 170 Clamshell Cards	
50-100.....	11.24
150-500.....	10.84
550-950.....	10.44
1000+.....	10.04
1508-111 RF 80 ISO Graphics Cards	
50-100.....	16.94
150-500.....	16.54
550-950.....	16.14
1000+.....	15.74
1508-112 RF 50 Key Tags	
50-100.....	18.00
150-500.....	17.60
550-950.....	17.20
1000+.....	16.80

Special order cards are sold in blocks of 100 only.

ID-Teck Prox Cards - Special Order¹	
These cards include sequential coding, specific card numbers and specific start / stop numbering sequences.	
1508-136 RF 170 Clamshell Cards	
100	14.46
200-500.....	14.06
600-900.....	13.66
1000+	13.16
1508-137 RF 80 ISO Graphics Cards	
100	20.36
200-500.....	19.96
600-900.....	19.56
1000+	19.16
1508-138 RF 50 Key Tags	
100	21.42
200-500.....	21.02
600-900.....	20.62
1000+	20.22
Note 1: Special orders cannot be returned for credit.	

Keypads



Keypads

26-Bit Wiegand Output
These keypads must be connected to a 26-bit wiegand controller, such as the DK 1830 Series. They are not stand-alone devices.

1815-059 Surface Mount	552.00
• Low power solar mode.	
• NFC (Android app only)	
1815-051 Surface Mount	712.00
1815-052 Flush Mount.....	982.00
1504-120 Surface Mount w/intercom substation	1,082.00

26-Bit Wiegand Output
These keypad/card reader combinations must be connected to a 26-bit wiegand controller, such as the DK 1830 Series. They are not stand-alone devices.

1815-247 Surface Mount	1,388.00
• Keypad with ID Tech (1815-216) card reader.	
1815-248 Surface Mount	1,440.00
• Keypad with AWID (1815-281) card reader.	
1815-249 Surface Mount	1,602.00
• Keypad with HID (1815-382) card reader.	
1815-250 Surface Mount	1,328.00
• Keypad with DK Prox (1815-300) card reader.	
1815-251 Flush Mount.....	1,574.00
• Keypad with DK Prox (1815-300) card reader.	
1815-255 Surface Mount	1,390.00
• Keypad with DK ProxPlus (1815-685) reader.	
1815-256 Flush Mount.....	1,638.00
• Keypad with DK ProxPlus (1815-685) reader.	

RS-485 Output (ACCESS PLUS ONLY)
These keypads must be connected to a RS-485 controller, such as the DK Access Plus Series. They are not stand-alone devices.

1513-081 Surface Mount	730.00
1513-082 Flush Mount.....	904.00
1815-235 (2354-010 w/enclosure)	526.00
2354-010 (26-Bit Wiegand to RS-485 converter)	244.00
• RS485 output is proprietary and will interface with Access Plus products only	

Relay Output (Stand Alone)
These keypads use a dry relay(s) contact and are designed to be used as a stand-alone device.

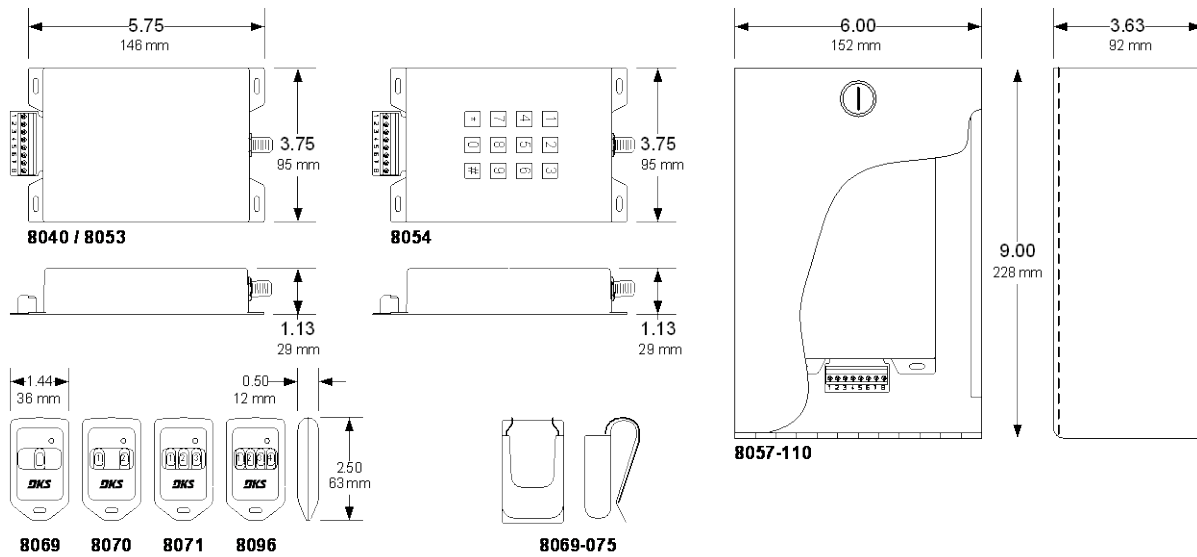
1506-086 Surface Mount	890.00
1506-096 Flush Mount.....	1,174.00
1504-086 Surface Mount w/intercom substation	1,102.00
1504-096 Flush Mount w/intercom substation.....	1,356.00
• 2 Form C dry contact relays.	
• 1000 four (4) digit entry codes.	
• 6 five (5) digit entry codes.	
• Hold open codes.	
• Time zone inputs.	
1515-080 ¹ Surface Mount	524.00
1515-081 Surface Mount	696.00
1515-082 Flush Mount.....	986.00
1504-081 Surface Mount w/intercom substation	896.00
1504-091 Flush Mount w/intercom substation.....	1,116.00
• 1 Form C dry contact relay.	
• 400 four (4) or five (5) digit entry codes.	
• Hold open codes.	
• Low power solar mode.	

1. Includes NFC programming with DK Manager app, Android only (Free from Google Play store).

Secondary Keypad
These keypads can only be used with DK telephone entry systems.

1506-081 Surface Mount	596.00
1506-091 Flush Mount.....	1,028.00

MICROPLUS® RF Controls



26-Bit Wiegand Output	
8040-080	262.00
<ul style="list-style-type: none"> • 5300 Transmitter codes. • 26, 30 or 31-bit wiegand format. 	
8040-090	262.00
<ul style="list-style-type: none"> • 5300 Transmitter codes. • 26, 30 or 31-bit wiegand format. • Compatible with Elite Series¹ DT-418 transmitters. 	
1. Elite Series is a registered trademark of The Chamberlain Group, Inc.	
RS-485 Output (ACCESS PLUS ONLY)	
8053-080	290.00
<ul style="list-style-type: none"> • 5300 Transmitter codes. • RS485 output is proprietary and will interface with Access Plus products only 	
MicroPlus Visor Clips (Black)	
8069-075	
1-30	5.30
31-100	4.80
101+	4.30

Relay Output (Stand Alone)	
8040-080 100 Transmitter codes	262.00
<ul style="list-style-type: none"> • Program via the "learn" method. • Individual codes cannot be deleted. 	
8054-081 50 Transmitter codes	524.00
8054-082 100 Transmitter codes	610.00
8054-083 250 Transmitter codes	696.00
8054-084 500 Transmitter codes	784.00
8054-085 1000 Transmitter codes	876.00
8054-086 1250 Transmitter codes	960.00
<ul style="list-style-type: none"> • Built-in time clock, 10 programmable time zones. • 2300 event history buffer. • Can be connected to a serial printer. 	
Receiver Accessories	
8057-110 Lockable outdoor enclosure.....	292.00
1514-073 Coax Antenna kit	77.52
8052-080 Antenna Amplifier 318 MHz.....	322.00

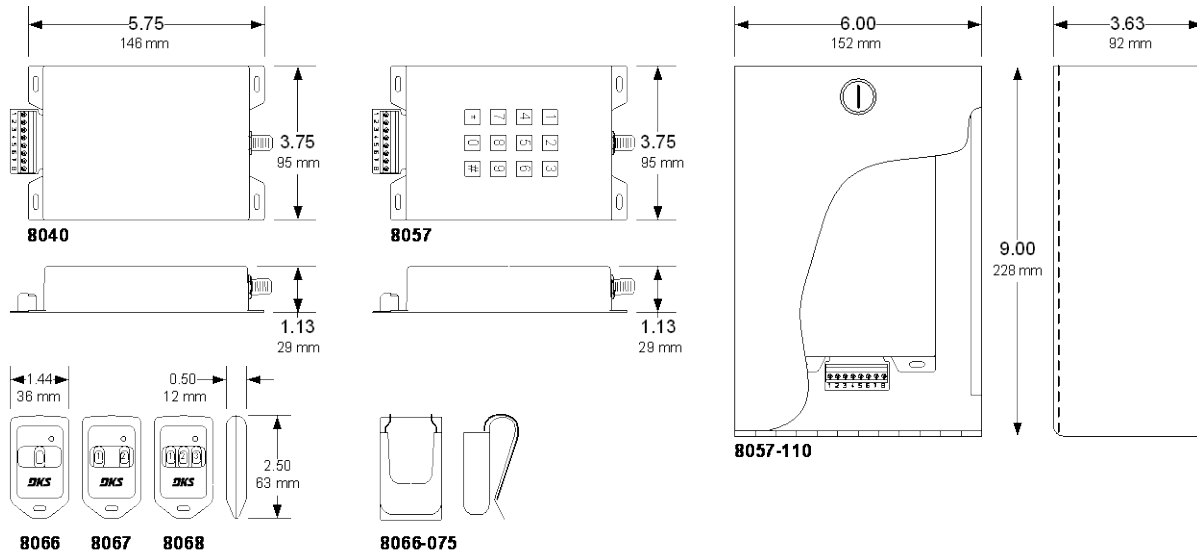
MICROPLUS® Transmitters / PROXMTR® (Transmitter w/proximity card reader built-in)

IMPORTANT! The prices shown are for block-coded transmitters ordered in multiples of 10 only. Add \$3.70 per transmitter for any order specifying transmitter numbering sequence or facility codes.

8069-080 1 Button	
10-30.....	46.86
40-100.....	44.86
110+.....	40.86
8070-080 2 Button	
10-30.....	49.44
40-100.....	47.44
110+.....	43.44
8071-080 3 Button	
10-30.....	52.02
40-100.....	50.02
110+.....	46.02
8096-080 4 Button	
10-30.....	54.60
40-100.....	52.60
110+.....	48.60
8069-082 1 Button w/AWID Tag	
10-30.....	58.20
40-100.....	56.20
110+.....	52.20
8070-082 2 Button w/AWID Tag	
10-30.....	60.78
40-100.....	58.78
110+.....	54.78
8071-082 3 Button w/AWID Tag	
10-30.....	63.34
40-100.....	61.34
110+.....	57.34
8096-082 4 Button w/AWID Tag	
10-30.....	65.92
40-100.....	63.92
110+.....	59.92
8069-084 1 Button w/HID Tag	
10-30.....	58.20
40-100.....	56.20
110+.....	52.20
8070-084 2 Button w/HID Tag	
10-30.....	60.78
40-100.....	58.78
110+.....	54.78
8071-084 3 Button w/HID Tag	
10-30.....	63.34
40-100.....	61.34
110+.....	57.34
8096-084 4 Button w/HID Tag	
10-30.....	65.92
40-100.....	63.92
110+.....	59.92

8069-086 1 Button w/IDTeck Tag	
10-30.....	58.20
40-100.....	56.20
110+.....	52.20
8070-086 2 Button w/IDTeck Tag	
10-30.....	60.78
40-100.....	58.78
110+.....	54.78
8071-086 3 Button w/IDTeck Tag	
10-30.....	63.34
40-100.....	61.34
110+.....	57.34
8096-086 4 Button w/IDTeck Tag	
10-30.....	65.92
40-100.....	63.92
110+.....	59.92
8069-087 1 Button w/DK Prox Tag	
10-30.....	58.20
40-100.....	56.20
110+.....	52.20
8070-087 2 Button w/DK Prox tag	
10-30.....	60.78
40-100.....	58.78
110+.....	54.78
8071-087 3 Button w/DK Prox Tag	
10-30.....	63.34
40-100.....	61.34
110+.....	57.34
8096-087 4 Button w/DK Prox Tag	
10-30.....	65.92
40-100.....	63.92
110+.....	59.92
8069-088 1 Button w/DK ProxPlus Secure Tag	
10-30.....	58.20
40-100.....	56.20
110+.....	52.20
8070-088 2 Button w/DK ProxPlus Secure Tag	
10-30.....	60.78
40-100.....	58.78
110+.....	54.78
8071-088 3 Button w/DK ProxPlus Secure Tag	
10-30.....	63.34
40-100.....	61.34
110+.....	57.34
8096-088 4 Button w/DK ProxPlus Secure Tag	
10-30.....	65.92
40-100.....	63.92
110+.....	59.92

MICROCLI[®] RF Controls



26-Bit Wiegand Output

8040-080262.00

- 5300 Transmitter codes.
- 26, 30 or 31-bit wiegand format.

8040-090262.00

- 5300 Transmitter codes.
- 26, 30 or 31-bit wiegand format.
- Compatible with Elite Series¹ DT-418 transmitters.

1. Elite Series is a registered trademark of The Chamberlain Group, Inc.

MicroClik Visor Clips (Gray)

8066-075

1-305.30

31-1004.80

101+4.30

Relay Output (Stand Alone)

8040-080 100 Transmitter codes 262.00

- Program via the “learn” method.
- Individual codes cannot be deleted.

8057-081 50 Transmitter codes 434.00

8057-082 100 Transmitter codes 524.00

8057-083 250 Transmitter codes 604.00

8057-084 500 Transmitter codes 696.00

8057-085 1000 Transmitter codes 784.00

8057-086 5000 Transmitter codes 876.00

8057-088 16,000 Transmitter codes 960.00

- Built-in time clock, 10 programmable time zones.
- 2300 event history buffer.
- Can be connected to a serial printer.

Receiver Accessories

8057-110 Lockable outdoor enclosure..... 292.00

1514-073 Coax Antenna kit 77.52

8052-080 Antenna Amplifier 318 MHz..... 322.00

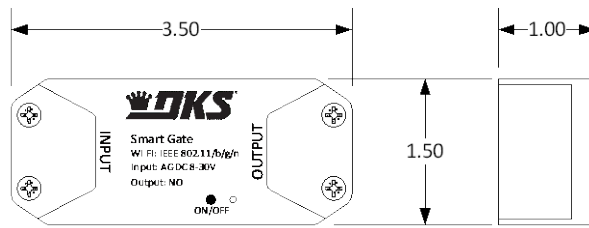
MICROCLI[®] Transmitters / PROXMTR[®] (Transmitter w/proximity card reader built-in)

IMPORTANT! The prices shown are for block-coded transmitters ordered in multiples of 10 only. Add \$3.70 per transmitter for any order specifying transmitter numbering sequence or facility codes.

8066-080 1 Button		8066-084 1 Button w/IDTeck Tag	
10-30	49.44	10-30.....	60.78
40-100	47.44	40-100.....	58.78
110+.....	43.44	110+.....	54.78
8067-080 2 Button		8067-084 2 Button w/IDTeck Tag	
10-30	52.02	10-30.....	63.34
40-100	50.02	40-100.....	61.34
110+.....	46.02	110+.....	57.34
8068-080 3 Button		8068-084 3 Button w/IDTeck Tag	
10-30	54.60	10-30.....	65.92
40-100	52.60	40-100.....	63.92
110+.....	48.60	110+.....	59.92
8066-082 1 Button w/AWID Tag		8066-085 1 Button w/DK Prox Tag	
10-30	60.78	10-30.....	60.78
40-100	58.78	40-100.....	58.78
110+.....	54.78	110+.....	54.78
8067-082 2 Button w/AWID Tag		8067-085 2 Button w/DK Prox Tag	
10-30	63.34	10-30.....	63.34
40-100	61.34	40-100.....	61.34
110+.....	57.34	110+.....	57.34
8068-082 3 Button w/AWID Tag		8068-085 3 Button w/DK Prox Tag	
10-30	65.92	10-30.....	65.92
40-100	63.92	40-100.....	63.92
110+.....	59.92	110+.....	59.92
8066-083 1 Button w/HID Tag		8066-086 1 Button w/DK ProxPlus Tag	
10-30	60.78	10-30.....	60.78
40-100	58.78	40-100.....	58.78
110+.....	54.78	110+.....	54.78
8067-083 2 Button w/HID Tag		8067-086 2 Button w/DK ProxPlus Tag	
10-30	63.34	10-30.....	63.34
40-100	61.34	40-100.....	61.34
110+.....	57.34	110+.....	57.34
8068-083 3 Button w/HID Tag		8068-086 3 Button w/DK ProxPlus Tag	
10-30	65.92	10-30.....	65.92
40-100	63.92	40-100.....	63.92
110+.....	59.92	110+.....	59.92

8072-080 1 Button 418 MHz	
10-30.....	64.38
40-100.....	62.38
110+.....	58.38
8073-080 2 Button 418 MHz	
10-30.....	66.96
40-100.....	64.96
110+.....	60.96
8074-080 3 Button 418 MHz	
10-30.....	69.52
40-100.....	67.52
110+.....	63.52

Smart Gate Controller



1800-500

Smart Gate Switch

1800-500162.00

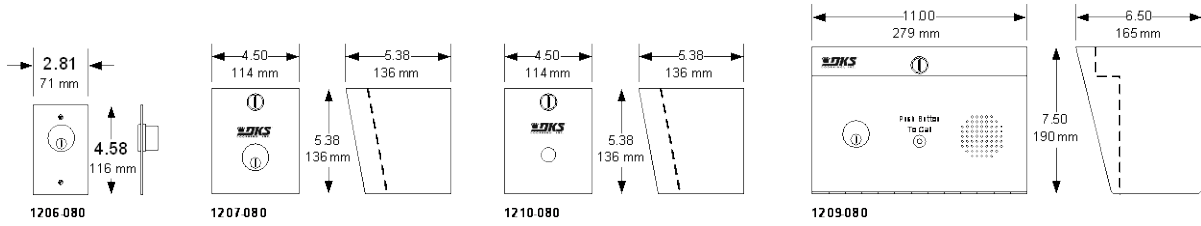
- Gate magnet position sensor¹
- N.O. switch output
- 8-30 VAC/VDC
- 2.4 GHz WiFi IEEE 802.11b/g/n²

1. Must be installed to enable gate (open/close) status
2. Smart gate switch requires a WiFi connection.

DKS Smart Connect app

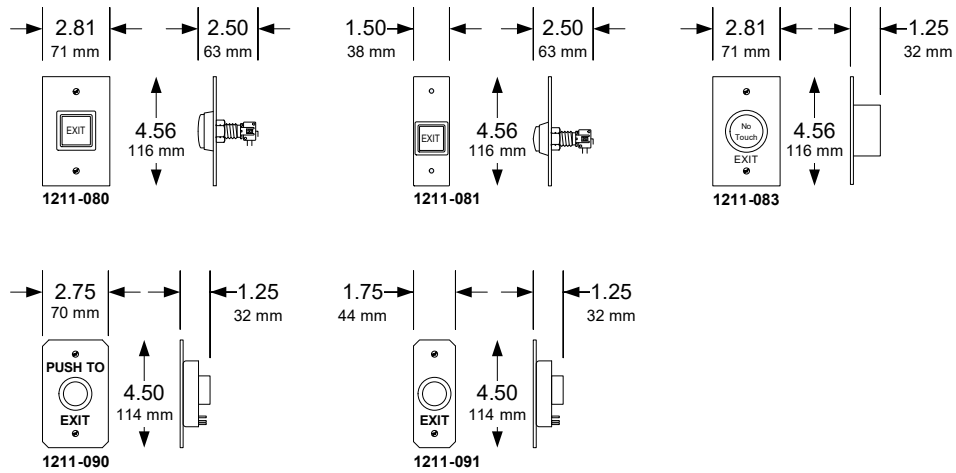
- iOS or Android
- Free on App Store and Google Play
- Open and Close your gate
- Show gate status (open or close)
- Setup open and close notifications
- Setup schedules
- View open / close history log
- Works with Alexa, Google Home and Siri

Key Switches



Mortise Key Cylinder		Ace Key Cylinder	
1206-080.....	254.00	1210-080.....	352.00
<ul style="list-style-type: none"> N.O. or N.C. operation. Mounts in single-gang electric box. Indoor use only. 		<ul style="list-style-type: none"> N.O. or N.C. operation. Surface mount non-lighted enclosure. Indoor or outdoor use. 	
1207-080.....	364.00		
<ul style="list-style-type: none"> N.O. or N.C. operation. Surface mount non-lighted enclosure. Indoor or outdoor use. 			
1209-080.....	694.00		
<ul style="list-style-type: none"> N.O. or N.C. operation. Surface mount lighted enclosure. Indoor or outdoor use. Intercom substitution. 			

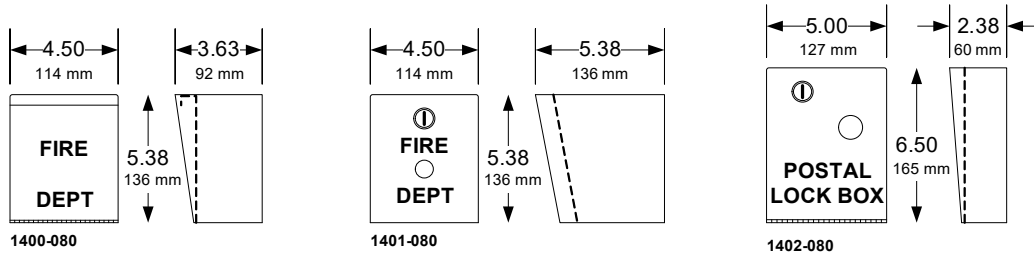
Push Buttons



Push Button Switch	
1211-080	99.30
<ul style="list-style-type: none"> • Stainless-steel faceplate. • Mounts in special single-gang electric box, 2-5/8 deep. Standard electrical box will require an extension ring. • Requires 12-VDC power to illuminate exit button. • Indoor use only. 	
1211-081	80.34
<ul style="list-style-type: none"> • Stainless-steel faceplate. • Mullion mount. • Requires 12-VDC power to illuminate exit button. • Indoor use only. 	
1211-083	144.00
<ul style="list-style-type: none"> • No Touch exit button. • Stainless-steel faceplate. • Mounts in single-gang electric box. • Requires 12-VDC power. • Indoor use only. 	

Piezoelectric Switch	
1211-090.....	482.00
<ul style="list-style-type: none"> • Vandal resistant stainless-steel faceplate. • Selectable illumination status (red, green). • Mounts in single-gang electric box. • Requires 12-24 VDC power. 	
1211-091.....	498.00
<ul style="list-style-type: none"> • Vandal resistant stainless-steel faceplate. • Selectable illumination status (red, green). • Mullion mount. • Requires 12-24 VDC power. 	

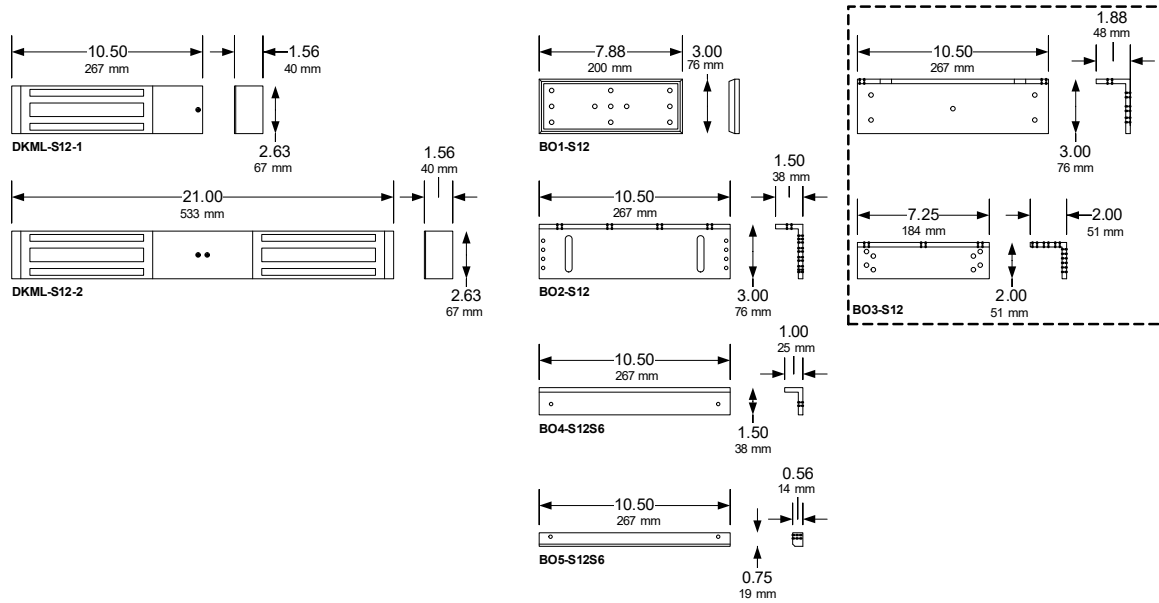
Lock Boxes



<p>Fire Department Lock Box</p> <p>1400-080176.00</p> <ul style="list-style-type: none"> • Accepts Fire Department padlock. • Surface or post mounted. • Painted bright red. • Constant contact switch when padlock is removed and the door is open. 		<p>Postal Service Lock Box</p> <p>1402-080..... 236.00</p> <ul style="list-style-type: none"> • Accepts standard postal key lock. • Surface or post mount. • Painted Postal blue. • Postal lock can be installed to either activate a door or gate, or simply open the postal box. 	
<p>1401-080216.00</p> <ul style="list-style-type: none"> • Accepts Knox 3501 key switch. • Surface or post mounted. • Faceplate painted bright red. 			

Magnetic Door Locks

1200 Lb (544 Kg) Door Locks (Indoor Use Only)

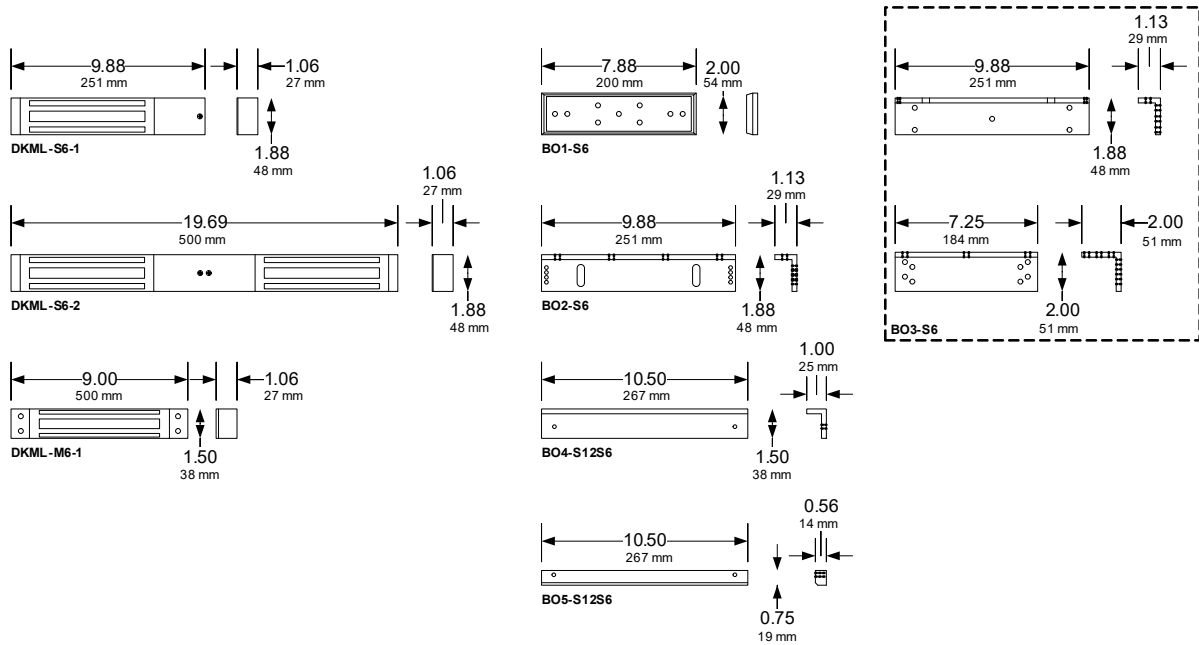


Single Door Locks Surface Mount	
DKML-S12-1.....	500.00
DKML-S12-1L.....	620.00
DKML-S12-1LT.....	656.00
Dual Door Locks Surface Mount	
DKML-S12-2.....	978.00
DKML-S12-2L.....	1224.00
DKML-S12-2LT.....	1284.00
<ul style="list-style-type: none"> • Locks operate on 12 or 24 Volt DC power. • "L" includes LED status indicator. • "T" includes built-in time delay. 	

Mounting Brackets	
BO1-S12 Armature Bracket.....	77.52
BO2-S12 L Bracket.....	77.52
BO4-S12S6 Angle Bracket.....	86.12
BO5-S12S6 Spacer Bar.....	69.68
BO3-S12 L & Z Bracket Kit.....	195.00
DC Lock Power Transformers	
1812-018 12 Volt, 1000 mA.....	65.92
1812-136 24 Volt, 1000 mA.....	86.12

Magnetic Door Locks

600 Lb (272 Kg) Door Locks (Indoor Use Only)



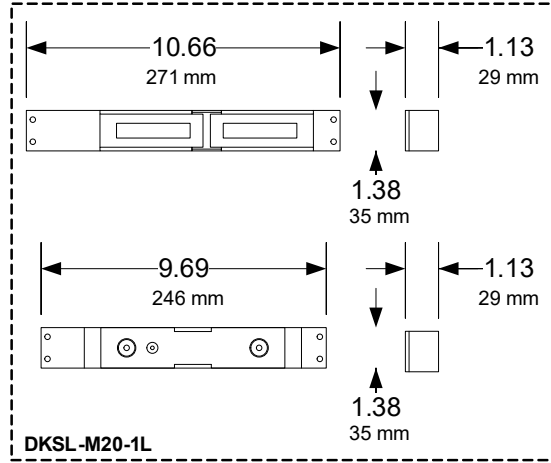
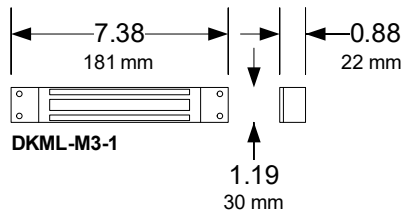
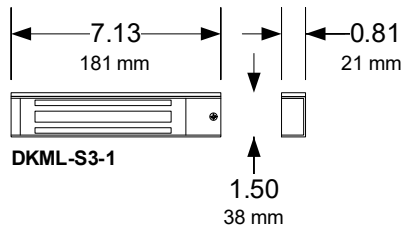
Single Door Locks Surface Mount	
DKML-S6-1	464.00
DKML-S6-1L	518.00
DKML-S6-1LT	568.00
Single Door Locks Mortise Mount	
DKML-M6-1	380.00
DKML-M6-1L	418.00
DKML-M6-1LT	454.00
Dual Door Locks Surface Mount	
DKML-S6-2	898.00
DKML-S6-2L	1,018.00
DKML-S6-2LT	1,102.00

- Locks operate on 12 or 24 Volt DC power.
- "L" includes LED status indicator.
- "T" includes built-in time delay.

Mounting Brackets	
BO1-S12 Armature Bracket	77.52
BO2-S12 L Bracket	77.52
BO4-S12S6 Angle Bracket	86.12
BO5-S12S6 Spacer Bar	69.68
BO3-S12 L & Z Bracket Kit	194.00
DC Lock Power Transformers	
1812-018 12 Volt, 1000 mA	65.92
1812-136 24 Volt, 1000 mA	86.12

Magnetic Door Locks

300 Lb (136 Kg) Mini-locks and 2000 Lb (907 Kg) Shear Lock (Indoor Use Only)



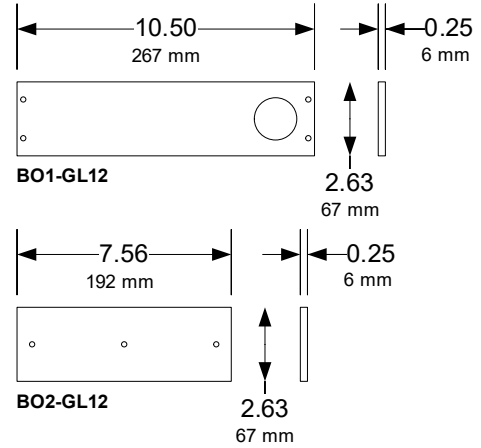
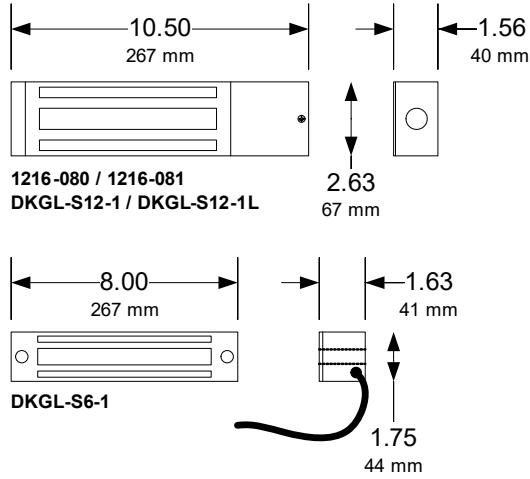
300 Lb. Door Locks	
DKML-S3-1 Surface Mount	382.00
DKML-M3-1 Mortise Mount	382.00
2000 Lb. Shear Lock Surface Mount	
DKSL-M20-1L	736.00

- Locks operate on 12 or 24 Volt DC power.
- Shear lock includes LED status indicator and built-in signal relay.

DC Lock Power Transformers	
1812-018 12 Volt, 1000 mA.....	65.92
1812-136 24 Volt, 1000 mA.....	86.12

Magnetic Gate Locks

600 Lb (272 Kg) and 1200 Lb (544 Kg) Gate Locks

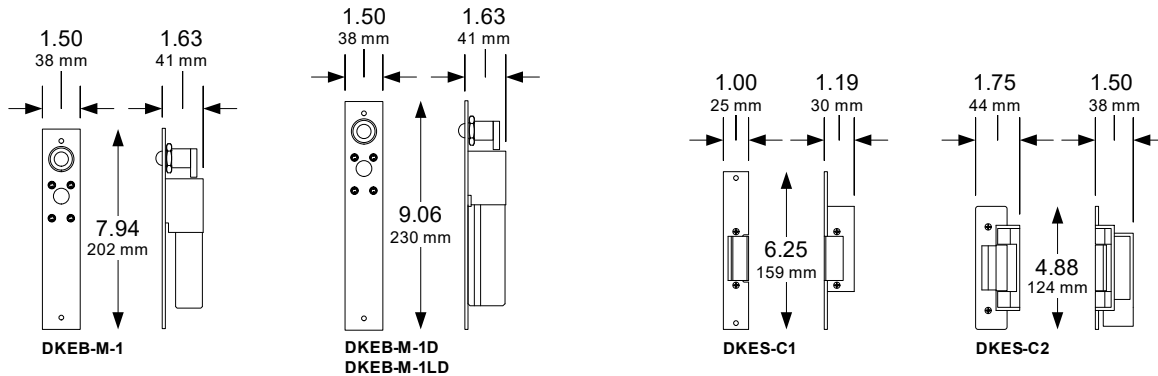


1200 Lb. Gate Lock Kits Surface Mount	
1216-080.....	638.00
1216-081.....	750.00
<ul style="list-style-type: none"> • 1216-081 has built-in signal relay. • Kits include predrilled and tapped mounting brackets, BO1-GL12 and BO2-GL12. 	
1200 Lb. Gate Locks Top, Bottom or Face Mount	
DKGL-S12-1.....	530.00
DKGL-S12-1L w/Signal Relay.....	650.00
600 Lb. Gate Lock Face Mount Only	
DKGL-S6-1 w/Signal Relay.....	494.00
<ul style="list-style-type: none"> • Gate locks operate on 12 or 24 Volt DC power. 	

Mounting Brackets	
BO1-GL12 Lock Bracket.....	108.00
BO2-GL12 Armature Bracket.....	92.24
DC Lock Power Transformers	
1812-018 12 Volt, 1000 mA.....	65.92
1812-136 24 Volt, 1000 mA.....	86.12

Electric Door Locks

Dead-bolts and Strikes



Dead-bolt Door Locks	
DKEB-M-1	542.00
DKEB-M-1D	568.00
DKEB-M-1LD	596.00

- "L" includes sensor to indicate locked or unlocked condition.
- "D" includes door sensor to indicate an open or closed door.

Electric Strikes 11/32 inch (8.74 mm) keeper	
DKES-C1-1FX	93.62
DKES-C1-1FS	96.90

Electric Strikes 20/32 inch (15.88 mm) keeper	
DKES-C2-1FX	116.00
DKES-C2-1FS	122.00

- FX = Fail Secure
- FS = Fail Safe

Blank Page

Blank Page