



Section A1

This Price Schedule is effective March 4, 2024.

Vehicular Traffic Control

Date	Page	Comment
3-4-24	All	March 2024 Price Schedule update.
3-21-24	12, 13	Added breakaway arm option.
3-28-24	41	Corrected steel base plate part number.
5-16-24	11, 13	Price adjustment on wood arms, 1601-348, 1601-384, 1602-340
6-14-24	13	Added high wind bracket option for the single-arm breakaway hardware kit.

Blank Page

UL 325 – February 2023

Requirements mandated by the safety standard (UL 325) that DKS gate operators are listed to require that photo-beams and contact edges used for entrapment protection must be monitored. Entrapment protection must be provided for the gate system where the risk of entrapment exist. The gate operator will not run without one or more external entrapment protection devices installed in each direction of travel. Check the gate operator installation manual for a list of external entrapment protection devices that can be used with DKS gate operator products.

The August 2018 update to the safety standard requires that a minimum of two (2) independent means of entrapment protection must be provided in each direction of travel where the risk of entrapment exists. The inherent system in DKS gate operators is active in both directions of travel, so this qualifies as one means of entrapment protection in each direction. The second means will be an external device, such as a non-contact (Type B1) or a contact (Type B2) sensor as required in each direction. The actual number of external devices required is dependent on the gate system layout and the number of entrapment areas that will need to be protected. Installers will have to identify all potential areas where the risk of entrapment exist and how best to protect those areas. For example, some gates may require two (or more) external devices in each direction of travel to protect all potential areas of entrapment. The standard also mandates that all components used for monitoring purposes for external devices must be factory installed internally within the device.

There is an exception for swing gates and vertical lift gates regarding the minimum of two entrapment protection devices in each direction of travel. For example, if on a swing gate system there is no potential for entrapment in the opening direction, then only the close direction will require a minimum of two means of entrapment protection. Installers will have to determine if any entrapment hazards exist in the opening direction, and if so, then those areas will have to be protected with external devices.

Vertical lift gates require two means of entrapment protection in the down cycle, but will only require one means of entrapment protection in the up cycle. The model 1175 is considered to be a vertical lift gate operator for entrapment protection means requirements.

Barrier (parking) gate operators that are installed in such a way that the parking arm does not come closer than 16 inches to a rigid object are not required to protect against entrapment.

The table below shows the minimum entrapment protection requirements for each type of gate operator in the scope of the UL 325 Standard for Safety.

	Opening	Closing
Horizontal Slide Gate	2	2
Horizontal Swing Gate	2*	2*
Vertical Pivot Gate	2	2
Vertical Lift Gate	1	2
Horizontal Bifold Gate	2	2
* For a horizontal swing gate operator, at least two independent entrapment protection means are required in each direction of travel. Except, if there is no entrapment zone in one direction of travel, only one means of entrapment protection is required in that direction of travel; however, the other direction must have two independent entrapment protection means.		

Blank Page

Table of Contents

Overhead / Parking Gate Operators / Traffic Spike Systems

Model 1175	6
Model 1601	8
Model 1601 Arm Options.....	10
Model 1602	12
Model 1603	14
Model 1603 Arm Options.....	16
Model 1610 Traffic Control Spikes.....	18
Warning Signs / Traffic Signals	20
Overhead / Barrier Gate Operator Parts.....	21

Swing Gate Operators

Model 6006, 6004, 6400	22
Model 6050 / 6100	24
Model 6300	26
Model 6500	28
Model 6524	30
Swing Gate Accessories.....	32
Swing Gate Operator Parts	33

Slide Gate Operators

Model 9000	34
Model 9024	36
Model 9050 / 9100	38
Model 9150	40
Slide Gate Accessories	42
Slide Gate Operator Parts	44

Entrapment Protection and Vehicle Detection

Entrapment Protection Devices Non-Contact Type B1	46
Entrapment Protection Devices Contact Type B2	47
Loop Detectors and Loops	48

Accessories

Control Stations	49
------------------------	----

Back-up Power Inverters

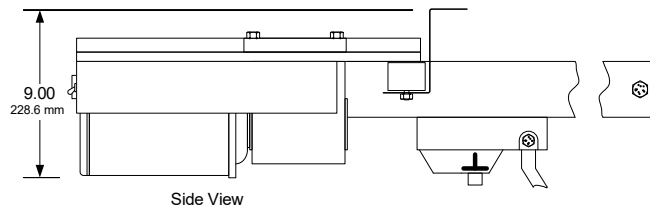
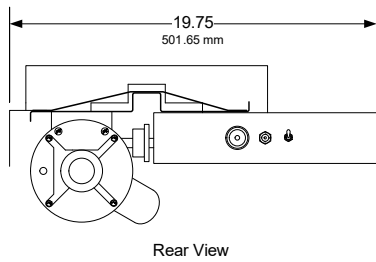
Model 1000	50
------------------	----

1175 Overhead Gate Operator

Indoor Use Only

1175

- Adjustable Limits
- Plug-in Loop Detector Ports
- Built-in power and reset switches
- Gate Tracker Data Output
- Steel Frame
- #40 Roller Chain
- Heavy-duty 3-in (76.2 mm) Rails
- Up to 14 Ft (4.27 m) high gate



Model	Maximum Gate Height	Overall Length	Mount Options ¹	Class of Operation ²	Voltage	HP	Power Outlets	Maximum Cycles / Day	Loop Ports ³	Adjustable Clutch ⁴
1175	8 Ft 2.43 m	12.25 Ft 3.73 m	Ceiling	II, III, IV	115 VAC	1/2	N/A	Continuous	2	No
	10 Ft 3.05 m	14.25 Ft 4.34 m								
	12 Ft 3.66 m	16.25 Ft 4.95 m								
	14 Ft 4.27 m	18.25 Ft 5.56 m								

1. If the operator is mounted less than 8 feet above the ground, the optional powerhead cover (1175-020) is required.
2. II = Commercial; III = Limited Access; IV = Restricted Access.
3. Plug-in loop detector ports; open and reverse. DoorKing plug-in loop detectors only.
4. Operator is equipped with a Type A inherent detection system.

WARNING! LTL Carriers are now charging additional fees for any shipment that is eight (8) feet in length or greater. These fees can be substantial.

1175 Overhead Gate Operator

Indoor Use Only

Powerhead Assembly

1175-380..... 2728.00

Optional Powerhead Cover

1175-020..... 414.00

Required if powerhead assembly is mounted less than 8 feet (2.43m) above the ground.

Rail Assembly

1150-225 (8 ft. high gate) 1608.00

1150-226 (10 ft. high gate) 1928.00

1150-227 (12 ft. high gate) 2250.00

1150-228 (14 ft. high gate) 2570.00

Entrapment Protection (required)

Use Type B1 (non-contact) and/or Type B2 (contact) entrapment protection devices to protect all areas where the risk of entrapment exist - see pages 46- 47.

Operator will not run without entrapment protection device(s) connected to the controller board. See installation manual for more information.

Loops and Loop Detectors

See page 48 for a complete list of all loop detectors, prefabricated loops and loop accessories available.

Surge Suppression

1879-080 High Voltage (120 VAC)..... 204.00

Backup Power Inverters

1000-083 1000 Watt, Pure Sine Wave 2872.00

1000-045 Inverter Post Mount Kit..... 560.00

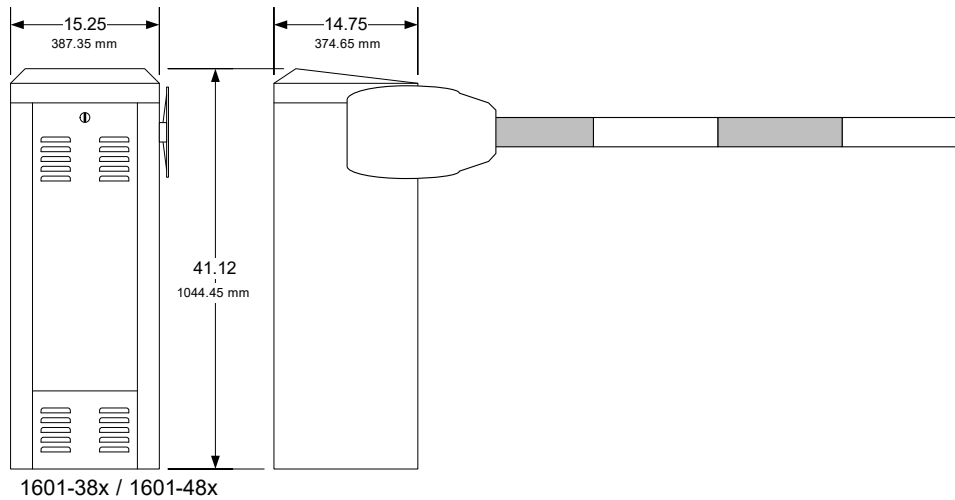
See page 50 for more information.

1601 Parking Gate Operator

Magnetic Limits

1601

- Magnetic Limits
- Plug-in Loop Detector Ports
- Gate Tracker Data Output
- Up input memory buffer
- Down memory buffer
- Includes photo-reflective beam (8080-057)
- Built-in power and operate switches
- Two convenience outlets
- Left or right hand mount
- 90° in approximately 2.5 sec.



Model	HP	Class of Operation ¹	Voltage ²	HP	Power Outlets	Cycle Time	Loop Ports ³	Arm Type	Maximum Length	Fold Option ⁴	Breakaway Option	Lighted ⁵
1601-38x 1601-48x	1/2	II, III, IV	115 208 230 460 575 VAC	Left Right	2	90° / 2.5 sec	2	Aluminum Octagonal	14 Ft. 4.27 m	Yes	Yes	Optional
								Aluminum Round	14 Ft. 4.27 m	Yes	Yes	No
								Wood	14 Ft. 4.27 m	Yes	No	No
								Plastic	12 Ft. 3.66 m	Yes	No	No

1. II = Commercial; III = Limited Access; IV = Restricted Access.
2. High voltage kit (P/N 2600-266) required for 208 Volt and higher.
3. Plug-in loop detector ports; up loop and down loop. DoorKing plug-in loop detectors only.
4. Maximum arm length using the fold option is 12 Ft. (3.66 m).
5. Octagonal aluminum arm uses Red/Green LED lighting with built-in reverse edge.

WARNING! LTL Carriers are now charging additional fees for any shipment that is eight (8) feet in length or greater. These fees can be substantial.

1601 Parking Gate Operator

Magnetic Limits

See pages 10-11 for 1601 operator arm selection.

Choose an Operator¹

1601-380 1/2 HP White Housing.....	4150.00
1601-381 1/2 HP w/COO White Housing	5354.00
1601-480 1/2 HP Gray Housing.....	5214.00
1601-481 1/2 HP w/COO Gray Housing.....	6292.00

Operators include 8080-057 photo-reflective beam.

High Voltage

2600-266 High Voltage Kit	834.00
---------------------------------	--------

Allows the operator to be powered from 208, 230, 460 or 575 VAC source voltage.

Required for Pedestrian Protection Photo Beam

9411-010 Loop Detector	326.00
------------------------------	--------

See page 48 for a complete list of all loop detectors and accessories available.

Surge Suppression

1879-080 High Voltage (120 VAC).....	204.00
--------------------------------------	--------

Backup Power Inverters

1000-083 1000 Watt, Pure Sine Wave	2872.00
1000-045 Inverter Post Mount Kit	560.00

See page 50 for more information.

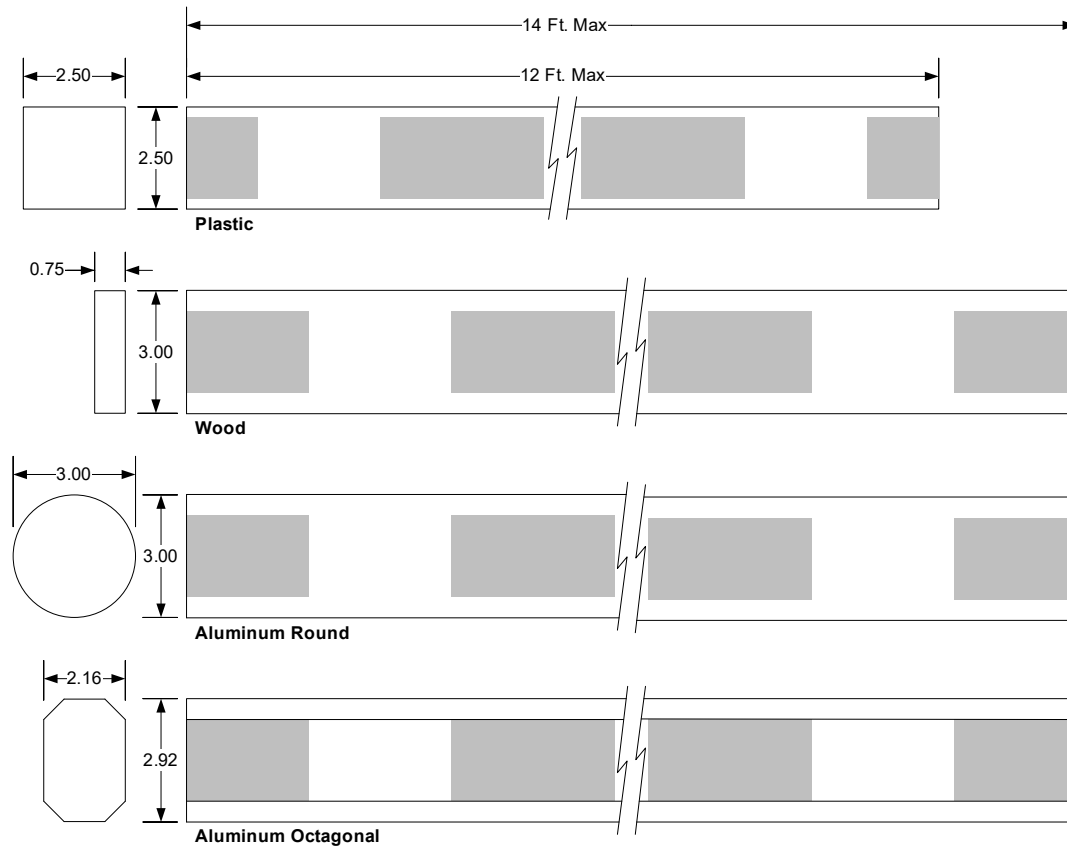
Accessories

1601-281 Arm Hub Cover White ¹	124.00
1601-283 Arm Hub Cover Gray ¹	124.00
1603-221 Traffic Signal 12 VDC.....	1156.00
1603-222 Traffic Signal 12 VDC w/35" Post	1358.00
1601-092 Heater Kit ²	354.00
1601-093 Fan Kit ³	354.00
1601-154 Heater Kit ⁴	630.00
1601-270 Manual Crank Kit.....	362.00

1. Arm hub cover is included with the 1601 operator. Shown here for replacement purposes only.
2. Use with 1601-380 and 1601-381 operators.
3. Use in hot, humid environments.
4. Use with 1601-480 and 1601-481 operators.

1601 Parking Gate Arm Selection

Arms, Hardware Kits, Edges



Type	Maximum Length	Fold Option ¹	Breakaway Option	Lighted Option ²
Plastic ³	12 Ft. 3.66 m	Yes	No	No
Wood ³	14 Ft. 4.27 m	Yes	No	No
Aluminum Round	14 Ft. 4.27 m	Yes	Yes	No
Aluminum Octagonal	14 Ft. 4.27 m	Yes	Yes	Yes

1. Maximum arm length using the fold option is 12 Ft. (3.66 m).
2. Octagonal aluminum arm uses Red/Green LED lighting with built-in reverse edge. Edges cannot be used with the 2 Ft. arm extension kit.
3. Plastic and wood arms are not recommended for use in high wind areas.

Quantities of 1-2 are not recommended as the arms can be easily damaged in transit. Quantities of 3-15 are shipped in bundles of three (3) in heavy-duty shipping tubes. Quantities greater than 15 are shipped in wooded crates.

WARNING! LTL Carriers are now charging additional fees for any shipment that is eight (8) feet in length or greater. These fees can be substantial.

1601 Parking Gate Arm Selection

Arms, Hardware Kits, Edges

1601-555 Octagonal Aluminum 14 Ft

1 - 34	492.00
35 - 60	480.00
61 - 84	466.00
85 - 108	452.00

Special Octagonal Aluminum Arms

1601-567 Arm 14 Ft (4.27 m), 2-Piece ¹	568.00
1601-812 Folding Arm Kit 12 Ft (3.66 m) ²	788.00
1. Ships in 8-ft (2.4m) long box.	
2. Minimum ceiling height for this kit is 10 feet (3.04 m)	

Octagonal Hardware Kits

1601-242 Hardware Kit ³	222.00
1601-235 Reverse Edge Hardware Kit ⁴	588.00
1601-295 Breakaway Arm Hardware Kit ⁵	1384.00
1601-297 High Wind Bridge Support Kit ⁶	144.00
3. Use this kit for arm only - no reverse edge.	
4. Use this kit for arms with reverse edge (includes wiring harness).	
5. Use this kit to add breakaway arm feature (includes wiring harness).	
6. Use with 1601-295 in areas with higher-than-normal wind loads.	

Octagonal Arm Edges⁷

8080-205 Reverse Edge 5 Ft.....	340.00
8080-206 Reverse Edge 6 Ft.....	360.00
8080-209 Reverse Edge 9 Ft.....	398.00
8080-080 Reverse Edge 12 Ft.....	496.00
8080-305 Reverse Edge 5 Ft Lighted	474.00
8080-306 Reverse Edge 6 Ft Lighted	482.00
8080-309 Reverse Edge 9 Ft Lighted	568.00
8080-096 Reverse Edge 12 Ft Lighted	684.00
1601-822 Folding Arm Reverse Edge Lighted ⁸	1080.00
8080-089 Bumper Edge 13 Ft (not a reverse edge)	152.00
7. Edge must be at least 2-Ft shorter than the overall arm length. Edges cannot be used with the 2 Ft (1601-802) arm extension.	
8. Includes two (2) 5 Ft lighted reverse edges and wire harnesses.	

Arm Conversion Kits

1601-532 Round Arm to Octagonal Arm	482.00
1601-538 Round Arm to Octagonal Breakaway Arm.....	776.00

1601-516 Round Aluminum 14 Ft

1 - 34	492.00
35 - 60	480.00
61 - 84	466.00
85 - 108	452.00

1601-522 Round Aluminum Breakaway 14 Ft

1 - 34	492.00
35 - 60	480.00
61 - 84	466.00
85 - 108	452.00

Special Round Aluminum Arms

1601-524 Arm 14 Ft (4.27 m), 2-Piece ¹	568.00
1601-610 Arm 12 Ft (3.66 m) Folding.....	692.00
1601-528 Arm 14 Ft (4.27 m), 2-Piece Breakaway	568.00
1. Ships in 8-ft (2.4m) long box.	

Round Aluminum Arm Hardware Kits

1601-242 Arm Hardware Kit	222.00
1601-295 Breakaway Arm Hardware Kit ²	1384.00
1601-297 High Wind Bridge Support Kit ³	144.00
2. Required for breakaway arms. Includes wire harness.	
3. Use with 1601-295 in areas with higher-than-normal wind loads.	

1601-348 Wood Arm 14 Ft

1 - 34	598.00
35 - 60	586.00
61 - 84	572.00
85 - 108	558.00

1601-384 Arm 12 Ft (3.66 m) Folding.....	626.00
1601-240 Arm Hardware Kit (Required)	190.00

1601-571 Plastic Arm 12 Ft

1 - 34	344.00
35 - 60	332.00
61 - 84	318.00
85 - 108	304.00

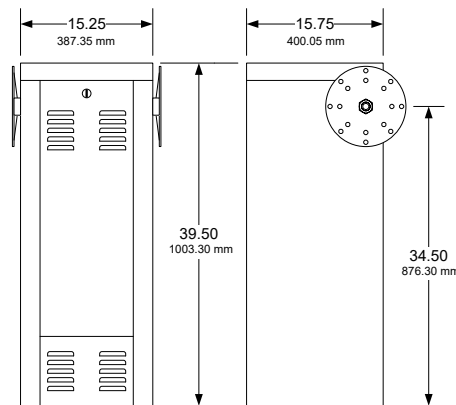
1601-383 Arm 12 Ft (3.66 m) Folding.....	576.00
1601-241 Arm Hardware Kit (Required)	190.00

1602 Parking Gate Operator

Magnetic Limits

1602

- Magnetic Limits
- Plug-in Loop Detector Ports
- Gate Tracker Data Output
- Up input memory buffer
- Down memory buffer
- Includes photo-reflective beam (8080-057)
- Built-in power and operate switches
- Two convenience outlets
- Left or right hand mount
- 90° in approximately 5.5 sec.



Model	Mount Options	Class of Operation ¹	Voltage ²	HP	Power Outlets	Cycle Time	Loop Ports ³	Arm Type	Maximum Length	Fold Option	Breakaway Option	Lighted Option ⁴
1602	Left or Right	II, III, IV	115 208 230 460 575 VAC	1	2	90° 5.5 sec	2	Single Octagonal	17 Ft. ⁵ 5.18 m	No	Yes	Yes
								Wishbone Octagonal or Round	20 Ft. 6.09 m	No	No	Yes No
									24 Ft. 7.31 m	No	No	Yes No
									27 Ft. 8.23 m	No	No	Yes No
								Wood	20 Ft. 6.09 m	No	No	No

1. II = Commercial; III = Limited Access; IV = Restricted Access.
2. High voltage kit (P/N 2600-266) required for 208 Volt and higher.
3. Plug-in loop detector ports; up loop and down loop. DoorKing plug-in loop detectors only.
4. LED lighted option available on the octagonal arms only.
5. 17-foot arm is a combination of the 1601-555 arm plus the 1602-303 arm extension kit.

1602 Parking Gate Operator

Magnetic Limits

Choose an Operator¹

1602-090 1 HP	6936.00
1602-091 1 HP w/COO ²	7722.00

1. Operators include 8080-057 photo-reflective beam and built-in manual crank release system.
2. Convenience Open Option provides a method to raise the arm when AC power has failed.

High Voltage

2600-266 High Voltage Kit	834.00
---------------------------------	--------

Allows the operator to be powered from 208, 230, 460 or 575 VAC source voltage.

Required for Pedestrian Protection Photo Beam

9411-010 Loop Detector	326.00
------------------------------	--------

See page 48 for a complete list of all loop detectors and accessories available.

Surge Suppression

1879-080 High Voltage (120 VAC).....	204.00
--------------------------------------	--------

Backup Power Inverters

1000-083 1000 Watt, Pure Sine Wave	2872.00
1000-045 Inverter Post Mount Kit	560.00

See page 50 for more information.

Accessories

8060-082 RF Kit (Receiver + MicroPlus TX (1)	254.00
1603-221 Traffic Signal 12 VDC.....	1156.00
1603-222 Traffic Signal 12 VDC w/35" Post	1358.00
1601-092 Heater Kit ¹	354.00
1601-093 Fan Kit ²	354.00

1. Heater turns on when temperature falls below 40°F (4.4°C).
2. Use in hot, humid environments.

Wishbone Aluminum Arms Octagonal

1602-282 3-Piece, 20 Ft (6.09 m)	5356.00
1602-284 3-Piece, 24 Ft (7.31 m)	5678.00
1602-287 3-Piece, 27 Ft (8.23 m)	5998.00

LED/Reverse Edge Kits¹ (Octagonal Arms Only)

1602-292 for 20 Ft (6.09 m) arm	1714.00
1602-294 for 24 Ft (7.31 m) arm	1864.00
1602-297 for 27 Ft (8.23 m) arm	2232.00

1. Kits include required LED/Reverse edge strips, power transformer, wire harness and hardware.

Wishbone Aluminum Arms Round

1602-162 3-Piece, 20 Ft (6.09 m)	5356.00
1602-164 3-Piece, 24 Ft (7.31 m)	5678.00
1602-166 3-Piece, 27 Ft (8.23 m)	5998.00

Wishbone Wood Arm

1602-340 3-Piece, 20 Ft (6.09 m)	770.00
1602-041 Hardware Kit - Required.....	1316.00

Straight Aluminum Arm Octagonal

1601-555 1-Piece, 14 Ft (4.27 m)	492.00
1602-303 3 Ft (.91 m) Arm Extension ¹	228.00
1601-242 Hardware Kit ²	222.00
1601-235 Reverse Edge Hardware Kit ³	588.00
1601-295 Breakaway Arm Hardware Kit ⁴	1384.00
8080-315 Reverse Edge 15 Ft (4.57 m) Lighted.	800.00
1601-297 High Wind Bridge Support Kit ⁵	144.00

1. Used in combination with the 1601-555 arm to create a 17 Ft arm. Kit cannot be used with the 1601 or 1603 operators.
2. Use this kit for arm only – no reverse edge.
3. Use this kit for arms with 8080-315 reverse edge.
4. Use this kit to add breakaway arm feature (includes wiring harness).
5. Use with 1601-295 in areas with higher-than-normal wind loads.

1603 Auto-Spikes / Operator

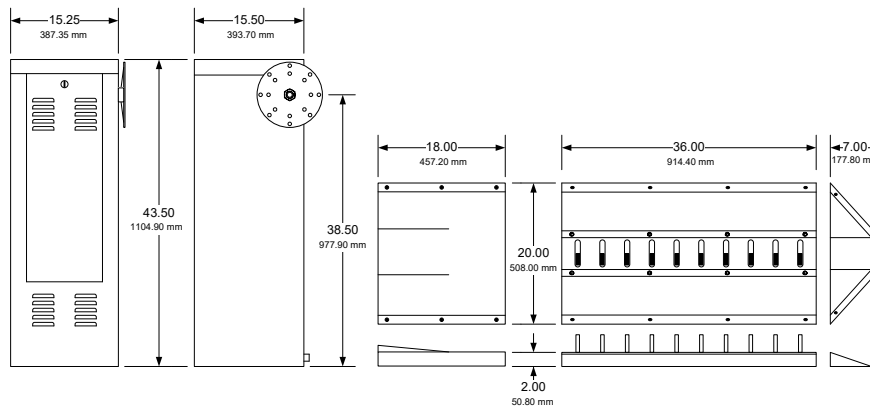
Automotive / Light Trucks Only

1603

- Magnetic Limits
- Plug-in Loop Detector Ports
- Gate Tracker Data Output
- Up input memory buffer
- Down memory buffer
- Built-in power switches
- Two convenience outlets
- Left or right hand mount
- Galvanized steel housing
- 90° in approximately 2.5 sec.

Spikes

- ¼ Multi-Grip steel
- 20,000 per axle weight limit
- 14 Ft. maximum width
- **1615-081 Warning Sign required**
- **Not recommended for use in areas subject to freezing weather**



Model	Mount Options	Class of Operation ¹	Voltage ²	HP	Power Outlets	Cycle Time	Loop Ports ³	Arm Type	Maximum Length	Fold Option ⁴	Breakaway Option	Lighted Option
1603	Left or Right	II, III, IV	115 208	1/2	2	90° 2.5 sec	2	Aluminum Octagonal	14 Ft. 4.27 m	Yes	No	Yes
			230 460					Aluminum Round	14 Ft. 4.27 m	Yes	No	No
			575 VAC									

1. II = Commercial; III = Limited Access; IV = Restricted Access.
2. High voltage kit (P/N 2600-266) required for 208 Volt and higher.
3. Plug-in loop detector ports; up loop and down loop. DoorKing plug-in loop detectors only.
4. Maximum arm length using the fold option is 12 Ft. (3.66 m).

Installation and use of spike components in areas that are subject to freezing weather with potential for snow and ice accumulation is not recommended. With advancements in tire construction, and with the many different types, sizes and styles of tires, we cannot guarantee that traffic control spikes will penetrate all tires. For use with automotive and light pickup trucks only.

WARNING! LTL Carriers are now charging additional fees for any shipment that is eight (8) feet in length or greater. These fees can be substantial.

1603 Auto-Spikes / Operator

Automotive / Light Trucks Only

See pages 16-17 for 1603 operator arm selection.

Choose an Operator¹

1603-380 1/2 HP	5782.00
1603-381 1/2 HP w/COO ²	6980.00
1. Operators include built-in manual crank release system.	
2. Convenience Open Option provides a method to raise the arm when AC power has failed.	

High Voltage

2600-266 High Voltage Kit	834.00
<i>Allows the operator to be powered from 208, 230, 460 or 575 VAC source voltage.</i>	

Backup Power Inverters

1000-083 1000 Watt, Pure Sine Wave	2872.00
1000-045 Inverter Post Mount Kit	560.00
<i>See page 50 for more information.</i>	

Surge Suppression

1879-080 High Voltage (120 VAC).....	204.00
--------------------------------------	--------

Required for Pedestrian Protection Photo Beam

8080-057 Photo-Reflective Beam	212.00
9411-010 Loop Detector	326.00
<i>See pages 46 - 47 for all protection devices available. See page 44 for a complete list of all loop detectors and accessories available.</i>	

Spike Components

1603-168 Drive Ext 18 in (457 mm) - Required	1684.00
<i>Choose spike components from below</i>	
1603-165 Spike Section 3 Ft (0.91 m).....	2994.00
1603-170 Tunnel Extension 18 in (457 mm).....	1582.00
1610-240 End Cap	580.00

Warning Sign - Required

1615-081 Auto-Spike Warning Sign.....	1518.00
<i>Illuminated warning sign MUST be used with the auto-spike system. Warning sign mounts on a 3.5 in (89 mm) post.</i>	

Traffic Signal - Recommended

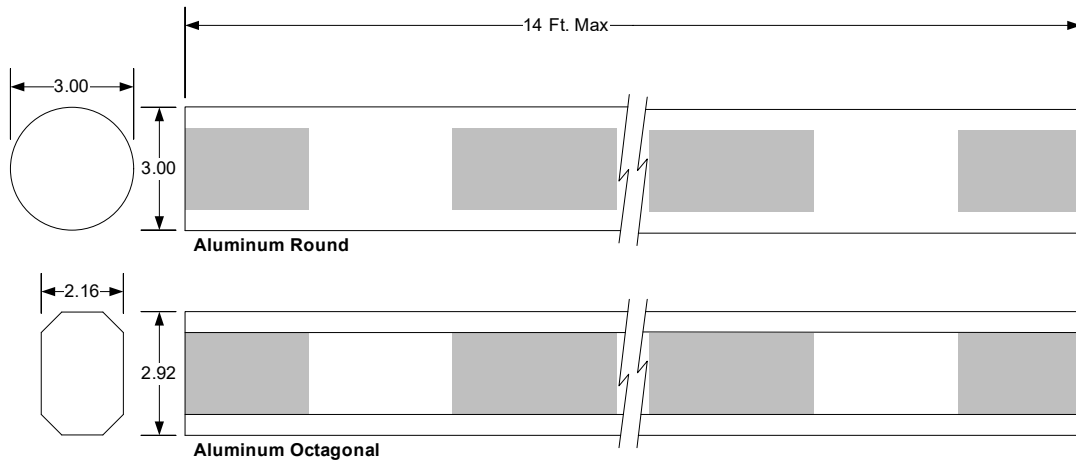
1603-222 12 VDC w/35" (.89m) Post	1358.00
1603-223 12 VDC w/95" (2.4m) Post	2744.00

Accessories

1601-281 Arm Hub Cover ¹	124.00
1601-092 Heater Kit ²	354.00
1601-093 Fan Kit ³	354.00
1603-001 Replacement Manual Crank Handle	174.00
1. Arm hub cover is included with the 1603 operator. Shown here for replacement purposes only.	
2. Heater turns on when temperature falls below 40°F (4.4°C).	
3. Use in hot, humid environments.	

1603 Auto-Spikes / Operator Arm Selection

Arms, Hardware Kits, Edges



Type	Maximum Length	Fold Option ¹	Breakaway Option	Lighted Option ²
Aluminum Round	14 Ft. 4.27 m	Yes	Yes	No
Aluminum Octagonal	14 Ft. 4.27 m	Yes	Yes	Yes

1. Maximum arm length using the fold option is 12 Ft. (3.66 m).
2. Octagonal aluminum arm uses Red/Green LED lighting with built-in reverse edge.

Quantities of 1-2 are not recommended as the arms can be easily damaged in transit. Quantities of 3-15 are shipped in bundles of three (3) in heavy-duty shipping tubes. Quantities greater than 15 are shipped in wooded crates.

Wood, Plastic and Breakaway arms cannot be used with the 1603 Barrier Gate / Auto-Spikes product.

WARNING! LTL Carriers are now charging additional fees for any shipment that is eight (8) feet in length or greater. These fees can be substantial.

1603 Auto-Spikes / Operator Arm Selection

Arms, Hardware Kits, Edges

1601-555 Octagonal Aluminum 14 Ft

1 - 34	492.00
35 - 60	480.00
61 - 84	466.00
85 - 108	452.00

Arm Options

1601-567 Arm 14 Ft (4.27 m), 2-Piece ¹	568.00
1601-812 Folding Arm Kit 12 Ft (3.66 m) ²	788.00
1. Ships in 8-ft (2.4m) long box.	
2. Minimum ceiling height for this kit is 10 feet (3.04 m)	

Octagonal Hardware Kits

1601-242 Hardware Kit ³	222.00
1601-235 Reverse Edge Hardware Kit ⁴	588.00
3. Use this kit for arm only – no reverse edge.	
4. Use this kit for arms with reverse edge (includes wiring harness).	

Octagonal Arm Edges⁵

8080-205 Reverse Edge 5 Ft.....	340.00
8080-206 Reverse Edge 6 Ft.....	360.00
8080-209 Reverse Edge 9 Ft.....	398.00
8080-080 Reverse Edge 12 Ft.....	496.00
8080-305 Reverse Edge 5 Ft Lighted	474.00
8080-306 Reverse Edge 6 Ft Lighted	482.00
8080-309 Reverse Edge 9 Ft Lighted	568.00
8080-096 Reverse Edge 12 Ft Lighted	684.00
1601-822 Folding Arm Reverse Edge Lighted ⁶	1080.00
8080-089 Bumper Edge 13 Ft (not a reverse edge).....	152.00
5. Edge must be at least 2-Ft shorter than the overall arm length.	
6. Includes two (2) 5 Ft lighted reverse edges and wire harnesses.	

Arm Conversion Kits

1601-532 Round Arm to Octagonal Arm	482.00
---	--------

1601-516 Round Aluminum 14 Ft

1 - 34	492.00
35 - 60	480.00
61 - 84	466.00
85 - 108	452.00

Arm Options

1601-524 Arm 14 Ft (4.27 m), 2-Piece ¹	568.00
1601-610 Arm 12 Ft (3.66 m) Folding	692.00
1. Ships in 8-ft (2.4m) long box.	

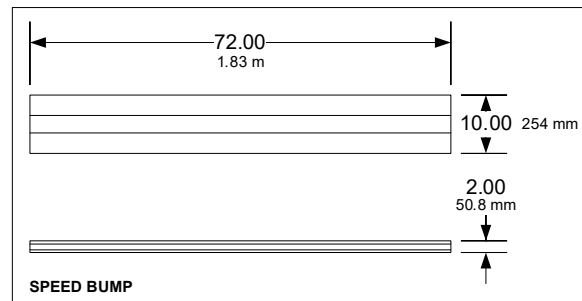
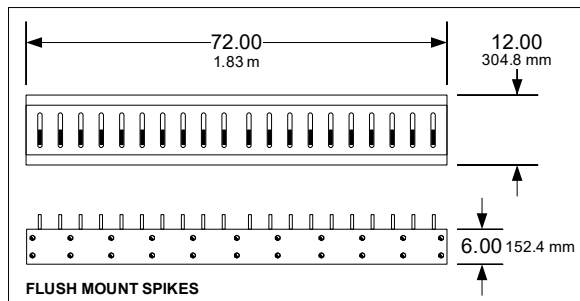
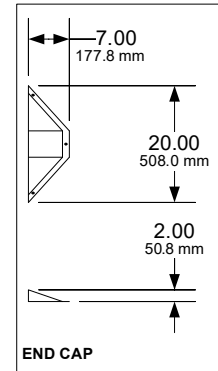
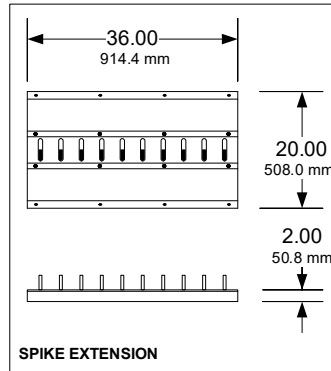
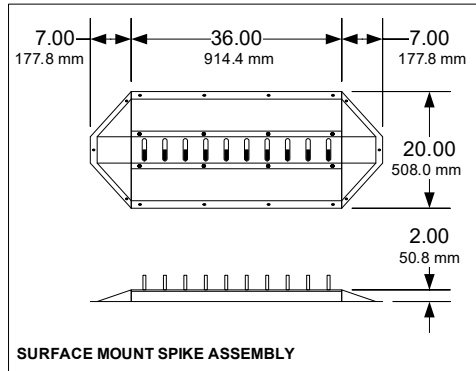
Round Aluminum Arm Hardware Kits

1601-242 Arm Hardware Kit ²	222.00
2. Required.	

Model 1610 Stand-Alone Traffic Control Spikes

Automotive / Light Trucks Only

Installation and use of spike components in areas that are subject to freezing weather with potential for snow and ice accumulation is not recommended. With advancements in tire construction, and with the many different types, sizes and styles of tires, we cannot guarantee that traffic control spikes will penetrate all tires. For use with automotive and light pickup trucks only.



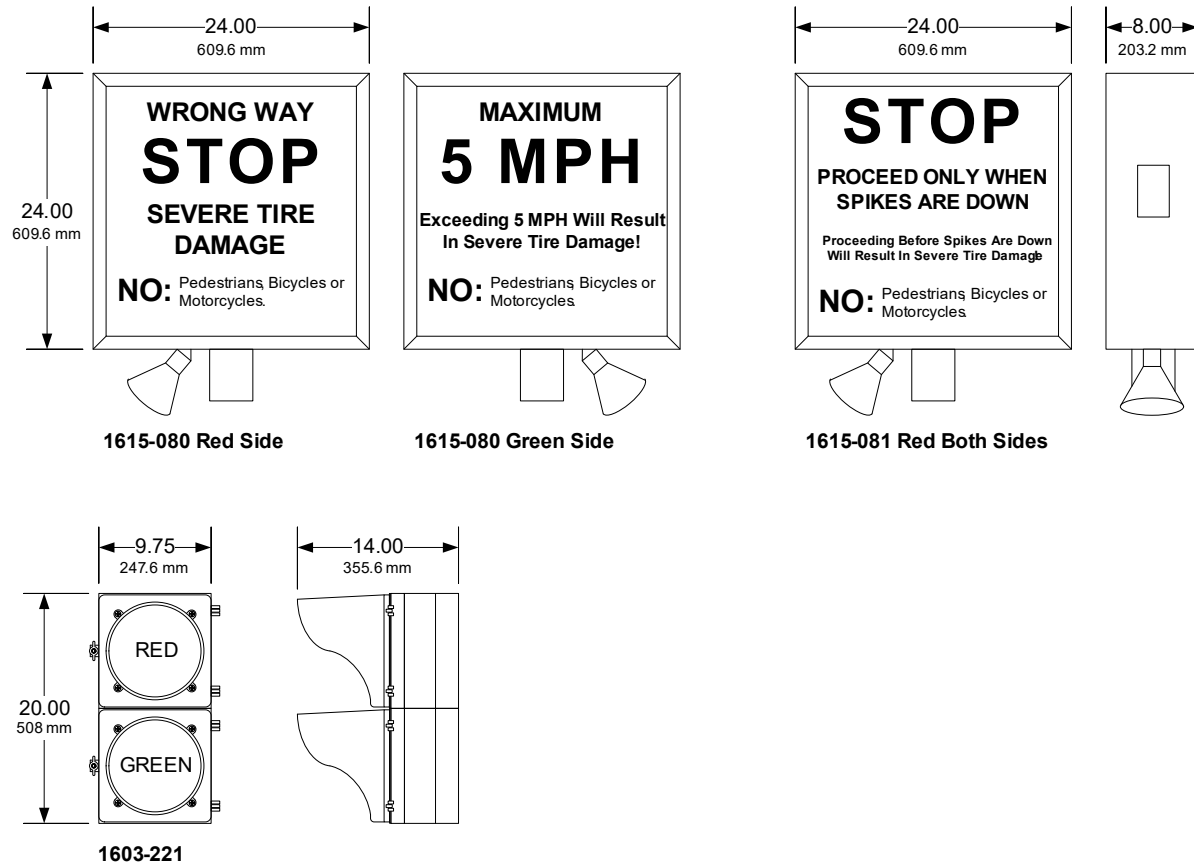
8,000 Lb. per axle Weight Limit (5 MPH Maximum Speed)	
Surface Mount¹	
1610-088 Assembly Spring Retraction ²	4230.00
1610-087 Extension	2980.00
1610-240 End Cap.....	580.00
1610-010 Lock Down Tool	412.00
1. Surface mount spikes have a lock down feature (requires 1610-010).	
2. 1610-088 assembly includes one (1) 1610-087 and two (2) 1610-240.	
20,000 Lb. per axle Weight Limit (5 MPH Maximum Speed)	
Flush Mount Heavy-Duty	
1610-090 Spring Retraction HD	3652.00
1610-091 Weighted Retraction HD.....	3384.00
Flush Mount Heavy-Duty w/Lockdown Feature	
1610-092 Spring Retraction w/Lockdown HD ¹	3286.00
1610-093 Weighted Retraction w/Lockdown HD ²	3766.00
1. Includes 1610-012 lock-down tool.	
2. Includes 1610-013 lock-down tool	

8,000 Lb. per axle Weight Limit (5 MPH Maximum Speed)	
Flush Mount	
1610-080 Spring Retraction	2866.00
1610-081 Weighted Retraction.....	2898.00
Flush Mount w/Lock-Down Feature	
1610-082 Spring Retraction ¹	2860.00
1610-083 Weighted Retraction ²	3278.00
1. Includes 1610-012 lock-down tool.	
2. Includes 1610-013 lock-down tool	
Replacement Lock-Down Tools	
1610-012 Use with Spring Retraction spikes.....	110.00
1610-013 Use with Weighted Retraction spikes	214.00
Speed Bump	
1610-150 Speed Bump.....	668.00
Warning Sign – Required¹	
1615-080 Warning Sign.....	1518.00
1. Mandatory when spike systems are installed.	

Blank Page

Traffic Control

Warning Sign, Traffic Signal



Illuminated Warning Signs	
1615-080	1518.00
1615-082 (Spanish).....	1518.00
<ul style="list-style-type: none"> Use these signs with surface and flush mount spike systems. Signs mount on a 3.5 in (89 mm) post. 	
Illuminated Auto-Spike Warning Sign	
1615-081	1518.00
<ul style="list-style-type: none"> Use this sign with the 1603 auto-spike system. Sign mounts on a 3.5 in (89 mm) post. 	
Replacement Components	
1615-022 LED T8 Tube, 12W, 700 Lumens	95.16
1615-023 LED Flood Lamp, 9W, 655 Lumens.....	166.00
1615-032 RED panel	212.00
1615-034 GREEN panel.....	212.00
1615-035 RED Auto-spike panel	212.00

Traffic Signal 12 VDC	
1603-221.....	1156.00
1603-222 includes 35" (.89m) Mount Post.....	1358.00
1603-223 includes 95" (2.4m) Mount Post	2744.00
Replacement Components	
1603-551 LED Bulb 12VDC, 7W	52.08

Overhead / Barrier Operator Parts & Replacement Items

Miscellaneous Parts & Accessories

Circuit Boards	
1601-010.....	830.00
Used in models 1601, 1602 and 1603	
4405-018.....	830.00
Used in model 1175	
1473-121 Convenience Open kit.....	454.00
Used in pre-2016 models 1150, 1601, 1602 and 1603	

Spike System Replacement Components	
1610-031	15.68
Replacement spring for 1610-080 spike set	
1610-030	40.76
Replacement spike for 1610-080 spike set	
1610-035	41.20
Replacement spike for 1610-083 spike set	
1610-037	40.76
Spike spring lockdown assembly	
1610-045	41.14
Spike, weighted assembly	

Barrier Operator Replacement Parts	
1601-281	124.00
Barrier arm hub cover - white	
1601-283	124.00
Barrier arm hub cover - gray	
2599-101	27.76
Replacement Warning Sign	
1601-069	54.88
Wood arm mounting bracket	
1601-068	84.84
Plastic arm mounting bracket	
1601-360	228.00
Arm mounting hub kit - steel	
1801-009	120.00
12 Volt, 3 AH replacement battery	

Warning Sign Replacement Components	
1615-032	212.00
Warning sign replacement panel – RED (use with 1610-080 warning sign)	
1615-034	212.00
Warning sign replacement panel – GREEN (use with 1610-080 warning sign)	
1615-035	212.00
Auto-spike warning sign replacement panel (use with 1610-081 warning sign)	
1615-038	314.00
Warning Sign panel – Entrapment Alert	
1615-022	95.16
T8 LED Tube Lamp, 12 Watt, 700 Lumens (warning sign replacement bulbs)	
1615-023	166.00
LED Flood Lamp, 12VDC, 9 Watt	
1603-551	52.08
LED Bulb 12VDC, 7 Watt (traffic signal replacement bulb)	

6004, 6006, 6400 Operators

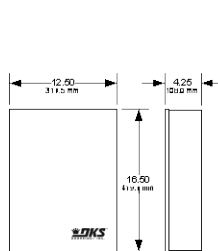
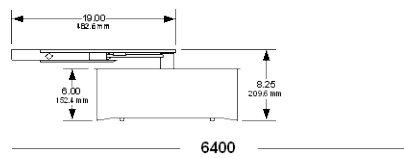
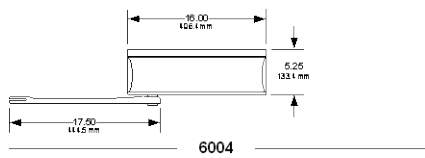
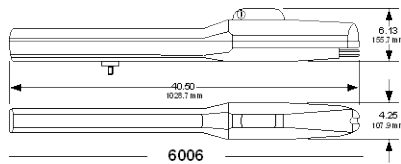
Residential/Light Commercial

Operators

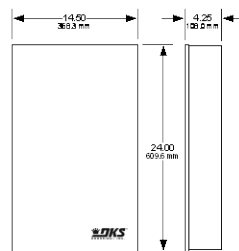
- 24 VDC continuous duty motor
- Built-in magnetic limit switches
- Slow-Start / Slow-Stop
- Small, compact designs

Control Box

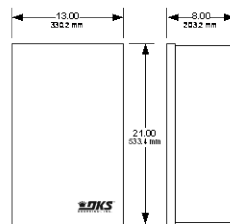
- 115 VAC or 24 VDC / Solar input power
- Includes photocell
- Single and Dual (bi-parting) gate operation
- 18 Ah or 35 Ah battery options



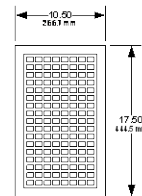
120 Volt AC
Standard Control Box



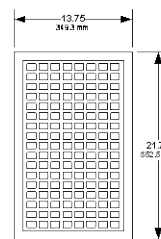
120 Volt AC
Deluxe Control Box



24 Volt DC
Solar Control Box



Solar Panel
24 VDC 10 W



Solar Panel
24 VDC 20 W

Model	Max Gate Weight ¹	Max Gate Length ¹	Max Cycles per Day ²	Maximum Cycles on Backup Power ²		
				3.5 Ah	18 Ah	35 Ah
6006	600 lbs. (272 kg)	18 ft. (5.48 m)	300	100	600	1200
	800 lbs. (362 kg)	16 ft. (4.87 m)				
	1600 lbs. (725 kg)	8 ft. (2.43 m)				
6004	500 lbs. (227 kg)	8 ft. (2.44 m)	100	100	600	1200
6400	300 lbs. (136 kg)	8 ft. (2.44 m)	100	100	600	1200

1. Assumes gate to be in good condition and swinging in a level plane.
2. Cycles shown are estimates only for single operators when solar panel(s) are not providing a charge to the batteries. Actual number of cycles will vary depending on usage, accessories connected, gate weight, operating condition of gate, temperature, geographic location, weather (cloud coverage) and charge state of the batteries.

6006, 6004, 6400 Operators

Residential / Light Commercial

Actuators¹

6006-380 Actuator Primary 1860.00

6006-381 Actuator Secondary² 2334.00

1. 4302-xxx control box is required. Control box will operate a single or dual (Bi-parting gates) actuators.

2. Same as 6006-380, but also includes 50 Ft. of interconnecting cable.

Operators

6004-380 Column Mount Residential 2118.00

6400-380 In-Ground Residential 2602.00

Entrapment Protection (required)

Use Type B1 (non-contact) and/or Type B2 (contact) entrapment protection devices to protect all areas where the risk of entrapment exist - see pages 46 - 47.

Actuator/Operator will not run without entrapment protection device(s) connected to the controller board. See installation manual for more information.

4302 Control Boxes include the 8080-057 photocell.

Loops and Loop Detectors

See page 48 for a complete list of all loop detectors, prefabricated loops and loop accessories available.

Flange Bearing Hinge

1200-009 3000 Lb. (1360 kg) Weight Capacity 198.00

Includes mounting bracket and hardware, two required per gate (top, bottom), designed for use with 2" (50.8 mm) gate frame.

Sealed Bearing Hinge

1200-019 2000 Lb. (907 kg) Weight Capacity 198.00

1200-039 3000 Lb. (1360 kg) Weight Capacity 236.00

Includes mounting bracket and hardware, two required per gate (top, bottom), designed for use with round or square gate frames.

Torsion Rod Assembly

1203-084 454.00

2600-299 Additional Torsion Rods 160.00

Counter-balances uphill swing gates, includes top bracket, bottom bracket and one (1) torsion rod. Up to five (5) additional torsion rods can be added.

115 VAC Control Box

4302-311 Standard 1598.00

4302-312 Deluxe 1746.00

115 VAC control boxes include two (2) 3.5 Ah batteries, 8080-057 photocell, 8040-080 receiver and two (2) single button transmitters.

Deluxe control box includes three (3) 115 VAC convenient outlets.

Solar Control Box

4302-313 (No batteries) 2018.00

4302-314 (Two 18 Ah batteries) 2224.00

4302-315 (Two 35 Ah batteries) 2412.00

Solar control boxes include 8080-057 photocell, 8040-080 receiver and two (2) single button transmitters.

Solar Panels

2000-076 24-Volt, 20-Watt 940.00

Use with 35 Ah batteries

2000-077 24-Volt, 10-Watt 474.00

Use with 18 Ah batteries

2000-110 Solar Panel Mount Bracket 80.36

Batteries

1801-009 12-volt, 3.5 Ah 120.00

1801-004 12-volt, 18 Ah 282.00

1801-005 12-volt, 35 Ah 362.00

Surge Suppression

1879-080 High Voltage (120 VAC) 204.00

Bi-Parting (Dual) Gate Connection Cable

2600-755 30-Ft. (9.1 m) 322.00

2600-756 40-Ft. (12.2 m) 384.00

2600-757 50-Ft. (15.2 m) 474.00

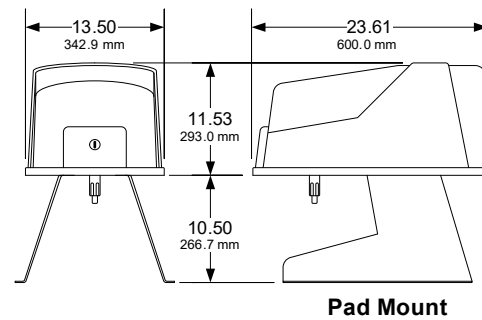
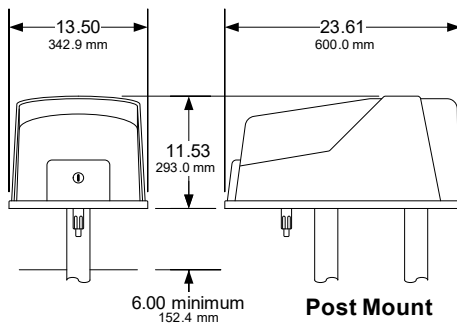
2600-754 500-Ft. (152.4 m) 4806.00

6050 / 6100 Swing Gate Operators

Automatic Magnetic Limits

6050 / 6100

- Self-Adjusting Magnetic Limits
- Type A inherent reverse system
- Plug-in Loop Detector Ports
- Gate Tracker Data Output
- Built-in power and reset switches
- Tamper protect feature
- Polypropylene cover
- Galvanized steel frame
- Pad or Post mounted
- Opens gate 90° in approximately 12 sec.
- Magnetic lock output
- Overlap feature for bi-parting gates



Model	Maximum Gate Weight	Maximum Gate Length	Mount Options ¹	Class of Operation ²	Voltage	HP	Power Outlets	Maximum Cycles / Day	Loop Ports ⁴	Adjustable Clutch ⁵
6050	400 Lbs 181 KG	10 Ft 3.05 m	Pad / Post	I	115 VAC	1/2 ³	N/A	100	2	Yes
6100	500 Lbs 226 KG	14 Ft 4.26 m	Pad / Post	I, II	115 VAC	1/2	N/A	Continuous	2	Yes

1. Select pad or post mount hardware kit when ordering.
2. I = Residential; II = Commercial.
3. This is an intermittent duty cycle motor.
4. Plug-in loop detector ports; open and reverse. DoorKing plug-in loop detectors only.
5. Clutch is not applicable as an entrapment protection device.

6050 / 6100 Swing Gate Operators

Automatic Magnetic Limits

Step 1: Choose an Operator or Operator Set

6050-380 Primary	3326.00
6050-381 Secondary	2922.00
<i>Secondary operator includes 30 feet (9.1 m) of interconnection cable.</i>	

6100-380 Primary	3648.00
6100-381 Secondary	2934.00
<i>Secondary operator includes 40 feet (12.2 m) of interconnection cable.</i>	

Step 2: Choose a Mounting Kit (Includes Arms)

2600-671 Pad Mount Kit	720.00
2600-674 Post Mount Kit	592.00

Step 3: Choose Entrapment Protection (required) Devices

Use Type B1 (non-contact) and/or Type B2 (contact) entrapment protection devices to protect all areas where the risk of entrapment exist - see pages 46 – 47.

Operator will not run without entrapment protection device(s) connected to the controller board. See installation manual for more information.

Loops and Loop Detectors

See page 48 for a complete list of all loop detectors, prefabricated loops and loop accessories available.

Surge Suppression

1879-080 High Voltage (120 VAC)	204.00
---------------------------------------	--------

Accessories

8060-082 RF Kit (Receiver + MicroPlus TX (1)	254.00
2600-664 Post Mount Base Plate ¹	480.00
1601-154 Heater Kit 120 VAC ²	630.00

1. Use to mount 6050 and 6100 operators onto an existing concrete pad.

2. Heater turns on when temperature falls below 40°F (4.4°C).

Backup Power Inverters

1000-083 1000 Watt, Pure Sine Wave	2872.00
1000-045 Inverter Post Mount Kit.....	560.00
<i>See page 50 for more information.</i>	

Bi-Parting (Dual) Gate Interconnection Cable

2600-755 30-Ft. (9.1 m)	322.00
2600-756 40-Ft. (12.2 m)	384.00
2600-757 50-Ft. (15.2 m)	474.00
2600-754 500-Ft. (152.4 m).....	4806.00

Flange Bearing Hinge

1200-009 3000 Lb. (1360 kg) Weight Capacity	198.00
<i>Includes mounting bracket and hardware, two required per gate (top, bottom), designed for use with 2" (50.8 mm) gate frame.</i>	

Sealed Bearing Hinge

1200-019 2000 Lb. (907 kg) Weight Capacity	198.00
1200-039 3000 Lb. (1360 kg) Weight Capacity	236.00
<i>Includes mounting bracket and hardware, two required per gate (top, bottom), designed for use with round or square gate frames.</i>	

Uphill Arm Pivot Assembly

6500-490	312.00
<i>Use with 1203-084 Torsion Rod Assembly.</i>	

Torsion Rod Assembly

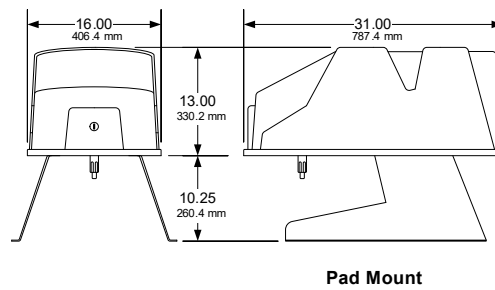
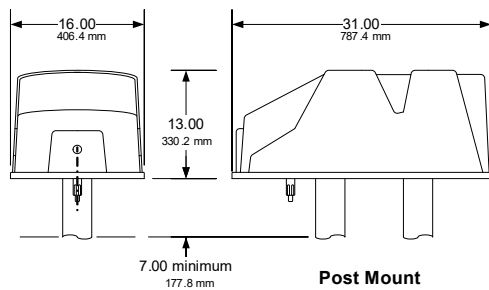
1203-084	454.00
2600-299 Additional Torsion Rods	160.00
<i>Counter-balances uphill swing gates, includes top bracket, bottom bracket and one (1) torsion rod. Up to five (5) additional torsion rods can be added.</i>	

6300 Swing Gate Operators

Automatic Magnetic Limits

6300

- Self-Adjusting Magnetic Limits
- Type A inherent reverse system
- Plug-in Loop Detector Ports
- Gate Tracker Data Output
- Built-in power and reset switches
- Tamper protect feature
- Polypropylene cover
- Galvanized steel frame
- Pad or Post mounted
- Opens gate 90° in approximately 16 sec.
- Magnetic lock output
- Overlap feature for bi-parting gates



Model	Maximum Gate Weight	Maximum Gate Length	Mount Options ¹	Class of Operation ²	Voltage ³	HP	Power Outlets	Maximum Cycles / Day	Loop Ports ⁴	Adjustable Clutch ⁵
6300	700 Lbs 317 KG	18 Ft 5.48 m	Pad / Post	I, II, III, IV	115 208 230 460 575 VAC	1/2	2	Continuous	2	Yes
6300	800 Lbs 362 KG	22 Ft 6.70 m	Pad / Post	I, II, III, IV	115 208 230 460 575 VAC	1	2	Continuous	2	Yes

1. Select pad or post mount hardware kit when ordering.
2. I = Residential; II = Commercial; III = Limited Access; IV = Restricted Access
3. High voltage kit (P/N 2600-266) required for 208 Volt and higher.
4. Plug-in loop detector ports; open and reverse. DoorKing plug-in loop detectors only.
5. Clutch is not applicable as an entrapment protection device.

6300 Swing Gate Operators

Automatic Magnetic Limits

Step 1: Choose an Operator or Operator Set

6300-380 Primary ½ HP	4076.00
6300-381 Secondary ½ HP	3804.00

6300-384 Primary 1 HP	4906.00
6300-385 Secondary 1 HP	4614.00

Secondary operators includes 50 feet (15.2 m) of interconnection cable.

High Voltage Kit

2600-266.....	834.00
---------------	--------

Allows the operator to be powered from 208, 230, 460 or 575 VAC source voltage. In dual gate applications, only one (1) kit is required.

Step 2: Choose a Mounting Kit (Includes Arms)

2600-264 Pad Mount Kit	928.00
2600-263 Post Mount Kit	1140.00

Step 3: Choose Entrapment Protection (required) Devices

Use Type B1 (non-contact) and/or Type B2 (contact) entrapment protection devices to protect all areas where the risk of entrapment exist - see pages 46 – 47.

Operator will not run without entrapment protection device(s) connected to the controller board. See installation manual for more information.

Loops and Loop Detectors

See page 48 for a complete list of all loop detectors, prefabricated loops and loop accessories available.

Surge Suppression

1879-080 High Voltage (120 VAC).....	204.00
--------------------------------------	--------

Accessories

8060-082 RF Kit (Receiver + MicroPlus TX (1)	254.00
1601-154 Heater Kit 120 VAC ¹	630.00
1601-197 Heater Kit 208 / 230 VAC ¹	1316.00
1601-198 Heater Kit 460 VAC ¹	1316.00

1. Heater turns on when temperature falls below 40°F (4.4°C).

Backup Power Inverters

1000-083 1000 Watt, Pure Sine Wave	2872.00
1000-045 Inverter Post Mount Kit.....	560.00

See page 50 for more information.

Bi-Parting (Dual) Gate Interconnection Cable

2600-755 30-Ft. (9.1 m)	322.00
2600-756 40-Ft. (12.2 m)	384.00
2600-757 50-Ft. (15.2 m)	474.00
2600-754 500-Ft. (152.4 m).....	4806.00

Flange Bearing Hinge

1200-009 3000 Lb. (1360 kg) Weight Capacity	198.00
---	--------

Includes mounting bracket and hardware, two required per gate (top, bottom), designed for use with 2" (50.8 mm) gate frame.

Sealed Bearing Hinge

1200-019 2000 Lb. (907 kg) Weight Capacity	198.00
1200-039 3000 Lb. (1360 kg) Weight Capacity	236.00

Includes mounting bracket and hardware, two required per gate (top, bottom), designed for use with round or square gate frames.

Uphill Arm Pivot Assembly

6500-490	312.00
----------------	--------

Use with 1203-084 Torsion Rod Assembly.

Torsion Rod Assembly

1203-084	454.00
2600-299 Additional Torsion Rods	160.00

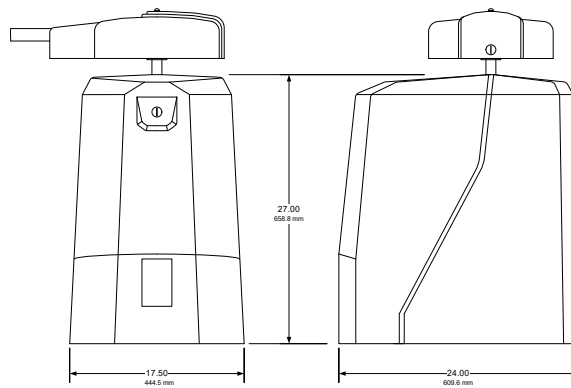
Counter-balances uphill swing gates, includes top bracket, bottom bracket and one (1) torsion rod. Up to five (5) additional torsion rods can be added.

6500 Swing Gate Operators

Adjustable Limit Swing Gate Operators

6500

- Adjustable Magnetic Limits
- Type A inherent reverse system
- Plug-in Loop Detector Ports
- Gate Tracker Data Output
- Built-in power and reset switches
- Polypropylene cover
- Galvanized steel frame
- Opens gate 90° in approximately 16 sec.
- Magnetic lock output
- Overlap feature for bi-parting gates



Model	Maximum Gate Weight	Maximum Gate Length	Mount	Class of Operation ¹	Voltage ²	HP	Power Outlets	Maximum Cycles / Day	Loop Ports ³	Adjustable Clutch
6500	700 Lbs 317 KG	18 Ft 5.48 m	Pad	I, II, III, IV	115 208 230 460 575 VAC	1/2	2	Continuous	2	No
6500	800 Lbs 362 KG	22 Ft 6.70 m	Pad	I, II, III, IV	115 208 230 460 575 VAC	1	2	Continuous	2	No

1. I = Residential; II = Commercial; III = Limited Access; IV = Restricted Access
2. High voltage kit (P/N 2600-266) required for 208 Volt and higher.
3. Plug-in loop detector ports; open and reverse. DoorKing plug-in loop detectors only.

6500 Swing Gate Operators

Adjustable Limit Swing Gate Operators

Step 1: Choose an Operator or Operator Set

6500-380 Primary ½ HP	5496.00
6500-381 Secondary ½ HP	5102.00
<i>Secondary operator includes 50 feet (15.2 m) of interconnection cable.</i>	

6500-384 Primary 1 HP	6152.00
6500-385 Secondary 1 HP	5760.00
<i>Secondary operator includes 50 feet (15.2 m) of interconnection cable.</i>	

High Voltage Kit

2600-266.....	834.00
<i>Allows the operator to be powered from 208, 230, 460 or 575 VAC source voltage. In dual gate applications, only one (1) kit is required.</i>	

Step 2: Choose Entrapment Protection (required) Devices

Use Type B1 (non-contact) and/or Type B2 (contact) entrapment protection devices to protect all areas where the risk of entrapment exist - see pages 46 – 47.

Operator will not run without entrapment protection device(s) connected to the controller board. See installation manual for more information.

Loops and Loop Detectors

See page 48 for a complete list of all loop detectors, prefabricated loops and loop accessories available.

Surge Suppression

1879-080 High Voltage (120 VAC).....	204.00
--------------------------------------	--------

Accessories

8060-082 RF Kit (Receiver + MicroPlus TX (1)	254.00
6500-480 Heater Kit 120 VAC ¹	720.00
<i>1. Heater turns on when temperature falls below 40°F (4.4°C). This heater kit cannot be used if the operator is powered from the 2600-266 high voltage kit.</i>	

Backup Power Inverters

1000-083 1000 Watt, Pure Sine Wave	2872.00
1000-045 Inverter Post Mount Kit.....	560.00
<i>See page 50 for more information.</i>	

Bi-Parting (Dual) Gate Interconnection Cable

2600-755 30-Ft. (9.1 m)	322.00
2600-756 40-Ft. (12.2 m)	384.00
2600-757 50-Ft. (15.2 m)	474.00
2600-754 500-Ft. (152.4 m).....	4806.00

Flange Bearing Hinge

1200-009 3000 Lb. (1360 kg) Weight Capacity	198.00
<i>Includes mounting bracket and hardware, two required per gate (top, bottom), designed for use with 2" (50.8 mm) gate frame.</i>	

Sealed Bearing Hinge

1200-019 2000 Lb. (907 kg) Weight Capacity	198.00
1200-039 3000 Lb. (1360 kg) Weight Capacity	236.00
<i>Includes mounting bracket and hardware, two required per gate (top, bottom), designed for use with round or square gate frames.</i>	

Uphill Arm Pivot Assembly

6500-490	312.00
<i>Use with 1203-084 Torsion Rod Assembly.</i>	

Torsion Rod Assembly

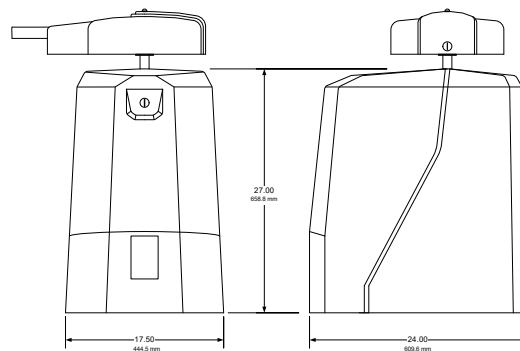
1203-084	454.00
2600-299 Additional Torsion Rods	160.00
<i>Counter-balances uphill swing gates, includes top bracket, bottom bracket and one (1) torsion rod. Up to five (5) additional torsion rods can be added.</i>	

6524 DC Swing Gate Operator

Adjustable Limit Swing Gate Operator

6524

- Input 115/230 VAC or 24 VDC (Solar)
- Adjustable Magnetic Limits
- Plug-in Loop Detector Ports
- Gate Tracker Data Output
- Built-in power and reset switches
- Polypropylene cover
- Built-in Battery Backup
- Galvanized steel frame
- Opens gate 90° in approximately 16 sec.
- Magnetic lock output
- Overlap feature for bi-parting gates



Model	Maximum Gate Weight	Maximum Gate Length	Mount	Class of Operation ¹	Voltage	HP	Power Outlets	Maximum Cycles / Day	Loop Ports ²	Adjustable Clutch
6524	800 Lbs 362 KG	16 Ft 4.88 m	Pad	I, II, III, IV	115/230 VAC	1/2	2	Continuous ³	2	No
6524 ⁵	800 Lbs 362 KG	16 Ft 4.88 m	Pad	I, II, III, IV	24 VDC (Solar)	1/2	0	Up to 150 ⁴	2	No

1. I = Residential; II = Commercial; III = Limited Access; IV = Restricted Access
2. Plug-in loop detector ports; open and reverse. DoorKing plug-in loop detectors only.
3. Continuous operation is when AC power is present. Operation on battery backup (7.5 Ah batteries) is limited to approximately 40 cycles.
4. Up to 150 cycles with 18 Ah batteries. Actual number of cycles will vary depending on usage, accessories connected, gate weight, operating condition of gate, temperature and charge state of the batteries. Charge state of batteries is affected by geographical location of the product when using solar to recharge the batteries.
5. Solar powered operators will not support bi-parting (dual) gate operation.

6524 DC Swing Gate Operators

Adjustable Limit Swing Gate Operator

Step 1: Choose an Operator

6524-380 115/230 VAC 5064.00
*Includes two 7.5 Ah batteries for limited backup operation.
 Includes 50 feet (15 m) of RS 485 interconnection cable for bi-parting (dual) gate operation.*

6524-381 24 VDC (Solar) 4928.00
*24 VDC solar input power only (supply your own batteries and solar charging system or use DKS solar kit).
 Solar powered operators will not support bi-parting (dual) gate operation.*

Step 2: Choose Entrapment Protection (required) Devices

Use Type B1 (non-contact) and/or Type B2 (contact) entrapment protection devices to protect all areas where the risk of entrapment exist - see pages 46 – 47.

Operator will not run without entrapment protection device(s) connected to the controller board. See installation manual for more information.

Battery / Solar Options

1801-004 12-Volt, 18 Ah Battery¹ 282.00
 2000-077 24-Volt, 10 Watt Solar Panel 474.00
 2000-070 Solar Kit² 1108.00
 1. Two required for 24 Volt operation.
 2. Kit includes two (2) 18 Ah batteries, 10 Watt solar panel and bracket.

Loops and Loop Detectors

See page 48 for a complete list of all loop detectors, prefabricated loops and loop accessories available.

Surge Suppression

1879-080 High Voltage (120 VAC) 204.00

Accessories

8060-082 RF Kit (Receiver + MicroPlus TX (1) 254.00
 6500-480 Heater Kit 120 VAC¹ 720.00
 1. Heater turns on when temperature falls below 40°F (4.4°C). This heater kit cannot be used if the operator is powered from the 2600-266 high voltage kit.

Backup Power Inverters

1000-083 1000 Watt, Pure Sine Wave 2872.00
 1000-045 Inverter Post Mount Kit 560.00
See page 50 for more information.

Bi-Parting (Dual) Gate Interconnection Cable RS 485

9024-136 50-Ft. (15 m) 54.68

Flange Bearing Hinge

1200-009 3000 Lb. (1360 kg) Weight Capacity 198.00
Includes mounting bracket and hardware, two required per gate (top, bottom), designed for use with 2" (50.8 mm) gate frame.

Sealed Bearing Hinge

1200-019 2000 Lb. (907 kg) Weight Capacity 198.00
 1200-039 3000 Lb. (1360 kg) Weight Capacity 236.00
Includes mounting bracket and hardware, two required per gate (top, bottom), designed for use with round or square gate frames.

Uphill Arm Pivot Assembly

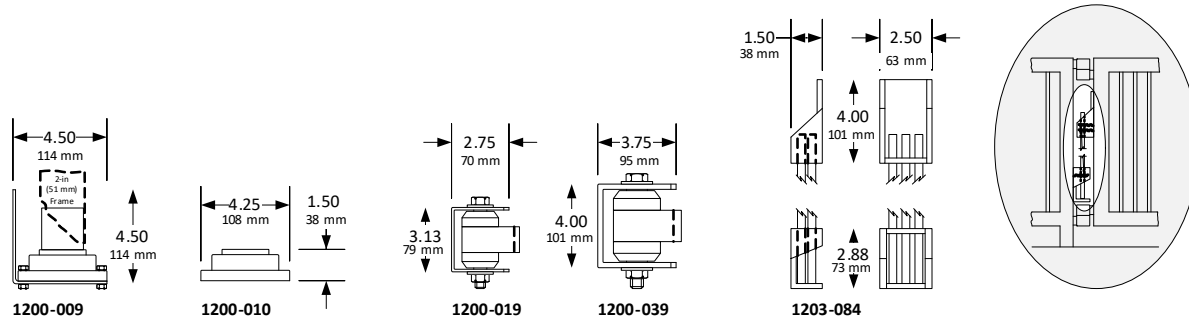
6500-490 312.00
Use with 1203-084 Torsion Rod Assembly.

Torsion Rod Assembly

1203-084 454.00
 2600-299 Additional Torsion Rods 160.00
Counter-balances uphill swing gates, includes top bracket, bottom bracket and one (1) torsion rod. Up to five (5) additional torsion rods can be added.

Swing Gate Accessories

Hinges, Torsion Rod Counter-Balance



Flange Bearing Hinge

1200-009 3000 Lb. (1360 Kg) weight capacity198.00
 1200-010 Replacement bearing.....124.00

- Designed for use with 2 inch (51 mm) gate frame.
- Includes mounting bracket and hardware.
- Zert grease fitting.
- Two required (top, bottom) per gate.

Sealed Bearing Hinge

1200-019 2000 Lb. (907 Kg) weight capacity198.00
 1200-039 3000 Lb. (1360 Kg) weight capacity236.00

- Designed for use with round or square gate frame.
- Includes mounting bracket and hardware.
- Two required (top, bottom) per gate.

Torsion Rod Counter-Balance Assembly

1203-084¹ Torsion Rod Assembly454.00
 2600-299² Torsion Rods160.00

1. Includes one (1) 2600-299 torsion rod.
2. Up to five (5) additional rods can be added to the 1203-084 assembly.

Swing Gate Operator Parts & Accessories

Miscellaneous Parts & Accessories

Smart Gate Controller

1800-500..... 158.00

Allows control of the gate operator from your smartphone. Requires a WiFi connection and the Smart Connect App (available from the App Store and Google Play). Compatible with Alexa, Google Home and Siri. Maximum 20 users.

Circuit Boards

4100-018708.00

Used in model 6524

4302-018782.00

Used in models 6006, 6004 and 6400

4405-018830.00

Used in model 6500, 6550

4502-018830.00

Used in models 6050, 6100 and 6300

Base Plate, Mounting Pipes, Pivot Arm

2600-664 Concrete Base Plate 480.00

Use to mount the 6050 or 6100 post mount operators onto an existing concrete pad

6500-490 Uphill Arm Pivot Assembly 312.00

Use with 6050, 6100, 6300 and 6500 operators when the gate opens on an uphill or downhill slope. Should be used with 1203-084 Torsion Rod Assembly.

6550-490 Uphill Arm Pivot Assembly 312.00

Use with 6550 operator when the gate opens on an uphill or downhill slope. Should be used with 1203-084 Torsion Rod Assembly.

Bi-Parting Connection Cable

2600-754 Primary / Secondary Cable 4806.00

500-ft (152.4 m) roll

Batteries

1801-009 Battery 120.00

12 Volt, 3.5 Amp Hour

1801-004 Battery 282.00

12 Volt, 18 Amp Hour

1801-005 Battery 362.00

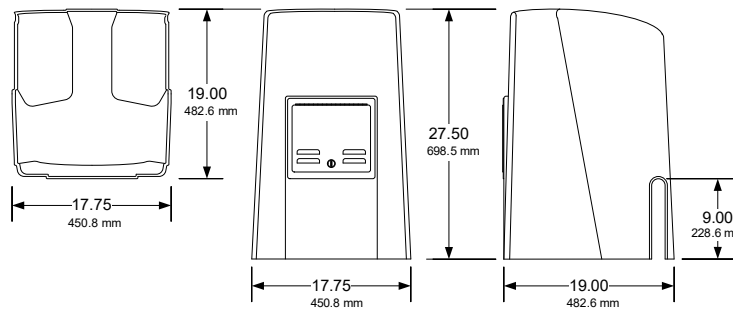
12 Volt, 35 Amp Hour

9000 Slide Gate Operators

Adjustable Limit Slide Gate Operator

9000

- Adjustable Limits
- Plug-in Loop Detector Ports
- Built-in power and reset switches
- Two 115 VAC convenience outlets
- Selectable stop/ reverse function
- 30:1 Gear Reducer Drive Train
- Steel frame
- Polypropylene cover
- 20-Feet (6 m) #40 Nickel Plated Chain
- Gate tracker data output



Model	Maximum Gate Weight	Maximum Gate Length	Mount	Class of Operation ¹	Voltage ²	HP	Power Outlets	Maximum Cycles / Day	Loop Ports ³	Adjustable Clutch
9000	1000 Lbs 453 KG	35 Ft 10.7 m	Pad or Post ⁴	I, II	115 208 230 460 575 VAC	1/2	2	Continuous	2	No
9000	1500 Lbs 680 KG	35 Ft 10.7 m	Pad or Post ³	I, II, III, IV	115 208 230 460 575 VAC	1	2	Continuous	2	No

1. I = Residential; II = Commercial; III = Limited Access; IV = Restricted Access.
2. High voltage kit (P/N 2600-266) required for 208 Volt and higher.
3. Plug-in loop detector ports; open and reverse. DoorKing plug-in loop detectors only.
3. Requires post mounting kit.

9000 Slide Gate Operators

Adjustable Limit Slide Gate Operator

Choose an Operator

9000-380 ½ HP Primary 115 VAC	4718.00
9000-381 ½ HP Secondary 115 VAC	3934.00
9000-385 1 HP Primary 115 VAC	5552.00
9000-386 1 HP Secondary 115 VAC	4614.00

High Voltage

2600-266 High Voltage Kit	834.00
---------------------------------	--------

Allows the operator to be powered from 208, 230, 460 or 575 VAC source voltage.

Choose Entrapment Protection (required) Devices

Use Type B1 (non-contact) and/or Type B2 (contact) entrapment protection devices to protect all areas where the risk of entrapment exist - see pages 46 – 47.

Operator will not run without entrapment protection devices connected to the controller board. Minimum of two (one in each direction of travel) is required. See installation manual for more information.

Loops and Loop Detectors

See page 48 for a complete list of all loop detectors, prefabricated loops and loop accessories available.

Surge Suppression

1879-080 High Voltage (120 VAC)	204.00
---------------------------------------	--------

Accessories

8060-082 RF Kit (Receiver + MicroPlus TX (1)	254.00
9000-015 Post Mount Kit ¹	1510.00
9000-014 Post Mount Base Plate	950.00
2600-961 Chain Link Fence Gate Bracket	146.00
1601-154 Heater Kit 120 VAC ²	630.00
1601-197 Heater Kit 208/230 VAC ²	1316.00
1601-198 Heater Kit 480 VAC ²	1316.00

1. Includes base plate, mounting posts and hardware.

2. Heater turns on when temperature falls below 40°F (4.4°C).

Chain

2600-442 #40 Chain, Nickel Plated, 20-Ft (6 m)	204.00
2600-818 Chain Idler Assembly ¹	134.00

1. Use with rear-mounted operators.

Backup Power Inverters

1000-083 1000 Watt, Pure Sine Wave	2872.00
1000-045 Inverter Post Mount Kit	560.00

See page 50 for more information.

Bi-Parting (Dual) Gate Interconnection Cable

2600-755 30-Ft. (9.1 m)	322.00
2600-756 40-Ft. (12.2 m)	384.00
2600-757 50-Ft. (15.2 m)	474.00
2600-754 500-Ft. (152.4 m)	4806.00

Guarded Guide Rollers & Bracket Assembly

1204-120 Single 3-in (76.2 mm)	110.00
1204-122 Dual 3-in (76.2 mm)	212.00
1204-121 Single 6-in (152.4 mm)	134.00
1204-123 Dual 6-in (152.4 mm)	256.00
1204-005 Replacement Roller 3-in (76.2 mm)	23.50

See page 43 for more information.

V-Wheels - Max Gate Weight

1201-102 UHMW 4-in (101.6 mm) 500 lb. (227 kg)	110.00
1201-105 UHMW 4-in (101.6 mm) 750 lb. (340 kg)	140.00
1201-117 Steel 4-in (101.6 mm) 1500 lb. (680 kg)	230.00

See page 42 for more information.

V-Wheels Tandem – Max Gate Weight

1201-012 UHMW 4-in (101.6 mm) 1500 lb. (680 kg) ...	450.00
1201-010 Steel 4-in (101.6 mm) 3000 lb. (1360 kg)	658.00
1201-210 Steel 6-in (152.4 mm) 5000 lb. (2268 kg)	772.00

See page 42 for more information.

End Catch

1204-004	83.56
----------------	-------

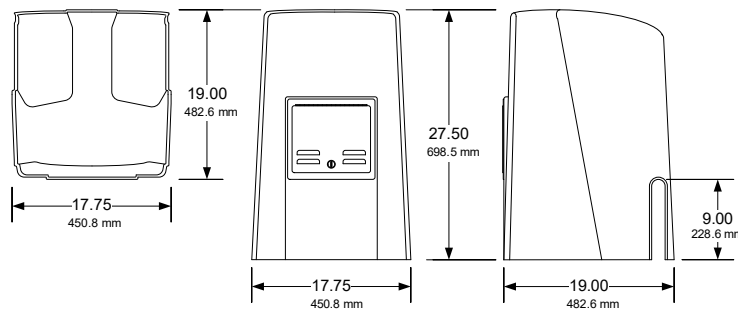
Designed for gates with 2-inch (50.8 mm) frame.

9024 DC Slide Gate Operator

Adjustable Limit Slide Gate Operator

9024

- Input 115/230 VAC or 24 VDC (Solar)
- Adjustable Limits
- Plug-in Loop Detector Ports
- Gate Tracker Data Output
- Built-in power and reset switches
- 20-Foot (6 m) #40 Nickel Plated Chain
- Polypropylene cover
- 30:1 Gear Reducer Drive Train
- Built-in Battery Backup
- Galvanized steel frame
- Magnetic lock output
- Overlap feature for bi-parting gates



Model	Maximum Gate Weight	Maximum Gate Length	Mount	Class of Operation ¹	Voltage	HP	Power Outlets	Maximum Cycles / Day	Loop Ports ²	Adjustable Clutch
9024	1000 Lbs 453 KG	40 Ft 12.2 m	Pad or Post ⁵	I, II, III, IV	115/230 VAC	1/2	2	Continuous ³	2	No
9024 ⁶	1000 Lbs 453 KG	40 Ft 12.2 m	Pad or Post ⁵	I, II, III, IV	24 VDC (Solar)	1/2	0	Up to 150 ⁴	2	No

1. I = Residential; II = Commercial; III = Limited Access; IV = Restricted Access
2. Plug-in loop detector ports; open and reverse. DoorKing plug-in loop detectors only.
3. Continuous operation is when AC power is present. Operation on battery backup (7.5 Ah batteries) is limited to approximately 40 cycles.
4. Up to 150 cycles with 18 Ah batteries. Actual number of cycles will vary depending on usage, accessories connected, gate weight, operating condition of gate, temperature and charge state of the batteries. Charge state of batteries is affected by geographical location of the product when using solar to recharge the batteries.
5. Requires post mounting kit.
6. Solar powered operators will not support bi-parting (dual) gate operation.

9024 DC Slide Gate Operator

Adjustable Limit Slide Gate Operator

Choose an Operator

9024-380 115/230 VAC 4928.00

Includes two 7.5 Ah batteries for limited backup operation.

Includes 50 feet (15 m) of RS 485 interconnection cable for bi-parting (dual) gate operation.

9024-381 24 VDC (Solar) 4830.00

24 VDC solar input power only (supply your own batteries and solar charging system or use DKS solar kit).

Solar powered operators will not support bi-parting (dual) gate operation.

Choose Entrapment Protection (required) Devices

Use Type B1 (non-contact) and/or Type B2 (contact) entrapment protection devices to protect all areas where the risk of entrapment exist - see pages 46 – 47.

Operator will not run without entrapment protection devices connected to the controller board. Minimum of two (one in each direction of travel) is required. See installation manual for more information.

Battery / Solar Options

1801-004 12-Volt, 18 Ah Battery¹ 282.00

2000-077 24-Volt, 10 Watt Solar Panel 474.00

2000-070 Solar Kit² 1108.00

1. Two required for 24 Volt operation.

2. Kit includes two (2) 18 Ah batteries, 10 Watt solar panel and bracket.

Loops and Loop Detectors

See page 48 for a complete list of all loop detectors, prefabricated loops and loop accessories available.

Surge Suppression

1879-080 High Voltage (120 VAC) 204.00

Accessories

8060-082 RF Kit (Receiver + MicroPlus TX (1) 254.00

9000-015 Post Mount Kit¹ 1510.00

9000-014 Post Mount Base Plate 950.00

2600-961 Chain Link Fence Gate Bracket 146.00

1601-154 Heater Kit 120 VAC² 630.00

1601-197 Heater Kit 208/230 VAC² 1316.00

1. Includes base plate, mounting posts and hardware.

2. Heater turns on when temperature falls below 40°F (4.4°C).

Backup Power Inverters

1000-083 1000 Watt, Pure Sine Wave 2872.00

1000-045 Inverter Post Mount Kit 560.00

See page 50 for more information.

Bi-Parting (Dual) Gate Interconnection Cable RS 485

9024-136 50-Ft. (15 m) 54.68

Guarded Guide Rollers & Bracket Assembly

1204-120 Single 3-in (76.2 mm) 110.00

1204-122 Dual 3-in (76.2 mm) 212.00

1204-121 Single 6-in (152.4 mm) 134.00

1204-123 Dual 6-in (152.4 mm) 256.00

1204-005 Replacement Roller 3-in (76.2 mm) 23.50

See page 43 for more information.

V-Wheels - Max Gate Weight

1201-102 UHMW 4-in (101.6 mm) 500 lb. (227 kg) 110.00

1201-105 UHMW 4-in (101.6 mm) 750 lb. (340 kg) 140.00

1201-117 Steel 4-in (101.6 mm) 1500 lb. (680 kg) 230.00

See page 42 for more information.

V-Wheels Tandem – Max Gate Weight

1201-012 UHMW 4-in (101.6 mm) 1500 lb. (680 kg) ... 450.00

1201-010 Steel 4-in (101.6 mm) 3000 lb. (1360 kg) 658.00

1201-210 Steel 6-in (152.4 mm) 5000 lb. (2268 kg) 772.00

See page 42 for more information.

Chain

2600-442 #40 Chain, Nickel Plated, 20-Ft (6 m) 204.00

2600-818 Chain Idler Assembly¹ 134.00

1. Use with rear-mounted operators.

End Catch

1204-004 83.56

Designed for gates with 2-inch (50.8 mm) frame.

9050 / 9100 Slide Gate Operators

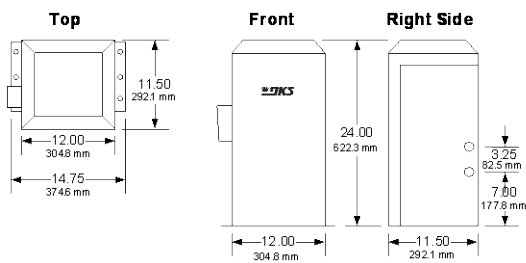
Automatic Magnetic Limits

9050 / 9100

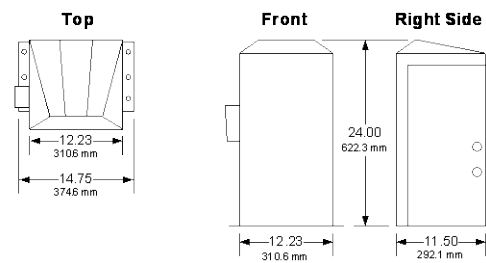
- Self-Adjusting Magnetic Limits
- Built-in clutch
- Plug-in Loop Detector Ports
- Built-in power and reset switches
- Two 115 VAC convenience outlets
- Fail-Safe Configuration

9100

- G90 Galvanized steel frame
- Steel or Polypropylene (Poly) cover
- 20-Foot (6 m) #40 Nickel Plated Chain
- Gate tracker data output (9100 only)
- Selectable stop/ reverse function (9100 only)
- Partial open / anti-tailgate feature (9100 only)



Metal Cover



Polypropylene Cover

Model	Maximum Gate Weight	Maximum Gate Length	Mount	Class of Operation ¹	Voltage	HP	Power Outlets	Maximum Cycles / Day	Loop Ports ²	Adjustable Clutch ³
9050	500 Lbs 227 KG	16 Ft 4.88 m	Pad or Post ⁴	I	115 VAC	1/2 ⁵	2	100	2	Yes
9100	1000 Lbs 453 KG	30 Ft 9.14 m	Pad or Post ⁴	I, II, III, IV	115 VAC	1/2	2	Continuous	2	Yes

1. I = Residential; II = Commercial; III = Limited Access; IV = Restricted Access
2. Plug-in loop detector ports; open and reverse. DoorKing plug-in loop detectors only.
3. Clutch is not applicable as an entrapment protection device.
4. Requires post mount steel base plate.
5. This is an intermittent duty cycle motor.

9050 / 9100 Slide Gate Operators

Automatic Magnetic Limits

Choose an Operator

9050-380 ½ HP Metal Cover	2946.00
9050-385 ½ HP Poly Cover ¹	2806.00
9100-380 ½ HP Metal Cover	3762.00
9100-385 ½ HP Poly Cover ¹	3762.00

1. Includes 8060-082 RF Kit.

Choose Entrapment Protection (required) Devices

Use Type B1 (non-contact) and/or Type B2 (contact) entrapment protection devices to protect all areas where the risk of entrapment exist - see pages 46 – 47.

Operator will not run without entrapment protection devices connected to the controller board. Minimum of two (one in each direction of travel) is required. See installation manual for more information.

Loops and Loop Detectors

See page 48 for a complete list of all loop detectors, prefabricated loops and loop accessories available.

Surge Suppression

1879-080 High Voltage (120 VAC).....	204.00
--------------------------------------	--------

Accessories

8060-082 RF Kit (Receiver + MicroPlus TX (1)	254.00
2600-418 Steel Base Plate for 9050/9100.....	118.00
2600-970 Base Plate Stop Bracket ¹	78.36
2600-865 Fail-Secure Lock Kit ²	50.16
2600-961 Chain Link Fence Gate Bracket.....	146.00
1601-154 Heater Kit 120 VAC ³	630.00
1601-197 Heater Kit 208/230 VAC ³	1316.00
1601-198 Heater Kit 480 VAC ³	1316.00

1. Use with 2600-418 and 2600-495 base plates.
2. Operators come standard in a Fail-Safe configuration.
3. Heater turns on when temperature falls below 40°F (4.4°C).

Chain

2600-442 #40 Chain, Nickel Plated, 20-Ft (6 m).....	204.00
2600-271 Chain Stop #40, #41 Chain	39.20
2600-818 Chain Idler Assembly ¹	134.00

1. Use with rear-mounted operators.

Backup Power Inverters

1000-083 1000 Watt, Pure Sine Wave	2872.00
1000-045 Inverter Post Mount Kit	560.00

See page 50 for more information.

Bi-Parting (Dual) Gate Interconnection Cable

2600-755 30-Ft. (9.1 m)	322.00
2600-756 40-Ft. (12.2 m)	384.00
2600-757 50-Ft. (15.2 m)	474.00
2600-754 500-Ft. (152.4 m)	4806.00

Guarded Guide Rollers & Bracket Assembly

1204-120 Single 3-in (76.2 mm).....	110.00
1204-122 Dual 3-in (76.2 mm)	212.00
1204-121 Single 6-in (152.4 mm).....	134.00
1204-123 Dual 6-in (152.4 mm)	256.00
1204-005 Replacement Roller 3-in (76.2 mm)	23.50

See page 43 for more information.

V-Wheels - Max Gate Weight

1201-102 UHMW 4-in (101.6 mm) 500 lb. (227 kg)	110.00
1201-105 UHMW 4-in (101.6 mm) 750 lb. (340 kg)	140.00
1201-117 Steel 4-in (101.6 mm) 1500 lb. (680 kg)	230.00

See page 42 for more information.

V-Wheels Tandem – Max Gate Weight

1201-012 UHMW 4-in (101.6 mm) 1500 lb. (680 kg) ...	450.00
1201-010 Steel 4-in (101.6 mm) 3000 lb. (1360 kg)	658.00
1201-210 Steel 6-in (152.4 mm) 5000 lb. (2268 kg)	772.00

See page 42 for more information.

End Catch

1204-004.....	83.56
---------------	-------

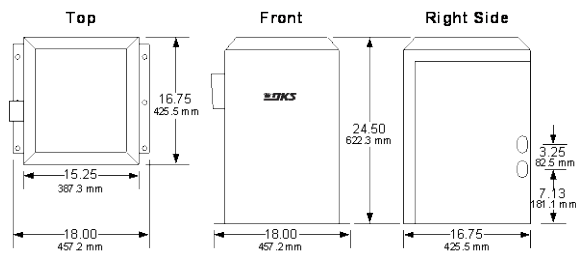
Designed for gates with 2-inch (50.8 mm) frame.

9150 Slide Gate Operators

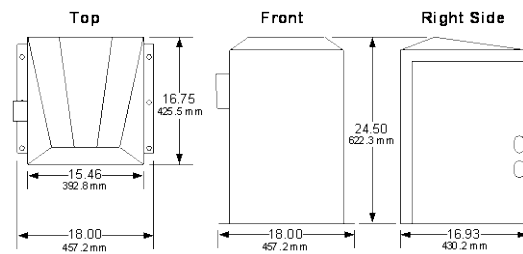
Automatic Magnetic Limits

9150

- Self-Adjusting Magnetic Limits
- Built-in clutch
- Plug-in Loop Detector Ports
- Built-in power and reset switches
- Two 115 VAC convenience outlets
- Fail-Safe Configuration
- G90 Galvanized steel frame
- Steel or Polypropylene (Poly) cover
- 20-Foot (6 m) #40 Nickel Plated Chain
- Gate tracker data output
- Selectable stop/ reverse function
- Partial open / anti-tailgate feature



Metal Cover



Polypropylene Cover

Model	Maximum Gate Weight	Maximum Gate Length	Mount	Class of Operation ¹	Voltage ²	HP	Power Outlets	Maximum Cycles / Day	Loop Ports ³	Adjustable Clutch ⁴
9150	1000 Lbs 454 KG	30 Ft 9.14 m	Pad or Post ⁵	I, II, III, IV	115 208 230 460 575 VAC	1/2	2	Continuous	2	Yes
9150	1500 Lbs 680 KG	45 Ft 13.7 m	Pad or Post ⁵	I, II, III, IV	115 208 230 460 575 VAC	1	2	Continuous	2	Yes

1. I = Residential; II = Commercial; III = Limited Access; IV = Restricted Access.
2. High voltage kit (P/N 2600-266) required for 208 Volt and higher.
3. Plug-in loop detector ports; open and reverse. DoorKing plug-in loop detectors only.
4. Clutch is not applicable as an entrapment protection device.
5. Requires post mount steel base plate.

9150 Slide Gate Operators

Automatic Magnetic Limits

Choose an Operator

9150-384 ½ HP Metal Cover	4026.00
9150-386 ½ HP Poly Cover ¹	4026.00
9150-380 1 HP Metal Cover	4858.00
9150-385 1 HP Poly Cover ¹	4858.00

1. Includes 8060-082 RF Kit.

High Voltage

2600-266 High Voltage Kit	834.00
---------------------------------	--------

Allows the operator to be powered from 208, 230, 460 or 575 VAC source voltage.

Choose Entrapment Protection (required) Devices

Use Type B1 (non-contact) and/or Type B2 (contact) entrapment protection devices to protect all areas where the risk of entrapment exist - see pages 46 – 47.

Operator will not run without entrapment protection devices connected to the controller board. Minimum of two (one in each direction of travel) is required. See installation manual for more information.

Loops and Loop Detectors

See page 48 for a complete list of all loop detectors, prefabricated loops and loop accessories available.

Surge Suppression

1879-080 High Voltage (120 VAC)	204.00
---------------------------------------	--------

Accessories

8060-082 RF Kit (Receiver + MicroPlus TX (1)	254.00
2600-495 Steel Base Plate for 9150	220.00
2600-970 Base Plate Stop Bracket ¹	78.36
2600-865 Fail-Secure Lock Kit ²	50.16
2600-961 Chain Link Fence Gate Bracket	146.00
1601-154 Heater Kit 120 VAC ³	630.00
1601-197 Heater Kit 208/230 VAC ³	1316.00
1601-198 Heater Kit 480 VAC ³	1316.00

1. Use with 2600-418 and 2600-495 base plates.
2. Operators come standard in a Fail-Safe configuration.
3. Heater turns on when temperature falls below 40°F (4.4°C).

Backup Power Inverters

1000-083 1000 Watt, Pure Sine Wave	2872.00
1000-045 Inverter Post Mount Kit	560.00

See page 50 for more information.

Bi-Parting (Dual) Gate Interconnection Cable

2600-755 30-Ft. (9.1 m)	322.00
2600-756 40-Ft. (12.2 m)	384.00
2600-757 50-Ft. (15.2 m)	474.00
2600-754 500-Ft. (152.4 m)	4806.00

Guarded Guide Rollers & Bracket Assembly

1204-120 Single 3-in (76.2 mm)	110.00
1204-122 Dual 3-in (76.2 mm)	212.00
1204-121 Single 6-in (152.4 mm)	134.00
1204-123 Dual 6-in (152.4 mm)	256.00
1204-005 Replacement Roller 3-in (76.2 mm)	23.50

See page 43 for more information.

V-Wheels - Max Gate Weight

1201-102 UHMW 4-in (101.6 mm) 500 lb. (227 kg)	110.00
1201-105 UHMW 4-in (101.6 mm) 750 lb. (340 kg)	140.00
1201-117 Steel 4-in (101.6 mm) 1500 lb. (680 kg)	230.00

See page 42 for more information.

V-Wheels Tandem – Max Gate Weight

1201-012 UHMW 4-in (101.6 mm) 1500 lb. (680 kg) ...	450.00
1201-010 Steel 4-in (101.6 mm) 3000 lb. (1360 kg)	658.00
1201-210 Steel 6-in (152.4 mm) 5000 lb. (2268 kg)	772.00

See page 42 for more information.

Chain

2600-442 #40 Chain, Nickel Plated, 20-Ft (6 m)	204.00
2600-271 Chain Stop #40, #41 Chain	39.20
2600-818 Chain Idler Assembly ¹	134.00

1. Use with rear-mounted operators.

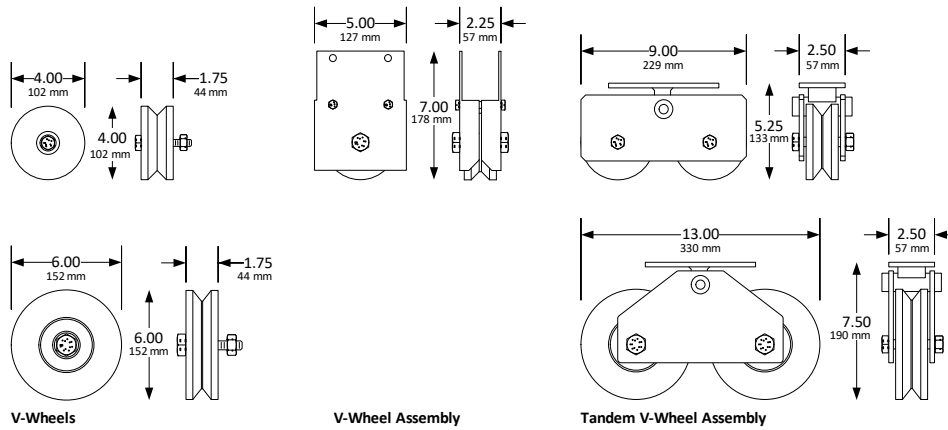
End Catch

1204-004	83.56
----------------	-------

Designed for gates with 2-inch (50.8 mm) frame.

Slide Gate Accessories

V-Wheels



4-Inch (102 mm) V-Wheels

- | | |
|---------------------------------------|--------|
| 1201-004 UHMW w/sleeve bearing..... | 56.40 |
| • 500 Lb. (226 Kg) maximum weight | |
| 1201-006 UHMW w/sealed bearing | 78.36 |
| • 750 Lb. (340 Kg) maximum weight | |
| 1201-016 Steel w/sealed bearing | 154.00 |
| • 1500 Lb. (680 Kg) maximum weight | |

4-Inch (102 mm) V-Wheel Assemblies¹

- | | |
|---------------------------------------|--------|
| 1201-102 UHMW w/sleeve bearing..... | 110.00 |
| • 500 Lb. (226 Kg) maximum weight | |
| 1201-105 UHMW w/sealed bearing | 140.00 |
| • 750 Lb. (340 Kg) maximum weight | |
| 1201-117 Steel w/sealed bearing | 230.00 |
| • 1500 Lb. (680 Kg) maximum weight | |

1. Assemblies include wheel guarding as required by industry safety standards.

4-Inch (102 mm) Tandem V-Wheel Assemblies

- | | |
|---------------------------------------|--------|
| 1201-012 UHMW w/sealed bearing | 450.00 |
| • 1500 Lb. (680 Kg) maximum weight | |
| 1201-010 Steel w/sealed bearing | 658.00 |
| • 3000 Lb. (1360 Kg) maximum weight | |

6-Inch (152 mm) V-Wheel

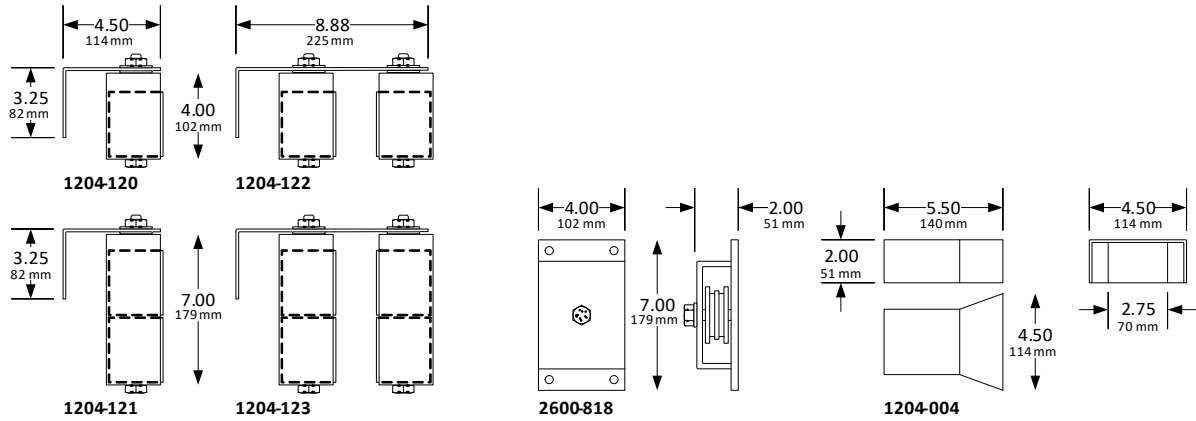
- | | |
|--------------------------------------|--------|
| 1201-000 Steel w/sealed bearing..... | 276.00 |
| • 2500 Lb. (1133 Kg) maximum weight | |

6-Inch (152 mm) Tandem V-Wheel Assembly

- | | |
|--------------------------------------|--------|
| 1201-210 Steel w/sealed bearing..... | 772.00 |
| • 5000 Lb. (2267 Kg) maximum weight | |

Slide Gate Accessories

Guide Rollers, Chain Idler, End Catch



3-Inch (76 mm) Guide Roller Assemblies¹	
1204-120 Single	110.00
1204-122 Dual	212.00
1. Assemblies include roller guarding as required by industry safety standards.	
6-Inch (152 mm) Guide Roller Assemblies¹	
1204-121 Single	134.00
1204-123 Dual	256.00
1. Assemblies include roller guarding as required by industry safety standards.	
3-Inch (76 mm) Replacement Roller	
1204-005.....	23.50

Chain Idler Assembly	
2600-818.....	134.00
<ul style="list-style-type: none"> Use this with rear-mounted slide gate operators. Works with #40 and #41 chain. 	
End Catch	
1204-004.....	83.56
<ul style="list-style-type: none"> Use with 2-inch (51 mm) gate frame. 	

Slide Gate Operator Parts & Accessories

Miscellaneous Parts & Accessories

Smart Gate Controller

1800-500158.00

Allows control of the gate operator from your smartphone. Requires a WiFi connection and the Smart Connect App (available from the App Store and Google Play). Compatible with Alexa, Google Home and Siri. Maximum 20 users.

Circuit Boards

4100-018708.00

Used in model 9024

4405-018830.00

Used in model 9000

4602-0181020.00

Used in models 9100, 9150

4702-018708.00

Used in models 9050

Chain

2600-442 #40 Chain, Nickel Plated – 20 Ft (6 m)204.00

2600-271 Chain Stop for #40 and #41 Chain.....39.20

2600-961 Chain Link Fence Gate Bracket.....146.00

Base Plates

2600-418 Steel Base Plate118.00

Use with 9050 and 9100 operators

2600-495 Steel Base Plate440.00

Use with 9150 operator

2600-970 Base Plate Stop Bracket78.36

Use with 2600-418 and 2600-495

Bi-Parting Connection Cable

2600-755 30-Ft. (9.1 m)322.00

2600-756 40-Ft. (12.2 m)384.00

2600-757 50-Ft. (15.2 m)474.00

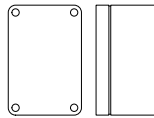
2600-754 500-Ft. (152.4 m)4806.00

Blank Page

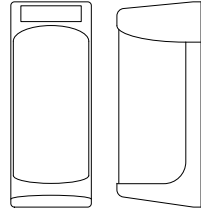
Entrapment Prevention Devices

Non-contact Sensors Type B1

Thru-Beam

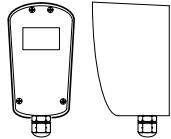


8080-052

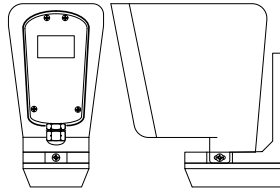


8080-054

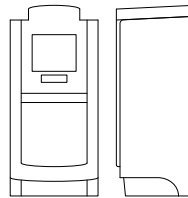
Photo-Reflective



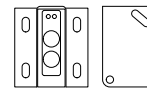
8080-057



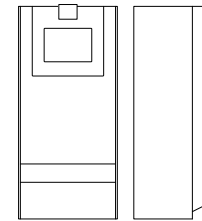
8080-060



8080-053



8080-055



8080-056

Thru-Beam Devices

8080-052 (EMX MON)712.00

- 115 Ft. (35 m) maximum sensing distance.
- 12-24 VAC / 6-35 VDC.
- Includes hood.

8080-054 (Seco-Larm E960-D90GQ)712.00

- 90 Ft. (27 m) maximum sensing distance.
- 12-30 VAC / VDC.

Photo-Reflective Devices

8080-057 (DKS) 212.00

- 35 Ft. (10.6 m) maximum sensing distance.
- Receiver 12-24 VAC / VDC.

8080-060 (DKS) Deluxe..... 310.00

- 35 Ft. (10.6 m) maximum sensing distance.
- Receiver 12-24 VAC / VDC.
- Deluxe housing simplifies installation.

8080-053 (EMX IRB-RET2) 656.00

- 60 Ft. (18 m) maximum sensing distance.
- 12-24 VAC / 6-35 VDC.

8080-055 (Seco-Larm E936-S45RRGQ)..... 656.00

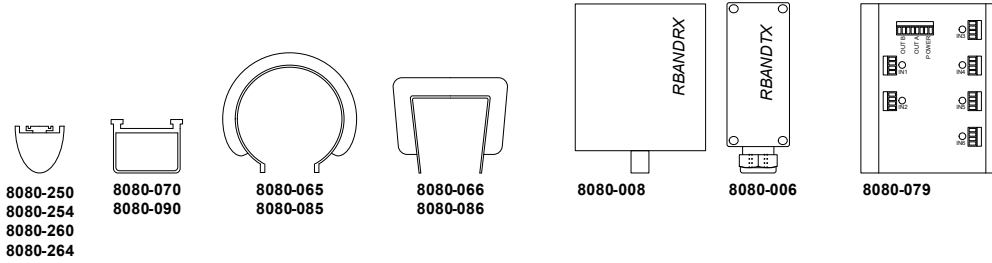
- 45 Ft. (14 m) maximum sensing distance.
- 12-30 VAC / VDC.

8080-056 (Omron E3K)..... 656.00

- 33 Ft. (10 m) maximum sensing distance.
- 24-240 VAC / VDC.

Entrapment Prevention Devices

Contact Sensors Type B2

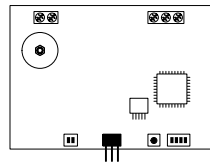


DoorKing Devices	
2-Wire Contact Edge with 10K Termination	
8080-260 6 Ft. (1.8 m)	344.00
8080-250 5 Ft. (1.5 m)	300.00
4-Wire Contact Edge¹	
8080-264 6 Ft. (1.8 m)	344.00
8080-254 5 Ft. (1.5 m)	300.00
1. 4-wire edges do not have 10K termination and are designed to be used wired in series with the 2-wire edges.	
Miller Edge Devices	
2-Wire Contact Edge with 10K Termination	
8080-070 5 Ft. (1.5 m) ME123-T2	502.00
8080-065 5 Ft. (1.5 m) MGR20-T2	550.00
8080-066 5 Ft. (1.5 m) MGS20-T2	550.00
4-Wire Contact Edge¹	
8080-090 5 Ft. (1.5 m) ME123	502.00
8080-085 5 Ft. (1.5 m) MGR20.....	550.00
8080-086 5 Ft. (1.5 m) MGS20.....	550.00
1. 4-wire edges do not have 10K termination and are designed to be used wired in series with the 2-wire T2 edges.	

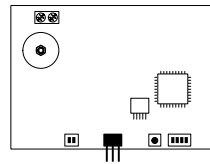
Contact Sensor Accessories	
8080-079 Multiple Input Module (MIM 62)	1394.00
<ul style="list-style-type: none"> Monitors up to six (6) external contact edges. 	
8080-008 Wireless Monitored Link (RB-G-K10) ¹	686.00
<ul style="list-style-type: none"> Receiver: 12-24 VAC / VDC. Transmitter: 3.6 VDC / 2 AA Lithium. Receiver can monitor up to six (6) edges. 	
1. Kit includes receiver and one (1) RB-TX-10 transmitter.	
8080-006 Monitored Transmitter (RB-TX-10)	344.00

Vehicle Protection

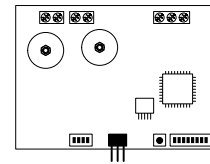
Loop Detectors and Loops



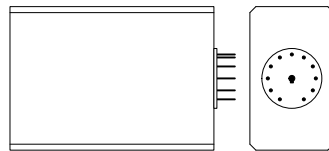
9411-010



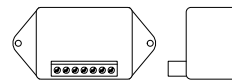
9410-010 / 9416-010



9409-010 / 9415-010



9402-045 / 9402-047



9402-050

DKS Plug-In Loop Detectors

9411-010 Single Channel + Aux Relay	326.00
9410-010 Single Channel	302.00
9409-010 Two Channel.....	570.00
9415-010 Two Channel Low Power Draw	592.00
9416-010 Single Channel Low Power Draw	344.00

Reno A&E Wired Loop Detectors^{1,2}

9402-045 24 VAC / 12-24 VDC	398.00
9402-047 120 VAC	398.00
9402-061 Wire Harness	45.00

Diablo Wired Loop Detectors

9402-050 10-30 VAC / VDC Low Power Draw	398.00
---	--------

1. Detectors have two (2) relay outputs.

2. 9402-061 harness required.

Loop Wire – 18 AWG – XLPE Insulation

9402-076 500 Ft. (152 m) Black.....	310.00
9402-077 1000 Ft. (304 m) Black.....	600.00
9402-078 500 Ft. (152 m) Blue.....	310.00
9402-079 1000 Ft. (304 m) Blue.....	600.00
9402-080 500 Ft. (152 m) Red.....	310.00
9402-081 1000 Ft. (304 m) Red.....	600.00

Prefabricated Loops¹

9401-060 Blue Wire	700.00
9401-061 Yellow Wire	700.00
9401-062 Red Wire	700.00

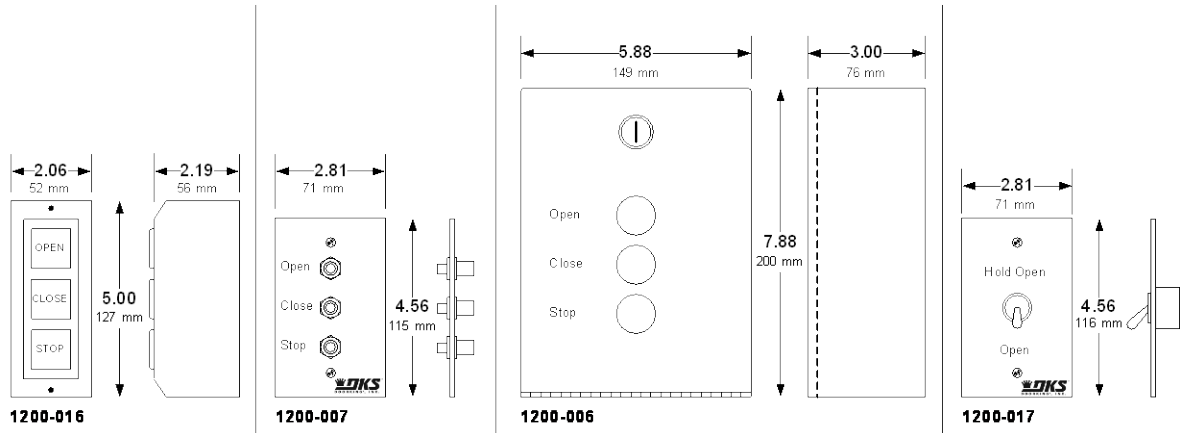
24 Ft. (7 m) circumference, 50 Ft. (15 M) lead-in wire.

Loop Accessories

9401-045 Meg-Ohm Test Meter	708.00
-----------------------------------	--------

Control Stations

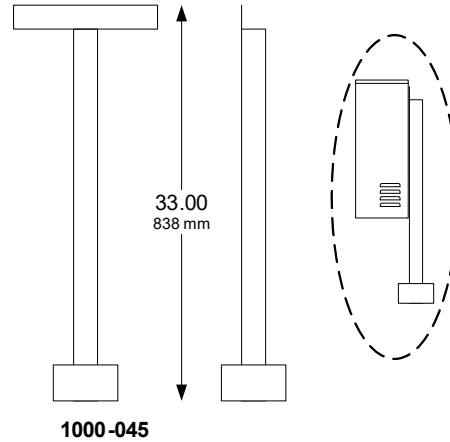
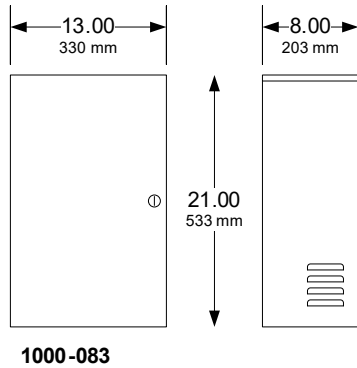
Manual Control



3-Button Control	
1200-016 Indoor use only	344.00
<ul style="list-style-type: none"> • NC Stop circuit 	
3-Button Control¹	
1200-007 Indoor use only	180.00
<ul style="list-style-type: none"> • Mounts into single-gang electrical box. 	
1200-006 Indoor or Outdoor use	412.00
<ul style="list-style-type: none"> • Wall mount 	
<p>1. These control stations use a normally open stop circuit and can only be used with the following models: 6050, 6100, 6300.</p>	
Toggle Control	
1200-017 Indoor use only	92.12
<ul style="list-style-type: none"> • Mounts into single-gang electrical box 	

Model 1000

Back-up Power / Inverter



Model 1000 Power Inverter

1000-083 Pure Sine Wave, 1000 Watt.....2872.00

- Includes two (2) 12V, 35Ah batteries.
- Will power two (2) ½ HP operators or a single 1 HP operator.
- Suitable for use with DoorKing Class I and Class II gate operators and most other residential / light commercial gate operator brands.

Accessories / Replacement Parts

1000-045 Post Mount 560.00
 1801-005 12-Volt, 35 Ah SLA Battery..... 362.00
 1000-044 Battery Cable Set 74.38
 1000-048 Battery (35 Ah) + Cable Set 624.00