



## Blank Page

## UL 325 – February 2023

Requirements mandated by the safety standard (UL 325) that DKS gate operators are listed to require that photo-beams and contact edges used for entrapment protection must be monitored. Entrapment protection must be provided for the gate system where the risk of entrapment exist. The gate operator will not run without one or more external entrapment protection devices installed in each direction of travel. Check the gate operator installation manual for a list of external entrapment protection devices that can be used with DKS gate operator products.

The August 2018 update to the safety standard requires that a minimum of two (2) independent means of entrapment protection must be provided in each direction of travel where the risk of entrapment exists. The inherent system in DKS gate operators is active in both directions of travel, so this qualifies as one means of entrapment protection in each direction. The second means will be an external device, such as a non-contact (Type B1) or a contact (Type B2) sensor as required in each direction. The actual number of external devices required is dependent on the gate system layout and the number of entrapment areas that will need to be protected. Installers will have to identify all potential areas where the risk of entrapment exist and how best to protect those areas. For example, some gates may require two (or more) external devices in each direction of travel to protect all potential areas of entrapment. The standard also mandates that all components used for monitoring purposes for external devices must be factory installed internally within the device.

There is an exception for swing gates and vertical lift gates regarding the minimum of two entrapment protection devices in each direction of travel. For example, if on a swing gate system there is no potential for entrapment in the opening direction, then only the close direction will require a minimum of two means of entrapment protection. Installers will have to determine if any entrapment hazards exist in the opening direction, and if so, then those areas will have to be protected with external devices.

Vertical lift gates require two means of entrapment protection in the down cycle, but will only require one means of entrapment protection in the up cycle. The model 1175 is considered to be a vertical lift gate operator for entrapment protection means requirements.

Barrier (parking) gate operators that are installed in such a way that the parking arm does not come closer than 16 inches to a rigid object are not required to protect against entrapment.

The table below shows the minimum entrapment protection requirements for each type of gate operator in the scope of the UL 325 Standard for Safety.

	Opening	Closing
Horizontal Slide Gate	2	2
Horizontal Swing Gate	2*	2*
Vertical Pivot Gate	2	2
Vertical Lift Gate	1	2
Horizontal Bifold Gate	2	2
* For a horizontal swing gate operator, at least two independent entrapment protection means are required in each direction of travel. Except, if there is no entrapment zone in one direction of travel, only one means of entrapment protection is required in that direction of travel; however, the other direction must have two independent entrapment protection means.		

## Blank Page

## Table of Contents

### Overhead / Parking Gate Operators / Traffic Spike Systems

Model 1175 .....	6
Model 1601 .....	8
Model 1601 Arm Options.....	10
Model 1602 .....	12
Model 1603 .....	14
Model 1603 Arm Options.....	16
Model 1610 Traffic Control Spikes.....	18
Warning Signs / Traffic Signals .....	20
Overhead / Barrier Gate Operator Parts.....	21

### Swing Gate Operators

Model 6006, 6004, 6400 .....	22
Model 6050 / 6100 .....	24
Model 6300 .....	26
Model 6500 .....	28
Model 6524 .....	30
Swing Gate Accessories.....	32
Swing Gate Operator Parts .....	33

### Slide Gate Operators

Model 9000 .....	34
Model 9024 .....	36
Model 9050 / 9100 .....	38
Model 9150 .....	40
Slide Gate Accessories .....	42
Slide Gate Operator Parts .....	44

### Entrapment Protection and Vehicle Detection

Entrapment Protection Devices Non-Contact Type B1 .....	46
Entrapment Protection Devices Contact Type B2 .....	47
Loop Detectors and Loops .....	48

### Accessories

Control Stations .....	49
------------------------	----

### Back-up Power Inverters

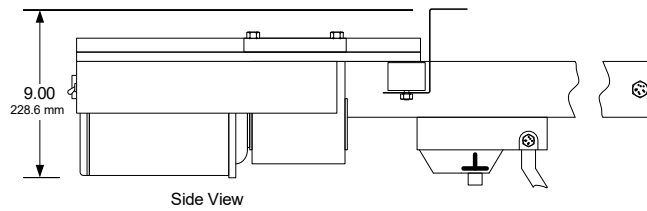
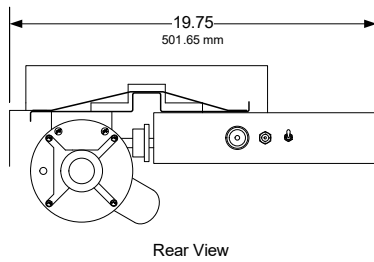
Model 1000 .....	50
------------------	----

## 1175 Overhead Gate Operator

**Indoor Use Only**

### 1175

- Adjustable Limits
- Plug-in Loop Detector Ports
- Built-in power and reset switches
- Gate Tracker Data Output
- Steel Frame
- #40 Roller Chain
- Heavy-duty 3-in (76.2 mm) Rails
- Up to 14 Ft (4.27 m) high gate



Model	Maximum Gate Height	Overall Length	Mount Options <sup>1</sup>	Class of Operation <sup>2</sup>	Voltage	HP	Power Outlets	Maximum Cycles / Day	Loop Ports <sup>3</sup>	Adjustable Clutch <sup>4</sup>
1175	8 Ft 2.43 m	12.25 Ft 3.73 m	Ceiling	II, III, IV	115 VAC	1/2	N/A	Continuous	2	No
	10 Ft 3.05 m	14.25 Ft 4.34 m								
	12 Ft 3.66 m	16.25 Ft 4.95 m								
	14 Ft 4.27 m	18.25 Ft 5.56 m								

1. If the operator is mounted less than 8 feet above the ground, the optional powerhead cover (1175-020) is required.
2. II = Commercial; III = Limited Access; IV = Restricted Access.
3. Plug-in loop detector ports; open and reverse. DoorKing plug-in loop detectors only.
4. Operator is equipped with a Type A inherent detection system.

**WARNING! LTL Carriers are now charging additional fees for any shipment that is eight (8) feet in length or greater. These fees can be substantial.**

# 1175 Overhead Gate Operator

**Indoor Use Only**

## **Powerhead Assembly**

1175-380..... 2728.00

## **Optional Powerhead Cover**

1175-020..... 414.00

*Required if powerhead assembly is mounted less than 8 feet (2.43m) above the ground.*

## **Rail Assembly**

1150-225 (8 ft. high gate) ..... 1608.00

1150-226 (10 ft. high gate) ..... 1928.00

1150-227 (12 ft. high gate) ..... 2250.00

1150-228 (14 ft. high gate) ..... 2570.00

## **Entrapment Protection (required)**

*Use Type B1 (non-contact) and/or Type B2 (contact) entrapment protection devices to protect all areas where the risk of entrapment exist - see pages 46- 47.*

**Operator will not run without entrapment protection device(s) connected to the controller board. See installation manual for more information.**

## **Loops and Loop Detectors**

*See page 48 for a complete list of all loop detectors, prefabricated loops and loop accessories available.*

## **Surge Suppression**

1879-080 High Voltage (120 VAC)..... 204.00

## **Backup Power Inverters**

1000-083 1000 Watt, Pure Sine Wave ..... 2872.00

1000-045 Inverter Post Mount Kit..... 560.00

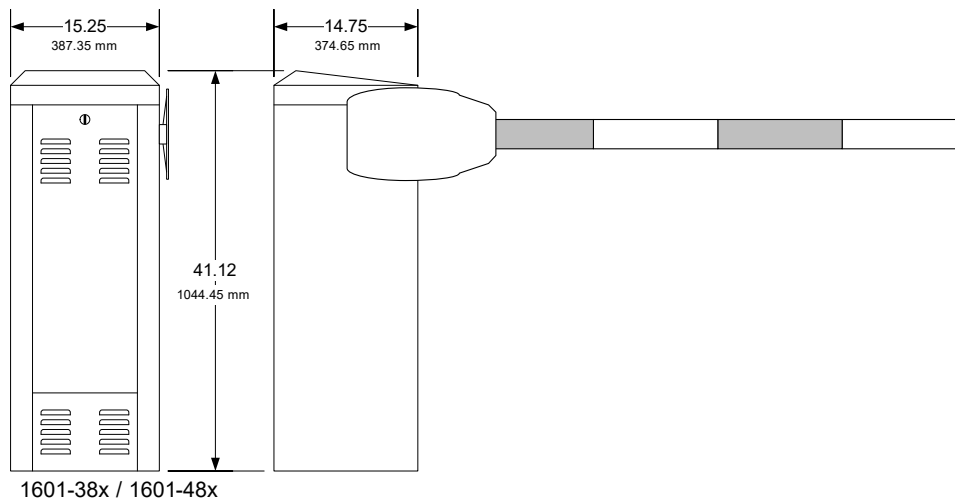
*See page 50 for more information.*

# 1601 Parking Gate Operator

## Magnetic Limits

### 1601

- Magnetic Limits
- Plug-in Loop Detector Ports
- Gate Tracker Data Output
- Up input memory buffer
- Down memory buffer
- Includes photo-reflective beam (8080-057)
- Built-in power and operate switches
- Two convenience outlets
- Left or right hand mount
- 90° in approximately 2.5 sec.



Model	HP	Class of Operation <sup>1</sup>	Voltage <sup>2</sup>	HP	Power Outlets	Cycle Time	Loop Ports <sup>3</sup>	Arm Type	Maximum Length	Fold Option <sup>4</sup>	Breakaway Option	Lighted <sup>5</sup>
1601-38x 1601-48x	1/2	II, III, IV	115 208 230 460 575 VAC	Left Right	2	90° / 2.5 sec	2	Aluminum Octagonal	14 Ft. 4.27 m	Yes	Yes	Optional
								Aluminum Round	14 Ft. 4.27 m	Yes	Yes	No
								Wood	14 Ft. 4.27 m	Yes	No	No
								Plastic	12 Ft. 3.66 m	Yes	No	No

1. II = Commercial; III = Limited Access; IV = Restricted Access.
2. High voltage kit (P/N 2600-266) required for 208 Volt and higher.
3. Plug-in loop detector ports; up loop and down loop. DoorKing plug-in loop detectors only.
4. Maximum arm length using the fold option is 12 Ft. (3.66 m).
5. Octagonal aluminum arm uses Red/Green LED lighting with built-in reverse edge.

**WARNING! LTL Carriers are now charging additional fees for any shipment that is eight (8) feet in length or greater. These fees can be substantial.**



# 1601 Parking Gate Operator

## Magnetic Limits

See pages 10-11 for 1601 operator arm selection.

### Choose an Operator<sup>1</sup>

1601-380 1/2 HP White Housing.....	4150.00
1601-381 1/2 HP w/COO White Housing .....	5354.00
1601-480 1/2 HP Gray Housing.....	5214.00
1601-481 1/2 HP w/COO Gray Housing.....	6292.00

*Operators include 8080-057 photo-reflective beam.*

### High Voltage

2600-266 High Voltage Kit .....	834.00
---------------------------------	--------

*Allows the operator to be powered from 208, 230, 460 or 575 VAC source voltage.*

### Required for Pedestrian Protection Photo Beam

9411-010 Loop Detector .....	326.00
------------------------------	--------

*See page 48 for a complete list of all loop detectors and accessories available.*

### Surge Suppression

1879-080 High Voltage (120 VAC).....	204.00
--------------------------------------	--------

### Backup Power Inverters

1000-083 1000 Watt, Pure Sine Wave .....	2872.00
1000-045 Inverter Post Mount Kit .....	560.00

*See page 50 for more information.*

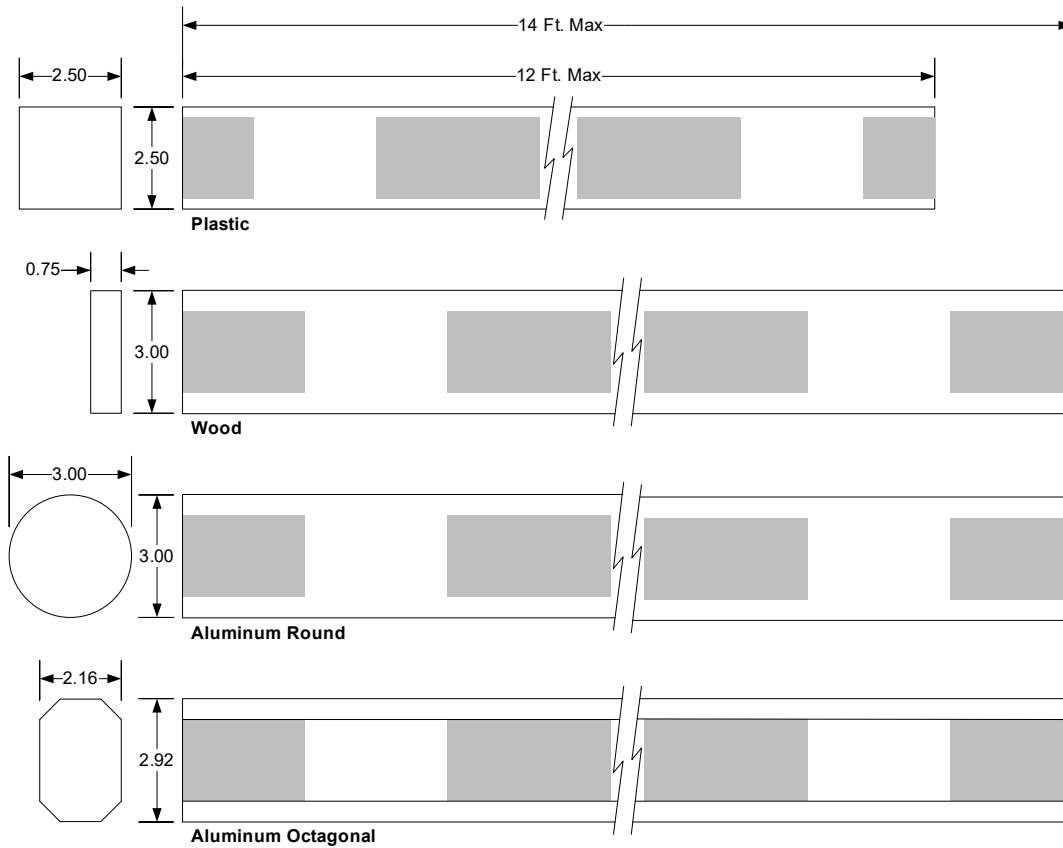
### Accessories

1601-281 Arm Hub Cover White <sup>1</sup> .....	124.00
1601-283 Arm Hub Cover Gray <sup>1</sup> .....	124.00
1603-221 Traffic Signal 12 VDC.....	1156.00
1603-222 Traffic Signal 12 VDC w/35" Post .....	1358.00
1601-092 Heater Kit <sup>2</sup> .....	354.00
1601-093 Fan Kit <sup>3</sup> .....	354.00
1601-154 Heater Kit <sup>4</sup> .....	630.00
1601-270 Manual Crank Kit.....	362.00

1. Arm hub cover is included with the 1601 operator. Shown here for replacement purposes only.
2. Use with 1601-380 and 1601-381 operators.
3. Use in hot, humid environments.
4. Use with 1601-480 and 1601-481 operators.

## 1601 Parking Gate Arm Selection

### Arms, Hardware Kits, Edges



Type	Maximum Length	Fold Option <sup>1</sup>	Breakaway Option	Lighted Option <sup>2</sup>
Plastic <sup>3</sup>	12 Ft. 3.66 m	Yes	No	No
Wood <sup>3</sup>	14 Ft. 4.27 m	Yes	No	No
Aluminum Round	14 Ft. 4.27 m	Yes	Yes	No
Aluminum Octagonal	14 Ft. 4.27 m	Yes	Yes	Yes

1. Maximum arm length using the fold option is 12 Ft. (3.66 m).
2. Octagonal aluminum arm uses Red/Green LED lighting with built-in reverse edge. Edges cannot be used with the 2 Ft. arm extension kit.
3. Plastic and wood arms are not recommended for use in high wind areas.

**Quantities of 1-2 are not recommended as the arms can be easily damaged in transit. Quantities of 3-15 are shipped in bundles of three (3) in heavy-duty shipping tubes. Quantities greater than 15 are shipped in wooded crates.**

**WARNING! LTL Carriers are now charging additional fees for any shipment that is eight (8) feet in length or greater. These fees can be substantial.**

# 1601 Parking Gate Arm Selection

## Arms, Hardware Kits, Edges

### 1601-555 Octagonal Aluminum 14 Ft

1 - 34 .....	492.00
35 - 60 .....	480.00
61 - 84 .....	466.00
85 - 108 .....	452.00

### Special Octagonal Aluminum Arms

1601-567 Arm 14 Ft (4.27 m), 2-Piece <sup>1</sup> .....	568.00
1601-812 Folding Arm Kit 12 Ft (3.66 m) <sup>2</sup> .....	788.00
1. Ships in 8-ft (2.4m) long box.	
2. Minimum ceiling height for this kit is 10 feet (3.04 m)	

### Octagonal Hardware Kits

1601-242 Hardware Kit <sup>3</sup> .....	222.00
1601-235 Reverse Edge Hardware Kit <sup>4</sup> .....	588.00
1601-295 Breakaway Arm Hardware Kit <sup>5</sup> .....	1384.00
1601-297 High Wind Bridge Support Kit <sup>6</sup> .....	144.00
3. Use this kit for arm only - no reverse edge.	
4. Use this kit for arms with reverse edge (includes wiring harness).	
5. Use this kit to add breakaway arm feature (includes wiring harness).	
6. Use with 1601-295 in areas with higher-than-normal wind loads.	

### Octagonal Arm Edges<sup>7</sup>

8080-205 Reverse Edge 5 Ft.....	340.00
8080-206 Reverse Edge 6 Ft.....	360.00
8080-209 Reverse Edge 9 Ft.....	398.00
8080-080 Reverse Edge 12 Ft.....	496.00
8080-305 Reverse Edge 5 Ft Lighted .....	474.00
8080-306 Reverse Edge 6 Ft Lighted .....	482.00
8080-309 Reverse Edge 9 Ft Lighted .....	568.00
8080-096 Reverse Edge 12 Ft Lighted .....	684.00
1601-822 Folding Arm Reverse Edge Lighted <sup>8</sup> .....	1080.00
8080-089 Bumper Edge 13 Ft (not a reverse edge) .....	152.00
7. Edge must be at least 2-Ft shorter than the overall arm length.	
8. Includes two (2) 5 Ft lighted reverse edges and wire harnesses.	

### Arm Conversion Kits

1601-532 Round Arm to Octagonal Arm.....	482.00
1601-538 Round Arm to Octagonal Breakaway Arm....	776.00

### 1601-516 Round Aluminum 14 Ft

1 - 34 .....	492.00
35 - 60 .....	480.00
61 - 84 .....	466.00
85 - 108 .....	452.00

### 1601-522 Round Aluminum Breakaway 14 Ft

1 - 34 .....	492.00
35 - 60 .....	480.00
61 - 84 .....	466.00
85 - 108 .....	452.00

### Special Round Aluminum Arms

1601-524 Arm 14 Ft (4.27 m), 2-Piece <sup>1</sup> .....	568.00
1601-610 Arm 12 Ft (3.66 m) Folding.....	692.00
1601-528 Arm 14 Ft (4.27 m), 2-Piece Breakaway .....	568.00
1. Ships in 8-ft (2.4m) long box.	

### Round Aluminum Arm Hardware Kits

1601-242 Arm Hardware Kit .....	222.00
1601-295 Breakaway Arm Hardware Kit <sup>2</sup> .....	1384.00
1601-297 High Wind Bridge Support Kit <sup>3</sup> .....	144.00
2. Required for breakaway arms. Includes wire harness.	
3. Use with 1601-295 in areas with higher-than-normal wind loads.	

### 1601-348 Wood Arm 14 Ft

1 - 34 .....	598.00
35 - 60 .....	586.00
61 - 84 .....	572.00
85 - 108 .....	558.00

1601-384 Arm 12 Ft (3.66 m) Folding.....	626.00
1601-240 Arm Hardware Kit (Required) .....	190.00

### 1601-571 Plastic Arm 12 Ft

1 - 34 .....	344.00
35 - 60 .....	332.00
61 - 84 .....	318.00
85 - 108 .....	304.00

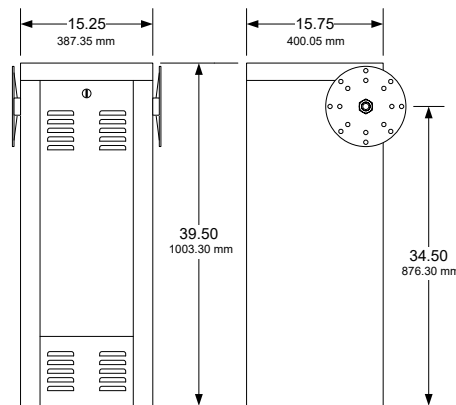
1601-383 Arm 12 Ft (3.66 m) Folding.....	576.00
1601-241 Arm Hardware Kit (Required) .....	190.00

## 1602 Parking Gate Operator

### Magnetic Limits

#### 1602

- Magnetic Limits
- Plug-in Loop Detector Ports
- Gate Tracker Data Output
- Up input memory buffer
- Down memory buffer
- Includes photo-reflective beam (8080-057)
- Built-in power and operate switches
- Two convenience outlets
- Left or right hand mount
- 90° in approximately 5.5 sec.



Model	Mount Options	Class of Operation <sup>1</sup>	Voltage <sup>2</sup>	HP	Power Outlets	Cycle Time	Loop Ports <sup>3</sup>	Arm Type	Maximum Length	Fold Option	Breakaway Option	Lighted Option <sup>4</sup>
1602	Left or Right	II, III, IV	115 208 230 460 575 VAC	1	2	90° 5.5 sec	2	Single Octagonal	17 Ft. <sup>5</sup> 5.18 m	No	Yes	Yes
								Wishbone Octagonal or Round	20 Ft. 6.09 m	No	No	Yes No
									24 Ft. 7.31 m	No	No	Yes No
									27 Ft. 8.23 m	No	No	Yes No
								Wood	20 Ft. 6.09 m	No	No	No

1. II = Commercial; III = Limited Access; IV = Restricted Access.
2. High voltage kit (P/N 2600-266) required for 208 Volt and higher.
3. Plug-in loop detector ports; up loop and down loop. DoorKing plug-in loop detectors only.
4. LED lighted option available on the octagonal arms only.
5. 17-foot arm is a combination of the 1601-555 arm plus the 1602-303 arm extension kit.

# 1602 Parking Gate Operator

## Magnetic Limits

### Choose an Operator<sup>1</sup>

1602-090 1 HP .....	6936.00
1602-091 1 HP w/COO <sup>2</sup> .....	7722.00

1. Operators include 8080-057 photo-reflective beam and built-in manual crank release system.
2. Convenience Open Option provides a method to raise the arm when AC power has failed.

### High Voltage

2600-266 High Voltage Kit .....	834.00
---------------------------------	--------

Allows the operator to be powered from 208, 230, 460 or 575 VAC source voltage.

### Required for Pedestrian Protection Photo Beam

9411-010 Loop Detector .....	326.00
------------------------------	--------

See page 48 for a complete list of all loop detectors and accessories available.

### Surge Suppression

1879-080 High Voltage (120 VAC).....	204.00
--------------------------------------	--------

### Backup Power Inverters

1000-083 1000 Watt, Pure Sine Wave .....	2872.00
1000-045 Inverter Post Mount Kit .....	560.00

See page 50 for more information.

### Accessories

8060-082 RF Kit (Receiver + MicroPlus TX (1) .....	254.00
1603-221 Traffic Signal 12 VDC.....	1156.00
1603-222 Traffic Signal 12 VDC w/35" Post .....	1358.00
1601-092 Heater Kit <sup>1</sup> .....	354.00
1601-093 Fan Kit <sup>2</sup> .....	354.00

1. Heater turns on when temperature falls below 40°F (4.4°C).
2. Use in hot, humid environments.

### Wishbone Aluminum Arms Octagonal

1602-282 3-Piece, 20 Ft (6.09 m) .....	5356.00
1602-284 3-Piece, 24 Ft (7.31 m) .....	5678.00
1602-287 3-Piece, 27 Ft (8.23 m) .....	5998.00

### LED/Reverse Edge Kits<sup>1</sup> (Octagonal Arms Only)

1602-292 for 20 Ft (6.09 m) arm .....	1714.00
1602-294 for 24 Ft (7.31 m) arm .....	1864.00
1602-297 for 27 Ft (8.23 m) arm .....	2232.00

1. Kits include required LED/Reverse edge strips, power transformer, wire harness and hardware.

### Wishbone Aluminum Arms Round

1602-162 3-Piece, 20 Ft (6.09 m) .....	5356.00
1602-164 3-Piece, 24 Ft (7.31 m) .....	5678.00
1602-166 3-Piece, 27 Ft (8.23 m) .....	5998.00

### Wishbone Wood Arm

1602-340 3-Piece, 20 Ft (6.09 m) .....	770.00
1602-041 Hardware Kit - Required.....	1316.00

### Straight Aluminum Arm Octagonal

1601-555 1-Piece, 14 Ft (4.27 m) .....	492.00
1602-303 3 Ft (.91 m) Arm Extension <sup>1</sup> .....	228.00
1601-242 Hardware Kit <sup>2</sup> .....	222.00
1601-235 Reverse Edge Hardware Kit <sup>3</sup> .....	588.00
1601-295 Breakaway Arm Hardware Kit <sup>4</sup> .....	1384.00
8080-315 Reverse Edge 15 Ft (4.57 m) Lighted. ....	800.00
1601-297 High Wind Bridge Support Kit <sup>5</sup> .....	144.00

1. Used in combination with the 1601-555 arm to create a 17 Ft arm. Kit cannot be used with the 1601 or 1603 operators.
2. Use this kit for arm only – no reverse edge.
3. Use this kit for arms with 8080-315 reverse edge.
4. Use this kit to add breakaway arm feature (includes wiring harness).
5. Use with 1601-295 in areas with higher-than-normal wind loads.

# 1603 Auto-Spikes / Operator

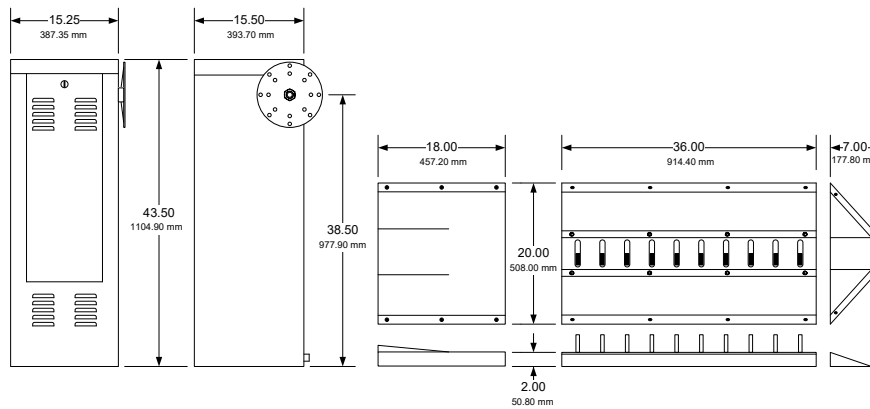
## Automotive / Light Trucks Only

### 1603

- Magnetic Limits
- Plug-in Loop Detector Ports
- Gate Tracker Data Output
- Up input memory buffer
- Down memory buffer
- Built-in power switches
- Two convenience outlets
- Left or right hand mount
- Galvanized steel housing
- 90° in approximately 2.5 sec.

### Spikes

- ¼ Multi-Grip steel
- 20,000 per axle weight limit
- 14 Ft. maximum width
- **1615-081 Warning Sign required**
- **Not recommended for use in areas subject to freezing weather**



Model	Mount Options	Class of Operation <sup>1</sup>	Voltage <sup>2</sup>	HP	Power Outlets	Cycle Time	Loop Ports <sup>3</sup>	Arm Type	Maximum Length	Fold Option <sup>4</sup>	Breakaway Option	Lighted Option
1603	Left or Right	II, III, IV	115 208	1/2	2	90° 2.5 sec	2	Aluminum Octagonal	14 Ft. 4.27 m	Yes	No	Yes
			230 460					Aluminum Round	14 Ft. 4.27 m	Yes	No	No
			575 VAC									

1. II = Commercial; III = Limited Access; IV = Restricted Access.
2. High voltage kit (P/N 2600-266) required for 208 Volt and higher.
3. Plug-in loop detector ports; up loop and down loop. DoorKing plug-in loop detectors only.
4. Maximum arm length using the fold option is 12 Ft. (3.66 m).

**Installation and use of spike components in areas that are subject to freezing weather with potential for snow and ice accumulation is not recommended. With advancements in tire construction, and with the many different types, sizes and styles of tires, we cannot guarantee that traffic control spikes will penetrate all tires. For use with automotive and light pickup trucks only.**

**WARNING! LTL Carriers are now charging additional fees for any shipment that is eight (8) feet in length or greater. These fees can be substantial.**

# 1603 Auto-Spikes / Operator

## Automotive / Light Trucks Only

See pages 16-17 for 1603 operator arm selection.

### Choose an Operator<sup>1</sup>

1603-380 1/2 HP .....	5782.00
1603-381 1/2 HP w/COO <sup>2</sup> .....	6980.00
1. Operators include built-in manual crank release system.	
2. Convenience Open Option provides a method to raise the arm when AC power has failed.	

### High Voltage

2600-266 High Voltage Kit .....	834.00
<i>Allows the operator to be powered from 208, 230, 460 or 575 VAC source voltage.</i>	

### Backup Power Inverters

1000-083 1000 Watt, Pure Sine Wave .....	2872.00
1000-045 Inverter Post Mount Kit .....	560.00
<i>See page 50 for more information.</i>	

### Surge Suppression

1879-080 High Voltage (120 VAC).....	204.00
--------------------------------------	--------

### Required for Pedestrian Protection Photo Beam

8080-057 Photo-Reflective Beam .....	212.00
9411-010 Loop Detector .....	326.00
<i>See pages 46 - 47 for all protection devices available. See page 44 for a complete list of all loop detectors and accessories available.</i>	

### Spike Components

1603-168 Drive Ext 18 in (457 mm) - Required .....	1684.00
<i>Choose spike components from below</i>	
1603-165 Spike Section 3 Ft (0.91 m).....	2994.00
1603-170 Tunnel Extension 18 in (457 mm).....	1582.00
1610-240 End Cap .....	580.00

### Warning Sign - Required

1615-081 Auto-Spike Warning Sign.....	1518.00
<i>Illuminated warning sign MUST be used with the auto-spike system. Warning sign mounts on a 3.5 in (89 mm) post.</i>	

### Traffic Signal - Recommended

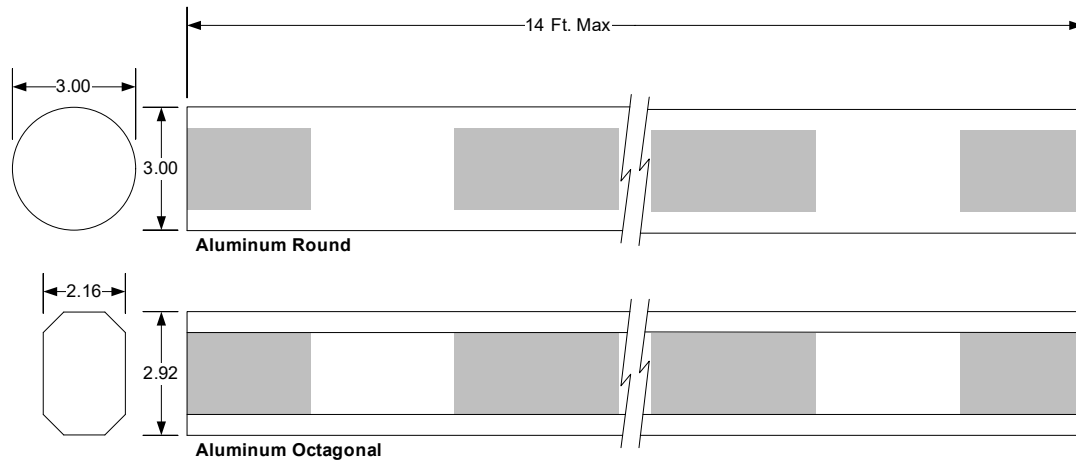
1603-222 12 VDC w/35" (.89m) Post .....	1358.00
1603-223 12 VDC w/95" (2.4m) Post .....	2744.00

### Accessories

1601-281 Arm Hub Cover <sup>1</sup> .....	124.00
1601-092 Heater Kit <sup>2</sup> .....	354.00
1601-093 Fan Kit <sup>3</sup> .....	354.00
1603-001 Replacement Manual Crank Handle .....	174.00
1. Arm hub cover is included with the 1603 operator. Shown here for replacement purposes only.	
2. Heater turns on when temperature falls below 40°F (4.4°C).	
3. Use in hot, humid environments.	

## 1603 Auto-Spikes / Operator Arm Selection

### Arms, Hardware Kits, Edges



Type	Maximum Length	Fold Option <sup>1</sup>	Breakaway Option	Lighted Option <sup>2</sup>
Aluminum Round	14 Ft. 4.27 m	Yes	Yes	No
Aluminum Octagonal	14 Ft. 4.27 m	Yes	Yes	Yes

1. Maximum arm length using the fold option is 12 Ft. (3.66 m).
2. Octagonal aluminum arm uses Red/Green LED lighting with built-in reverse edge.

Quantities of 1-2 are not recommended as the arms can be easily damaged in transit. Quantities of 3-15 are shipped in bundles of three (3) in heavy-duty shipping tubes. Quantities greater than 15 are shipped in wooded crates.

Wood, Plastic and Breakaway arms cannot be used with the 1603 Barrier Gate / Auto-Spikes product.

**WARNING!** LTL Carriers are now charging additional fees for any shipment that is eight (8) feet in length or greater. These fees can be substantial.



## 1603 Auto-Spikes / Operator Arm Selection

### Arms, Hardware Kits, Edges

#### 1601-555 Octagonal Aluminum 14 Ft

1 - 34 .....	492.00
35 - 60 .....	480.00
61 - 84 .....	466.00
85 - 108 .....	452.00

#### Arm Options

1601-567 Arm 14 Ft (4.27 m), 2-Piece <sup>1</sup> .....	568.00
1601-812 Folding Arm Kit 12 Ft (3.66 m) <sup>2</sup> .....	788.00
1. Ships in 8-ft (2.4m) long box.	
2. Minimum ceiling height for this kit is 10 feet (3.04 m)	

#### Octagonal Hardware Kits

1601-242 Hardware Kit <sup>3</sup> .....	222.00
1601-235 Reverse Edge Hardware Kit <sup>4</sup> .....	588.00
3. Use this kit for arm only – no reverse edge.	
4. Use this kit for arms with reverse edge (includes wiring harness).	

#### Octagonal Arm Edges<sup>5</sup>

8080-205 Reverse Edge 5 Ft.....	340.00
8080-206 Reverse Edge 6 Ft.....	360.00
8080-209 Reverse Edge 9 Ft.....	398.00
8080-080 Reverse Edge 12 Ft.....	496.00
8080-305 Reverse Edge 5 Ft Lighted .....	474.00
8080-306 Reverse Edge 6 Ft Lighted .....	482.00
8080-309 Reverse Edge 9 Ft Lighted .....	568.00
8080-096 Reverse Edge 12 Ft Lighted .....	684.00
1601-822 Folding Arm Reverse Edge Lighted <sup>6</sup> .....	1080.00
8080-089 Bumper Edge 13 Ft (not a reverse edge).....	152.00
5. Edge must be at least 2-Ft shorter than the overall arm length.	
6. Includes two (2) 5 Ft lighted reverse edges and wire harnesses.	

#### Arm Conversion Kits

1601-532 Round Arm to Octagonal Arm .....	482.00
---	--------

#### 1601-516 Round Aluminum 14 Ft

1 - 34 .....	492.00
35 - 60 .....	480.00
61 - 84 .....	466.00
85 - 108 .....	452.00

#### Arm Options

1601-524 Arm 14 Ft (4.27 m), 2-Piece <sup>1</sup> .....	568.00
1601-610 Arm 12 Ft (3.66 m) Folding .....	692.00
1. Ships in 8-ft (2.4m) long box.	

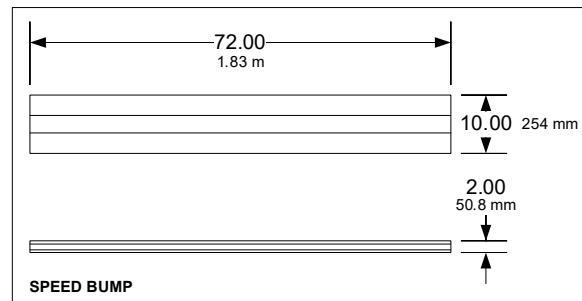
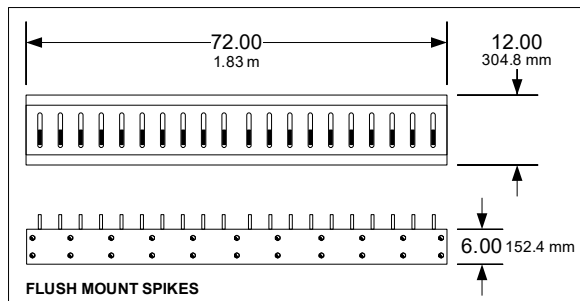
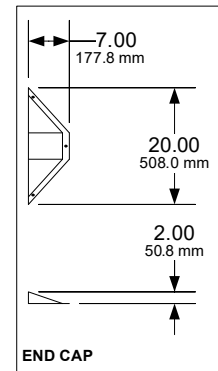
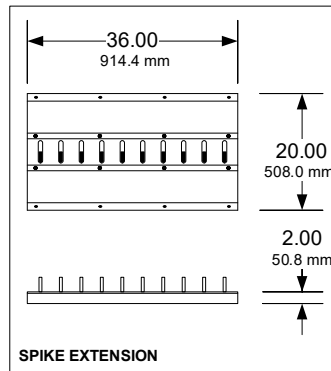
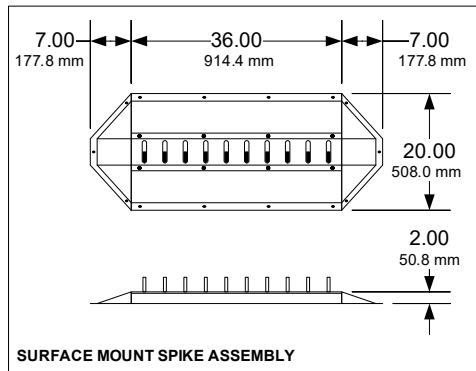
#### Round Aluminum Arm Hardware Kits

1601-242 Arm Hardware Kit <sup>2</sup> .....	222.00
2. Required.	

## Model 1610 Stand-Alone Traffic Control Spikes

### Automotive / Light Trucks Only

Installation and use of spike components in areas that are subject to freezing weather with potential for snow and ice accumulation is not recommended. With advancements in tire construction, and with the many different types, sizes and styles of tires, we cannot guarantee that traffic control spikes will penetrate all tires. For use with automotive and light pickup trucks only.



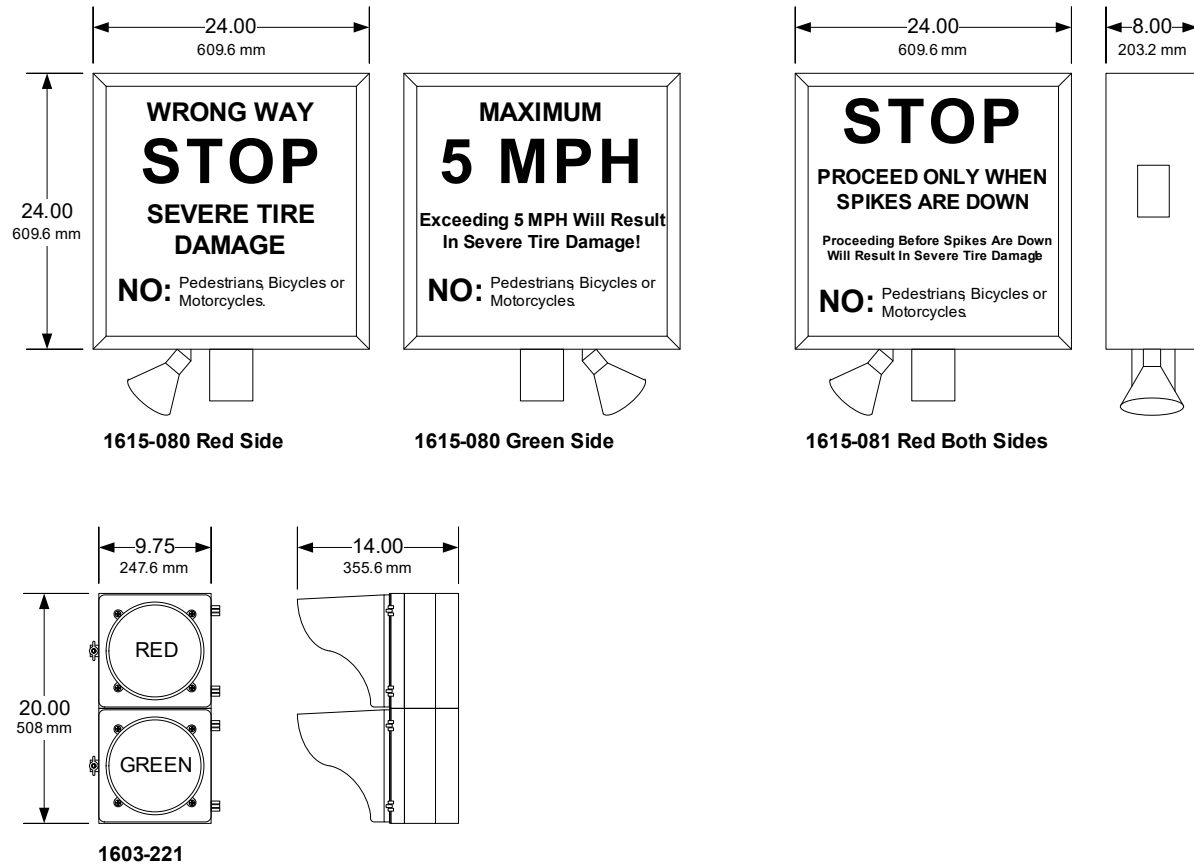
<b>8,000 Lb. per axle Weight Limit (5 MPH Maximum Speed)</b>	
<b>Surface Mount<sup>1</sup></b>	
1610-088 Assembly Spring Retraction <sup>2</sup> .....	4230.00
1610-087 Extension .....	2980.00
1610-240 End Cap.....	580.00
1610-010 Lock Down Tool .....	412.00
1. Surface mount spikes have a lock down feature (requires 1610-010).	
2. 1610-088 assembly includes one (1) 1610-087 and two (2) 1610-240.	
<b>20,000 Lb. per axle Weight Limit (5 MPH Maximum Speed)</b>	
<b>Flush Mount Heavy-Duty</b>	
1610-090 Spring Retraction HD .....	3652.00
1610-091 Weighted Retraction HD.....	3384.00
<b>Flush Mount Heavy-Duty w/Lockdown Feature</b>	
1610-092 Spring Retraction w/Lockdown HD <sup>1</sup> .....	3286.00
1610-093 Weighted Retraction w/Lockdown HD <sup>2</sup> .....	3766.00
1. Includes 1610-012 lock-down tool.	
2. Includes 1610-013 lock-down tool	

<b>8,000 Lb. per axle Weight Limit (5 MPH Maximum Speed)</b>	
<b>Flush Mount</b>	
1610-080 Spring Retraction .....	2866.00
1610-081 Weighted Retraction.....	2898.00
<b>Flush Mount w/Lock-Down Feature</b>	
1610-082 Spring Retraction <sup>1</sup> .....	2860.00
1610-083 Weighted Retraction <sup>2</sup> .....	3278.00
1. Includes 1610-012 lock-down tool.	
2. Includes 1610-013 lock-down tool	
<b>Replacement Lock-Down Tools</b>	
1610-012 Use with Spring Retraction spikes.....	110.00
1610-013 Use with Weighted Retraction spikes .....	214.00
<b>Speed Bump</b>	
1610-150 Speed Bump.....	668.00
<b>Warning Sign – Required<sup>1</sup></b>	
1615-080 Warning Sign.....	1518.00
1. Mandatory when spike systems are installed.	

## **Blank Page**

## Traffic Control

### Warning Sign, Traffic Signal



Illuminated Warning Signs	
1615-080 .....	1518.00
1615-082 (Spanish) .....	1518.00
<ul style="list-style-type: none"> <li>Use these signs with surface and flush mount spike systems. Signs mount on a 3.5 in (89 mm) post.</li> </ul>	
Illuminated Auto-Spike Warning Sign	
1615-081 .....	1518.00
<ul style="list-style-type: none"> <li>Use this sign with the 1603 auto-spike system. Sign mounts on a 3.5 in (89 mm) post.</li> </ul>	
Replacement Components	
1615-022 LED T8 Tube, 12W, 700 Lumens .....	95.16
1615-023 LED Flood Lamp, 9W, 655 Lumens .....	166.00
1615-032 RED panel .....	212.00
1615-034 GREEN panel .....	212.00
1615-035 RED Auto-spike panel .....	212.00

Traffic Signal 12 VDC	
1603-221 .....	1156.00
1603-222 includes 35" (.89m) Mount Post .....	1358.00
1603-223 includes 95" (2.4m) Mount Post .....	2744.00
Replacement Components	
1603-551 LED Bulb 12VDC, 7W .....	52.08

## Overhead / Barrier Operator Parts & Replacement Items

### Miscellaneous Parts & Accessories

<b>Circuit Boards</b>	
1601-010.....	830.00
Used in models 1601, 1602 and 1603	
4405-018.....	830.00
Used in model 1175	
1473-121 Convenience Open kit.....	454.00
Used in pre-2016 models 1150, 1601, 1602 and 1603	

<b>Spike System Replacement Components</b>	
1610-031 .....	15.68
Replacement spring for 1610-080 spike set	
1610-030 .....	40.76
Replacement spike for 1610-080 spike set	
1610-035 .....	41.20
Replacement spike for 1610-083 spike set	
1610-037 .....	40.76
Spike spring lockdown assembly	
1610-045 .....	41.14
Spike, weighted assembly	

<b>Barrier Operator Replacement Parts</b>	
1601-281 .....	124.00
Barrier arm hub cover - white	
1601-283 .....	124.00
Barrier arm hub cover - gray	
2599-101 .....	27.76
Replacement Warning Sign	
1601-069 .....	54.88
Wood arm mounting bracket	
1601-068 .....	84.84
Plastic arm mounting bracket	
1601-360 .....	228.00
Arm mounting hub kit - steel	
1801-009 .....	120.00
12 Volt, 3 AH replacement battery	

<b>Warning Sign Replacement Components</b>	
1615-032 .....	212.00
Warning sign replacement panel – RED (use with 1610-080 warning sign)	
1615-034 .....	212.00
Warning sign replacement panel – GREEN (use with 1610-080 warning sign)	
1615-035 .....	212.00
Auto-spike warning sign replacement panel (use with 1610-081 warning sign)	
1615-038 .....	314.00
Warning Sign panel – Entrapment Alert	
1615-022 .....	95.16
T8 LED Tube Lamp, 12 Watt, 700 Lumens (warning sign replacement bulbs)	
1615-023 .....	166.00
LED Flood Lamp, 12VDC, 9 Watt	
1603-551 .....	52.08
LED Bulb 12VDC, 7 Watt (traffic signal replacement bulb)	

## 6004, 6006, 6400 Operators

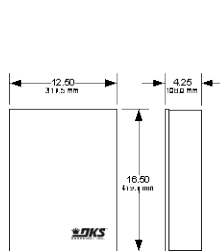
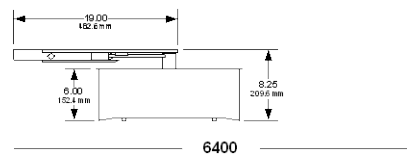
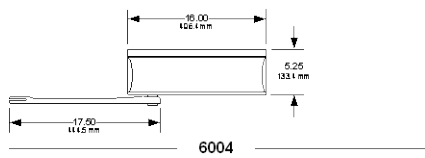
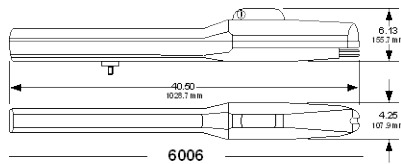
### Residential/Light Commercial

#### Operators

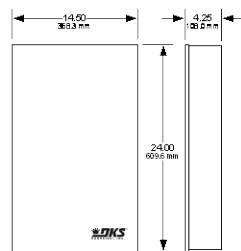
- 24 VDC continuous duty motor
- Built-in magnetic limit switches
- Slow-Start / Slow-Stop
- Small, compact designs

#### Control Box

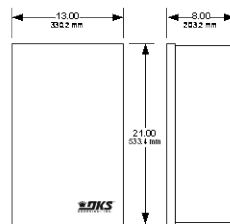
- 115 VAC or 24 VDC / Solar input power
- Includes photocell
- Single and Dual (bi-parting) gate operation
- 18 Ah or 35 Ah battery options



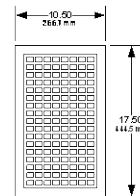
120 Volt AC  
Standard Control Box



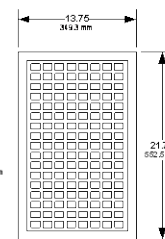
120 Volt AC  
Deluxe Control Box



24 Volt DC  
Solar Control Box



Solar Panel  
24 VDC 10 W



Solar Panel  
24 VDC 20 W

Model	Max Gate Weight <sup>1</sup>	Max Gate Length <sup>1</sup>	Max Cycles per Day <sup>2</sup>	Maximum Cycles on Backup Power <sup>2</sup>		
				3.5 Ah	18 Ah	35 Ah
6006	600 lbs. (272 kg)	18 ft. (5.48 m)	300	100	600	1200
	800 lbs. (362 kg)	16 ft. (4.87 m)				
	1600 lbs. (725 kg)	8 ft. (2.43 m)				
6004	500 lbs. (227 kg)	8 ft. (2.44 m)	100	100	600	1200
6400	300 lbs. (136 kg)	8 ft. (2.44 m)	100	100	600	1200

1. Assumes gate to be in good condition and swinging in a level plane.
2. Cycles shown are estimates only for single operators when solar panel(s) are not providing a charge to the batteries. Actual number of cycles will vary depending on usage, accessories connected, gate weight, operating condition of gate, temperature, geographic location, weather (cloud coverage) and charge state of the batteries.

# 6006, 6004, 6400 Operators

## Residential / Light Commercial

### Actuators<sup>1</sup>

6006-380 Actuator Primary ..... 1860.00

6006-381 Actuator Secondary<sup>2</sup> ..... 2334.00

1. 4302-xxx control box is required. Control box will operate a single or dual (Bi-parting gates) actuators.

2. Same as 6006-380, but also includes 50 Ft. of interconnecting cable.

### Operators

6004-380 Column Mount Residential ..... 2118.00

6400-380 In-Ground Residential ..... 2602.00

### Entrapment Protection (required)

Use Type B1 (non-contact) and/or Type B2 (contact) entrapment protection devices to protect all areas where the risk of entrapment exist - see pages 46 - 47.

**Actuator/Operator will not run without entrapment protection device(s) connected to the controller board. See installation manual for more information.**

4302 Control Boxes include the 8080-057 photocell.

### Loops and Loop Detectors

See page 48 for a complete list of all loop detectors, prefabricated loops and loop accessories available.

### Flange Bearing Hinge

1200-009 3000 Lb. (1360 kg) Weight Capacity ..... 198.00

Includes mounting bracket and hardware, two required per gate (top, bottom), designed for use with 2" (50.8 mm) gate frame.

### Sealed Bearing Hinge

1200-019 2000 Lb. (907 kg) Weight Capacity ..... 198.00

1200-039 3000 Lb. (1360 kg) Weight Capacity ..... 236.00

Includes mounting bracket and hardware, two required per gate (top, bottom), designed for use with round or square gate frames.

### Torsion Rod Assembly

1203-084 ..... 454.00

2600-299 Additional Torsion Rods ..... 160.00

Counter-balances uphill swing gates, includes top bracket, bottom bracket and one (1) torsion rod. Up to five (5) additional torsion rods can be added.

### 115 VAC Control Box

4302-311 Standard ..... 1598.00

4302-312 Deluxe ..... 1746.00

115 VAC control boxes include two (2) 3.5 Ah batteries, 8080-057 photocell, 8040-080 receiver and two (2) single button transmitters.

Deluxe control box includes three (3) 115 VAC convenient outlets.

### Solar Control Box

4302-313 (No batteries) ..... 2018.00

4302-314 (Two 18 Ah batteries) ..... 2224.00

4302-315 (Two 35 Ah batteries) ..... 2412.00

Solar control boxes include 8080-057 photocell, 8040-080 receiver and two (2) single button transmitters.

### Solar Panels

2000-076 24-Volt, 20-Watt ..... 940.00

Use with 35 Ah batteries

2000-077 24-Volt, 10-Watt ..... 474.00

Use with 18 Ah batteries

2000-110 Solar Panel Mount Bracket ..... 80.36

### Batteries

1801-009 12-volt, 3.5 Ah ..... 120.00

1801-004 12-volt, 18 Ah ..... 282.00

1801-005 12-volt, 35 Ah ..... 362.00

### Surge Suppression

1879-080 High Voltage (120 VAC) ..... 204.00

### Bi-Parting (Dual) Gate Connection Cable

2600-755 30-Ft. (9.1 m) ..... 322.00

2600-756 40-Ft. (12.2 m) ..... 384.00

2600-757 50-Ft. (15.2 m) ..... 474.00

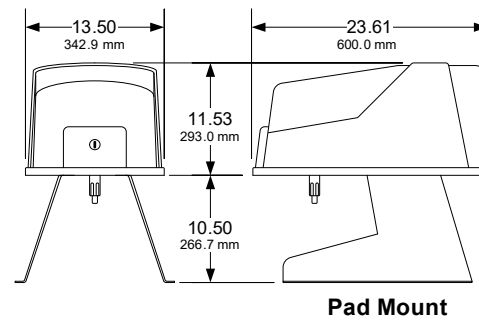
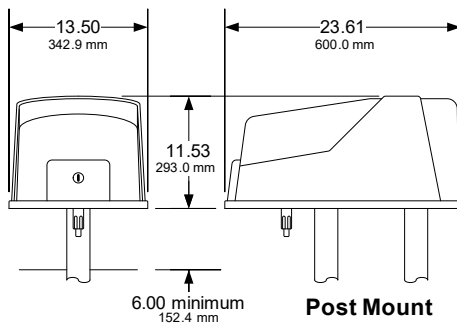
2600-754 500-Ft. (152.4 m) ..... 4806.00

## 6050 / 6100 Swing Gate Operators

### Automatic Magnetic Limits

#### 6050 / 6100

- Self-Adjusting Magnetic Limits
- Type A inherent reverse system
- Plug-in Loop Detector Ports
- Gate Tracker Data Output
- Built-in power and reset switches
- Tamper protect feature
- Polypropylene cover
- Galvanized steel frame
- Pad or Post mounted
- Opens gate 90° in approximately 12 sec.
- Magnetic lock output
- Overlap feature for bi-parting gates



Model	Maximum Gate Weight	Maximum Gate Length	Mount Options <sup>1</sup>	Class of Operation <sup>2</sup>	Voltage	HP	Power Outlets	Maximum Cycles / Day	Loop Ports <sup>4</sup>	Adjustable Clutch <sup>5</sup>
6050	400 Lbs 181 KG	10 Ft 3.05 m	Pad / Post	I	115 VAC	1/2 <sup>3</sup>	N/A	100	2	Yes
6100	500 Lbs 226 KG	14 Ft 4.26 m	Pad / Post	I, II	115 VAC	1/2	N/A	Continuous	2	Yes

1. Select pad or post mount hardware kit when ordering.
2. I = Residential; II = Commercial.
3. This is an intermittent duty cycle motor.
4. Plug-in loop detector ports; open and reverse. DoorKing plug-in loop detectors only.
5. Clutch is not applicable as an entrapment protection device.



## 6050 / 6100 Swing Gate Operators

### Automatic Magnetic Limits

#### Step 1: Choose an Operator or Operator Set

6050-380 Primary .....	3326.00
6050-381 Secondary .....	2922.00
<i>Secondary operator includes 30 feet (9.1 m) of interconnection cable.</i>	

6100-380 Primary .....	3648.00
6100-381 Secondary .....	2934.00
<i>Secondary operator includes 40 feet (12.2 m) of interconnection cable.</i>	

#### Step 2: Choose a Mounting Kit (Includes Arms)

2600-671 Pad Mount Kit .....	720.00
2600-674 Post Mount Kit .....	592.00

#### Step 3: Choose Entrapment Protection (required) Devices

*Use Type B1 (non-contact) and/or Type B2 (contact) entrapment protection devices to protect all areas where the risk of entrapment exist - see pages 46 – 47.*

**Operator will not run without entrapment protection device(s) connected to the controller board. See installation manual for more information.**

#### Loops and Loop Detectors

*See page 48 for a complete list of all loop detectors, prefabricated loops and loop accessories available.*

#### Surge Suppression

1879-080 High Voltage (120 VAC) .....	204.00
---------------------------------------	--------

#### Accessories

8060-082 RF Kit (Receiver + MicroPlus TX (1) .....	254.00
2600-664 Post Mount Base Plate <sup>1</sup> .....	480.00
1601-154 Heater Kit 120 VAC <sup>2</sup> .....	630.00

*1. Use to mount 6050 and 6100 operators onto an existing concrete pad.*

*2. Heater turns on when temperature falls below 40°F (4.4°C).*

#### Backup Power Inverters

1000-083 1000 Watt, Pure Sine Wave .....	2872.00
1000-045 Inverter Post Mount Kit.....	560.00
<i>See page 50 for more information.</i>	

#### Bi-Parting (Dual) Gate Interconnection Cable

2600-755 30-Ft. (9.1 m) .....	322.00
2600-756 40-Ft. (12.2 m) .....	384.00
2600-757 50-Ft. (15.2 m) .....	474.00
2600-754 500-Ft. (152.4 m).....	4806.00

#### Flange Bearing Hinge

1200-009 3000 Lb. (1360 kg) Weight Capacity .....	198.00
<i>Includes mounting bracket and hardware, two required per gate (top, bottom), designed for use with 2" (50.8 mm) gate frame.</i>	

#### Sealed Bearing Hinge

1200-019 2000 Lb. (907 kg) Weight Capacity .....	198.00
1200-039 3000 Lb. (1360 kg) Weight Capacity .....	236.00
<i>Includes mounting bracket and hardware, two required per gate (top, bottom), designed for use with round or square gate frames.</i>	

#### Uphill Arm Pivot Assembly

6500-490 .....	312.00
<i>Use with 1203-084 Torsion Rod Assembly.</i>	

#### Torsion Rod Assembly

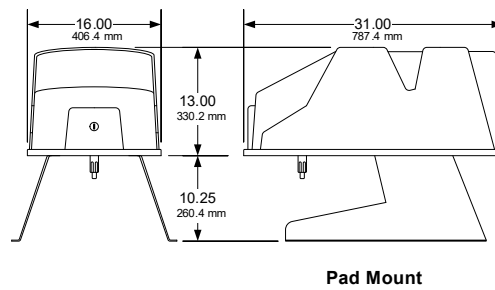
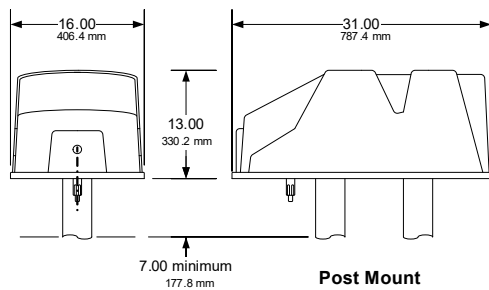
1203-084 .....	454.00
2600-299 Additional Torsion Rods .....	160.00
<i>Counter-balances uphill swing gates, includes top bracket, bottom bracket and one (1) torsion rod. Up to five (5) additional torsion rods can be added.</i>	

## 6300 Swing Gate Operators

### Automatic Magnetic Limits

#### 6300

- Self-Adjusting Magnetic Limits
- Type A inherent reverse system
- Plug-in Loop Detector Ports
- Gate Tracker Data Output
- Built-in power and reset switches
- Tamper protect feature
- Polypropylene cover
- Galvanized steel frame
- Pad or Post mounted
- Opens gate 90° in approximately 16 sec.
- Magnetic lock output
- Overlap feature for bi-parting gates



Model	Maximum Gate Weight	Maximum Gate Length	Mount Options <sup>1</sup>	Class of Operation <sup>2</sup>	Voltage <sup>3</sup>	HP	Power Outlets	Maximum Cycles / Day	Loop Ports <sup>4</sup>	Adjustable Clutch <sup>5</sup>
6300	700 Lbs 317 KG	18 Ft 5.48 m	Pad / Post	I, II, III, IV	115 208 230 460 575 VAC	1/2	2	Continuous	2	Yes
6300	800 Lbs 362 KG	22 Ft 6.70 m	Pad / Post	I, II, III, IV	115 208 230 460 575 VAC	1	2	Continuous	2	Yes

1. Select pad or post mount hardware kit when ordering.
2. I = Residential; II = Commercial; III = Limited Access; IV = Restricted Access
3. High voltage kit (P/N 2600-266) required for 208 Volt and higher.
4. Plug-in loop detector ports; open and reverse. DoorKing plug-in loop detectors only.
5. Clutch is not applicable as an entrapment protection device.

# 6300 Swing Gate Operators

## Automatic Magnetic Limits

### Step 1: Choose an Operator or Operator Set

6300-380 Primary ½ HP .....	4076.00
6300-381 Secondary ½ HP .....	3804.00

6300-384 Primary 1 HP .....	4906.00
6300-385 Secondary 1 HP .....	4614.00

*Secondary operators includes 50 feet (15.2 m) of interconnection cable.*

### High Voltage Kit

2600-266.....	834.00
---------------	--------

*Allows the operator to be powered from 208, 230, 460 or 575 VAC source voltage. In dual gate applications, only one (1) kit is required.*

### Step 2: Choose a Mounting Kit (Includes Arms)

2600-264 Pad Mount Kit .....	928.00
2600-263 Post Mount Kit .....	1140.00

### Step 3: Choose Entrapment Protection (required) Devices

*Use Type B1 (non-contact) and/or Type B2 (contact) entrapment protection devices to protect all areas where the risk of entrapment exist - see pages 46 – 47.*

**Operator will not run without entrapment protection device(s) connected to the controller board. See installation manual for more information.**

### Loops and Loop Detectors

*See page 48 for a complete list of all loop detectors, prefabricated loops and loop accessories available.*

### Surge Suppression

1879-080 High Voltage (120 VAC).....	204.00
--------------------------------------	--------

### Accessories

8060-082 RF Kit (Receiver + MicroPlus TX (1) .....	254.00
1601-154 Heater Kit 120 VAC <sup>1</sup> .....	630.00
1601-197 Heater Kit 208 / 230 VAC <sup>1</sup> .....	1316.00
1601-198 Heater Kit 460 VAC <sup>1</sup> .....	1316.00

*1. Heater turns on when temperature falls below 40°F (4.4°C).*

### Backup Power Inverters

1000-083 1000 Watt, Pure Sine Wave .....	2872.00
1000-045 Inverter Post Mount Kit.....	560.00

*See page 50 for more information.*

### Bi-Parting (Dual) Gate Interconnection Cable

2600-755 30-Ft. (9.1 m) .....	322.00
2600-756 40-Ft. (12.2 m) .....	384.00
2600-757 50-Ft. (15.2 m) .....	474.00
2600-754 500-Ft. (152.4 m).....	4806.00

### Flange Bearing Hinge

1200-009 3000 Lb. (1360 kg) Weight Capacity .....	198.00
---	--------

*Includes mounting bracket and hardware, two required per gate (top, bottom), designed for use with 2" (50.8 mm) gate frame.*

### Sealed Bearing Hinge

1200-019 2000 Lb. (907 kg) Weight Capacity .....	198.00
1200-039 3000 Lb. (1360 kg) Weight Capacity .....	236.00

*Includes mounting bracket and hardware, two required per gate (top, bottom), designed for use with round or square gate frames.*

### Uphill Arm Pivot Assembly

6500-490 .....	312.00
----------------	--------

*Use with 1203-084 Torsion Rod Assembly.*

### Torsion Rod Assembly

1203-084 .....	454.00
2600-299 Additional Torsion Rods .....	160.00

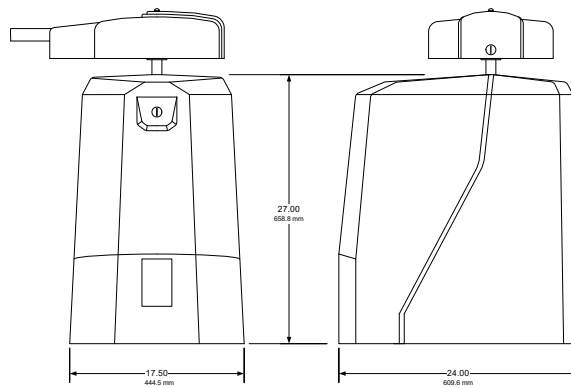
*Counter-balances uphill swing gates, includes top bracket, bottom bracket and one (1) torsion rod. Up to five (5) additional torsion rods can be added.*

## 6500 Swing Gate Operators

### Adjustable Limit Swing Gate Operators

#### 6500

- Adjustable Magnetic Limits
- Type A inherent reverse system
- Plug-in Loop Detector Ports
- Gate Tracker Data Output
- Built-in power and reset switches
- Polypropylene cover
- Galvanized steel frame
- Opens gate 90° in approximately 16 sec.
- Magnetic lock output
- Overlap feature for bi-parting gates



Model	Maximum Gate Weight	Maximum Gate Length	Mount	Class of Operation <sup>1</sup>	Voltage <sup>2</sup>	HP	Power Outlets	Maximum Cycles / Day	Loop Ports <sup>3</sup>	Adjustable Clutch
6500	700 Lbs 317 KG	18 Ft 5.48 m	Pad	I, II, III, IV	115 208 230 460 575 VAC	1/2	2	Continuous	2	No
6500	800 Lbs 362 KG	22 Ft 6.70 m	Pad	I, II, III, IV	115 208 230 460 575 VAC	1	2	Continuous	2	No

1. I = Residential; II = Commercial; III = Limited Access; IV = Restricted Access
2. High voltage kit (P/N 2600-266) required for 208 Volt and higher.
3. Plug-in loop detector ports; open and reverse. DoorKing plug-in loop detectors only.

## 6500 Swing Gate Operators

## Adjustable Limit Swing Gate Operators

### Step 1: Choose an Operator or Operator Set

6500-380 Primary ½ HP .....	5496.00
6500-381 Secondary ½ HP .....	5102.00
<i>Secondary operator includes 50 feet (15.2 m) of interconnection cable.</i>	

6500-384 Primary 1 HP .....	6152.00
6500-385 Secondary 1 HP .....	5760.00
<i>Secondary operator includes 50 feet (15.2 m) of interconnection cable.</i>	

### High Voltage Kit

2600-266.....	834.00
<i>Allows the operator to be powered from 208, 230, 460 or 575 VAC source voltage. In dual gate applications, only one (1) kit is required.</i>	

### Step 2: Choose Entrapment Protection (required) Devices

*Use Type B1 (non-contact) and/or Type B2 (contact) entrapment protection devices to protect all areas where the risk of entrapment exist - see pages 46 – 47.*

**Operator will not run without entrapment protection device(s) connected to the controller board. See installation manual for more information.**

### Loops and Loop Detectors

*See page 48 for a complete list of all loop detectors, prefabricated loops and loop accessories available.*

### Surge Suppression

1879-080 High Voltage (120 VAC).....	204.00
--------------------------------------	--------

### Accessories

8060-082 RF Kit (Receiver + MicroPlus TX (1) .....	254.00
6500-480 Heater Kit 120 VAC <sup>1</sup> .....	720.00
<i>1. Heater turns on when temperature falls below 40°F (4.4°C). This heater kit cannot be used if the operator is powered from the 2600-266 high voltage kit.</i>	

### Backup Power Inverters

1000-083 1000 Watt, Pure Sine Wave .....	2872.00
1000-045 Inverter Post Mount Kit.....	560.00
<i>See page 50 for more information.</i>	

### Bi-Parting (Dual) Gate Interconnection Cable

2600-755 30-Ft. (9.1 m) .....	322.00
2600-756 40-Ft. (12.2 m) .....	384.00
2600-757 50-Ft. (15.2 m) .....	474.00
2600-754 500-Ft. (152.4 m).....	4806.00

### Flange Bearing Hinge

1200-009 3000 Lb. (1360 kg) Weight Capacity .....	198.00
<i>Includes mounting bracket and hardware, two required per gate (top, bottom), designed for use with 2" (50.8 mm) gate frame.</i>	

### Sealed Bearing Hinge

1200-019 2000 Lb. (907 kg) Weight Capacity .....	198.00
1200-039 3000 Lb. (1360 kg) Weight Capacity .....	236.00
<i>Includes mounting bracket and hardware, two required per gate (top, bottom), designed for use with round or square gate frames.</i>	

### Uphill Arm Pivot Assembly

6500-490 .....	312.00
<i>Use with 1203-084 Torsion Rod Assembly.</i>	

### Torsion Rod Assembly

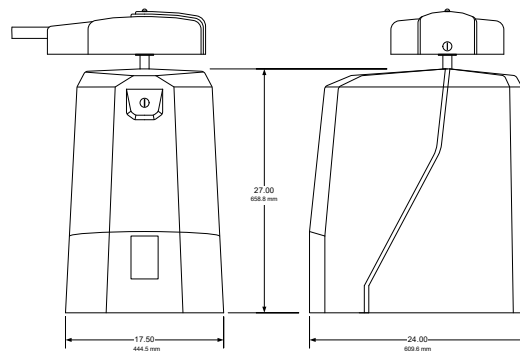
1203-084 .....	454.00
2600-299 Additional Torsion Rods .....	160.00
<i>Counter-balances uphill swing gates, includes top bracket, bottom bracket and one (1) torsion rod. Up to five (5) additional torsion rods can be added.</i>	

## 6524 DC Swing Gate Operator

## Adjustable Limit Swing Gate Operator

### 6524

- Input 115/230 VAC or 24 VDC (Solar)
- Adjustable Magnetic Limits
- Plug-in Loop Detector Ports
- Gate Tracker Data Output
- Built-in power and reset switches
- Polypropylene cover
- Built-in Battery Backup
- Galvanized steel frame
- Opens gate 90° in approximately 16 sec.
- Magnetic lock output
- Overlap feature for bi-parting gates



Model	Maximum Gate Weight	Maximum Gate Length	Mount	Class of Operation <sup>1</sup>	Voltage	HP	Power Outlets	Maximum Cycles / Day	Loop Ports <sup>2</sup>	Adjustable Clutch
6524	800 Lbs 362 KG	16 Ft 4.88 m	Pad	I, II, III, IV	115/230 VAC	1/2	2	Continuous <sup>3</sup>	2	No
6524 <sup>5</sup>	800 Lbs 362 KG	16 Ft 4.88 m	Pad	I, II, III, IV	24 VDC (Solar)	1/2	0	Up to 150 <sup>4</sup>	2	No

1. I = Residential; II = Commercial; III = Limited Access; IV = Restricted Access
2. Plug-in loop detector ports; open and reverse. DoorKing plug-in loop detectors only.
3. Continuous operation is when AC power is present. Operation on battery backup (7.5 Ah batteries) is limited to approximately 40 cycles.
4. Up to 150 cycles with 18 Ah batteries. Actual number of cycles will vary depending on usage, accessories connected, gate weight, operating condition of gate, temperature and charge state of the batteries. Charge state of batteries is affected by geographical location of the product when using solar to recharge the batteries.
5. Solar powered operators will not support bi-parting (dual) gate operation.

## 6524 DC Swing Gate Operators

### Adjustable Limit Swing Gate Operator

#### Step 1: Choose an Operator

6524-380 115/230 VAC ..... 5064.00  
*Includes two 7.5 Ah batteries for limited backup operation.  
 Includes 50 feet (15 m) of RS 485 interconnection cable for bi-parting (dual) gate operation.*

6524-381 24 VDC (Solar) ..... 4928.00  
*24 VDC solar input power only (supply your own batteries and solar charging system or use DKS solar kit).  
 Solar powered operators will not support bi-parting (dual) gate operation.*

#### Step 2: Choose Entrapment Protection (required) Devices

*Use Type B1 (non-contact) and/or Type B2 (contact) entrapment protection devices to protect all areas where the risk of entrapment exist - see pages 46 – 47.*

**Operator will not run without entrapment protection device(s) connected to the controller board. See installation manual for more information.**

#### Battery / Solar Options

1801-004 12-Volt, 18 Ah Battery<sup>1</sup> ..... 282.00  
 2000-077 24-Volt, 10 Watt Solar Panel ..... 474.00  
 2000-070 Solar Kit<sup>2</sup> ..... 1108.00  
 1. Two required for 24 Volt operation.  
 2. Kit includes two (2) 18 Ah batteries, 10 Watt solar panel and bracket.

#### Loops and Loop Detectors

*See page 48 for a complete list of all loop detectors, prefabricated loops and loop accessories available.*

#### Surge Suppression

1879-080 High Voltage (120 VAC) ..... 204.00

#### Accessories

8060-082 RF Kit (Receiver + MicroPlus TX (1) ..... 254.00  
 6500-480 Heater Kit 120 VAC<sup>1</sup> ..... 720.00  
 1. Heater turns on when temperature falls below 40°F (4.4°C). This heater kit cannot be used if the operator is powered from the 2600-266 high voltage kit.

#### Backup Power Inverters

1000-083 1000 Watt, Pure Sine Wave ..... 2872.00  
 1000-045 Inverter Post Mount Kit ..... 560.00  
*See page 50 for more information.*

#### Bi-Parting (Dual) Gate Interconnection Cable RS 485

9024-136 50-Ft. (15 m) ..... 54.68

#### Flange Bearing Hinge

1200-009 3000 Lb. (1360 kg) Weight Capacity ..... 198.00  
*Includes mounting bracket and hardware, two required per gate (top, bottom), designed for use with 2" (50.8 mm) gate frame.*

#### Sealed Bearing Hinge

1200-019 2000 Lb. (907 kg) Weight Capacity ..... 198.00  
 1200-039 3000 Lb. (1360 kg) Weight Capacity ..... 236.00  
*Includes mounting bracket and hardware, two required per gate (top, bottom), designed for use with round or square gate frames.*

#### Uphill Arm Pivot Assembly

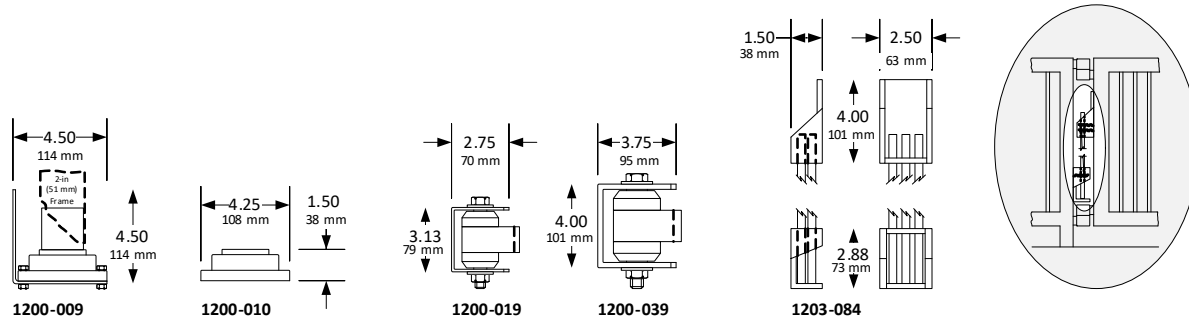
6500-490 ..... 312.00  
*Use with 1203-084 Torsion Rod Assembly.*

#### Torsion Rod Assembly

1203-084 ..... 454.00  
 2600-299 Additional Torsion Rods ..... 160.00  
*Counter-balances uphill swing gates, includes top bracket, bottom bracket and one (1) torsion rod. Up to five (5) additional torsion rods can be added.*

## Swing Gate Accessories

### Hinges, Torsion Rod Counter-Balance



#### Flange Bearing Hinge

1200-009 3000 Lb. (1360 Kg) weight capacity .....198.00  
 1200-010 Replacement bearing.....124.00

- Designed for use with 2 inch (51 mm) gate frame.
- Includes mounting bracket and hardware.
- Zert grease fitting.
- Two required (top, bottom) per gate.

#### Sealed Bearing Hinge

1200-019 2000 Lb. (907 Kg) weight capacity .....198.00  
 1200-039 3000 Lb. (1360 Kg) weight capacity .....236.00

- Designed for use with round or square gate frame.
- Includes mounting bracket and hardware.
- Two required (top, bottom) per gate.

#### Torsion Rod Counter-Balance Assembly

1203-084<sup>1</sup> Torsion Rod Assembly .....454.00  
 2600-299<sup>2</sup> Torsion Rods .....160.00

1. Includes one (1) 2600-299 torsion rod.
2. Up to five (5) additional rods can be added to the 1203-084 assembly.



## Swing Gate Operator Parts & Accessories

### Miscellaneous Parts & Accessories

#### Smart Gate Controller

1800-500..... 158.00

Allows control of the gate operator from your smartphone. Requires a WiFi connection and the Smart Connect App (available from the App Store and Google Play). Compatible with Alexa, Google Home and Siri. Maximum 20 users.

#### Circuit Boards

4100-018 .....708.00

Used in model 6524

4302-018 .....782.00

Used in models 6006, 6004 and 6400

4405-018 .....830.00

Used in model 6500, 6550

4502-018 .....830.00

Used in models 6050, 6100 and 6300

#### Base Plate, Mounting Pipes, Pivot Arm

2600-664 Concrete Base Plate ..... 480.00

Use to mount the 6050 or 6100 post mount operators onto an existing concrete pad

6500-490 Uphill Arm Pivot Assembly ..... 312.00

Use with 6050, 6100, 6300 and 6500 operators when the gate opens on an uphill or downhill slope. Should be used with 1203-084 Torsion Rod Assembly.

6550-490 Uphill Arm Pivot Assembly ..... 312.00

Use with 6550 operator when the gate opens on an uphill or downhill slope. Should be used with 1203-084 Torsion Rod Assembly.

#### Bi-Parting Connection Cable

2600-754 Primary / Secondary Cable ..... 4806.00

500-ft (152.4 m) roll

#### Batteries

1801-009 Battery ..... 120.00

12 Volt, 3.5 Amp Hour

1801-004 Battery ..... 282.00

12 Volt, 18 Amp Hour

1801-005 Battery ..... 362.00

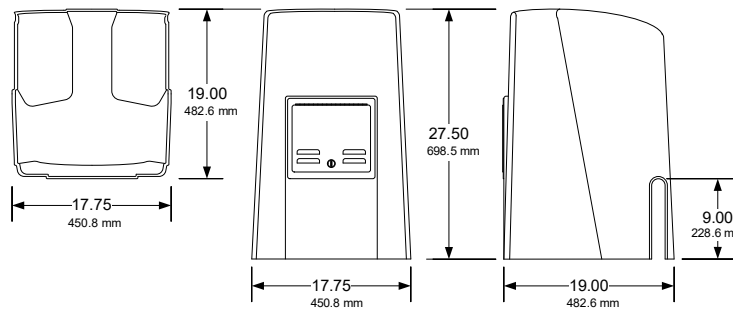
12 Volt, 35 Amp Hour

## 9000 Slide Gate Operators

### Adjustable Limit Slide Gate Operator

#### 9000

- Adjustable Limits
- Plug-in Loop Detector Ports
- Built-in power and reset switches
- Two 115 VAC convenience outlets
- Selectable stop/ reverse function
- 30:1 Gear Reducer Drive Train
- Steel frame
- Polypropylene cover
- 20-Feet (6 m) #40 Nickel Plated Chain
- Gate tracker data output



Model	Maximum Gate Weight	Maximum Gate Length	Mount	Class of Operation <sup>1</sup>	Voltage <sup>2</sup>	HP	Power Outlets	Maximum Cycles / Day	Loop Ports <sup>3</sup>	Adjustable Clutch
9000	1000 Lbs 453 KG	35 Ft 10.7 m	Pad or Post <sup>4</sup>	I, II	115 208 230 460 575 VAC	1/2	2	Continuous	2	No
9000	1500 Lbs 680 KG	35 Ft 10.7 m	Pad or Post <sup>3</sup>	I, II, III, IV	115 208 230 460 575 VAC	1	2	Continuous	2	No

1. I = Residential; II = Commercial; III = Limited Access; IV = Restricted Access.
2. High voltage kit (P/N 2600-266) required for 208 Volt and higher.
3. Plug-in loop detector ports; open and reverse. DoorKing plug-in loop detectors only.
3. Requires post mounting kit.

## 9000 Slide Gate Operators

## Adjustable Limit Slide Gate Operator

### Choose an Operator

9000-380 ½ HP Primary 115 VAC .....	4718.00
9000-381 ½ HP Secondary 115 VAC .....	3934.00
9000-385 1 HP Primary 115 VAC .....	5552.00
9000-386 1 HP Secondary 115 VAC .....	4614.00

### High Voltage

2600-266 High Voltage Kit .....	834.00
---------------------------------	--------

*Allows the operator to be powered from 208, 230, 460 or 575 VAC source voltage.*

### Choose Entrapment Protection (required) Devices

*Use Type B1 (non-contact) and/or Type B2 (contact) entrapment protection devices to protect all areas where the risk of entrapment exist - see pages 46 – 47.*

**Operator will not run without entrapment protection devices connected to the controller board. Minimum of two (one in each direction of travel) is required. See installation manual for more information.**

### Loops and Loop Detectors

*See page 48 for a complete list of all loop detectors, prefabricated loops and loop accessories available.*

### Surge Suppression

1879-080 High Voltage (120 VAC) .....	204.00
---------------------------------------	--------

### Accessories

8060-082 RF Kit (Receiver + MicroPlus TX (1) .....	254.00
9000-015 Post Mount Kit <sup>1</sup> .....	1510.00
9000-014 Post Mount Base Plate .....	950.00
2600-961 Chain Link Fence Gate Bracket .....	146.00
1601-154 Heater Kit 120 VAC <sup>2</sup> .....	630.00
1601-197 Heater Kit 208/230 VAC <sup>2</sup> .....	1316.00
1601-198 Heater Kit 480 VAC <sup>2</sup> .....	1316.00

*1. Includes base plate, mounting posts and hardware.*

*2. Heater turns on when temperature falls below 40°F (4.4°C).*

### Chain

2600-442 #40 Chain, Nickel Plated, 20-Ft (6 m) .....	204.00
2600-818 Chain Idler Assembly <sup>1</sup> .....	134.00

*1. Use with rear-mounted operators.*

### Backup Power Inverters

1000-083 1000 Watt, Pure Sine Wave .....	2872.00
1000-045 Inverter Post Mount Kit .....	560.00

*See page 50 for more information.*

### Bi-Parting (Dual) Gate Interconnection Cable

2600-755 30-Ft. (9.1 m) .....	322.00
2600-756 40-Ft. (12.2 m) .....	384.00
2600-757 50-Ft. (15.2 m) .....	474.00
2600-754 500-Ft. (152.4 m) .....	4806.00

### Guarded Guide Rollers & Bracket Assembly

1204-120 Single 3-in (76.2 mm) .....	110.00
1204-122 Dual 3-in (76.2 mm) .....	212.00
1204-121 Single 6-in (152.4 mm) .....	134.00
1204-123 Dual 6-in (152.4 mm) .....	256.00
1204-005 Replacement Roller 3-in (76.2 mm) .....	23.50

*See page 43 for more information.*

### V-Wheels - Max Gate Weight

1201-102 UHMW 4-in (101.6 mm) 500 lb. (227 kg) .....	110.00
1201-105 UHMW 4-in (101.6 mm) 750 lb. (340 kg) .....	140.00
1201-117 Steel 4-in (101.6 mm) 1500 lb. (680 kg) .....	230.00

*See page 42 for more information.*

### V-Wheels Tandem – Max Gate Weight

1201-012 UHMW 4-in (101.6 mm) 1500 lb. (680 kg) ...	450.00
1201-010 Steel 4-in (101.6 mm) 3000 lb. (1360 kg) .....	658.00
1201-210 Steel 6-in (152.4 mm) 5000 lb. (2268 kg) .....	772.00

*See page 42 for more information.*

### End Catch

1204-004 .....	83.56
----------------	-------

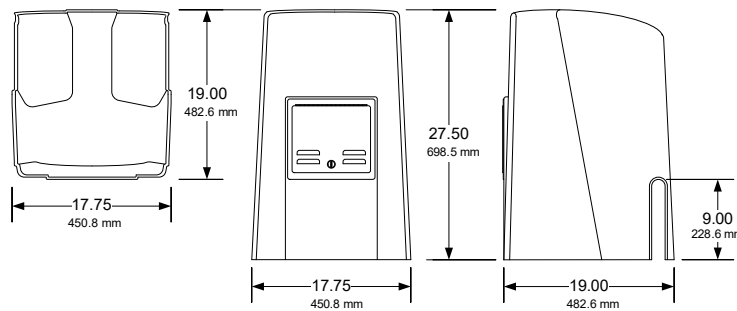
*Designed for gates with 2-inch (50.8 mm) frame.*

## 9024 DC Slide Gate Operator

## Adjustable Limit Slide Gate Operator

### 9024

- Input 115/230 VAC or 24 VDC (Solar)
- Adjustable Limits
- Plug-in Loop Detector Ports
- Gate Tracker Data Output
- Built-in power and reset switches
- 20-Foot (6 m) #40 Nickel Plated Chain
- Polypropylene cover
- 30:1 Gear Reducer Drive Train
- Built-in Battery Backup
- Galvanized steel frame
- Magnetic lock output
- Overlap feature for bi-parting gates



Model	Maximum Gate Weight	Maximum Gate Length	Mount	Class of Operation <sup>1</sup>	Voltage	HP	Power Outlets	Maximum Cycles / Day	Loop Ports <sup>2</sup>	Adjustable Clutch
9024	1000 Lbs 453 KG	40 Ft 12.2 m	Pad or Post <sup>5</sup>	I, II, III, IV	115/230 VAC	1/2	2	Continuous <sup>3</sup>	2	No
9024 <sup>6</sup>	1000 Lbs 453 KG	40 Ft 12.2 m	Pad or Post <sup>5</sup>	I, II, III, IV	24 VDC (Solar)	1/2	0	Up to 150 <sup>4</sup>	2	No

1. I = Residential; II = Commercial; III = Limited Access; IV = Restricted Access
2. Plug-in loop detector ports; open and reverse. DoorKing plug-in loop detectors only.
3. Continuous operation is when AC power is present. Operation on battery backup (7.5 Ah batteries) is limited to approximately 40 cycles.
4. Up to 150 cycles with 18 Ah batteries. Actual number of cycles will vary depending on usage, accessories connected, gate weight, operating condition of gate, temperature and charge state of the batteries. Charge state of batteries is affected by geographical location of the product when using solar to recharge the batteries.
5. Requires post mounting kit.
6. Solar powered operators will not support bi-parting (dual) gate operation.

## 9024 DC Slide Gate Operator

## Adjustable Limit Slide Gate Operator

### Choose an Operator

9024-380 115/230 VAC ..... 4928.00

*Includes two 7.5 Ah batteries for limited backup operation.*

*Includes 50 feet (15 m) of RS 485 interconnection cable for bi-parting (dual) gate operation.*

9024-381 24 VDC (Solar) ..... 4830.00

*24 VDC solar input power only (supply your own batteries and solar charging system or use DKS solar kit).*

*Solar powered operators will not support bi-parting (dual) gate operation.*

### Choose Entrapment Protection (required) Devices

*Use Type B1 (non-contact) and/or Type B2 (contact) entrapment protection devices to protect all areas where the risk of entrapment exist - see pages 46 – 47.*

**Operator will not run without entrapment protection devices connected to the controller board. Minimum of two (one in each direction of travel) is required. See installation manual for more information.**

### Battery / Solar Options

1801-004 12-Volt, 18 Ah Battery<sup>1</sup> ..... 282.00

2000-077 24-Volt, 10 Watt Solar Panel ..... 474.00

2000-070 Solar Kit<sup>2</sup> ..... 1108.00

1. Two required for 24 Volt operation.

2. Kit includes two (2) 18 Ah batteries, 10 Watt solar panel and bracket.

### Loops and Loop Detectors

*See page 48 for a complete list of all loop detectors, prefabricated loops and loop accessories available.*

### Surge Suppression

1879-080 High Voltage (120 VAC) ..... 204.00

### Accessories

8060-082 RF Kit (Receiver + MicroPlus TX (1) ..... 254.00

9000-015 Post Mount Kit<sup>1</sup> ..... 1510.00

9000-014 Post Mount Base Plate ..... 950.00

2600-961 Chain Link Fence Gate Bracket ..... 146.00

1601-154 Heater Kit 120 VAC<sup>2</sup> ..... 630.00

1601-197 Heater Kit 208/230 VAC<sup>2</sup> ..... 1316.00

1. Includes base plate, mounting posts and hardware.

2. Heater turns on when temperature falls below 40°F (4.4°C).

### Backup Power Inverters

1000-083 1000 Watt, Pure Sine Wave ..... 2872.00

1000-045 Inverter Post Mount Kit ..... 560.00

*See page 50 for more information.*

### Bi-Parting (Dual) Gate Interconnection Cable RS 485

9024-136 50-Ft. (15 m) ..... 54.68

### Guarded Guide Rollers & Bracket Assembly

1204-120 Single 3-in (76.2 mm) ..... 110.00

1204-122 Dual 3-in (76.2 mm) ..... 212.00

1204-121 Single 6-in (152.4 mm) ..... 134.00

1204-123 Dual 6-in (152.4 mm) ..... 256.00

1204-005 Replacement Roller 3-in (76.2 mm) ..... 23.50

*See page 43 for more information.*

### V-Wheels - Max Gate Weight

1201-102 UHMW 4-in (101.6 mm) 500 lb. (227 kg) ..... 110.00

1201-105 UHMW 4-in (101.6 mm) 750 lb. (340 kg) ..... 140.00

1201-117 Steel 4-in (101.6 mm) 1500 lb. (680 kg) ..... 230.00

*See page 42 for more information.*

### V-Wheels Tandem – Max Gate Weight

1201-012 UHMW 4-in (101.6 mm) 1500 lb. (680 kg) ... 450.00

1201-010 Steel 4-in (101.6 mm) 3000 lb. (1360 kg) ..... 658.00

1201-210 Steel 6-in (152.4 mm) 5000 lb. (2268 kg) ..... 772.00

*See page 42 for more information.*

### Chain

2600-442 #40 Chain, Nickel Plated, 20-Ft (6 m) ..... 204.00

2600-818 Chain Idler Assembly<sup>1</sup> ..... 134.00

1. Use with rear-mounted operators.

### End Catch

1204-004 ..... 83.56

*Designed for gates with 2-inch (50.8 mm) frame.*

## 9050 / 9100 Slide Gate Operators

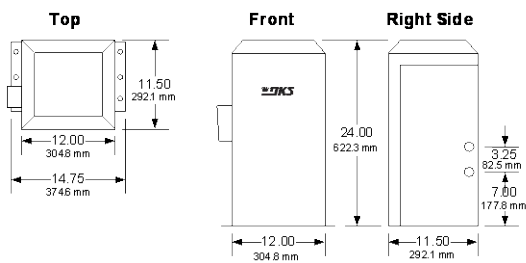
### Automatic Magnetic Limits

#### 9050 / 9100

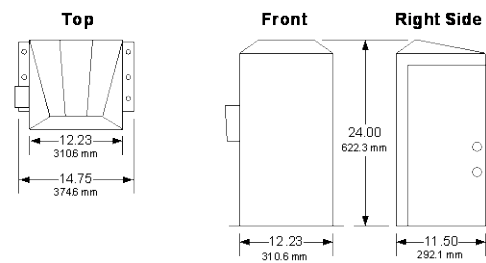
- Self-Adjusting Magnetic Limits
- Built-in clutch
- Plug-in Loop Detector Ports
- Built-in power and reset switches
- Two 115 VAC convenience outlets
- Fail-Safe Configuration

#### 9100

- G90 Galvanized steel frame
- Steel or Polypropylene (Poly) cover
- 20-Foot (6 m) #40 Nickel Plated Chain
- Gate tracker data output (9100 only)
- Selectable stop/ reverse function (9100 only)
- Partial open / anti-tailgate feature (9100 only)



**Metal Cover**



**Polypropylene Cover**

Model	Maximum Gate Weight	Maximum Gate Length	Mount	Class of Operation <sup>1</sup>	Voltage	HP	Power Outlets	Maximum Cycles / Day	Loop Ports <sup>2</sup>	Adjustable Clutch <sup>3</sup>
9050	500 Lbs 227 KG	16 Ft 4.88 m	Pad or Post <sup>4</sup>	I	115 VAC	1/2 <sup>5</sup>	2	100	2	Yes
9100	1000 Lbs 453 KG	30 Ft 9.14 m	Pad or Post <sup>4</sup>	I, II, III, IV	115 VAC	1/2	2	Continuous	2	Yes

1. I = Residential; II = Commercial; III = Limited Access; IV = Restricted Access
2. Plug-in loop detector ports; open and reverse. DoorKing plug-in loop detectors only.
3. Clutch is not applicable as an entrapment protection device.
4. Requires post mount steel base plate.
5. This is an intermittent duty cycle motor.

# 9050 / 9100 Slide Gate Operators

## Automatic Magnetic Limits

### Choose an Operator

9050-380 ½ HP Metal Cover .....	2946.00
9050-385 ½ HP Poly Cover <sup>1</sup> .....	2806.00
9100-380 ½ HP Metal Cover .....	3762.00
9100-385 ½ HP Poly Cover <sup>1</sup> .....	3762.00

1. Includes 8060-082 RF Kit.

### Choose Entrapment Protection (required) Devices

Use Type B1 (non-contact) and/or Type B2 (contact) entrapment protection devices to protect all areas where the risk of entrapment exist - see pages 46 – 47.

**Operator will not run without entrapment protection devices connected to the controller board. Minimum of two (one in each direction of travel) is required. See installation manual for more information.**

### Loops and Loop Detectors

See page 48 for a complete list of all loop detectors, prefabricated loops and loop accessories available.

### Surge Suppression

1879-080 High Voltage (120 VAC).....	204.00
--------------------------------------	--------

### Accessories

8060-082 RF Kit (Receiver + MicroPlus TX (1) .....	254.00
2600-418 Steel Base Plate for 9050/9100.....	118.00
2600-970 Base Plate Stop Bracket <sup>1</sup> .....	78.36
2600-865 Fail-Secure Lock Kit <sup>2</sup> .....	50.16
2600-961 Chain Link Fence Gate Bracket.....	146.00
1601-154 Heater Kit 120 VAC <sup>3</sup> .....	630.00
1601-197 Heater Kit 208/230 VAC <sup>3</sup> .....	1316.00
1601-198 Heater Kit 480 VAC <sup>3</sup> .....	1316.00

1. Use with 2600-418 and 2600-495 base plates.
2. Operators come standard in a Fail-Safe configuration.
3. Heater turns on when temperature falls below 40°F (4.4°C).

### Chain

2600-442 #40 Chain, Nickel Plated, 20-Ft (6 m).....	204.00
2600-271 Chain Stop #40, #41 Chain .....	39.20
2600-818 Chain Idler Assembly <sup>1</sup> .....	134.00

1. Use with rear-mounted operators.

### Backup Power Inverters

1000-083 1000 Watt, Pure Sine Wave .....	2872.00
1000-045 Inverter Post Mount Kit .....	560.00

See page 50 for more information.

### Bi-Parting (Dual) Gate Interconnection Cable

2600-755 30-Ft. (9.1 m) .....	322.00
2600-756 40-Ft. (12.2 m) .....	384.00
2600-757 50-Ft. (15.2 m) .....	474.00
2600-754 500-Ft. (152.4 m) .....	4806.00

### Guarded Guide Rollers & Bracket Assembly

1204-120 Single 3-in (76.2 mm).....	110.00
1204-122 Dual 3-in (76.2 mm) .....	212.00
1204-121 Single 6-in (152.4 mm).....	134.00
1204-123 Dual 6-in (152.4 mm) .....	256.00
1204-005 Replacement Roller 3-in (76.2 mm) .....	23.50

See page 43 for more information.

### V-Wheels - Max Gate Weight

1201-102 UHMW 4-in (101.6 mm) 500 lb. (227 kg) .....	110.00
1201-105 UHMW 4-in (101.6 mm) 750 lb. (340 kg) .....	140.00
1201-117 Steel 4-in (101.6 mm) 1500 lb. (680 kg) .....	230.00

See page 42 for more information.

### V-Wheels Tandem – Max Gate Weight

1201-012 UHMW 4-in (101.6 mm) 1500 lb. (680 kg) ...	450.00
1201-010 Steel 4-in (101.6 mm) 3000 lb. (1360 kg) .....	658.00
1201-210 Steel 6-in (152.4 mm) 5000 lb. (2268 kg) .....	772.00

See page 42 for more information.

### End Catch

1204-004.....	83.56
---------------	-------

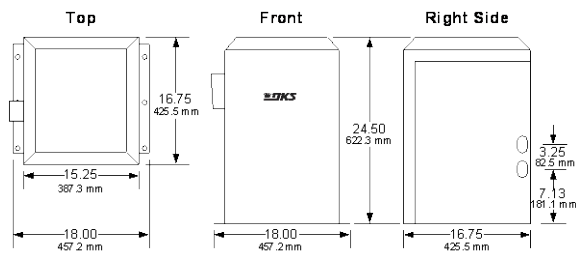
Designed for gates with 2-inch (50.8 mm) frame.

## 9150 Slide Gate Operators

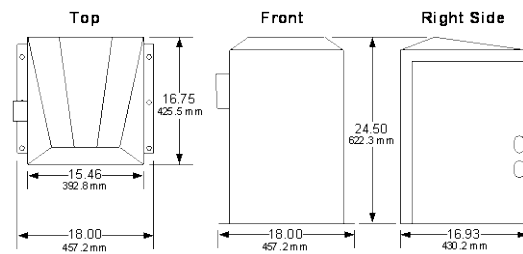
### Automatic Magnetic Limits

#### 9150

- Self-Adjusting Magnetic Limits
- Built-in clutch
- Plug-in Loop Detector Ports
- Built-in power and reset switches
- Two 115 VAC convenience outlets
- Fail-Safe Configuration
- G90 Galvanized steel frame
- Steel or Polypropylene (Poly) cover
- 20-Foot (6 m) #40 Nickel Plated Chain
- Gate tracker data output
- Selectable stop/ reverse function
- Partial open / anti-tailgate feature



Metal Cover



Polypropylene Cover

Model	Maximum Gate Weight	Maximum Gate Length	Mount	Class of Operation <sup>1</sup>	Voltage <sup>2</sup>	HP	Power Outlets	Maximum Cycles / Day	Loop Ports <sup>3</sup>	Adjustable Clutch <sup>4</sup>
9150	1000 Lbs 454 KG	30 Ft 9.14 m	Pad or Post <sup>5</sup>	I, II, III, IV	115 208 230 460 575 VAC	1/2	2	Continuous	2	Yes
9150	1500 Lbs 680 KG	45 Ft 13.7 m	Pad or Post <sup>5</sup>	I, II, III, IV	115 208 230 460 575 VAC	1	2	Continuous	2	Yes

1. I = Residential; II = Commercial; III = Limited Access; IV = Restricted Access.
2. High voltage kit (P/N 2600-266) required for 208 Volt and higher.
3. Plug-in loop detector ports; open and reverse. DoorKing plug-in loop detectors only.
4. Clutch is not applicable as an entrapment protection device.
5. Requires post mount steel base plate.



# 9150 Slide Gate Operators

## Automatic Magnetic Limits

### Choose an Operator

9150-384 ½ HP Metal Cover .....	4026.00
9150-386 ½ HP Poly Cover <sup>1</sup> .....	4026.00
9150-380 1 HP Metal Cover .....	4858.00
9150-385 1 HP Poly Cover <sup>1</sup> .....	4858.00

1. Includes 8060-082 RF Kit.

### High Voltage

2600-266 High Voltage Kit .....	834.00
---------------------------------	--------

Allows the operator to be powered from 208, 230, 460 or 575 VAC source voltage.

### Choose Entrapment Protection (required) Devices

Use Type B1 (non-contact) and/or Type B2 (contact) entrapment protection devices to protect all areas where the risk of entrapment exist - see pages 46 – 47.

**Operator will not run without entrapment protection devices connected to the controller board. Minimum of two (one in each direction of travel) is required. See installation manual for more information.**

### Loops and Loop Detectors

See page 48 for a complete list of all loop detectors, prefabricated loops and loop accessories available.

### Surge Suppression

1879-080 High Voltage (120 VAC) .....	204.00
---------------------------------------	--------

### Accessories

8060-082 RF Kit (Receiver + MicroPlus TX (1) .....	254.00
2600-495 Steel Base Plate for 9150 .....	220.00
2600-970 Base Plate Stop Bracket <sup>1</sup> .....	78.36
2600-865 Fail-Secure Lock Kit <sup>2</sup> .....	50.16
2600-961 Chain Link Fence Gate Bracket .....	146.00
1601-154 Heater Kit 120 VAC <sup>3</sup> .....	630.00
1601-197 Heater Kit 208/230 VAC <sup>3</sup> .....	1316.00
1601-198 Heater Kit 480 VAC <sup>3</sup> .....	1316.00

1. Use with 2600-418 and 2600-495 base plates.
2. Operators come standard in a Fail-Safe configuration.
3. Heater turns on when temperature falls below 40°F (4.4°C).

### Backup Power Inverters

1000-083 1000 Watt, Pure Sine Wave .....	2872.00
1000-045 Inverter Post Mount Kit .....	560.00

See page 50 for more information.

### Bi-Parting (Dual) Gate Interconnection Cable

2600-755 30-Ft. (9.1 m) .....	322.00
2600-756 40-Ft. (12.2 m) .....	384.00
2600-757 50-Ft. (15.2 m) .....	474.00
2600-754 500-Ft. (152.4 m) .....	4806.00

### Guarded Guide Rollers & Bracket Assembly

1204-120 Single 3-in (76.2 mm) .....	110.00
1204-122 Dual 3-in (76.2 mm) .....	212.00
1204-121 Single 6-in (152.4 mm) .....	134.00
1204-123 Dual 6-in (152.4 mm) .....	256.00
1204-005 Replacement Roller 3-in (76.2 mm) .....	23.50

See page 43 for more information.

### V-Wheels - Max Gate Weight

1201-102 UHMW 4-in (101.6 mm) 500 lb. (227 kg) .....	110.00
1201-105 UHMW 4-in (101.6 mm) 750 lb. (340 kg) .....	140.00
1201-117 Steel 4-in (101.6 mm) 1500 lb. (680 kg) .....	230.00

See page 42 for more information.

### V-Wheels Tandem – Max Gate Weight

1201-012 UHMW 4-in (101.6 mm) 1500 lb. (680 kg) ...	450.00
1201-010 Steel 4-in (101.6 mm) 3000 lb. (1360 kg) .....	658.00
1201-210 Steel 6-in (152.4 mm) 5000 lb. (2268 kg) .....	772.00

See page 42 for more information.

### Chain

2600-442 #40 Chain, Nickel Plated, 20-Ft (6 m) .....	204.00
2600-271 Chain Stop #40, #41 Chain .....	39.20
2600-818 Chain Idler Assembly <sup>1</sup> .....	134.00

1. Use with rear-mounted operators.

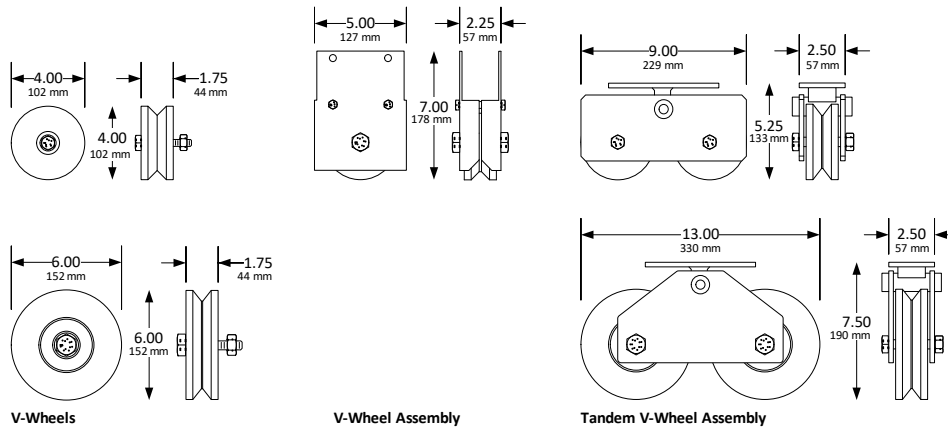
### End Catch

1204-004 .....	83.56
----------------	-------

Designed for gates with 2-inch (50.8 mm) frame.

## Slide Gate Accessories

### V-Wheels

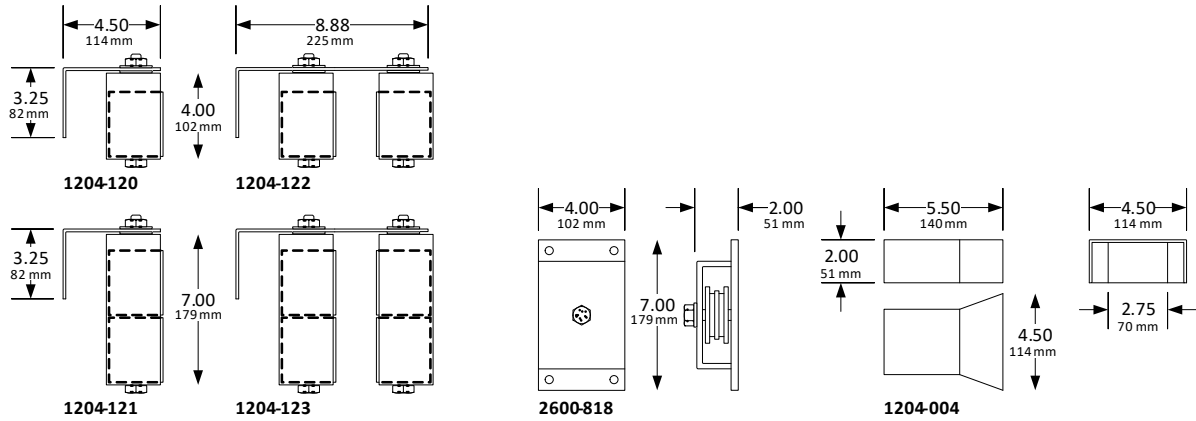


<b>4-Inch (102 mm) V-Wheels</b>	
1201-004 UHMW w/sleeve bearing.....	56.40
<ul style="list-style-type: none"> <li>• 500 Lb. (226 Kg) maximum weight</li> </ul>	
1201-006 UHMW w/sealed bearing .....	78.36
<ul style="list-style-type: none"> <li>• 750 Lb. (340 Kg) maximum weight</li> </ul>	
1201-016 Steel w/sealed bearing .....	154.00
<ul style="list-style-type: none"> <li>• 1500 Lb. (680 Kg) maximum weight</li> </ul>	
<b>4-Inch (102 mm) V-Wheel Assemblies<sup>1</sup></b>	
1201-102 UHMW w/sleeve bearing.....	110.00
<ul style="list-style-type: none"> <li>• 500 Lb. (226 Kg) maximum weight</li> </ul>	
1201-105 UHMW w/sealed bearing .....	140.00
<ul style="list-style-type: none"> <li>• 750 Lb. (340 Kg) maximum weight</li> </ul>	
1201-117 Steel w/sealed bearing .....	230.00
<ul style="list-style-type: none"> <li>• 1500 Lb. (680 Kg) maximum weight</li> </ul>	
1. Assemblies include wheel guarding as required by industry safety standards.	
<b>4-Inch (102 mm) Tandem V-Wheel Assemblies</b>	
1201-012 UHMW w/sealed bearing .....	450.00
<ul style="list-style-type: none"> <li>• 1500 Lb. (680 Kg) maximum weight</li> </ul>	
1201-010 Steel w/sealed bearing .....	658.00
<ul style="list-style-type: none"> <li>• 3000 Lb. (1360 Kg) maximum weight</li> </ul>	

<b>6-Inch (152 mm) V-Wheel</b>	
1201-000 Steel w/sealed bearing.....	276.00
<ul style="list-style-type: none"> <li>• 2500 Lb. (1133 Kg) maximum weight</li> </ul>	
<b>6-Inch (152 mm) Tandem V-Wheel Assembly</b>	
1201-210 Steel w/sealed bearing.....	772.00
<ul style="list-style-type: none"> <li>• 5000 Lb. (2267 Kg) maximum weight</li> </ul>	

## Slide Gate Accessories

### Guide Rollers, Chain Idler, End Catch



<b>3-Inch (76 mm) Guide Roller Assemblies<sup>1</sup></b>	
1204-120 Single .....	110.00
1204-122 Dual .....	212.00
1. Assemblies include roller guarding as required by industry safety standards.	
<b>6-Inch (152 mm) Guide Roller Assemblies<sup>1</sup></b>	
1204-121 Single .....	134.00
1204-123 Dual .....	256.00
1. Assemblies include roller guarding as required by industry safety standards.	
<b>3-Inch (76 mm) Replacement Roller</b>	
1204-005.....	23.50

<b>Chain Idler Assembly</b>	
2600-818.....	134.00
<ul style="list-style-type: none"> <li>Use this with rear-mounted slide gate operators. Works with #40 and #41 chain.</li> </ul>	
<b>End Catch</b>	
1204-004.....	83.56
<ul style="list-style-type: none"> <li>Use with 2-inch (51 mm) gate frame.</li> </ul>	

## Slide Gate Operator Parts & Accessories

### Miscellaneous Parts & Accessories

#### Smart Gate Controller

1800-500 .....158.00

Allows control of the gate operator from your smartphone. Requires a WiFi connection and the Smart Connect App (available from the App Store and Google Play). Compatible with Alexa, Google Home and Siri. Maximum 20 users.

#### Circuit Boards

4100-018 .....708.00

Used in model 9024

4405-018 .....830.00

Used in model 9000

4602-018 .....1020.00

Used in models 9100, 9150

4702-018 .....708.00

Used in models 9050

#### Chain

2600-442 #40 Chain, Nickel Plated – 20 Ft (6 m) .....204.00

2600-271 Chain Stop for #40 and #41 Chain.....39.20

2600-961 Chain Link Fence Gate Bracket.....146.00

#### Base Plates

2600-418 Steel Base Plate .....118.00

Use with 9050 and 9100 operators

2600-495 Steel Base Plate .....440.00

Use with 9150 operator

2600-970 Base Plate Stop Bracket .....78.36

Use with 2600-418 and 2600-495

#### Bi-Parting Connection Cable

2600-755 30-Ft. (9.1 m) .....322.00

2600-756 40-Ft. (12.2 m) .....384.00

2600-757 50-Ft. (15.2 m) .....474.00

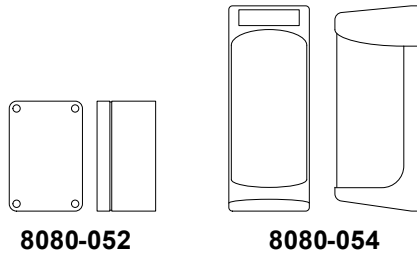
2600-754 500-Ft. (152.4 m) .....4806.00

## **Blank Page**

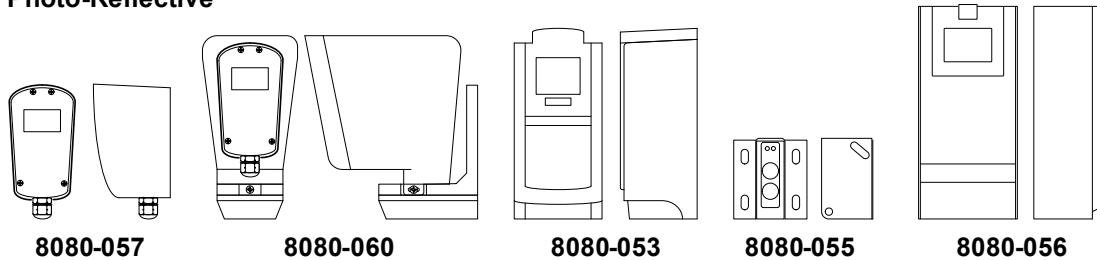
## Entrapment Prevention Devices

### Non-contact Sensors Type B1

#### Thru-Beam



#### Photo-Reflective

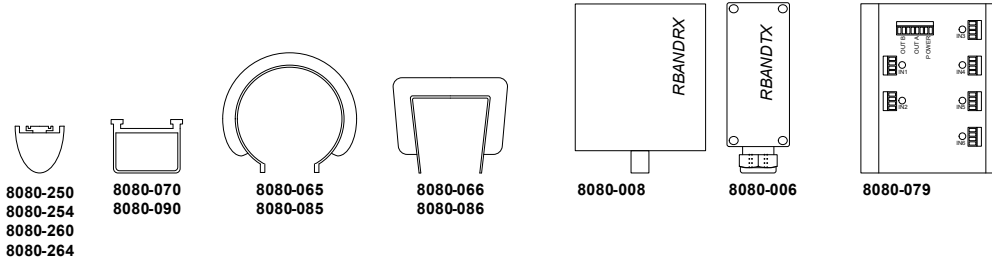


Thru-Beam Devices	
8080-052 (EMX MON) .....	712.00
<ul style="list-style-type: none"> <li>• 115 Ft. (35 m) maximum sensing distance.</li> <li>• 12-24 VAC / 6-35 VDC.</li> <li>• Includes hood.</li> </ul>	
8080-054 (Seco-Larm E960-D90GQ) .....	712.00
<ul style="list-style-type: none"> <li>• 90 Ft. (27 m) maximum sensing distance.</li> <li>• 12-30 VAC / VDC.</li> </ul>	

Photo-Reflective Devices	
8080-057 (DKS) .....	212.00
<ul style="list-style-type: none"> <li>• 35 Ft. (10.6 m) maximum sensing distance.</li> <li>• Receiver 12-24 VAC / VDC.</li> </ul>	
8080-060 (DKS) Deluxe.....	310.00
<ul style="list-style-type: none"> <li>• 35 Ft. (10.6 m) maximum sensing distance.</li> <li>• Receiver 12-24 VAC / VDC.</li> <li>• Deluxe housing simplifies installation.</li> </ul>	
8080-053 (EMX IRB-RET2) .....	656.00
<ul style="list-style-type: none"> <li>• 60 Ft. (18 m) maximum sensing distance.</li> <li>• 12-24 VAC / 6-35 VDC.</li> </ul>	
8080-055 (Seco-Larm E936-S45RRGQ).....	656.00
<ul style="list-style-type: none"> <li>• 45 Ft. (14 m) maximum sensing distance.</li> <li>• 12-30 VAC / VDC.</li> </ul>	
8080-056 (Omron E3K).....	656.00
<ul style="list-style-type: none"> <li>• 33 Ft. (10 m) maximum sensing distance.</li> <li>• 24-240 VAC / VDC.</li> </ul>	

# Entrapment Prevention Devices

## Contact Sensors Type B2

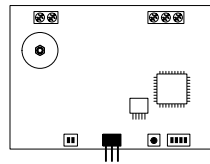


<b>DoorKing Devices</b>	
<b>2-Wire Contact Edge with 10K Termination</b>	
8080-260 6 Ft. (1.8 m) .....	344.00
8080-250 5 Ft. (1.5 m) .....	300.00
<b>4-Wire Contact Edge<sup>1</sup></b>	
8080-264 6 Ft. (1.8 m) .....	344.00
8080-254 5 Ft. (1.5 m) .....	300.00
1. 4-wire edges do not have 10K termination and are designed to be used wired in series with the 2-wire edges.	
<b>Miller Edge Devices</b>	
<b>2-Wire Contact Edge with 10K Termination</b>	
8080-070 5 Ft. (1.5 m) ME123-T2 .....	502.00
8080-065 5 Ft. (1.5 m) MGR20-T2 .....	550.00
8080-066 5 Ft. (1.5 m) MGS20-T2 .....	550.00
<b>4-Wire Contact Edge<sup>1</sup></b>	
8080-090 5 Ft. (1.5 m) ME123 .....	502.00
8080-085 5 Ft. (1.5 m) MGR20 .....	550.00
8080-086 5 Ft. (1.5 m) MGS20 .....	550.00
1. 4-wire edges do not have 10K termination and are designed to be used wired in series with the 2-wire T2 edges.	

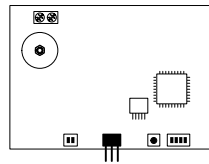
<b>Contact Sensor Accessories</b>	
8080-079 Multiple Input Module (MIM 62) .....	1394.00
<ul style="list-style-type: none"> <li>Monitors up to six (6) external contact edges.</li> </ul>	
8080-008 Wireless Monitored Link (RB-G-K10) <sup>1</sup> .....	686.00
<ul style="list-style-type: none"> <li>Receiver: 12-24 VAC / VDC.</li> <li>Transmitter: 3.6 VDC / 2 AA Lithium.</li> <li>Receiver can monitor up to six (6) edges.</li> </ul>	
1. Kit includes receiver and one (1) RB-TX-10 transmitter.	
8080-006 Monitored Transmitter (RB-TX-10) .....	344.00

## Vehicle Protection

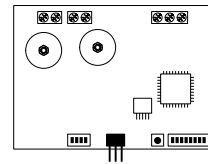
### Loop Detectors and Loops



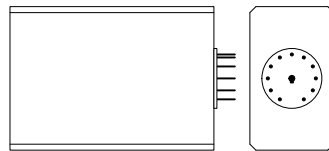
9411-010



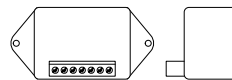
9410-010 / 9416-010



9409-010 / 9415-010



9402-045 / 9402-047



9402-050

#### DKS Plug-In Loop Detectors

9411-010 Single Channel + Aux Relay .....	326.00
9410-010 Single Channel .....	302.00
9409-010 Two Channel.....	570.00
9415-010 Two Channel Low Power Draw .....	592.00
9416-010 Single Channel Low Power Draw .....	344.00

#### Reno A&E Wired Loop Detectors<sup>1,2</sup>

9402-045 24 VAC / 12-24 VDC .....	398.00
9402-047 120 VAC .....	398.00
9402-061 Wire Harness .....	45.00

#### Diablo Wired Loop Detectors

9402-050 10-30 VAC / VDC Low Power Draw .....	398.00
---	--------

1. Detectors have two (2) relay outputs.

2. 9402-061 harness required.

#### Loop Wire – 18 AWG – XLPE Insulation

9402-076 500 Ft. (152 m) Black.....	310.00
9402-077 1000 Ft. (304 m) Black.....	600.00
9402-078 500 Ft. (152 m) Blue.....	310.00
9402-079 1000 Ft. (304 m) Blue.....	600.00
9402-080 500 Ft. (152 m) Red.....	310.00
9402-081 1000 Ft. (304 m) Red.....	600.00

#### Prefabricated Loops<sup>1</sup>

9401-060 Blue Wire .....	700.00
9401-061 Yellow Wire .....	700.00
9401-062 Red Wire .....	700.00

24 Ft. (7 m) circumference, 50 Ft. (15 M) lead-in wire.

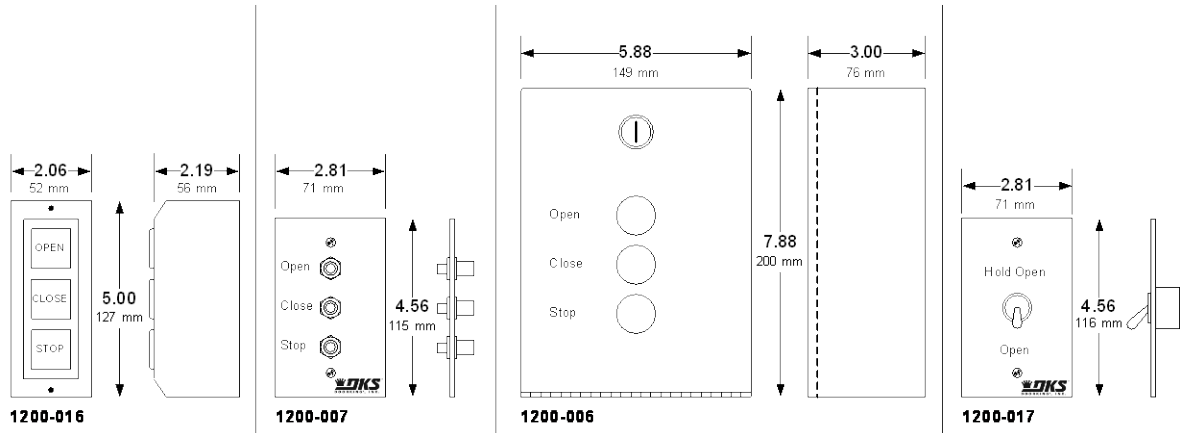
#### Loop Accessories

9401-045 Meg-Ohm Test Meter .....	708.00
-----------------------------------	--------



# Control Stations

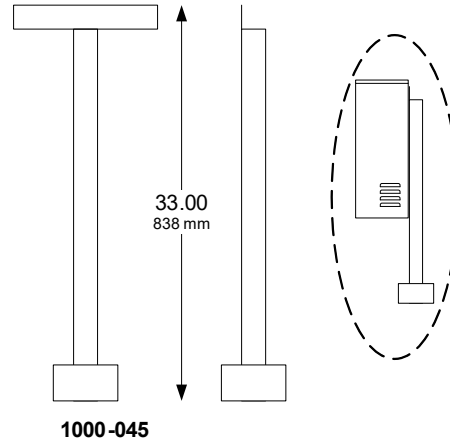
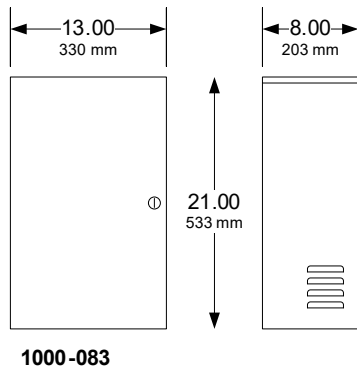
## Manual Control



<b>3-Button Control</b>	
1200-016 Indoor use only .....	344.00
<ul style="list-style-type: none"> <li>• NC Stop circuit</li> </ul>	
<b>3-Button Control<sup>1</sup></b>	
1200-007 Indoor use only .....	180.00
<ul style="list-style-type: none"> <li>• Mounts into single-gang electrical box.</li> </ul>	
1200-006 Indoor or Outdoor use .....	412.00
<ul style="list-style-type: none"> <li>• Wall mount</li> </ul>	
<p>1. These control stations use a normally open stop circuit and can only be used with the following models: 6050, 6100, 6300.</p>	
<b>Toggle Control</b>	
1200-017 Indoor use only .....	92.12
<ul style="list-style-type: none"> <li>• Mounts into single-gang electrical box</li> </ul>	

## Model 1000

### Back-up Power / Inverter



#### Model 1000 Power Inverter

1000-083 Pure Sine Wave, 1000 Watt.....2872.00

- Includes two (2) 12V, 35Ah batteries.
- Will power two (2) ½ HP operators or a single 1 HP operator.
- Suitable for use with DoorKing Class I and Class II gate operators and most other residential / light commercial gate operator brands.

#### Accessories / Replacement Parts

1000-045 Post Mount ..... 560.00  
 1801-005 12-Volt, 35 Ah SLA Battery..... 362.00  
 1000-044 Battery Cable Set ..... 74.38  
 1000-048 Battery (35 Ah) + Cable Set ..... 624.00