



# Section B1

**This Price Schedule is effective January 1, 2018.**

## **Maximum Security Slide Gate Operators**

<b>Date</b>	<b>Page</b>	<b>Comment</b>
1-1-18	All	January, 2018 Price Schedule update.

## **UL 325 – 2016 Notice**

Requirements mandated by the safety standard (UL 325) that our gate operators are listed to require that photo-beams and contact edges used for entrapment protection must be monitored. DoorKing is using the Resistive Termination method to monitor these devices. In this configuration, the operator expects the device to have a measurable resistance when in a GOOD condition, and either an open or short when in a FAULT condition. The safety standard mandates a minimum of two (2) entrapment protection devices. All DoorKing gate operators have an inherent (Type A) system, so the minimum required will be one (1) additional entrapment protection device, usually a non-contact sensor (Type B1) or a contact sensor (Type B2). The operator will not run without at least one external device connected. The minimum requirement does not negate the requirement to protect ALL entrapment areas with entrapment protection. As such, additional entrapment protection devices will need to be installed depending on the particular installation requirements.

## **Maximum Security Operators**

9200 and 9500 series operators are designed to operate vehicular sliding gates used in Limited (Class III) and Restricted (Class IV) industrial and maximum security applications only. These operators must never be used in Residential (Class I) or Commercial (Class II) applications, or in any application where the gate is operated by the General Public.

These operators must be installed with external entrapment prevention devices, Type B1 (non-contact) or Type B2 (contact), or a combination of both to insure all entrapment hazard areas are protected. Refer to the Installation Manual for important safety information.

## **Minimum Gate Length**

Most 9200 and 9500 Series operators have variable speed capability which allows the user to adjust the speed of the gate. On most operators, the speed can be set for speeds up to 2 Ft/sec., and on certain models the gate speed can be set up to 4 Ft/sec. When using these higher speeds, there is a time factor to consider during the start-up and the slow-down of the gate. For this reason, you will see a minimum gate length on operators design to move a gate at the higher speeds.

## Table of Contents

### Maximum Security Slide Gate Operators

Model 9210 .....	4
Model 9220 .....	6
Model 9230 .....	8
Model 9235 .....	10
Model 9240 .....	12

### Heavy-Duty Maximum Security Slide Gate Operators

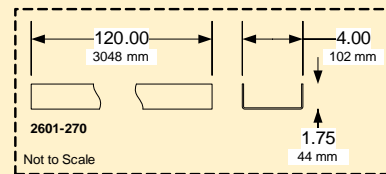
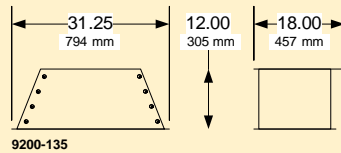
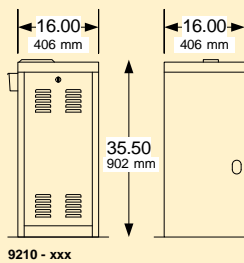
Model 9530 .....	14
Model 9550 .....	16
Model 9555 .....	18
Model 9575 .....	20

## 9210 Slide Gate Operator

### Maximum Security Slide Gate Operator

#### 9210

- Adjustable Limits
- Plug-in Loop Detector Ports
- Built-in power and reset switches
- Two 115 VAC convenience outlets
- Partial open / anti-tailgate feature
- 40:1 Gear Reducer Drive Train
- Fixed Speed
- 20-Feet (6m) #50 / #60 Chain
- Gate tracker data output
- Selectable stop/ reverse function



Model	Chain	Speed Fixed	Maximum Gate Weight	Maximum Gate Length	Minimum Gate Length	Mount	Class of Operation <sup>1</sup>	Voltage VAC	HP	Power Outlets	Loop Ports <sup>2</sup>
9210	#50	1 Ft/sec .3m/sec	2000 Lbs <sup>3</sup> 907 Kg	100 Ft 30m	10 Ft 3m	Pad or Pedestal <sup>3</sup>	III, IV	115, 208, 230, 460	1	2	2
	#60		3000 Lbs <sup>3</sup> 1360 Kg								

- III = Limited Access; IV = Restricted Access
- Plug-in loop detector ports; open and reverse. DoorKing plug-in loop detectors only.
- Requires 9200-135 pedestal.

## 9210 Slide Gate Operator

## Maximum Security Slide Gate Operator

### Operators w/#50 Chain

9210-080 1 HP, 115V (9.7A) .....	4651.50
9210-082 1 HP, 208V 1° (5.0A) .....	4704.00
9210-084 1 HP, 230V 1° (4.9A) .....	4704.00
9210-086 1 HP, 208V 3° (3.4A) .....	4909.50
9210-088 1 HP, 230V 3° (3.3A) .....	4909.50
9210-090 1 HP, 460V 3° (1.7A) .....	4909.50

### Operators w/#60 Chain

9210-081 1 HP, 115V (9.7A) .....	4729.50
9210-083 1 HP, 208V 1° (5.0A) .....	4782.00
9210-085 1 HP, 230V 1° (4.9A) .....	4782.00
9210-087 1 HP, 208V 3° (3.4A) .....	4987.50
9210-089 1 HP, 230V 3° (3.3A) .....	4987.50
9210-091 1 HP, 460V 3° (1.7A) .....	4987.50

### Choose Entrapment Protection (required) Devices

*Use Type B1 (non-contact) and/or Type B2 (contact) entrapment protection devices with 10K resistive termination. See section A1, pages 40-41 for a complete list of all entrapment protection devices available.*

**Operators will not operate without entrapment protection device(s) connected.**

### Loops and Loop Detectors

*See section A1, page 42 for a complete list of all loop detectors, prefabricated loops and loop accessories available.*

### Accessories

9200-135 Mounting Pedestal .....	852.00
2601-270 Chain Tray Kit 10 Ft (3m) <sup>1</sup> .....	379.50
1601-154 Heater Kit 120 VAC <sup>2</sup> .....	Note 3
1601-197 Heater Kit 208/230 VAC <sup>2</sup> .....	Note 3
1601-198 Heater Kit 480 VAC <sup>2</sup> .....	Note 3

1. 9200-135 required if chain tray is used.
2. Use if temperature routinely falls below 10°F (-12°C).
3. See Section A1, page 29 for pricing.

### Chain

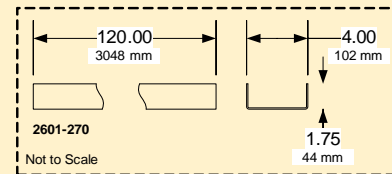
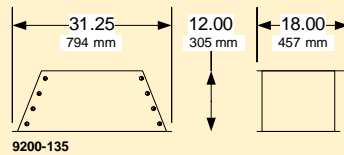
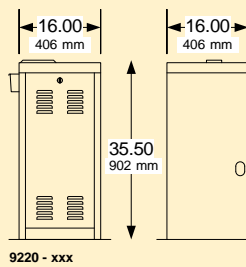
2600-485 #50 Chain, 20-Ft (6 m) .....	156.00
2600-448 #60 Chain, 20-Ft (6 m) .....	249.00

## 9220 Slide Gate Operator

### Maximum Security Slide Gate Operator

#### 9220

- Adjustable Limits
- Plug-in Loop Detector Ports
- Built-in power and reset switches
- Two 115 VAC convenience outlets
- Partial open / anti-tailgate feature
- 40:1 Gear Reducer Drive Train
- Variable Speed
- 20-Feet (6m) #60 Chain
- Gate tracker data output
- Selectable stop/ reverse function



Model	Chain	Speed Variable	Maximum Gate Weight	Maximum Gate Length	Minimum Gate Length	Mount	Class of Operation <sup>1</sup>	Voltage VAC	HP	Power Outlets	Loop Ports <sup>2</sup>
9220	#60	1-2 Ft/sec .3-.6m/sec	2000 Lbs <sup>3</sup> 907 Kg	100 Ft 30m	20 Ft 6m	Pad or Pedestal <sup>3</sup>	III, IV	208, 230, 460	2	2	2

1. III = Limited Access; IV = Restricted Access
2. Plug-in loop detector ports; open and reverse. DoorKing plug-in loop detectors only.
3. Requires 9200-135 pedestal.

## 9220 Slide Gate Operator

## Maximum Security Slide Gate Operator

### Operators w/#60 Chain

---

9220-081 2 HP, 208V 1° (11.7A).....	5763.00
9220-083 2 HP, 230V 1° (11.5A).....	5763.00
9220-085 2 HP, 208V 3° (6.6A).....	5968.50
9220-087 2 HP, 230V 3° (6.2A).....	5968.50
9220-089 2 HP, 460V 3° (3.1A).....	5968.50

### Choose Entrapment Protection (required) Devices

---

Use Type B1 (non-contact) and/or Type B2 (contact) entrapment protection devices with 10K resistive termination. See section A1, pages 40-41 for a complete list of all entrapment protection devices available.

**Operators will not operate without entrapment protection device(s) connected.**

### Loops and Loop Detectors

---

See section A1, page 42 for a complete list of all loop detectors, prefabricated loops and loop accessories available.

### Accessories

---

9200-135 Mounting Pedestal.....	852.00
2601-270 Chain Tray Kit 10 Ft (3m) <sup>1</sup> .....	379.50
1601-197 Heater Kit 208/230 VAC <sup>2</sup> .....	Note 3
1601-198 Heater Kit 480 VAC <sup>2</sup> .....	Note 3

1. 9200-135 required if chain tray is used.
2. Use if temperature routinely falls below 10°F (-12°C).
3. See Section A1, page 29 for pricing.

### Chain

---

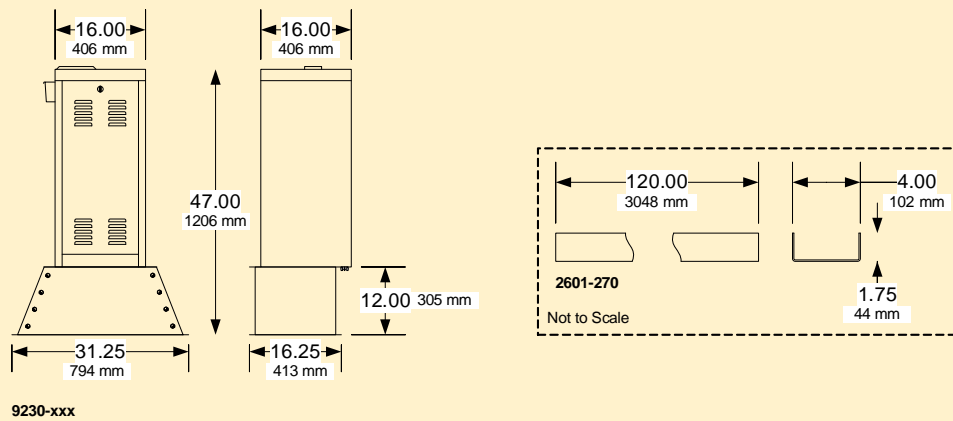
2600-448 #60 Chain, 20-Ft (6 m).....	249.00
--------------------------------------	--------

## 9230 Slide Gate Operator

## Maximum Security Slide Gate Operator

### 9230

- Adjustable Limits
- Plug-in Loop Detector Ports
- Built-in power and reset switches
- Two 115 VAC convenience outlets
- Partial open / anti-tailgate feature
- 40:1 Gear Reducer Drive Train
- Variable Speed
- 20-Feet (6m) #60 Chain
- Gate tracker data output
- Selectable stop/ reverse function



Model	Chain	Speed Variable	Maximum Gate Weight	Maximum Gate Length	Minimum Gate Length	Mount	Class of Operation <sup>1</sup>	Voltage VAC	HP	Power Outlets	Loop Ports <sup>2</sup>
9230	#60	1-2 Ft/sec .3-.6m/sec	5000 Lbs <sup>3</sup> 2267 Kg	100 Ft 30m	20 Ft 6m	Pedestal <sup>3</sup>	III, IV	208, 230	3	2	2

1. III = Limited Access; IV = Restricted Access
2. Plug-in loop detector ports; open and reverse. DoorKing plug-in loop detectors only.
3. 9200-135 pedestal included.



## 9230 Slide Gate Operator

## Maximum Security Slide Gate Operator

### Operators w/#60 Chain

---

9230-080 3 HP, 208V 3° (9.8A).....	8308.50
9230-081 3 HP, 230V 3° (9.6A).....	8308.50

### Choose Entrapment Protection (required) Devices

---

Use Type B1 (non-contact) and/or Type B2 (contact) entrapment protection devices with 10K resistive termination. See section A1, pages 40-41 for a complete list of all entrapment protection devices available.

**Operators will not operate without entrapment protection device(s) connected.**

### Loops and Loop Detectors

---

See section A1, page 42 for a complete list of all loop detectors, prefabricated loops and loop accessories available.

### Accessories

---

2601-270 Chain Tray Kit 10 Ft (3m).....	379.50
1601-197 Heater Kit 208/230 VAC <sup>1</sup> .....	Note 2
1. Use if temperature routinely falls below 10°F (-12°C).	
2. See Section A1, page 29 for pricing.	

### Chain

---

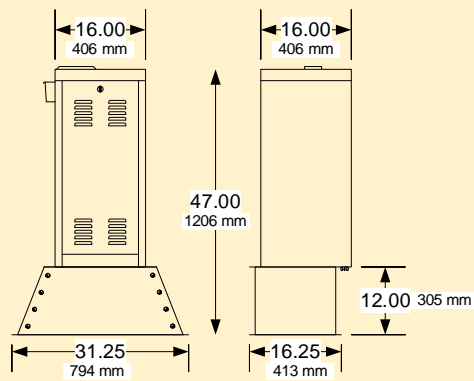
2600-448 #60 Chain, 20-Ft (6 m).....	249.00
--------------------------------------	--------

## 9235 Slide Gate Operator

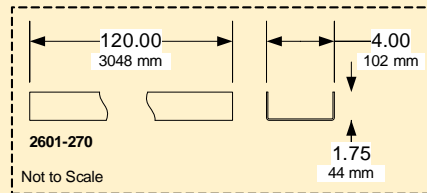
## Maximum Security Slide Gate Operator

### 9235

- Adjustable Limits
- Plug-in Loop Detector Ports
- Built-in power and reset switches
- Two 115 VAC convenience outlets
- Partial open / anti-tailgate feature
- 40:1 Gear Reducer Drive Train
- Variable Speed
- 20-Feet (6m) #60 Chain
- Gate tracker data output
- Selectable stop/ reverse function



9235-xxx



Model	Chain	Speed Variable	Maximum Gate Weight	Maximum Gate Length	Minimum Gate Length	Mount	Class of Operation <sup>1</sup>	Voltage VAC	HP	Power Outlets	Loop Ports <sup>2</sup>
9235	#60	1-4 Ft/sec .3-1.2m/sec	3000 Lbs <sup>3</sup> 1360 Kg	100 Ft 30m	30 Ft 9m	Pedestal <sup>3</sup>	III, IV	208, 230	3	2	2

1. III = Limited Access; IV = Restricted Access
2. Plug-in loop detector ports; open and reverse. DoorKing plug-in loop detectors only.
3. 9200-135 pedestal included.

## 9235 Slide Gate Operator

## Maximum Security Slide Gate Operator

### Operators w/#60 Chain

---

9235-080 3 HP, 208V 3° (12.8A).....	12,384.00
9235-081 3 HP, 230V 3° (12.6A).....	12,384.00

### Choose Entrapment Protection (required) Devices

---

*Use Type B1 (non-contact) and/or Type B2 (contact) entrapment protection devices with 10K resistive termination. See section A1, pages 40-41 for a complete list of all entrapment protection devices available.*

**Operators will not operate without entrapment protection device(s) connected.**

### Loops and Loop Detectors

---

*See section A1, page 42 for a complete list of all loop detectors, prefabricated loops and loop accessories available.*

### Accessories

---

2601-270 Chain Tray Kit 10 Ft (3m).....	379.50
1601-197 Heater Kit 208/230 VAC <sup>1</sup> .....	Note 2
<i>1. Use if temperature routinely falls below 10°F (-12°C).</i>	
<i>2. See Section A1, page 29 for pricing.</i>	

### Chain

---

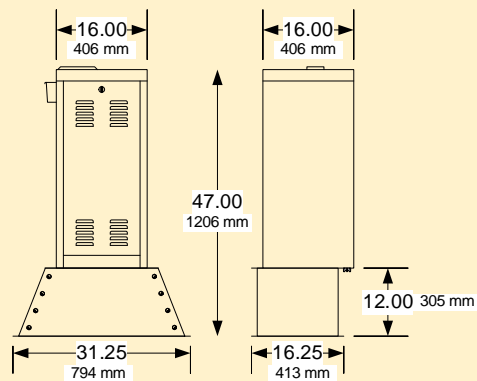
2600-448 #60 Chain, 20-Ft (6 m).....	249.00
--------------------------------------	--------

## 9240 Slide Gate Operator

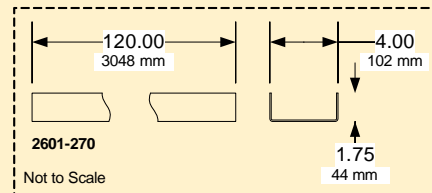
### Maximum Security Slide Gate Operator

#### 9240

- Adjustable Limits
- Plug-in Loop Detector Ports
- Built-in power and reset switches
- Two 115 VAC convenience outlets
- Partial open / anti-tailgate feature
- 40:1 Gear Reducer Drive Train
- Variable Speed
- 20-Feet (6m) #80 Chain
- Gate tracker data output
- Selectable stop/ reverse function



9240-xxx



Model	Chain	Speed Variable	Maximum Gate Weight	Maximum Gate Length	Minimum Gate Length	Mount	Class of Operation <sup>1</sup>	Voltage VAC	HP	Power Outlets	Loop Ports <sup>2</sup>
9240	#80	1-2 Ft/sec .3-.6m/sec	8000 Lbs <sup>3</sup> 3628 Kg	100 Ft 30m	25 Ft 7.6m	Pedestal <sup>3</sup>	III, IV	208, 230	3	2	2

1. III = Limited Access; IV = Restricted Access
2. Plug-in loop detector ports; open and reverse. DoorKing plug-in loop detectors only.
3. 9200-135 pedestal included.

## 9240 Slide Gate Operator

## Maximum Security Slide Gate Operator

### Operators w/#80 Chain

---

9240-080 3 HP, 208V 3° (9.8A).....	12,384.00
9240-081 3 HP, 230V 3° (9.6A).....	12,384.00

### Choose Entrapment Protection (required) Devices

---

Use Type B1 (non-contact) and/or Type B2 (contact) entrapment protection devices with 10K resistive termination. See section A1, pages 40-41 for a complete list of all entrapment protection devices available.

**Operators will not operate without entrapment protection device(s) connected.**

### Loops and Loop Detectors

---

See section A1, page 42 for a complete list of all loop detectors, prefabricated loops and loop accessories available.

### Accessories

---

2601-270 Chain Tray Kit 10 Ft (3m).....	379.50
1601-197 Heater Kit 208/230 VAC <sup>1</sup> .....	Note 2
1. Use if temperature routinely falls below 10°F (-12°C).	
2. See Section A1, page 29 for pricing.	

### Chain

---

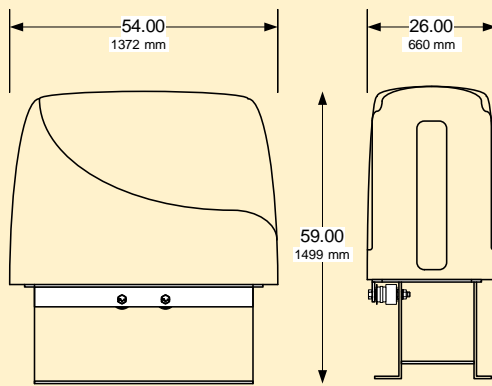
2601-268 #80 Chain, 10-Ft (3 m).....	235.50
2601-269 #80 Chain, 20-Ft (6 m).....	472.50

## 9530 Slide Gate Operator

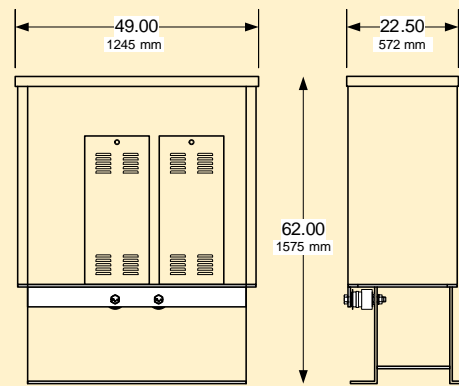
### Heavy-Duty Maximum Security Slide Gate Operator

#### 9530

- Adjustable Limits
- Plug-in Loop Detector Ports
- Built-in power and reset switches
- Two 115 VAC convenience outlets
- Partial open / anti-tailgate feature
- 40:1 Gear Reducer Drive Train
- Variable Speed
- 20-Feet (6m) #80 Chain
- Gate tracker data output
- Selectable stop/ reverse function



95xx-xxx with Standard Polyurethane housing



95xx-xxx with optional 10ga. Steel housing

Model	Chain	Speed Variable	Maximum Gate Weight	Maximum Gate Length	Minimum Gate Length	Mount	Class of Operation <sup>1</sup>	Voltage VAC	HP	Power Outlets	Loop Ports <sup>2</sup>
9530	#80	1-2 Ft/sec .3-.6m/sec	8000 Lbs <sup>3</sup> 3628 Kg	160 Ft 48m	25 Ft 7.6m	Pad	III, IV	208, 230, 460	3	2	2

1. III = Limited Access; IV = Restricted Access
2. Plug-in loop detector ports; open and reverse. DoorKing plug-in loop detectors only.

## 9530 Slide Gate Operator

### Heavy-Duty Maximum Security Slide Gate Operator

#### Operators w/#80 Chain

---

9530-080 3 HP, 208V 3° (9.8A).....	13,891.50
9530-081 3 HP, 230V 3° (9.6A).....	13,891.50
9530-082 3 HP, 460V 3° (4.8A).....	13,891.50

#### Choose Entrapment Protection (required) Devices

---

Use Type B1 (non-contact) and/or Type B2 (contact) entrapment protection devices with 10K resistive termination. See section A1, pages 40-41 for a complete list of all entrapment protection devices available.

**Operators will not operate without entrapment protection device(s) connected.**

#### Loops and Loop Detectors

---

See section A1, page 42 for a complete list of all loop detectors, prefabricated loops and loop accessories available.

#### Accessories

---

2601-270 Chain Tray Kit 10 Ft (3m).....	379.50
1601-197 Heater Kit 208/230 VAC <sup>1</sup> .....	Note 2
1601-198 Heater Kit 480 VAC <sup>1</sup> .....	Note 2
9550-205 10 Ga. Steel Housing <sup>3</sup> .....	3900.00

1. Use if temperature routinely falls below 10°F (-12°C).

2. See Section A1, page 29 for pricing.

3. Special order. Contact the factory for lead time.

#### Chain

---

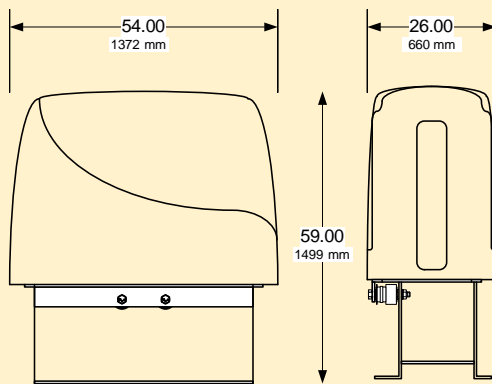
2601-268 #80 Chain, 10-Ft (3 m).....	235.50
2601-269 #80 Chain, 20-Ft (6 m).....	472.50

## 9550 Slide Gate Operator

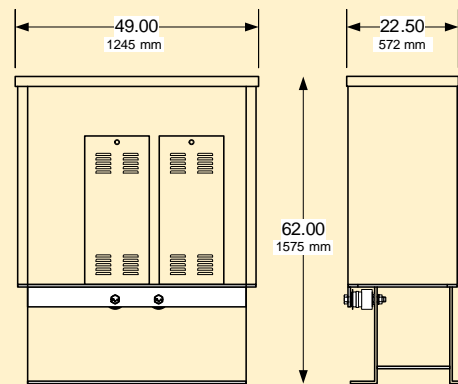
### Heavy-Duty Maximum Security Slide Gate Operator

#### 9550

- Adjustable Limits
- Plug-in Loop Detector Ports
- Built-in power and reset switches
- Two 115 VAC convenience outlets
- Partial open / anti-tailgate feature
- 40:1 Gear Reducer Drive Train
- Variable Speed
- 20-Feet (6m) #100 Chain
- Gate tracker data output
- Selectable stop/ reverse function



95xx-xxx with Standard Polyurethane housing



95xx-xxx with optional 10ga. Steel housing

Model	Chain	Speed Variable	Maximum Gate Weight	Maximum Gate Length	Minimum Gate Length	Mount	Class of Operation <sup>1</sup>	Voltage VAC	HP	Power Outlets	Loop Ports <sup>2</sup>
9550	#100	.5-1 Ft/sec .15-.3m/sec	15,000 Lbs <sup>3</sup> 6803 Kg	160 Ft 48m	25 Ft 7.6m	Pad	III, IV	208, 230, 460	5	2	2

1. III = Limited Access; IV = Restricted Access
2. Plug-in loop detector ports; open and reverse. DoorKing plug-in loop detectors only.



## 9550 Slide Gate Operator

### Heavy-Duty Maximum Security Slide Gate Operator

#### Operators w/#100 Chain

9550-080 5 HP, 208V 3° (12.9A).....	24,012.00
9550-081 5 HP, 230V 3° (12.8A).....	24,012.00
9550-082 5 HP, 460V 3° (6.4A).....	24,012.00

#### Choose Entrapment Protection (required) Devices

Use Type B1 (non-contact) and/or Type B2 (contact) entrapment protection devices with 10K resistive termination. See section A1, pages 40-41 for a complete list of all entrapment protection devices available.

**Operators will not operate without entrapment protection device(s) connected.**

#### Loops and Loop Detectors

See section A1, page 42 for a complete list of all loop detectors, prefabricated loops and loop accessories available.

#### Accessories

2601-270 Chain Tray Kit 10 Ft (3m).....	379.50
1601-197 Heater Kit 208/230 VAC <sup>1</sup> .....	Note 2
1601-198 Heater Kit 480 VAC <sup>1</sup> .....	Note 2
9550-205 10 Ga. Steel Housing <sup>3</sup> .....	3900.00

1. Use if temperature routinely falls below 10°F (-12°C).

2. See Section A1, page 29 for pricing.

3. Special order. Contact the factory for lead time.

#### Chain

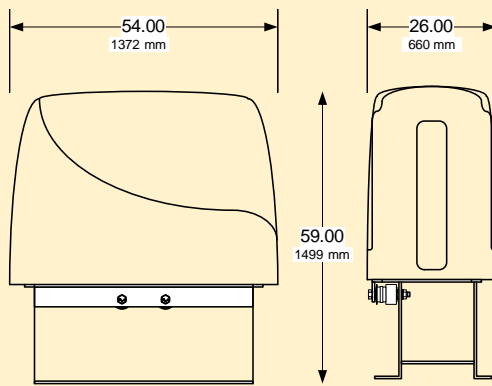
2601-272 #100 Chain, 20-Ft (6 m).....	516.00
---------------------------------------	--------

## 9555 Slide Gate Operator

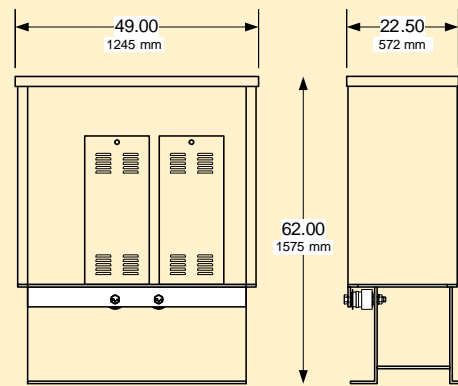
### Heavy-Duty Maximum Security Slide Gate Operator

#### 9555

- Adjustable Limits
- Plug-in Loop Detector Ports
- Built-in power and reset switches
- Two 115 VAC convenience outlets
- Partial open / anti-tailgate feature
- 40:1 Gear Reducer Drive Train
- Variable Speed
- 20-Feet (6m) #80 Chain
- Gate tracker data output
- Selectable stop/ reverse function



95xx-xxx with Standard Polyurethane housing



95xx-xxx with optional 10ga. Steel housing

Model	Chain	Speed Variable	Maximum Gate Weight	Maximum Gate Length	Minimum Gate Length	Mount	Class of Operation <sup>1</sup>	Voltage VAC	HP	Power Outlets	Loop Ports <sup>2</sup>
9555	#80	1-2 Ft/sec .3-.6m/sec	10,000 Lbs <sup>3</sup> 4535 Kg	160 Ft 48m	25 Ft 7.6m	Pad	III, IV	208, 460	5	2	2

1. III = Limited Access; IV = Restricted Access
2. Plug-in loop detector ports; open and reverse. DoorKing plug-in loop detectors only.

## 9555 Slide Gate Operator

## Heavy-Duty Maximum Security Slide Gate Operator

### Operators w/#80 Chain

9555-080 5 HP, 208V 3 <sup>°</sup> (12.9A).....	19,845.00
9555-082 5 HP, 460V 3 <sup>°</sup> (6.4A).....	19,845.00

These operators include a mechanical disc braking system. A brake auto-release can be factory ordered with this operator.

### Choose Entrapment Protection (required) Devices

Use Type B1 (non-contact) and/or Type B2 (contact) entrapment protection devices with 10K resistive termination. See section A1, pages 40-41 for a complete list of all entrapment protection devices available.

**Operators will not operate without entrapment protection device(s) connected.**

### Loops and Loop Detectors

See section A1, page 42 for a complete list of all loop detectors, prefabricated loops and loop accessories available.

### Accessories

2601-270 Chain Tray Kit 10 Ft (3m).....	379.50
1601-197 Heater Kit 208/230 VAC <sup>1</sup> .....	Note 2
1601-198 Heater Kit 480 VAC <sup>1</sup> .....	Note 2
9550-205 10 Ga. Steel Housing <sup>3</sup> .....	3900.00

1. Use if temperature routinely falls below 10°F (-12°C).

2. See Section A1, page 29 for pricing.

3. Special order. Contact the factory for lead time.

### Chain

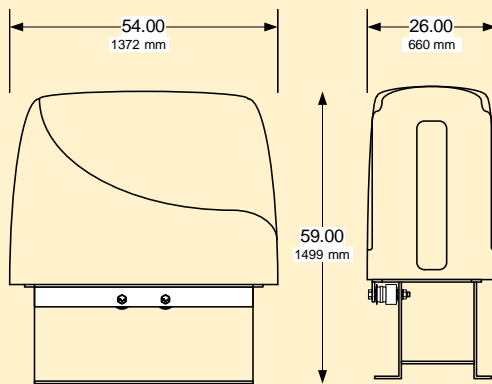
2601-268 #80 Chain, 10-Ft (3 m).....	235.50
2601-269 #80 Chain, 20-Ft (6 m).....	472.50

## 9575 Slide Gate Operator

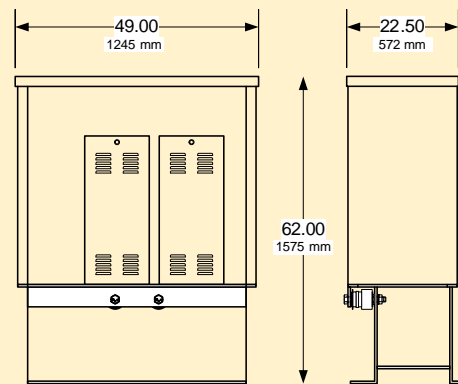
### Heavy-Duty Maximum Security Slide Gate Operator

#### 9575

- Adjustable Limits
- Plug-in Loop Detector Ports
- Built-in power and reset switches
- Two 115 VAC convenience outlets
- Partial open / anti-tailgate feature
- 40:1 Gear Reducer Drive Train
- Variable Speed
- 20-Foot (6m) #100 Chain
- Gate tracker data output
- Selectable stop/ reverse function



95xx-xxx with Standard Polyurethane housing



95xx-xxx with optional 10ga. Steel housing

Model	Chain	Speed Variable	Maximum Gate Weight	Maximum Gate Length	Minimum Gate Length	Mount	Class of Operation <sup>1</sup>	Voltage VAC	HP	Power Outlets	Loop Ports <sup>2</sup>
9575	#100	1-2 Ft/sec .3-.6m/sec	25,000 Lbs <sup>3</sup> 11,339 Kg	160 Ft 48m	25 Ft 7.6m	Pad	III, IV	208	7.5	2	2

1. III = Limited Access; IV = Restricted Access
2. Plug-in loop detector ports; open and reverse. DoorKing plug-in loop detectors only.

## 9575 Slide Gate Operator

### Heavy-Duty Maximum Security Slide Gate Operator

#### Operators w/#100 Chain

---

9575-080 7.5 HP, 208V 3 $\phi$  (22.6A) ..... 31,288.50

#### Choose Entrapment Protection (required) Devices

---

Use Type B1 (non-contact) and/or Type B2 (contact) entrapment protection devices with 10K resistive termination. See section A1, pages 40-41 for a complete list of all entrapment protection devices available.

**Operators will not operate without entrapment protection device(s) connected.**

#### Loops and Loop Detectors

---

See section A1, page 42 for a complete list of all loop detectors, prefabricated loops and loop accessories available.

#### Accessories

---

2601-270 Chain Tray Kit 10 Ft (3m) ..... 379.50

1601-197 Heater Kit 208/230 VAC<sup>1</sup> ..... Note 2

9550-205 10 Ga. Steel Housing<sup>3</sup> ..... 3900.00

1. Use if temperature routinely falls below 10°F (-12°C).
2. See Section A1, page 29 for pricing.
3. Special order. Contact the factory for lead time.

#### Chain

---

2601-272 #100 Chain, 20-Ft (6 m) ..... 516.00