

Table of Contents

Card Readers

DK Prox Proximity Card Readers.....	4
HID Card Readers.....	6
AWID Card Readers	8
ID-Teck Card Readers	10

Keypads

Digital Key Pads	12
------------------------	----

RF Controls

MicroPlus RF Controls	14
MicroClik RF Controls	16

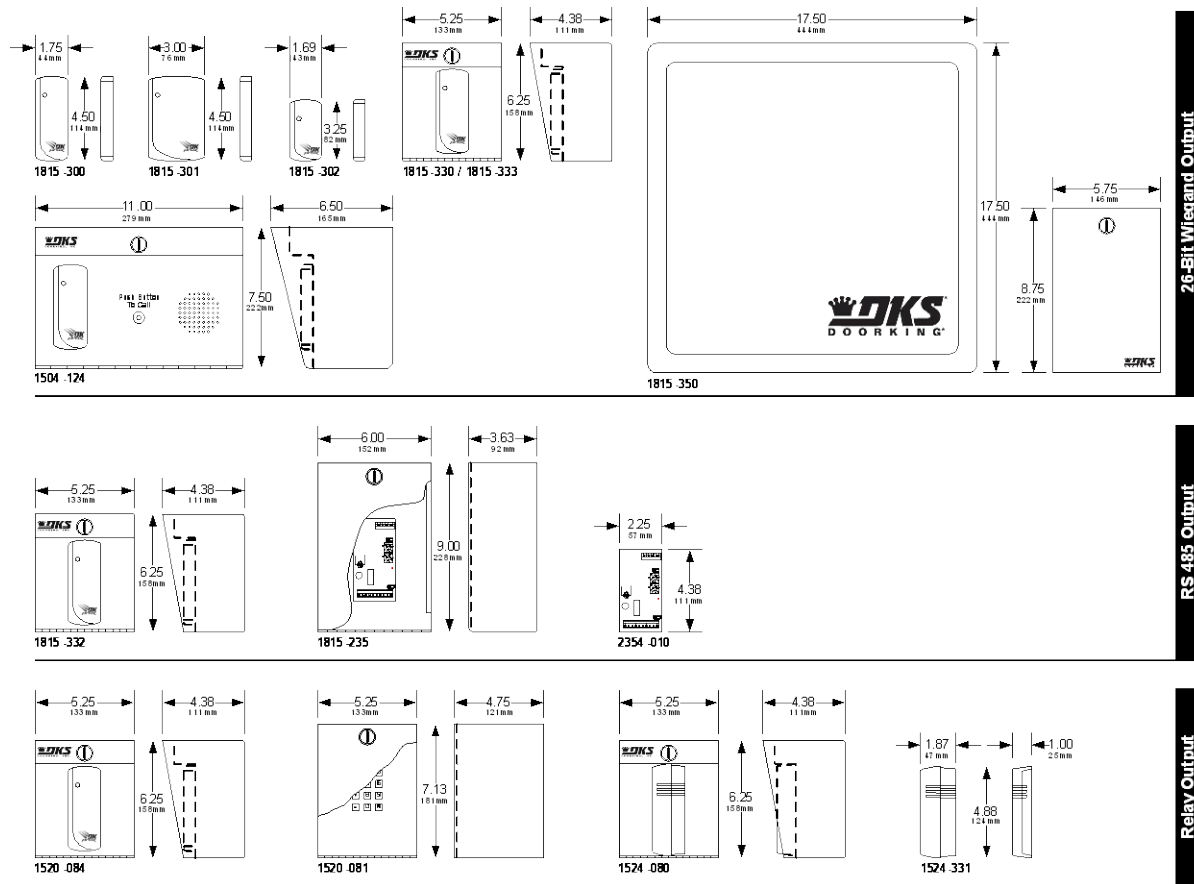
Miscellaneous Controls

Key Switches	18
Exit Push Buttons.....	19
Postal & Fire Department Lock Boxes	20

Door and Gate Locks

1200 Lb. Magnetic Door Locks	22
600 Lb. Magnetic Door Locks	23
300 Lb. Mini-locks, 2000 Lb. Shear Lock.....	24
1200 Lb, 600 Lb. Magnetic gate Locks.....	25
Electric Dead-bolts and Door Strikes	26
Magnetic Door Backup Power Supplies.....	27

DK Prox Card Readers



26-Bit Wiegand Output

RS-485 Output

Relay Output

26-Bit Wiegand Output

1815-300 Up to 3-inch range.....	132.00
1815-301 Up to 4-inch range.....	132.00
1815-302 Up to 2-inch range.....	132.00
1815-330 (1815-300 reader w/enclosure).....	246.00
1815-333 (1815-330 w/expansion board).....	796.00
1815-350 Up to 25-foot range.....	2808.00
1504-124 (1815-300 w/intercom substation).....	584.00

RS-485 Output (ACCESS PLUS ONLY)

1815-332 Up to 3-inch range.....	412.00
1815-235 (2354-010 w/enclosure).....	300.00
2354-010 (26-Bit Wiegand to RS-485 converter).....	172.00

Relay Output (Stand Alone)

1520-084.....	744.00
1520-081 Controller only.....	688.00
<ul style="list-style-type: none"> • 1520 reader/controller can store up to 1000 card codes • 3600 event history buffer • Built-in programming keypad • Timed anti-pass back, hold open time zones 	
1524-080 (1524-331 w/enclosure).....	448.00
1524-331.....	332.00
1815-340 Replacement Programmer.....	54.60
<ul style="list-style-type: none"> • 1524 reader can store up to 1000 card codes • Use 1815-340 hand held programmer to add / delete individual cards or blocks of cards 	

DK Prox Cards

Cards are sold in blocks of 50 only.

These cards are factory pre-coded. Card numbers may, or may not be, in numerical sequence.

1508-120 Clamshell Cards

50-100.....	4.82
150-500.....	4.42
550-950.....	4.02
1000+.....	3.62

1508-121 ISO Graphics Cards

50-100.....	6.66
150-500.....	6.26
550-950.....	5.86
1000+.....	5.46

1508-123 Key Tags

50-100.....	7.12
150-500.....	6.72
550-950.....	6.32
1000+.....	5.92

UHF DK Prox Cards

These cards are factory pre-coded. Card numbers may, or may not be, in numerical sequence.

1508-191 ISO Card UHF Only	11.44
1508-198 ISO Card UHF/DK Prox Dual Tech.....	13.52
1815-318 Windshield Holder	4.16
1815-319 Rearview Mirror Holder	4.16

1508-191 can only be used with 1815-350 card reader. 1508-198 dual technology card can be used with both 1815-350 and all other DK Prox card readers.

DKProx Card Identifier for PC

1815-640.....	120.00
---------------	--------

This stand-alone accessory connects to a PC via a USB cable and will read the card code when presented to the identifier. This is useful for cards that have no numbers printed on them or the card number has worn off.

Requires software, for free download go to:
<http://www.doorking.com/accessories/access-control-accessories/dkprox-card-identifier>

Special Order cards are sold in blocks of 100 only.

DK Prox Cards - Special Order¹

These cards include sequential coding, specific card numbers and specific start / stop numbering sequences.

1508-127 Clamshell Cards

50-100.....	7.12
150-500.....	6.72
550-950.....	6.32
1000+.....	5.92

1508-128 ISO Graphics Cards

50-100.....	8.96
150-500.....	8.56
550-950.....	8.16
1000+.....	7.76

1508-129 Key Tags

50-100.....	9.42
150-500.....	9.02
550-950.....	8.62
1000+.....	8.22

UHF DK Prox Cards – Special Order¹

These cards include sequential coding, specific card numbers and specific start / stop numbering sequences.

1508-190 ISO Card UHF Only	13.52
1508-197 ISO Card UHF/DK Prox Dual Tech.....	15.60
1815-318 Windshield Holder	4.16
1815-319 Rearview Mirror Holder	4.16

1508-195 Headlight Tag

1-50.....	12.48
51-150.....	11.68
151-500.....	10.88
501-999.....	10.08
1000+.....	9.28

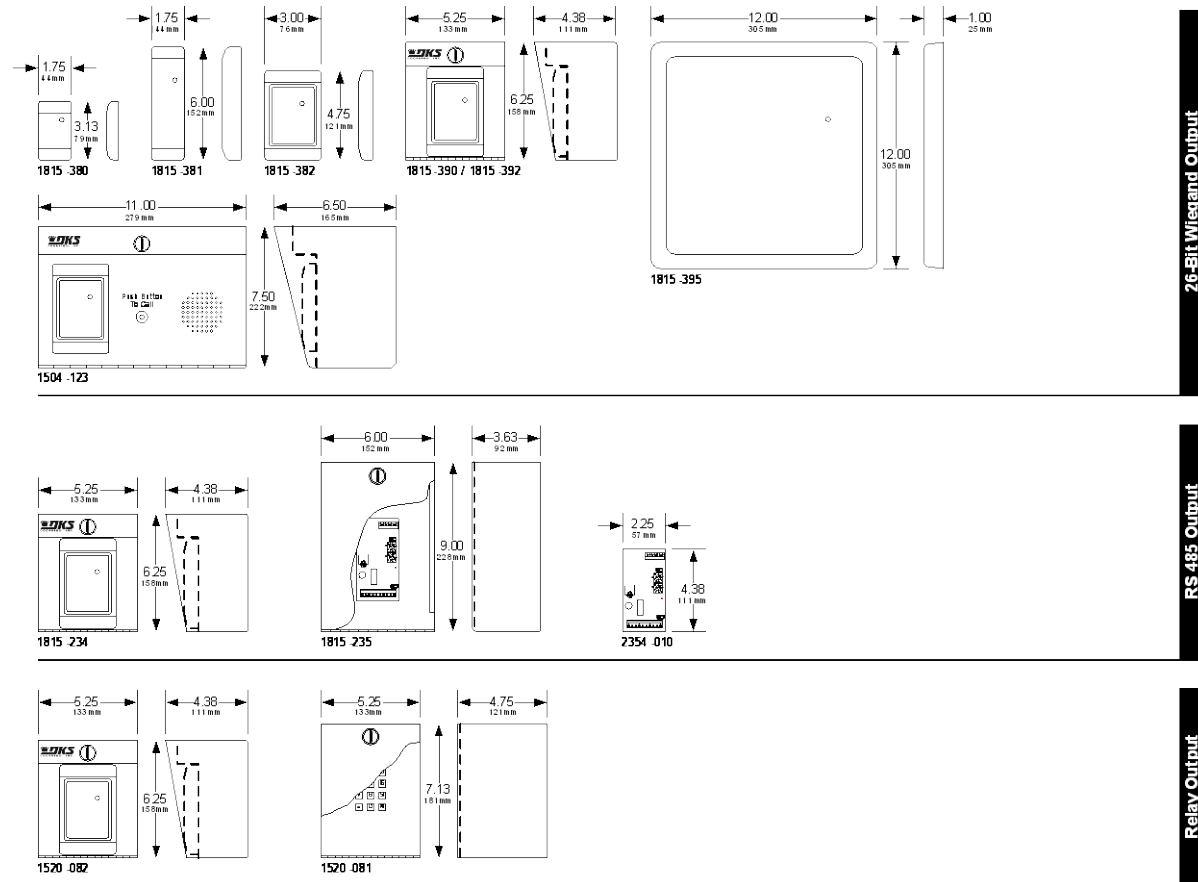
1508-199 License Plate Tag

1-50.....	12.48
51-150.....	11.68
151-500.....	10.88
501-999.....	10.08
1000+.....	9.28

1508-191, 1508-195 and 1508-199 can only be used with 1815-350 card reader. 1508-198 dual technology cards can be used with both 1815-350 and all other DK Prox card readers.

Note 1: Special orders cannot be returned for credit.

HID Proximity Card Readers



26-Bit Wiegand Output

1815-380 (ProxPoint Plus) Up to 3-inch range.....	310.00
1815-381 (MiniProx) Up to 5-inch range	608.00
1815-382 (ThinLine) Up to 5-inch range	582.00
1815-390 (1815-382 reader w/enclosure).....	670.00
1815-392 (1815-390 w/expansion board)	1164.00
1504-123 (1815-382 w/intercom substation).....	758.00
1815-395 (MaxiProx) Up to 6-foot range	1834.00
• Use 1508-014 Active Tags with 1815-395	

RS-485 Output (ACCESS PLUS ONLY)

1815-234 (ThinLine) Up to 5-inch range	872.00
1815-235 (2354-010 w/enclosure)	300.00
2354-010 (26-Bit Wiegand to RS-485 converter).....	172.00

Relay Output (Stand Alone)

1520-082.....	1008.00
1520-081 Controller only	688.00
• 1520 reader/controller can store up to 1000 card codes	
• 3600 event history buffer	
• Built-in programming keypad	
• Timed anti-pass back, hold open time zones	

HID Prox Cards

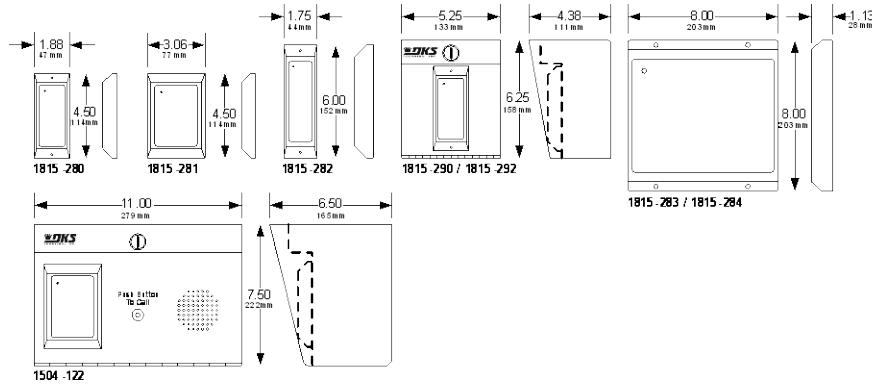
Cards are sold in blocks of 50 only.

Special order cards are sold in blocks of 100 only.

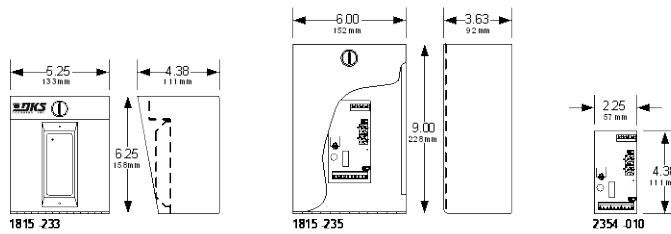
HID Prox Cards	
These cards are factory pre-coded. Card numbers may, or may not be, in numerical sequence.	
1508-018 ProxCard Clamshell Cards	
50-100.....	7.12
150-500.....	6.72
550-950.....	6.32
1000+.....	5.92
1508-017 Prox ISO Graphics Cards	
50-100.....	11.26
150-500.....	10.86
550-950.....	10.46
1000+.....	10.06
1508-016 ProxKey Key Tags	
50-100.....	11.72
150-500.....	11.32
550-950.....	10.92
1000+.....	10.52

HID Prox Cards - Special Order¹	
These cards include sequential coding, specific card numbers and specific start / stop numbering sequences.	
1508-143 ProxCard Clamshell Cards	
50-100.....	9.42
150-500.....	9.02
550-950.....	8.62
1000+.....	8.22
1508-144 Prox ISO Graphics Cards	
50-100.....	13.54
150-500.....	13.14
550-950.....	12.74
1000+.....	12.34
1508-145 ProxKey Key Tags	
50-100.....	14.00
150-500.....	13.60
550-950.....	13.20
1000+.....	12.80
1508-014 ProxPass Active Tags (use with 1815-395 only)	
1-9.....	91.30
10-30.....	88.30
40-100.....	85.30
110-490.....	82.30
500+.....	79.30
Note 1: Special orders cannot be returned for credit.	

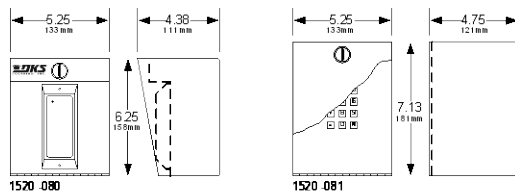
AWID Proximity Card Readers



26-Bit Wiegand Output



RS-485 Output



Relay Output

26-Bit Wiegand Output

1815-280 (SR 2400) Up to 4-inch range	208.00
1815-281 (SP 6820) Up to 8-inch range	372.00
1815-282 (MM 6800) Up to 2-inch range	372.00
1815-290 (1815-280 reader w/enclosure)	310.00
1815-292 (1815-290 w/expansion board)	802.00
1815-283 (MR 1824) Up to 24 inch range	744.00
1815-284 (MR 1824 MC) Up to 16 inch range	918.00
1504-122 (1815-281 w/intercom substation)	660.00

RS-485 Output (ACCESS PLUS ONLY)

1815-233 Up to 3-inch range	492.00
1815-235 (2354-010 w/enclosure)	300.00
2354-010 (26-Bit Wiegand to RS-485 converter)	172.00

Relay Output (Stand Alone)

1520-080	826.00
1520-081 Controller only	688.00

- 1520 reader/controller can store up to 1000 card codes
- 3600 event history buffer
- Built-in programming keypad
- Timed anti-pass back, hold open time zones

AWID Prox Cards

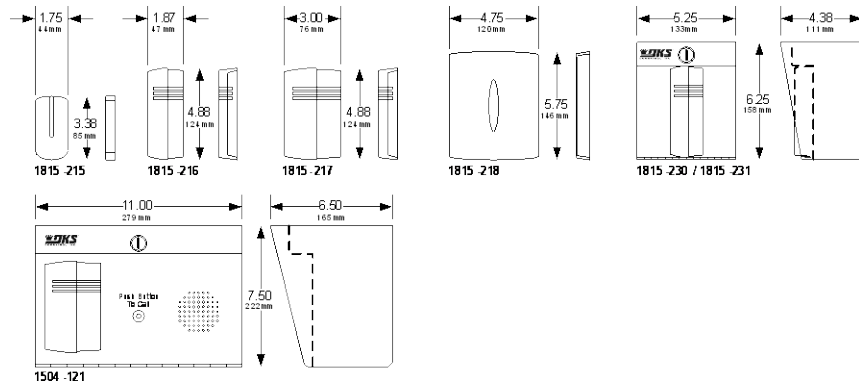
Cards are sold in blocks of 50 only.

Special order cards are sold in blocks of 100 only.

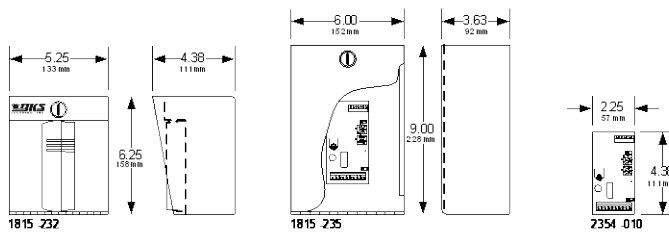
AWID Prox Cards	
These cards are factory pre-coded. Card numbers may, or may not be, in numerical sequence.	
1508-020 Prox-Linc Clamshell Cards	
50-100.....	5.96
150-500.....	5.56
550-950.....	5.16
1000+.....	4.76
1508-021 Prox-Linc GR ISO Graphics Cards	
50-100.....	9.06
150-500.....	8.66
550-950.....	8.26
1000+.....	7.86
1508-022 Prox-Linc KT Key Tags	
50-100.....	9.64
150-500.....	9.24
550-950.....	8.84
1000+.....	8.44

AWID Prox Cards - Special Order¹ (minimum 100)	
These cards include sequential coding, specific card numbers and specific start / stop numbering sequences.	
1508-132 Prox-Linc Clamshell Cards	
50-100.....	8.26
150-500.....	7.86
550-950.....	7.46
1000+.....	7.06
1508-133 Prox-Linc GR ISO Graphics Cards	
50-100.....	11.36
150-500.....	10.96
550-950.....	10.56
1000+.....	10.16
1508-134 Prox-Linc KT Key Tags	
50-100.....	11.92
150-500.....	11.52
550-950.....	11.12
1000+.....	10.72
Note 1: Special orders cannot be returned for credit.	

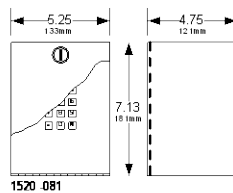
ID-Teck Proximity Card Readers



26-Bit Wiegand Output



RS-485 Output



Relay Output

26-Bit Wiegand Output

1815-215 (RF Tiny) Up to 3-inch range	218.00
1815-216 (RF 10) Up to 3-inch range	218.00
1815-217 (RF 20) Up to 3-inch range	218.00
1815-218 (RF 30) Up to 12 inch range	596.00
1815-230 (1815-216 reader w/enclosure)	306.00
1815-231 (1815-230 w/expansion board)	786.00
1504-121 (1815-217 w/intercom substation)	666.00

RS-485 Output (ACCESS PLUS ONLY)

1815-232 Up to 3-inch range	480.00
1815-235 (2354-010 w/enclosure)	300.00
2354-010 (26-Bit Wiegand to RS-485 converter)	172.00

Relay Output (Stand Alone)

1520-081 Controller only	688.00
--------------------------------	--------

- 1520 reader/controller can store up to 1000 card codes
- 3600 event history buffer
- Built-in programming keypad
- Timed anti-pass back, hold open time zones

ID-Teck Prox Cards

Note: cards will work with the following ID-Teck Prox readers only:
 1815-215, 1815-216, 1815-217, 1815-218, 1815-230, 1815-231, 1504-121

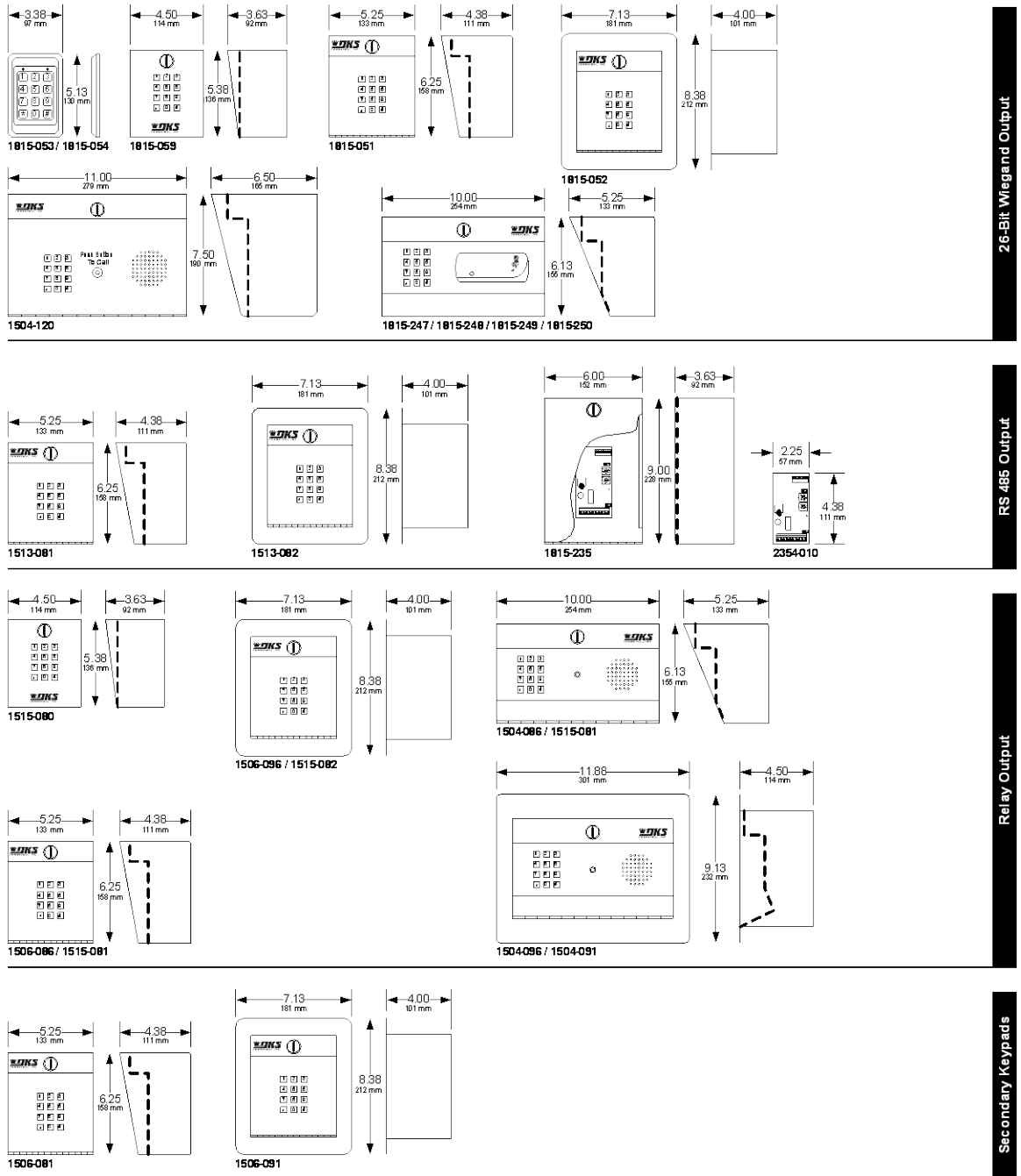
Cards are sold in blocks of 50 only.

ID-Teck Prox Cards	
These cards are factory pre-coded. Card numbers may, or may not be, in numerical sequence.	
1508-110 RF 170 Clamshell Cards	
50-100.....	6.98
150-500.....	6.58
550-950.....	6.18
1000+.....	5.78
1508-111 RF 80 ISO Graphics Cards	
50-100.....	11.26
150-500.....	10.86
550-950.....	10.46
1000+.....	10.06
1508-112 RF 50 Key Tags	
50-100.....	11.92
150-500.....	11.52
550-950.....	11.12
1000+.....	10.72

Special order cards are sold in blocks of 100 only.

ID-Teck Prox Cards - Special Order¹	
These cards include sequential coding, specific card numbers and specific start / stop numbering sequences.	
1508-136 RF 170 Clamshell Cards	
50-100.....	9.28
150-500.....	8.88
550-950.....	8.48
1000+.....	8.08
1508-137 RF 80 ISO Graphics Cards	
50-100.....	13.54
150-500.....	13.14
550-950.....	12.74
1000+.....	12.34
1508-138 RF 50 Key Tags	
50-100.....	14.22
150-500.....	13.82
550-950.....	13.42
1000+.....	13.02
Note 1: Special orders cannot be returned for credit.	

Keypads



Keypads

26-Bit Wiegand Output

These keypads must be connected to a 26-bit wiegand controller, such as the DK 1830 Series. They are not stand-alone devices.

1815-053 (Silver finish) 848.00
 1815-054 (Black finish)..... 848.00

- Vandal resistant, piezoelectric, 5-12 VDC.
- Mounts on single-gang electric box.

1815-059 Surface Mount 392.00

- NFC programming with DK Manager app (free from Google Play store), Android only.
- Low power solar mode.

1815-051 Surface Mount 506.00

1815-052 Flush Mount..... 630.00

1504-120 Surface Mount w/intercom substation 770.00

1815-247 Surface Mount 984.00

- Keypad with ID Tech (1815-216) card reader.

1815-248 Surface Mount 1020.00

- Keypad with AWID (1815-281) card reader.

1815-249 Surface Mount 1136.00

- Keypad with HID (1815-382) card reader.

1815-250 Surface Mount 942.00

- Keypad with DK Prox (1815-300) card reader.

RS-485 Output (ACCESS PLUS ONLY)

These keypads must be connected to a RS-485 controller, such as the DK Access Plus Series. They are not stand-alone devices.

1513-081 Surface Mount 516.00

1513-082 Flush Mount..... 642.00

1815-235 (2354-010 w/enclosure)..... 300.00

2354-010 (26-Bit Wiegand to RS-485 converter) 172.00

Relay Output (Stand Alone)

These keypads use a dry relay(s) contact and are designed to be used as a stand-alone device.

1506-086 Surface Mount 630.00

1506-096 Flush Mount..... 758.00

1504-086 Surface Mount w/intercom substation 780.00

1504-096 Flush Mount w/intercom substation..... 964.00

- 2 Form C dry contact relays.
- 1000 four (4) digit entry codes.
- 6 five (5) digit entry codes.
- Hold open codes.
- Time zone inputs.

1515-080 Surface Mount 372.00

1515-081 Surface Mount 496.00

1515-082 Flush Mount..... 612.00

1504-081 Surface Mount w/intercom substation 636.00

1504-091 Flush Mount w/intercom substation..... 698.00

- 1 Form C dry contact relay.
- 400 four (4) or five (5) digit entry codes.
- Hold open codes.
- NFC programming with DK Manager app (free from Google Play store), Android only.
- Low power solar mode.

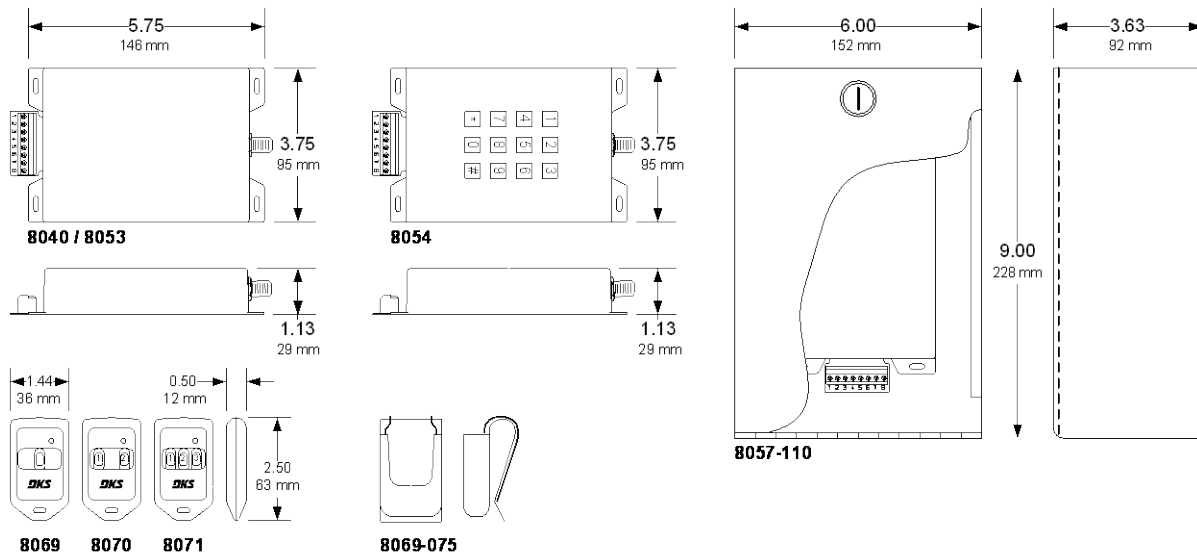
Secondary Keypad

These keypads can only be used with DK telephone entry systems.

1506-081 Surface Mount 422.00

1506-091 Flush Mount..... 548.00

MicroPLUS RF Controls



26-Bit Wiegand Output

8040-080184.00

- 5300 Transmitter codes.
- 26, 30 or 31-bit wiegand format.

8040-090184.00

- 5300 Transmitter codes.
- 26, 30 or 31-bit wiegand format.
- Compatible with Elite Series¹ DT-418 transmitters.

1. Elite Series is a registered trademark of The Chamberlain Group, Inc.

RS-485 Output (ACCESS PLUS ONLY)

8053-080208.00

- 5300 Transmitter codes.

Relay Output (Stand Alone)

8040-080 100 Transmitter codes 184.00

- Program via the “learn” method.
- Individual codes cannot be deleted.

8054-081 50 Transmitter codes 372.00

8054-082 100 Transmitter codes 436.00

8054-083 250 Transmitter codes 496.00

8054-084 500 Transmitter codes 556.00

8054-085 1000 Transmitter codes 620.00

8054-086 1250 Transmitter codes 680.00

- Built-in time clock, 10 programmable time zones.
- 2300 event history buffer.
- Can be connected to a serial printer.

Receiver Accessories

8057-110 Lockable outdoor enclosure..... 110.00

1514-073 Coax Antenna kit..... 55.04

1514-072 High Gain antenna 198.00

8052-080 Antenna Amplifier..... 228.00

MicroPlus Transmitters / ProxMitters (Transmitter w/proximity card reader built-in)

IMPORTANT! The prices shown are for block-coded transmitters ordered in multiples of 10 only. Add \$3.00 per transmitter for any order specifying transmitter numbering sequence or facility codes.

8069-080 1 Button	
10-30.....	36.00
40-100.....	34.00
110+.....	30.00
8070-080 2 Button	
10-30.....	38.00
40-100.....	36.00
110+.....	32.00
8071-080 3 Button	
10-30.....	40.00
40-100.....	38.00
110+.....	34.00

8069-087 1 Button w/DK Prox Tag	
10-30.....	45.00
40-100.....	43.00
110+.....	39.00
8070-087 2 Button w/DK Prox tag	
10-30.....	47.00
40-100.....	45.00
110+.....	41.00
8071-087 3 Button w/DK Prox Tag	
10-30.....	49.00
40-100.....	47.00
110+.....	43.00

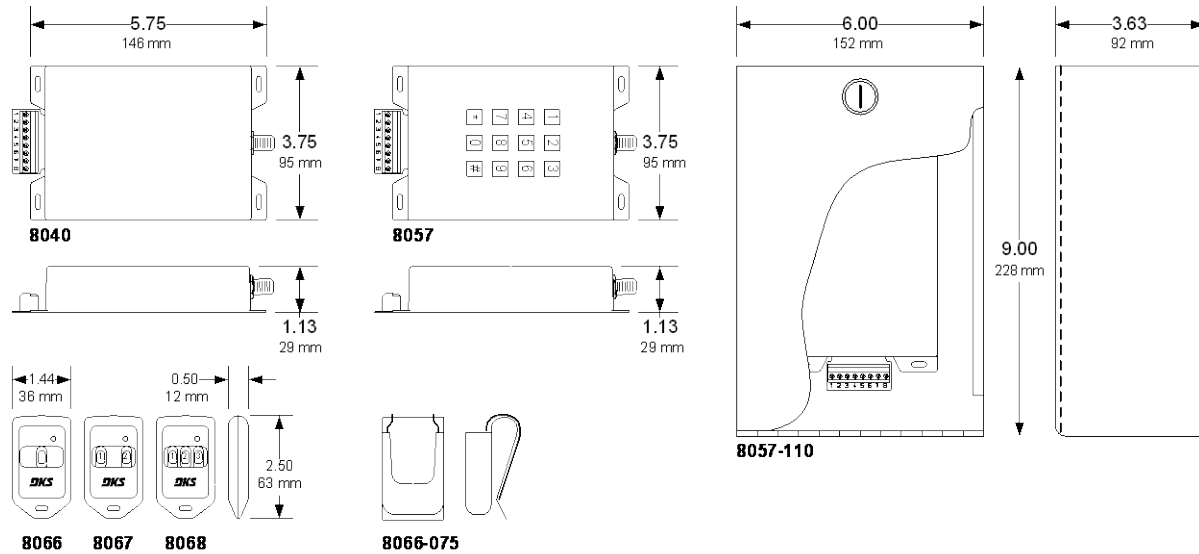
8069-082 1 Button w/AWID Tag	
10-30.....	45.00
40-100.....	43.00
110+.....	39.00
8070-082 2 Button w/AWID Tag	
10-30.....	47.00
40-100.....	45.00
110+.....	41.00
8071-082 3 Button w/AWID Tag	
10-30.....	49.00
40-100.....	47.00
110+.....	43.00

8069-084 1 Button w/HID Tag	
10-30.....	45.00
40-100.....	43.00
110+.....	39.00
8070-084 2 Button w/HID Tag	
10-30.....	47.00
40-100.....	45.00
110+.....	41.00
8071-084 3 Button w/HID Tag	
10-30.....	49.00
40-100.....	47.00
110+.....	41.00

8069-086 1 Button w/IDTeck Tag	
10-30.....	45.00
40-100.....	43.00
110+.....	39.00
8070-086 2 Button w/IDTeck Tag	
10-30.....	47.00
40-100.....	45.00
110+.....	41.00
8071-086 3 Button w/IDTeck Tag	
10-30.....	49.00
40-100.....	47.00
110+.....	43.00

MicroPlus Visor Clips (Black)	
8069-075	
1-30.....	3.78
31-100.....	3.28
101+.....	2.78

MicroClik RF Controls



26-Bit Wiegand Output

8040-080184.00

- 5300 Transmitter codes.
- 26, 30 or 31-bit wiegand format.

8040-090184.00

- 5300 Transmitter codes.
- 26, 30 or 31-bit wiegand format.
- Compatible with Elite Series¹ DT-418 transmitters.

1. Elite Series is a registered trademark of The Chamberlain Group, Inc.

Relay Output (Stand Alone)

8040-080 100 Transmitter codes 184.00

- Program via the “learn” method.
- Individual codes cannot be deleted.

8057-081 50 Transmitter codes 310.00

8057-082 100 Transmitter codes 372.00

8057-083 250 Transmitter codes 430.00

8057-084 500 Transmitter codes 496.00

8057-085 1000 Transmitter codes 556.00

8057-086 5000 Transmitter codes 620.00

8057-088 16,000 Transmitter codes 680.00

- Built-in time clock, 10 programmable time zones.
- 2300 event history buffer.
- Can be connected to a serial printer.

Receiver Accessories

8057-110 Lockable outdoor enclosure..... 110.00

1514-073 Coax Antenna kit..... 55.04

1514-072 High Gain antenna 198.00

8052-080 Antenna Amplifier 228.00

MicroClik Transmitters / ProxMitters (Transmitter w/proximity card reader built-in)

IMPORTANT! The prices shown are for block-coded transmitters ordered in multiples of 10 only. Add \$3.00 per transmitter for any order specifying transmitter numbering sequence or facility codes.

8066-080 1 Button	
10-30.....	38.00
40-100.....	36.00
110+.....	32.00
8067-080 2 Button	
10-30.....	40.00
40-100.....	38.00
110+.....	34.00
8068-080 3 Button	
10-30.....	42.00
40-100.....	40.00
110+.....	36.00

8066-085 1 Button w/DK Prox Tag	
10-30.....	47.00
40-100.....	45.00
110+.....	41.00
8067-085 2 Button w/DK Prox Tag	
10-30.....	49.00
40-100.....	47.00
110+.....	43.00
8068-085 3 Button w/DK Prox Tag	
10-30.....	51.00
40-100.....	49.00
110+.....	45.00

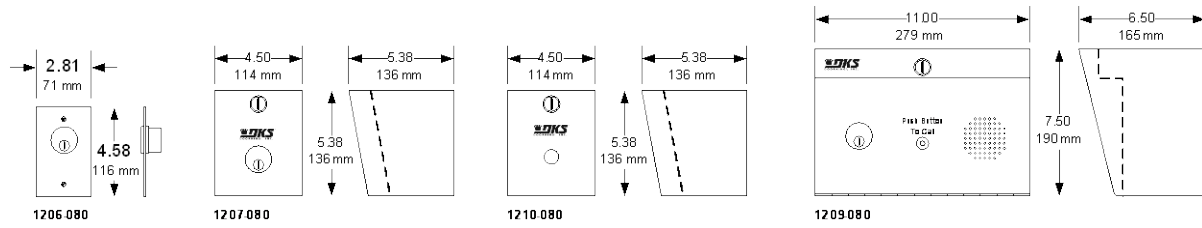
8066-082 1 Button w/AWID Tag	
10-30.....	47.00
40-100.....	45.00
110+.....	41.00
8067-082 2 Button w/AWID Tag	
10-30.....	49.00
40-100.....	47.00
110+.....	43.00
8068-082 3 Button w/AWID Tag	
10-30.....	51.00
40-100.....	49.00
110+.....	45.00

8066-083 1 Button w/HID Tag	
10-30.....	47.00
40-100.....	45.00
110+.....	41.00
8067-083 2 Button w/HID Tag	
10-30.....	49.00
40-100.....	47.00
110+.....	43.00
8068-083 3 Button w/HID Tag	
10-30.....	51.00
40-100.....	49.00
110+.....	45.00

8066-084 1 Button w/IDTeck Tag	
10-30.....	47.00
40-100.....	45.00
110+.....	41.00
8067-084 2 Button w/IDTeck Tag	
10-30.....	49.00
40-100.....	47.00
110+.....	43.00
8068-084 3 Button w/IDTeck Tag	
10-30.....	51.00
40-100.....	49.00
110+.....	45.00

MicroClik Visor Clips (Gray)	
8066-075	
1-30.....	3.78
31-100.....	3.28
101+.....	2.78

Key Switches



Mortise Key Cylinder

1206-08094.60

- N.O. or N.C. operation.
- Mounts in single-gang electric box.
- Indoor use only.

1207-080248.00

- N.O. or N.C. operation.
- Surface mount non-lighted enclosure.
- Indoor or outdoor use.

1209-080422.00

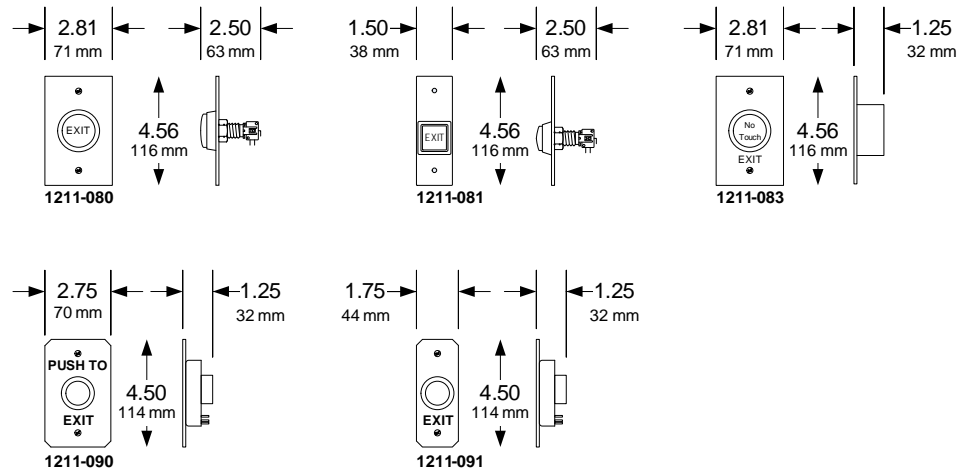
- N.O. or N.C. operation.
- Surface mount lighted enclosure.
- Indoor or outdoor use.
- Intercom substation.

Ace Key Cylinder

1210-080.....248.00

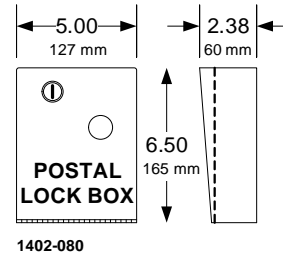
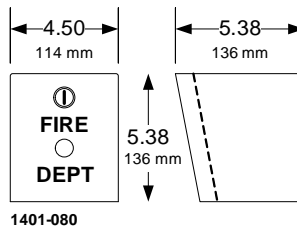
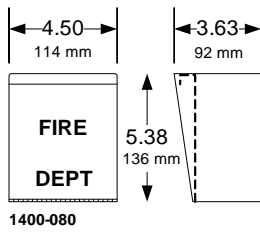
- N.O. or N.C. operation.
- Surface mount non-lighted enclosure.
- Indoor or outdoor use.

Push Buttons



Push Button Switch		Piezoelectric Switch	
1211-080.....	59.64	1211-090.....	342.00
<ul style="list-style-type: none"> Stainless steel faceplate. Mounts in single-gang electric box. Requires 12-VDC power to illuminate exit button. Indoor use only. 		<ul style="list-style-type: none"> Vandal resistant stainless steel faceplate. Selectable illumination status (red, green). Mounts in single-gang electric box. Requires 12-24 VDC power. 	
1211-081.....	55.04	1211-091.....	342.00
<ul style="list-style-type: none"> Stainless steel faceplate. Mullion mount. Requires 12-VDC power to illuminate exit button. Indoor use only. 		<ul style="list-style-type: none"> Vandal resistant stainless steel faceplate. Selectable illumination status (red, green). Mullion mount. Requires 12-24 VDC power. 	
1211-083.....	103.18		
<ul style="list-style-type: none"> No Touch exit button. Stainless steel faceplate. Mounts in single-gang electric box. Requires 12-VDC power. Indoor use only. 			

Lock Boxes



Fire Department Lock Box

1400-080.....116.00

- Accepts Fire Department padlock.
- Surface or post mounted.
- Painted bright red.
- Constant contact switch when padlock is removed and the door is open.

1401-080.....116.00

- Accepts Knox 3501 key switch.
- Surface or post mounted.
- Faceplate painted bright red.

Postal Service Lock Box

1402-080..... 126.00

- Accepts standard postal key lock.
- Surface or post mount.
- Painted Postal blue.
- Postal lock can be installed to either activate a door or gate, or simply open the postal box.

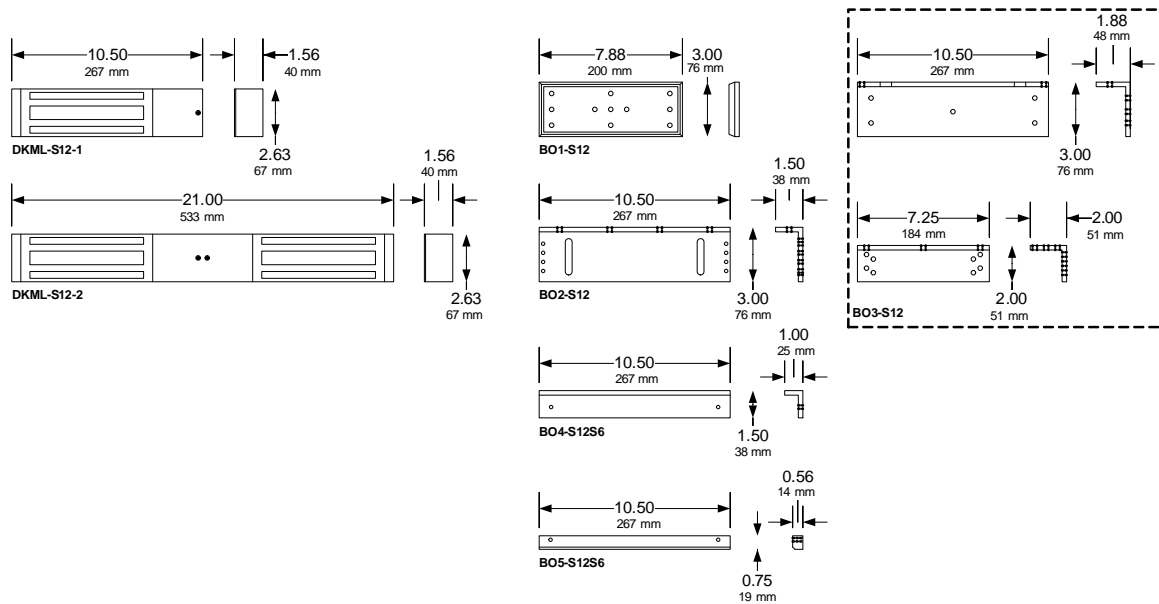
Replacement Components

Electronic Components

LED Light Kits	
1804-701.....	22.94
Use with 1209, 1504, 1506	
1804-705.....	22.94
Use with 1520 and lighted card readers	
1804-706.....	22.94
Use with 1503	

Magnetic Door Locks

1200 Lb (544 Kg) Door Locks



Single Door Locks Surface Mount

DKML-S12-1.....	356.00
DKML-S12-1L.....	440.00
DKML-S12-1LT.....	466.00

Dual Door Locks Surface Mount

DKML-S12-2.....	698.00
DKML-S12-2L.....	868.00
DKML-S12-2LT.....	912.00

- Locks operate on 12 or 24 Volt DC power.
- "L" includes LED status indicator.
- "T" includes built-in time delay.

Mounting Brackets

BO1-S12 Armature Bracket.....	55.04
BO2-S12 L Bracket.....	55.04
BO4-S12S6 Angle Bracket.....	61.16
BO5-S12S6 Spacer Bar.....	49.48
BO3-S12 L & Z Bracket Kit.....	136.00

Back-up Power Supply / Charger

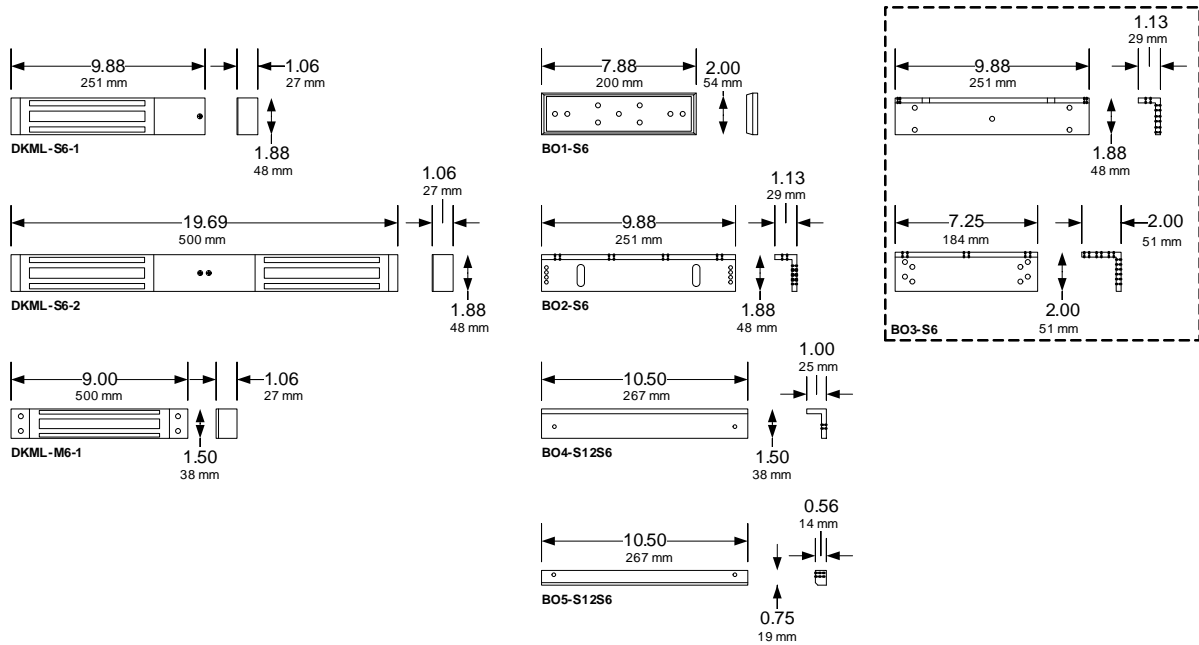
1215-130 12/24 Volt @ 1 Amp.....	274.00
1215-131 12/24 Volt @ 2.5 Amp.....	470.00
1215-132 12/24 Volt @ 3 Amp.....	584.00
1215-133 12/24 Volt @ 6 Amp.....	848.00
• Requires two (2) 12 Volt, 7 Ah SLA batteries (not included).	

DC Lock Power Transformers

1812-020 12 Volt, 1000 mA.....	49.16
1812-139 24 Volt, 500 mA.....	55.04

Magnetic Door Locks

600 Lb (272 Kg) Door Locks



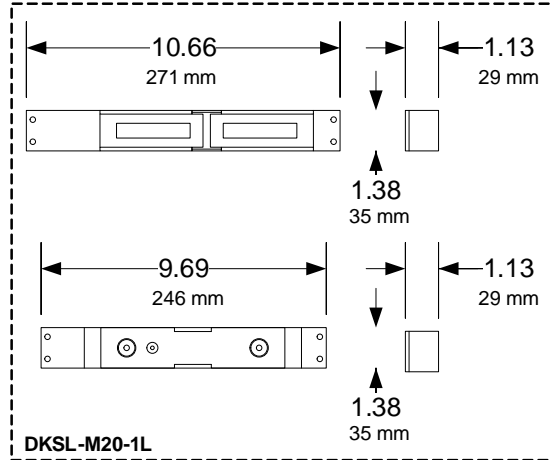
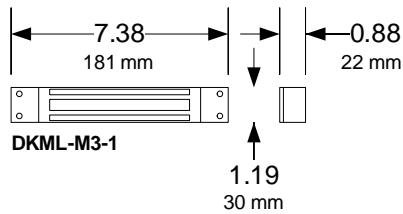
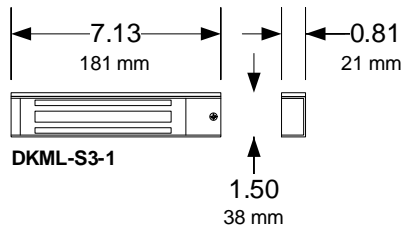
Single Door Locks Surface Mount	
DKML-S6-1	328.00
DKML-S6-1L	366.00
DKML-S6-1LT	404.00
Single Door Locks Mortise Mount	
DKML-M6-1	270.00
DKML-M6-1L	296.00
DKML-M6-1LT	322.00
Dual Door Locks Surface Mount	
DKML-S6-2	638.00
DKML-S6-2L	722.00
DKML-S6-2LT	780.00

- Locks operate on 12 or 24 Volt DC power.
- "L" includes LED status indicator.
- "T" includes built-in time delay.

Mounting Brackets	
BO1-S6 Armature Bracket	55.04
BO2-S6 L Bracket	55.04
BO4-S12S6 Angle Bracket	61.16
BO5-S12S6 Spacer Bar	49.48
BO3-S6 L & Z Bracket Kit	136.00
Back-up Power Supply / Charger	
1215-130 12/24 Volt @ 1 Amp	274.00
1215-131 12/24 Volt @ 2.5 Amp	470.00
1215-132 12/24 Volt @ 3 Amp	584.00
1215-133 12/24 Volt @ 6 Amp	848.00
• Requires two (2) 12 Volt, 7 Ah SLA batteries (not included).	
DC Lock Power Transformers	
1812-020 12 Volt, 1000 mA	49.16
1812-139 24 Volt, 500 mA	55.04

Magnetic Door Locks

300 Lb (136 Kg) Mini-locks and 2000 Lb (907 Kg) Shear Lock



300 Lb. Door Locks

DKML-S3-1 Surface Mount	272.00
DKML-M3-1 Mortise Mount	272.00

2000 Lb. Shear Lock Surface Mount

DKSL-M20-1L	522.00
-------------------	--------

- Locks operate on 12 or 24 Volt DC power.
- Shear lock includes LED status indicator and built-in signal relay.

Back-up Power Supply / Charger

1215-130 12/24 Volt @ 1 Amp.....	274.00
1215-131 12/24 Volt @ 2.5 Amp.....	470.00
1215-132 12/24 Volt @ 3 Amp.....	584.00
1215-133 12/24 Volt @ 6 Amp.....	848.00

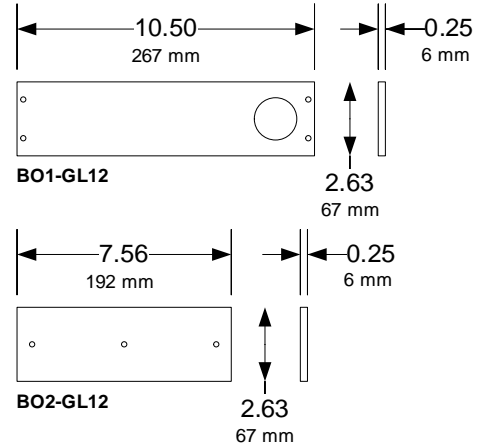
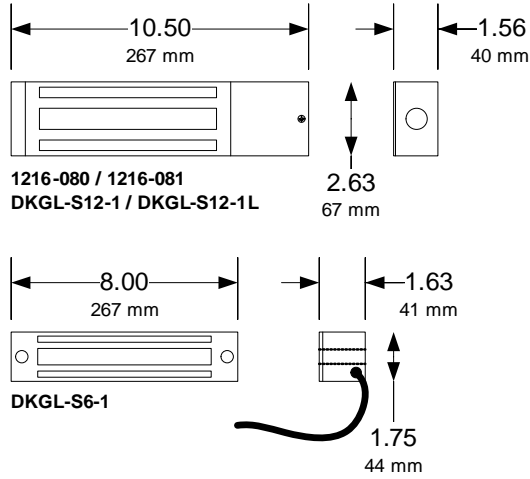
- Requires two (2) 12 Volt, 7 Ah SLA batteries (not included).

DC Lock Power Transformers

1812-020 12 Volt, 1000 mA.....	49.16
1812-139 24 Volt, 500 mA.....	55.04

Magnetic Gate Locks

600 Lb (272 Kg) and 1200 Lb (544 Kg) Gate Locks



1200 Lb. Gate Lock Kits Surface Mount

1216-080.....	452.00
1216-081.....	534.00

- 1216-081 has built-in signal relay.
- Kits include predrilled and tapped mounting brackets, BO1-GL12 and BO2-GL12.

1200 Lb. Gate Locks Top, Bottom or Face Mount

DKGL-S12-1.....	378.00
DKGL-S12-1L w/Signal Relay	462.00

600 Lb. Gate Lock Face Mount Only

DKGL-S6-1 w/Signal Relay	350.00
--------------------------------	--------

- Gate locks operate on 12 or 24 Volt DC power.

Mounting Brackets

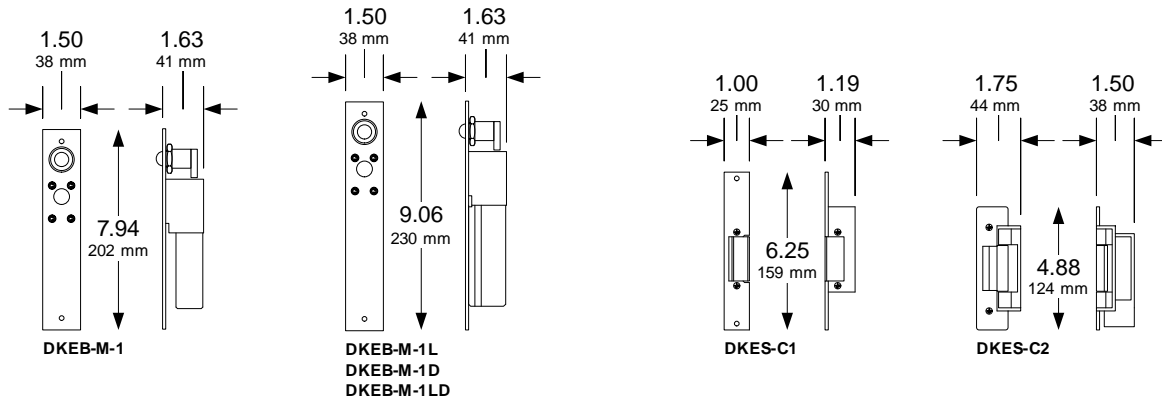
BO1-GL12 Lock Bracket	76.44
BO2-GL12 Armature Bracket	65.52

DC Lock Power Transformers - Regulated

1812-020 12 Volt, 1000 mA.....	49.16
1812-139 24 Volt, 500 mA.....	55.04

Electric Door Locks

Dead-bolts and Strikes



Dead-bolt Door Locks

DKEB-M-1	384.00
DKEB-M-1L	404.00
DKEB-M-1D	404.00
DKEB-M-1LD	422.00

- "L" includes sensor to indicate locked or unlocked condition.
- "D" includes door sensor to indicate an open or closed door.

Electric Strikes 11/32 inch (8.74 mm) keeper

DKES-C1-1FX	66.50
DKES-C1-1FS	68.80

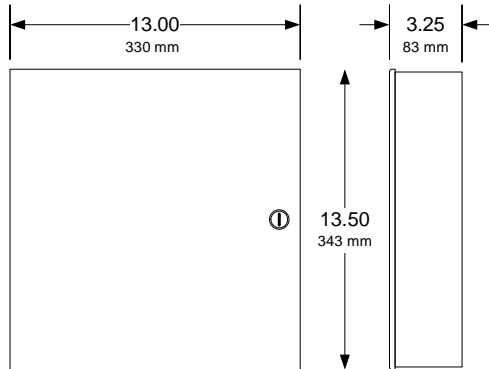
Electric Strikes 20/32 inch (15.88 mm) keeper

DKES-C2-1FX	82.56
DKES-C2-1FS	86.00

- FX = Fail Secure
- FS = Fail Safe

Magnetic Door Lock Power Supply

Power Supply / Battery Charger



Magnetic Door Lock Power Supplies¹	
1215-130 12/24 Volt @ 1 Amp.....	274.00
1215-131 12/24 Volt @ 2.5 Amp.....	470.00
1215-132 12/24 Volt @ 3 Amp.....	584.00
1215-133 12/24 Volt @ 6 Amp.....	848.00
<ul style="list-style-type: none"> Requires two (2) 12 Volt, 7 Ah SLA batteries (not included). 	

Agency Listings				
Agency	1215-130	1215-131	1215-132	1215-133
UL 294 Access Control Systems	X	X	X	X
CSA C22.2 No. 205-M1983	X	X	X	X
MEA NYC Dept. of Building Safety	X	X	X	X
NFPA 101 Life Safety	X			
UL 603 Burglar Alarm Systems		X	X	
UL 1069 Hospital Signaling / Nurse Call Equipment		X	X	
UL 1481 Power Supply for Fire Signaling Systems		X	X	X
CSFM California State Fire Marshall Approved		X	X	X
NFPA 72		X	X	X
FM Approved			X	X