



## Entry System Connection Options – Your Choice

For more information, please visit:

<http://www.doorking.com/connect> and <http://www.doorking.com/imserver> and <http://www.doorking.com/cellular>

### 4G-LTE Cellular Service (Plug & Play)

- Voice and Programming (wireless via the cellular network)
- DKS Cellular (subscription based service)

### Internet (VoIP) Connection (Plug & Play)

- Voice and Programming (wired connection)
- DKS Internet or VoIP subscription service required
- Requires 1830-186 Network Adapter for programming
- Requires 1815-530 VoIP adapter for DKS VoIP or use third party VoIP adapter<sup>1</sup>
- Plug & Play for LAN and WAN connections

*1: DoorKing does not guarantee third party VoIP service. Third party VoIP subscription may be required.*

### Internet (VoIP) Connection (Manual IP Configuration)

- Voice and Programming (wired connection)
- Manual setup – requires 1830-185 Network adapter
- Manual setup required: determine Default Gateway, set your IP address, setup Port Forwarding, configure Firewall for access, order Static IP address from internet provider or setup DDNS host account
- Compatible with most VoIP providers<sup>1</sup>

*1: DoorKing does not guarantee third party VoIP service. Third party VoIP subscription may be required.*

### Land Line Telephone Service<sup>3</sup> (POTS line, Cable or Fiber<sup>1</sup>)

- Voice and Programming (wired connection)
- Programming options:
  - IM Server Modem (subscription based service)
  - Modem to Modem<sup>2</sup>

*1: Not applicable if Cable or Fiber is a cloud based telephone service.*

*2: Not compatible with all modems. Requires phone line and modem at programming PC.*

*3: DoorKing does not recommend using POTS (Plain Old Telephone Service) as a connection option and does not guarantee modem connections as many phone company services and switches no longer support modem communications.*

### TTY Connection Options

- Allows hearing impaired persons to connect their TTY device to the telephone entry system.
- P/N 1830-310 is factory installed at time of order.
- P/N 1830-315 is an add-on device that can be added to the telephone entry system at any time.

## Table of Contents

### Telephone Entry & Access Control

Model 1802 .....	4
Model 1803 .....	6
Model 1808 .....	8
Model 1810 .....	10
Model 1812 .....	12
Model 1819 .....	14
Model 1816/1820 .....	16
Model 1833 .....	18
Model 1834 .....	20
Model 1835 .....	22
Model 1837 .....	24
Model 1838 .....	26
Model 1838 Access Plus .....	28

### Accessories

Connection Options .....	30
Elevator Control .....	31
Tracker Expansion Boards .....	32
Wireless Kits for Tracker Expansion Boards .....	33
Telephone Entry Systems Mounting Kits .....	34
Light Kits .....	35
Add-on Directories .....	36
Utility Enclosures .....	37
Accessories .....	38
Replacement Components .....	39

# 1802 Telephone Entry System

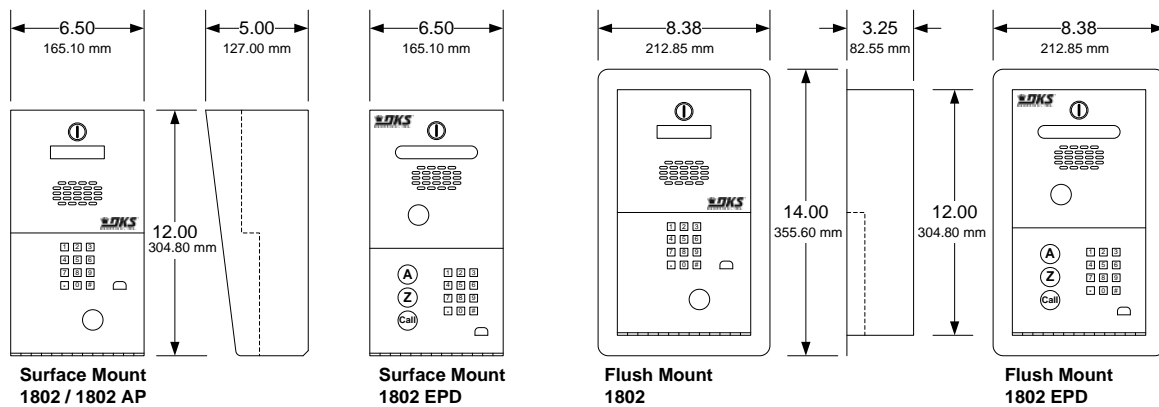
Residential, Commercial

## 1802 / 1802 EPD

- Hands free full duplex voice communication
- Programmable Directory Codes (1-4 digits)
- 16-digit dialing
- Includes 16 VAC power transformer
- Backlit keypad and A-Z-CALL buttons (EPD only)

## 1802 AP (Access Plus) ONLY

- Control up to 8 entry points
- IP Addressable
- PC Programmable
- 2-Digit directory codes
- 20-digit dialing
- Includes 16 VAC power transformer



Model	Phone Numbers	Directory <sup>6</sup> Names	Entry Codes <sup>1</sup>	Device Codes <sup>2</sup>	Relays	Auxiliary Inputs <sup>3</sup>	Expansion <sup>4</sup>	PC Programmable <sup>5</sup>	Temporary Codes	Holiday Schedules
1802	600	N/A	1000	0	2	1	No	No	5	No
1802EPD	100	100	100	0	2	1	No	No	5	No
1802AP	27	N/A	50	100	2	2	6 Max	Yes	10	Yes

1. Entry codes are four (4) digits only and are not the same as device codes. Entry codes grant access when entered on the entry system keypad (or secondary keypad) only.
2. Device codes refer to any five (5) digit RS-485 device used to access an entry point, such as cards, transmitters or PINs (Personal Identification Number). Five (5) digit device codes can also be used on the system keypad.
3. 1802 and 1802EPD, auxiliary input allows a switch closure to activate relay 2, or can be set to auto-dial a preprogrammed telephone number. 1802 AP uses a standard RS-485 data input.
4. Six (6) additional entry points can be controlled via RS-485 card readers, AVID tag readers, RF receivers or digital keypads.
5. AP Programming software available for free download at [doorking.com](http://doorking.com).
6. Single line 16 character 5/16 LCD display.

# 1802 Telephone Entry System

## Residential, Commercial

### 1802 Telephone Entry Systems

1802-082 Surface Mount .....	1172.00
1802-089 Flush Mount.....	1468.00
1802-090 Surface Mount EPD .....	1434.00
1802-091 Flush Mount EPD.....	1732.00
1802-092 Surface Mount AP (Access Plus).....	1834.00

### Service Connection Options

1800-081 Cellular Voice + Data <sup>1,2</sup> .....	622.00
1801-080 Cellular Voice Only <sup>1,3</sup> .....	414.00

- 1 - Cellular service plan required (provided by DoorKing).
- 2 - Use with 1802 AP model.
- 3 - Use with 1802 and 1802 EPD models.

### 1802 Lobby Panel

1802-083.....	872.00
1802-094.....	1168.00

Lobby panels can only be used with the 1816 or 1820 telephone intercom system. They cannot be connected directly to telephone service.

### Accessories

1701-080 20-Name Directory.....	148.00
1702-080 60-Name Directory.....	218.00
1710-080 200-Name Directory Surface Mount .....	460.00
1710-081 200-Name Directory Flush Mount.....	460.00

1506-081 Secondary Keypad surface mount.....	422.00
1506-091 Secondary Keypad flush mount .....	548.00
1804-193 External Speaker .....	192.00
1801-008 Backup Battery 12-Volt .8 Ah .....	87.16
2600-588 Heater Kit (1802, 1802 AP) .....	206.00
2600-582 LCD Heater (1802 EPD).....	50.46
1812-145 CCTV Color Camera .....	974.00
1807-012 Handset Kit (surface mount only) .....	402.00
1802-111 Post Mount Adapter Plate <sup>1</sup> .....	158.00

1. Required if mounting 1802 to gooseneck post.

1830-310 TTY Add-on Factory Installed .....	298.00
1830-315 TTY Add-on Kit .....	332.00

### 1802 AP (ACCESS PLUS ONLY) Expansion Options

2354-010 Conversion Board .....	172.00
1815-235 Conversion Board w/Enclosure .....	300.00
<i>Converts 26-bit Wiegand to RS-485. Requires 12-16 VDC power.</i>	
1812-020 12-VDC, 1A Transformer .....	49.16
1200-080 Transformer Box.....	222.00

1816-083 Intercom Phone Expansion.....	1090.00
--	---------

*The 1816-083 expands the "No Phone Line" telephone intercom interface on Access Plus systems from a single phone line up to 11 phone lines. The system can be further expanded to interface with up to a maximum of 23 phone lines.*

### RS-485 Card Readers (ACCESS PLUS ONLY)

1815-332 DK Prox Reader .....	412.00
1815-232 ID Tech Reader .....	480.00
1815-233 AWID Reader.....	492.00
1815-234 HID Reader .....	872.00

### RS-485 Keypads (ACCESS PLUS ONLY)

1513-081 Surface Mount.....	516.00
1513-082 Flush Mount .....	642.00

### RS-485 RF Controls (ACCESS PLUS ONLY)

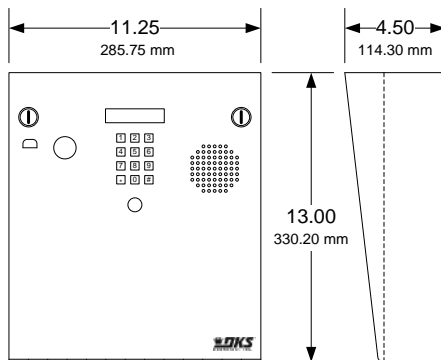
8053-080 MicroPlus Receiver .....	208.00
-----------------------------------	--------

## 1803 Telephone Entry System

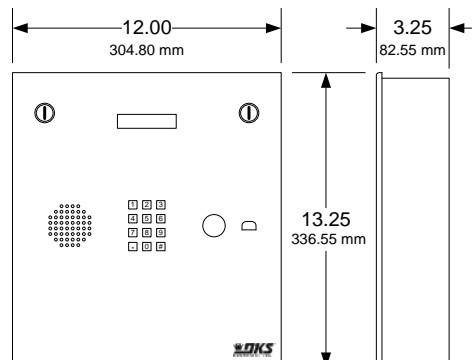
Residential, Commercial

### 1803

- Hands free full duplex voice communication
- Programmable Directory Codes (1-4 digits)
- 16-digit dialing
- Includes 16 VAC power transformer
- Stainless steel faceplate
- Galvanized steel sub-plate
- Metal keypads and buttons
- Postal lock provision



Surface Mount



Flush Mount

Model	Phone Numbers	Directory Names	Entry Codes <sup>1</sup>	Device Codes <sup>2</sup>	Relays	Auxiliary Inputs <sup>3</sup>	Expansion <sup>4</sup>	PC Programmable <sup>5</sup>	Temporary Codes	Holiday Schedules
1803	600	N/A	1000	0	2	1	No	No	5	No

1. Entry codes are four (4) digits only and are not the same as device codes. Entry codes grant access when entered on the entry system keypad (or secondary keypad) only.
2. Device codes are not used with the 1803.
3. 1803 auxiliary input allows a switch closure to activate relay 2, or can be set to auto-dial a preprogrammed telephone number.

# 1803 Telephone Entry System

## Residential, Commercial

### 1803 Telephone Entry Systems

1803-080 Surface Mount .....	1538.00
1803-084 Flush Mount.....	1538.00

### 1803 Lobby Panels

1803-090 Surface Mount .....	1020.00
1803-092 Flush Mount.....	1020.00

*Lobby panels can only be used with the 1816 or 1820 telephone intercom system. They cannot be connected directly to telephone service.*

### Service Connection Options

1801-080 Cellular Voice Only <sup>1</sup> .....	414.00
---	--------

*1 - Cellular service plan required (provided by DoorKing)*

### Mounting Accessories

1803-150 Surface Mount Recess Kit.....	224.00
1814-165 Flush Mount Kit Stainless Steel .....	378.00

### Accessories

1701-080 20-Name Directory.....	148.00
1702-080 60-Name Directory.....	218.00
1710-080 Large Directory Surface Mount .....	460.00
1710-081 Large Directory Flush Mount.....	460.00

1506-081 Secondary Keypad surface mount.....	422.00
1506-091 Secondary Keypad flush mount.....	548.00
1720-080 LED Light Kit .....	422.00
1804-193 External Speaker .....	192.00
1801-008 Backup Battery 12-Volt .8 Ah .....	87.16
2600-584 Heater Kit .....	162.00
1812-145 CCTV Color Camera .....	974.00
1807-012 Handset Kit ( <i>surface mount only</i> ) .....	402.00

1830-310 TTY Add-on Factory Installed.....	298.00
1830-315 TTY Add-on Kit.....	332.00

## 1808 Telephone Entry System

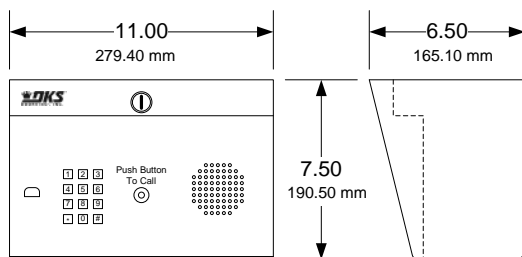
Residential, Commercial

### 1808

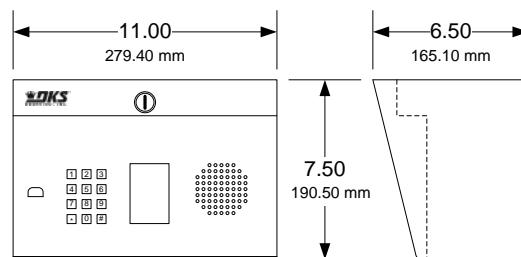
- Hands free full duplex voice communication
- Programmable Directory Codes (1-4 digits)
- 16-digit dialing
- Includes 16 VAC power transformer

### 1808 AP (Access Plus) ONLY

- Control up to 8 entry points
- IP Addressable
- PC Programmable
- 2-Digit directory codes
- 20-digit dialing
- Includes 16 VAC power transformer



**Surface Mount  
1808**



**Surface Mount w/Directory  
1808 / 1808 AP**

Model	Phone Numbers	Directory Names	Entry Codes <sup>1</sup>	Device Codes <sup>2</sup>	Relays	Auxiliary Inputs <sup>3</sup>	Expansion <sup>4</sup>	PC Programmable <sup>5</sup>	Temporary Codes	Holiday Schedules
1808	600	N/A	1000	0	2	1	No	No	5	No
1808AP	27	N/A	50	100	2	2	6 Max	Yes	10	Yes

1. Entry codes are four (4) digits only and are not the same as device codes. Entry codes grant access when entered on the entry system keypad (or secondary keypad) only.
2. Device codes refer to any five (5) digit RS-485 device used to access an entry point, such as cards, transmitters or PINs (Personal Identification Number). Five (5) digit device codes can also be used on the system keypad.
3. 1808 auxiliary input allows a switch closure to activate relay 2, or can be set to auto-dial a preprogrammed telephone number. 1808 AP uses a standard RS-485 data input.
4. Six (6) additional entry points can be controlled via RS-485 card readers, AVID tag readers, RF receivers or digital keypads.
5. AP Programming software available for free download at [doorking.com](http://doorking.com).



# 1808 Telephone Entry System

## Residential, Commercial

### 1808 Telephone Entry Systems

1808-082 Surface Mount w/Directory .....	1538.00
1808-084 Surface Mount .....	1434.00
1808-085 Surface Mount AP (Access Plus).....	1834.00

### 1808 Lobby Panels

1808-081 Surface Mount .....	998.00
1808-083 Surface Mount w/Directory .....	1090.00

*Lobby panels can only be used with the 1816 or 1820 telephone intercom system. They cannot be connected directly to telephone service.*

### Service Connection Options

1800-081 Cellular Voice + Data <sup>1,2</sup> .....	622.00
1801-080 Cellular Voice Only <sup>1,3</sup> .....	414.00

- 1 - Cellular service plan required (provided by DoorKing).
- 2 - Use with 1808 AP model.
- 3 - Use with 1808 model.

### Accessories

1701-080 20-Name Directory.....	148.00
1702-080 60-Name Directory.....	218.00
1710-080 Large Directory Surface Mount.....	460.00
1710-081 Large Directory Flush Mount.....	460.00
1506-081 Secondary Keypad surface mount.....	422.00
1506-091 Secondary Keypad flush mount .....	548.00
1804-193 External Speaker .....	192.00
1801-008 Backup Battery 12-Volt .8 Ah .....	87.16
2600-588 Heater Kit.....	206.00
1812-145 CCTV Color Camera .....	974.00
1830-310 TTY Add-on Factory Installed .....	298.00
1830-315 TTY Add-on Kit .....	332.00

### 1808 AP (ACCESS PLUS ONLY) Expansion Options

2354-010 Conversion Board .....	172.00
1815-235 Conversion Board w/Enclosure .....	300.00

*Converts 26-bit Wiegand to RS-485. Requires 12-16 VDC power.*

1812-020 12-VDC, 1A Transformer .....	49.16
1200-080 Transformer Box.....	222.00

1816-083 Intercom Phone Expansion.....	1090.00
--	---------

*The 1816-083 expands the "No Phone Line" telephone intercom interface on Access Plus systems from a single phone line up to 11 phone lines. The system can be further expanded to interface with up to a maximum of 23 phone lines.*

### RS-485 Card Readers (ACCESS PLUS ONLY)

1815-332 DK Prox Reader .....	412.00
1815-232 ID Tech Reader .....	480.00
1815-233 AWID Reader.....	492.00
1815-234 HID Reader .....	872.00

### RS-485 Keypads (ACCESS PLUS ONLY)

1513-081 Surface Mount.....	516.00
1513-082 Flush Mount .....	642.00

### RS-485 RF Controls (ACCESS PLUS ONLY)

8053-080 MicroPlus Receiver.....	208.00
----------------------------------	--------

## 1810 Telephone Entry System

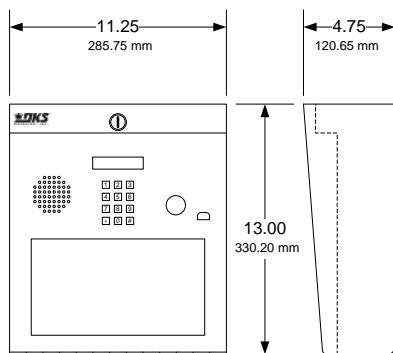
Residential, Commercial

### 1810

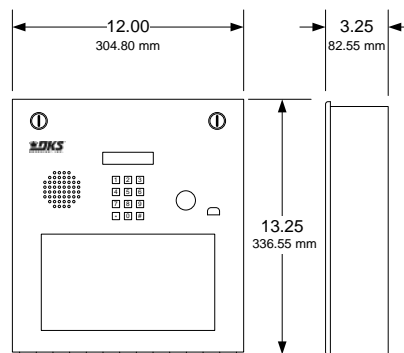
- Hands free full duplex voice communication
- Programmable Directory Codes (1-4 digits)
- 16-digit dialing
- Includes 16 VAC power transformer

### 1810 AP (Access Plus) ONLY

- Control up to 8 entry points
- IP Addressable
- PC Programmable
- 2-Digit directory codes
- 20-digit dialing
- Includes 16 VAC power transformer



Surface Mount  
1810 / 1810 AP



Flush Mount  
1810 / 1810 AP

Model	Phone Numbers	Directory Names	Entry Codes <sup>1</sup>	Device Codes <sup>2</sup>	Relays	Auxiliary Inputs <sup>3</sup>	Expansion <sup>4</sup>	PC Programmable <sup>5</sup>	Temporary Codes	Holiday Schedules
1810	600	N/A	1000	0	2	1	No	No	5	No
1810AP	27	N/A	50	100	2	2	6 Max	Yes	10	Yes

1. Entry codes are four (4) digits only and are not the same as device codes. Entry codes grant access when entered on the entry system keypad (or secondary keypad) only.
2. Device codes refer to any five (5) digit RS-485 device used to access an entry point, such as cards, transmitters or PINs (Personal Identification Number). Five (5) digit device codes can also be used on the system keypad.
3. 1810 auxiliary input allows a switch closure to activate relay 2, or can be set to auto-dial a preprogrammed telephone number. 1810 AP uses a standard RS-485 data input.
4. Six (6) additional entry points can be controlled via RS-485 card readers, AVID tag readers, RF receivers or digital keypads.
5. AP Programming software available for free download at [doorking.com](http://doorking.com).

# 1810 Telephone Entry System

## Residential, Commercial

### 1810 Telephone Entry Systems

1810-080 Surface Mount .....	1492.00
1810-084 Flush Mount.....	1492.00
1810-095 Surface Mount AP (Access Plus).....	1952.00
1810-096 Flush Mount AP (Access Plus) .....	1952.00

### 1810 Lobby Panels

1810-088 Surface Mount .....	1158.00
1810-090 Flush Mount.....	1158.00

*Lobby panels can only be used with the 1816 or 1820 telephone intercom system. They cannot be connected directly to telephone service.*

### Service Connection Options

1800-081 Cellular Voice + Data <sup>1,2</sup> .....	622.00
1801-080 Cellular Voice Only <sup>1,3</sup> .....	414.00

1 - Cellular service plan required (provided by DoorKing).  
 2 - Use with 1810 AP model.  
 3 - Use with 1810 model.

### Accessories

1803-150 Surface Mount Recess Kit .....	224.00
1814-165 Flush Mount Kit Stainless Steel .....	378.00
1814-152 Surface Mount Ring for Flush Units .....	224.00
1701-080 20-Name Directory.....	148.00
1702-080 60-Name Directory.....	218.00
1710-080 Large Directory Surface Mount .....	460.00
1710-081 Large Directory Flush Mount.....	460.00
1506-081 Secondary Keypad surface mount.....	422.00
1506-091 Secondary Keypad flush mount .....	548.00
1720-080 LED Light Kit .....	422.00
1804-193 External Speaker .....	192.00
1801-008 Backup Battery 12-Volt .8 Ah .....	87.16
2600-584 Heater Kit.....	162.00
1812-145 CCTV Color Camera .....	974.00
1807-012 Handset Kit (surface mount only).....	402.00
1830-310 TTY Add-on Factory Installed .....	298.00
1830-315 TTY Add-on Kit .....	332.00

### 1810 AP (ACCESS PLUS ONLY) Expansion Options

2354-010 Conversion Board .....	172.00
1815-235 Conversion Board w/Enclosure .....	300.00

*Converts 26-bit Wiegand to RS-485. Requires 12-16 VDC power.*

1812-020 12-VDC, 1A Transformer .....	49.16
1200-080 Transformer Box.....	222.00

1816-083 Intercom Phone Expansion..... 1090.00  
*The 1816-083 expands the "No Phone Line" telephone intercom interface on Access Plus systems from a single phone line up to 11 phone lines. The system can be further expanded to interface with up to a maximum of 23 phone lines.*

### RS-485 Card Readers (ACCESS PLUS ONLY)

1815-332 DK Prox Reader .....	412.00
1815-232 ID Tech Reader .....	480.00
1815-233 AWID Reader.....	492.00
1815-234 HID Reader .....	872.00

### RS-485 Keypads (ACCESS PLUS ONLY)

1513-081 Surface Mount.....	516.00
1513-082 Flush Mount .....	642.00

### RS-485 RF Controls (ACCESS PLUS ONLY)

8053-080 MicroPlus Receiver.....	208.00
----------------------------------	--------

# 1812 Telephone Entry System

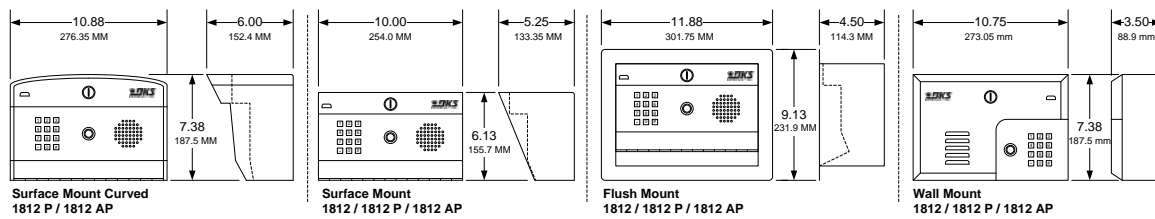
## Residential

### 1812 (Classic)

- 2-Digit directory codes
- 11-digit dialing
- Includes 24 VAC power transformer
- Call Forward Time Zones
- Do Not Disturb
- Analog Voice Circuit

### 1812 P (Plus) and 1812 AP (Access Plus)

- 2-Digit directory codes
- 20-digit dialing
- Includes 16 VAC power transformer
- Call Forward Time Zones
- Do Not Disturb Feature
- HD Digital Voice Circuit



Model	Phone Numbers	Directory Names	Entry Codes <sup>1</sup>	Device Codes <sup>2</sup>	Relays	Auxiliary Inputs <sup>3</sup>	Expansion <sup>4</sup>	PC Programmable <sup>5</sup>	Temporary Codes	Holiday Schedules
1812	3	N/A	50	0	2	1	No	No	5	No
1812P	27	N/A	50	0	2	0	No	No	10	No
1812AP	27	N/A	50	100	2	2	6 Max	Yes	10	Yes

1. Entry codes are four (4) digits on the 1812 and five (5) digits on the 1812P. Entry codes grant access when entered on the entry system keypad (or secondary keypad) only.
2. Device codes refer to any five (5) digit RS-485 device used to access an entry point, such as cards, transmitters or PINs (Personal Identification Number). Five (5) digit device codes can also be used on the system keypad.
3. 1810 auxiliary input allows a switch closure to activate relay 2, or can be set to auto-dial a preprogrammed telephone number. 1810 AP uses a standard RS-485 data input.
4. Six (6) additional entry points can be controlled via RS-485 card readers, AVID tag readers, RF receivers or digital keypads.
5. AP Programming software available for free download at [doorking.com](http://doorking.com).

# 1812 Telephone Entry System

## Residential

### 1812 Classic Systems

1812-081 Surface Mount .....	1522.00
1812-097 Surface Mount w/Camera.....	2416.00
1812-087 Flush Mount.....	1722.00
1812-088 Wall Mount .....	1722.00

### 1812 Plus Systems

1812-095 Surface Mount Curved .....	1838.00
1812-089 Surface Mount .....	1628.00
1812-098 Surface Mount w/Camera.....	2520.00
1812-091 Flush Mount.....	1828.00
1812-093 Wall Mount .....	1828.00

### 1812 Access Plus Systems

1812-096 Surface Mount Curved .....	1942.00
1812-090 Surface Mount .....	1732.00
1812-099 Surface Mount w/Camera.....	2626.00
1812-092 Flush Mount.....	1932.00
1812-094 Wall Mount .....	1932.00

### Service Connection Options

1800-081 Cellular Voice + Data <sup>1,2</sup> .....	622.00
1801-080 Cellular Voice Only <sup>1,3</sup> .....	414.00

- 1 - Cellular service plan required (provided by DoorKing).
- 2 - Use with 1812 AP model.
- 3 - Use with 1812 Classic and Plus models.

### Accessories

1812-105 Stainless Steel Surface Mount Housing <sup>1</sup> .....	254.00
1506-081 Secondary Keypad surface mount.....	422.00
1506-091 Secondary Keypad flush mount .....	548.00
2600-588 Heater Kit (for surface mount units) .....	206.00
2600-582 Heater Kit (for flush mount units) .....	50.46
1812-145 CCTV Color Camera .....	974.00
1812-074 Conversion Kit <sup>2</sup> .....	1692.00
1 - Replaces the black steel housing.	
2 - Upgrades older 1812 units to an 1812 Access Plus unit.	
1830-310 TTY Add-on Factory Installed .....	298.00
1830-315 TTY Add-on Kit .....	332.00

### 1812 AP (ACCESS PLUS ONLY) Expansion Options

2354-010 Conversion Board .....	172.00
1815-235 Conversion Board w/Enclosure .....	300.00
<i>Converts 26-bit Wiegand to RS-485. Requires 12-16 VDC power.</i>	
1812-020 12-VDC, 1A Transformer .....	49.16
1200-080 Transformer Box.....	222.00

1816-083 Intercom Phone Expansion..... 1090.00  
*The 1816-083 expands the "No Phone Line" telephone intercom interface on Access Plus systems from a single phone line up to 11 phone lines. The system can be further expanded to interface with up to a maximum of 23 phone lines.*

### RS-485 Card Readers (ACCESS PLUS ONLY)

1815-332 DK Prox Reader .....	412.00
1815-232 ID Tech Reader .....	480.00
1815-233 AWID Reader.....	492.00
1815-234 HID Reader .....	872.00

### RS-485 Keypads (ACCESS PLUS ONLY)

1513-081 Surface Mount.....	516.00
1513-082 Flush Mount .....	642.00

### RS-485 RF Controls (ACCESS PLUS ONLY)

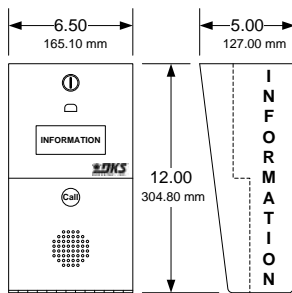
8053-080 MicroPlus Receiver .....	208.00
-----------------------------------	--------

## 1819 Information Telephone System

**Commercial**

### 1819

- Full duplex voice communication
- Stores a single phone number
- 10 and 11 digit dialing
- Call button



Surface Mount

Model	Phone Numbers	Directory	Entry Codes	Device Codes	Relays	Auxiliary Inputs	Expansion <sup>4</sup>	PC Programmable	Elevator Control	Transaction Buffer
1819	1	N/A	0	0	1	0	0	No	No	No

1. The 1819 is designed as an information phone only. Pressing the CALL button causes the system to dial to a preprogrammed telephone number.

## 1819 Information Telephone System

---

**Commercial**

### **1819 Telephone Entry System**

---

1819-080 Surface Mount ..... 1354.00

### **Service Connection Options**

---

1801-080 Cellular Voice<sup>1</sup> ..... 414.00

*1 – DKS Cellular subscription required.*

### **Accessories**

---

1801-008 Backup Battery 12-Volt .8 Ah ..... 87.16

2600-588 Heater Kit ..... 206.00

1812-145 CCTV Color Camera ..... 974.00

1802-111 Post Mount Adapter Plate<sup>1</sup> ..... 158.00

*1 - Required if mounting the unit to a goose neck post.*

## 1816 / 1820 Telephone Intercom Systems

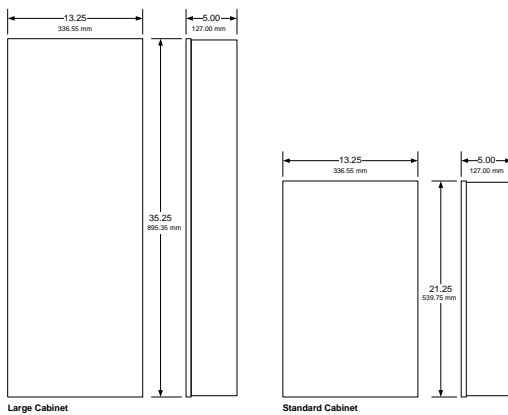
**Commercial**

### 1816

- Full duplex voice communication
- Interfaces with up to 1200 phone lines
- Tennant C.O. phone service not required
- Programmable directory codes
- Lobby panel / Doorman caller ID
- Built-in call waiting
- Do Not Disturb feature

### 1820

- Full duplex voice communication
- Interfaces with up to 1200 phone lines
- Tennant C.O. phone service not required
- Programmable directory codes
- Resident Call Down feature
- Resident programmable Call Forward feature
- Resident programmable Do-Not-Disturb Feature



Model	Phone Numbers	Directory Names	Entry Codes <sup>1</sup>	Caller ID	Relays	Doorman Phone	Resident Call-Down <sup>2</sup>	Resident Features <sup>3</sup>	Call Out Numbers	Directory Codes
1816	1200	N/A	1200	Yes	1	Yes	No	No	10	Programmable
1820	1200	N/A	1200	Yes	1	Yes	Yes	Yes	10	Programmable

1. Entry codes are four (4) digits. Entry codes grant access when entered on the entry system keypad (or secondary keypad) only.
2. The resident call-down feature allows the resident to contact the doorman directly from their telephone.
3. Resident programmable features include: Call Waiting; Do-Not-Disturb; Call Forwarding.



# 1816 / 1820 Telephone Intercom Systems

Commercial

## 1816 Systems

### Step 1: Main Control Cabinet

1816-080 Houses 13 Relay Boards (156 lines).....	2110.00
1816-082 Houses 5 Relay Boards (60 lines) .....	1860.00

Main control cabinets do not include relay boards.

### Step 2: Relay Boards

1982-010	
1 – 13 Boards .....	678.00
14 – 29 Boards .....	638.00
30 + Boards .....	598.00

One (1) relay board is required for every 12 phone lines to be interfaced.

### Step 3: Decoder Board (if required)

1881-010 Decoder Board .....	310.00
------------------------------	--------

Decoder board(s) are required if the system expands beyond five (5) relay boards. One (1) decoder board is required for every eight (8) relay boards beyond the first five (5) relay boards.

### Step 4: Auxiliary Cabinet (if required)

1816-081 Auxiliary Cabinet .....	620.00
----------------------------------	--------

Holds up to 16 relay boards and two (2) decoder boards.

### Step 5: Phone Blocks and Cables

2370-010 RJ71C Phone Block .....	272.00
1882-042 Connecting Cable .....	138.00
1882-044 Connecting Cable Special Length .....	4.96 / ft.

One (1) RJ71C is required for each relay board in the system.

One (1) connecting cable is required for each relay board in the system.

Add cost per foot to 1882-042.

### Step 6: Lobby Panels

Select lobby panels from the 1802, 1803, 1808, 1810 series pages.

## 1820 Systems

### Step 1: Main Control Cabinet

1820-080 Houses 9 Relay Boards (108 lines) .....	2110.00
1820-082 Houses 4 Relay Boards (48 lines) .....	1860.00

Main control cabinets do not include relay boards.

### Step 2: Line Interface Boards

1884-010 .....	1468.00
----------------	---------

One (1) relay board is required for every 12 phone lines to be interfaced.

### Step 3: Power Supply Boards (if required)

1886-010 .....	248.00
----------------	--------

Only required if more than 21 line interface boards are used; then one (1) required for every 21 line interface boards in the system thereafter.

1508-060 .....	55.04
----------------	-------

One (1) required for each 1886-010 power supply board.

### Step 4: Auxiliary Cabinet (if required)

1820-081 Large Auxiliary Cabinet .....	620.00
--	--------

Holds up to 12 line interface boards and one (1) power supply board.

1820-083 .....	378.00
----------------	--------

Holds up to eight (8) line interface boards or seven (7) line interface boards and one (1) power supply board.

### Step 5: Phone Blocks and Cables

2370-010 RJ71C Phone Block .....	272.00
----------------------------------	--------

One (1) RJ71C is required for each relay board in the system.

1882-042 Connecting Cable .....	138.00
---------------------------------	--------

One (1) connecting cable is required for each relay board in the system.

1882-044 Connecting Cable Special Length .....	4.96 / ft.
--	------------

Add cost per foot to 1882-042.

### Step 6: Lobby Panels

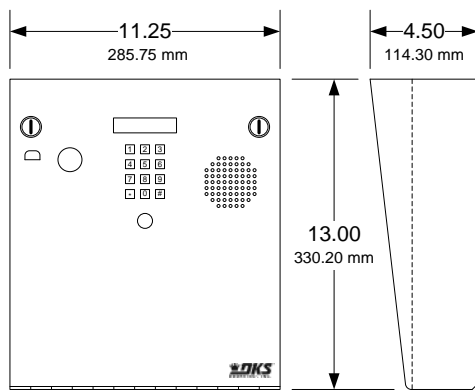
Select lobby panels from the 1802, 1803, 1808, 1810 series pages.

## 1833 Telephone Entry System

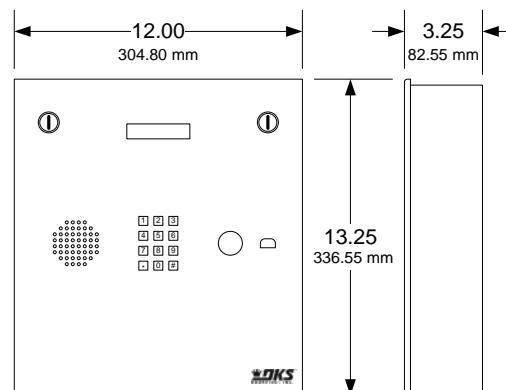
Residential, Commercial

### 1833

- Full duplex voice communication
- Stores up to 3000 phone numbers
- 255 area codes
- Programmable directory codes
- 10 and 11 digit dialing
- Built-in clock/calendar
- Three (3) built-in relays
- Two (2) 26-bit wiegand inputs
- Expandable to control up to 24 entrances
- 31 security (permission) levels
- 32 holiday schedules
- True anti-pass back features



Surface Mount



Flush Mount

Model	Phone Numbers	Directory	Entry Codes <sup>1</sup>	Device Codes <sup>2</sup>	Relays	Auxiliary Inputs <sup>3</sup>	Expansion <sup>4</sup>	PC Programmable <sup>5</sup>	Elevator Control	Transaction Buffer
1833	3000	N/A	3000	8000	3	2	48 Max	Yes	Yes	8000

1. Entry codes are four (4) digits only and are not the same as device codes. Entry codes grant access when entered on the entry system keypad (or secondary keypad) only.
2. Device codes refer to any five (5) digit 26-bit wiegand device used to access an entry point, such as cards, transmitters or PINs (Personal Identification Number). Five (5) digit device codes can also be used on the system keypad.
3. 1833 has two 26-bit wiegand inputs.
4. Up to 48 additional entry points can be controlled via card readers, AVID tag readers, RF receivers or digital keypads using tracker expansion boards.
5. Programming and transaction analysis software available for free download at [doorking.com](http://doorking.com).

# 1833 Telephone Entry Systems

## Residential, Commercial

### 1833 Telephone Entry System

1833-080 Surface Mount .....	3244.00
1833-084 Flush Mount .....	3244.00

### Service Connection Options

1800-080 Cellular Voice + Data <sup>1</sup> .....	622.00
2334-080 VoIP - TCP/IP Control Box <sup>3,5</sup> .....	550.00
1815-568 VoIP Adapter <sup>2,4</sup> .....	122.00
1830-186 Plug & Play <sup>3,4</sup> (Plug & Play) .....	218.00
1830-185 Network Adapter (Manual Setup) .....	218.00

- 1 – DKS Cellular subscription required.
- 2 – DKS VoIP subscription required.
- 3 – DKS VoIP or Data over IP subscription required.
- 4 – 1815-568 is required for voice, 1830-186 or 1830-185 is required for data
- 5 – Combines the 1815-568 and 1830-186 into a common housing with built-in ethernet switch.

### Programming Only Connection Options

1508-055 RS232 to RS422 Conversion Kit .....	1204.00
1815-037 USB to RS232 Adapter .....	172.00
1818-040 RS232 Connecting Cable (6-ft) .....	44.86

### Accessories

1803-150 Surface Mount Recess Kit .....	224.00
1814-165 Flush Mount Kit Stainless Steel .....	378.00
1814-152 Surface Mount Ring for Flush Units .....	224.00
1701-080 20-Name Directory .....	148.00
1702-080 60-Name Directory .....	218.00
1710-080 Large Directory Surface Mount .....	460.00
1710-081 Large Directory Flush Mount .....	460.00
1506-081 Secondary Keypad surface mount .....	422.00
1506-091 Secondary Keypad flush mount .....	548.00
1720-080 LED Light Kit .....	422.00
1804-193 External Speaker .....	192.00
1801-008 Backup Battery 12-Volt .8 Ah .....	87.16
2600-584 Heater Kit .....	162.00
1812-145 CCTV Color Camera .....	974.00
1807-012 Handset Kit (surface mount only) .....	402.00

### Expansion Options

2358-010 Tracker Expansion Board .....	492.00
2351-080 SGL Box <sup>1</sup> (1 board max) .....	664.00
2351-084 SGL Box <sup>1</sup> + 1489-080 RF Module .....	1088.00
2351-082 QUAD Box <sup>1</sup> Pre-wired (4 boards max) .....	1148.00

1 – Includes one (1) 2358-010 board and 16V, 40 VA transformer.

### Expansion Option Wireless Kits

2361-080 Base Board Kit <sup>1</sup> .....	802.00
1489-080 Expansion Board Kit <sup>2</sup> .....	424.00
2364-080 Single channel repeater .....	448.00
2372-080 Dual channel repeater .....	644.00

1 - One (1) base board kit is installed in the 1833 controller.  
 2 – Expansion board kit(s) are installed on each 2358 tracker board.

1514-075 2.4 GHz antenna extension kit .....	57.32
8064-046 2.4 GHz cable extension (13-ft) .....	48.90
1514-004 Replacement dome antenna .....	34.40
1514-003 Replacement 6-inch antenna .....	52.00
1514-130 Wireless range test kit .....	798.00

### Elevator Control

2348-040 <sup>1</sup> Elevator control board + hardware .....	2110.00
2348-080 <sup>2</sup> Lockable enclosure .....	2732.00
2348-081 <sup>3</sup> Lockable enclosure large .....	2980.00

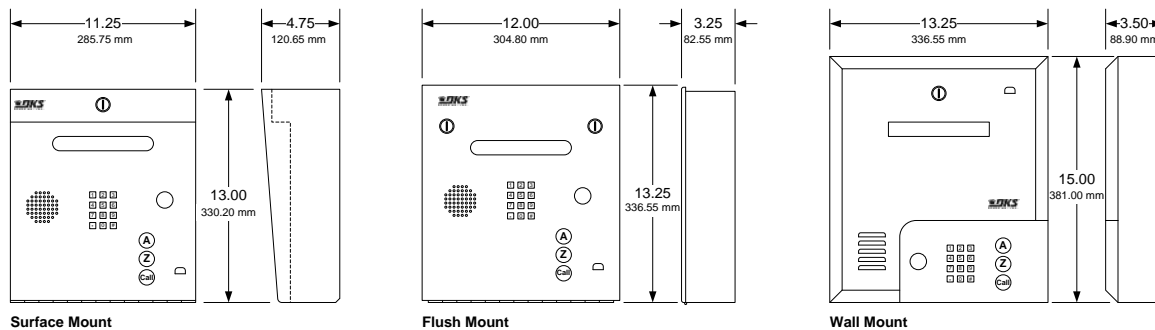
1 – Includes board and mounting hardware.  
 2 – Includes one (1) 2348-010 board. Room for two (2) boards' total.  
 3 – Includes one (1) 2340-010 board. Room for four (4) boards' total.

## 1834 Telephone Entry System

Residential, Commercial

### 1834

- Full duplex voice communication
- Stores up to 3000 phone numbers
- 255 area codes
- Programmable directory codes
- 10 and 11 digit dialing
- Two (2) built-in relays
- Eight (8) hold open time zones
- Built-in clock/calendar



Model	Phone Numbers	Directory	Entry Codes <sup>1</sup>	Device Codes <sup>2</sup>	Relays	Auxiliary Inputs <sup>3</sup>	Expansion	PC Programmable <sup>4</sup>	Elevator Control	Transaction Buffer
1834	3000	1-Line Electronic	3000	0	2	0	No	Yes	No	8000

1. Entry codes are four (4) digits only and are not the same as device codes. Entry codes grant access when entered on the entry system keypad (or secondary keypad) only.
2. Device codes refer to any five (5) digit 26-bit wiegand device used to access an entry point, such as cards, transmitters or PINs (Personal Identification Number). Five (5) digit device codes can also be used on the system keypad.
3. 1834 does not have any 26-bit wiegand inputs.
4. Programming and transaction analysis software available for free download at [doorking.com](http://doorking.com).

## 1834 Telephone Entry Systems

Residential, Commercial

### 1834 Telephone Entry System

1834-080 Surface Mount .....	2716.00
1834-084 Flush Mount .....	2716.00
1834-089 Wall Mount .....	2970.00

### Service Connection Options

1800-080 Cellular Voice + Data <sup>1</sup> .....	622.00
2334-080 VoIP - TCP/IP Control Box <sup>3,5</sup> .....	550.00
1815-568 VoIP Adapter <sup>2,4</sup> .....	122.00
1830-186 Plug & Play <sup>3,4</sup> (Plug & Play) .....	218.00
1830-185 Network Adapter (Manual Setup) .....	218.00

1 – DKS Cellular subscription required.

2 – DKS VoIP subscription required.

3 – DKS VoIP or Data over IP subscription required.

4 – 1815-568 is required for voice, 1830-186 or 1830-185 is required for data

5 – Combines the 1815-568 and 1830-186 into a common housing with built-in ethernet switch.

### Programming Only Connection Options

1508-055 RS232 to RS422 Conversion Kit .....	1204.00
1815-037 USB to RS232 Adapter .....	172.00
1818-040 RS232 Connecting Cable (6-ft) .....	44.86

### Accessories

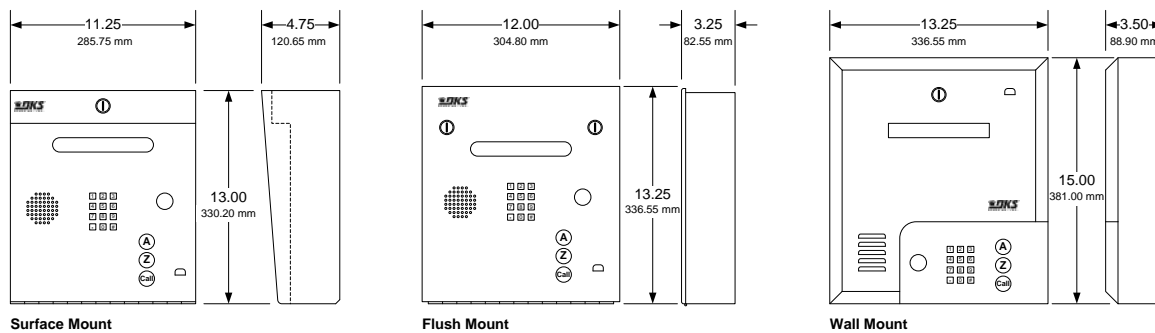
1803-150 Surface Mount Recess Kit .....	224.00
1814-165 Flush Mount Kit Stainless Steel .....	378.00
1814-152 Surface Mount Ring for Flush Units .....	224.00
1506-081 Secondary Keypad surface mount .....	422.00
1506-091 Secondary Keypad flush mount .....	548.00
1720-080 LED Light Kit .....	422.00
1804-193 External Speaker .....	192.00
1801-008 Backup Battery 12-Volt .8 Ah .....	87.16
2600-584 Heater Kit .....	162.00
1812-145 CCTV Color Camera .....	974.00
1807-012 Handset Kit (surface mount only) .....	402.00

## 1835 Telephone Entry System

Residential, Commercial

### 1835

- Full duplex voice communication
- Stores up to 3000 phone numbers
- 255 area codes
- Programmable directory codes
- 10 and 11 digit dialing
- Built-in clock/calendar
- Three (3) built-in relays
- Two (2) 26-bit wiegand inputs
- Expandable to control up to 24 entrances
- 31 security (permission) levels
- 32 holiday schedules
- True anti-pass back features



Model	Phone Numbers	Directory	Entry Codes <sup>1</sup>	Device Codes <sup>2</sup>	Relays	Auxiliary Inputs <sup>3</sup>	Expansion <sup>4</sup>	PC Programmable <sup>5</sup>	Elevator Control	Transaction Buffer
1835	3000	1-Line Electronic	3000	8000	3	2	48 Max	Yes	Yes	8000

1. Entry codes are four (4) digits only and are not the same as device codes. Entry codes grant access when entered on the entry system keypad (or secondary keypad) only.
2. Device codes refer to any five (5) digit 26-bit wiegand device used to access an entry point, such as cards, transmitters or PINs (Personal Identification Number). Five (5) digit device codes can also be used on the system keypad.
3. 1835 has two 26-bit wiegand inputs.
4. Up to 48 additional entry points can be controlled via card readers, AVID tag readers, RF receivers or digital keypads using tracker expansion boards.
5. Programming and transaction analysis software available for free download at [doorking.com](http://doorking.com).

# 1835 Telephone Entry Systems

## Residential, Commercial

### 1835 Telephone Entry System

1835-080 Surface Mount .....	3980.00
1835-084 Flush Mount .....	3980.00
1835-089 Wall Mount .....	4222.00

### Service Connection Options

1800-080 Cellular Voice + Data <sup>1</sup> .....	622.00
2334-080 VoIP - TCP/IP Control Box <sup>3,5</sup> .....	550.00
1815-568 VoIP Adapter <sup>2,4</sup> .....	122.00
1830-186 Plug & Play <sup>3,4</sup> (Plug & Play) .....	218.00
1830-185 Network Adapter (Manual Setup) .....	218.00
<i>1 – DKS Cellular subscription required.</i>	
<i>2 – DKS VoIP subscription required.</i>	
<i>3 – DKS VoIP or Data over IP subscription required.</i>	
<i>4 – 1815-568 is required for voice, 1830-186 or 1830-185 is required for data</i>	
<i>5 – Combines the 1815-568 and 1830-186 into a common housing with built-in ethernet switch.</i>	

### Programming Only Connection Options

1508-055 RS232 to RS422 Conversion Kit .....	1204.00
1815-037 USB to RS232 Adapter .....	172.00
1818-040 RS232 Connecting Cable (6-ft) .....	44.86

### Accessories

1803-150 Surface Mount Recess Kit .....	224.00
1814-165 Flush Mount Kit Stainless Steel .....	378.00
1814-152 Surface Mount Ring for Flush Units .....	224.00
1506-081 Secondary Keypad surface mount .....	422.00
1506-091 Secondary Keypad flush mount .....	548.00
1720-080 LED Light Kit .....	422.00
1804-193 External Speaker .....	192.00
1801-008 Backup Battery 12-Volt .8 Ah .....	87.16
2600-584 Heater Kit .....	162.00
1812-145 CCTV Color Camera .....	974.00
1807-012 Handset Kit (surface mount only) .....	402.00

### Expansion Options

2358-010 Tracker Expansion Board .....	492.00
2351-080 SGL Box <sup>1</sup> (1 board max) .....	664.00
2351-084 SGL Box <sup>1</sup> + 1489-080 RF Module .....	1088.00
2351-082 QUAD Box <sup>1</sup> Pre-wired (4 boards max) .....	1148.00
<i>1 – Includes one (1) 2358-010 board and 16V, 40 VA transformer.</i>	

### Expansion Option Wireless Kits

2361-080 Base Board Kit <sup>1</sup> .....	802.00
1489-080 Expansion Board Kit <sup>2</sup> .....	424.00
2364-080 Single channel repeater .....	448.00
2372-080 Dual channel repeater .....	644.00
<i>1 - One (1) base board kit is installed in the 1833 controller.</i>	
<i>2 – Expansion board kit(s) are installed on each 2358 tracker board.</i>	
1514-075 2.4 GHz antenna extension kit .....	57.32
8064-046 2.4 GHz cable extension (13-ft) .....	48.90
1514-004 Replacement dome antenna .....	34.40
1514-003 Replacement 6-inch antenna .....	52.00
1514-130 Wireless range test kit .....	798.00

### Elevator Control

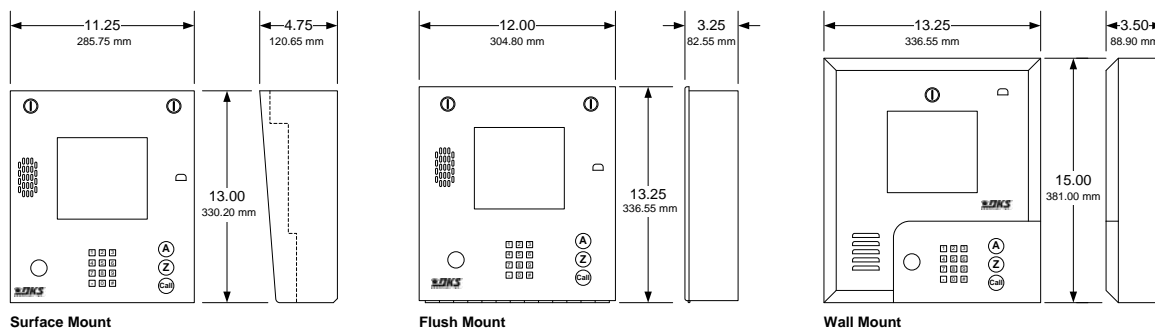
2348-040 <sup>1</sup> Elevator control board + hardware .....	2110.00
2348-080 <sup>2</sup> Lockable enclosure .....	2732.00
2348-081 <sup>3</sup> Lockable enclosure large .....	2980.00
<i>1 – Includes board and mounting hardware.</i>	
<i>2 – Includes one (1) 2348-010 board. Room for two (2) boards' total.</i>	
<i>3 – Includes one (1) 2340-010 board. Room for four (4) boards' total.</i>	

## 1837 Telephone Entry System

Residential, Commercial

### 1837

- Full duplex voice communication
- Stores up to 3000 phone numbers
- 255 area codes
- Programmable directory codes
- 10 and 11 digit dialing
- Built-in clock/calendar
- Three (3) built-in relays
- Two (2) 26-bit wiegand inputs
- Expandable to control up to 24 entrances
- 31 security (permission) levels
- 32 holiday schedules
- True anti-pass back features



Model	Phone Numbers	Directory	Entry Codes <sup>1</sup>	Device Codes <sup>2</sup>	Relays	Auxiliary Inputs <sup>3</sup>	Expansion <sup>4</sup>	PC Programmable <sup>5</sup>	Elevator Control	Transaction Buffer
1837	3000	8-Line Electronic	3000	8000	3	2	48 Max	Yes	Yes	8000

1. Entry codes are four (4) digits only and are not the same as device codes. Entry codes grant access when entered on the entry system keypad (or secondary keypad) only.
2. Device codes refer to any five (5) digit 26-bit wiegand device used to access an entry point, such as cards, transmitters or PINs (Personal Identification Number). Five (5) digit device codes can also be used on the system keypad.
3. 1837 has two 26-bit wiegand inputs.
4. Up to 48 additional entry points can be controlled via card readers, AVID tag readers, RF receivers or digital keypads using tracker expansion boards.
5. Programming and transaction analysis software available for free download at [doorking.com](http://doorking.com).



# 1837 Telephone Entry Systems

## Residential, Commercial

### 1837 Telephone Entry System

1837-080 Surface Mount .....	5848.00
1837-084 Flush Mount .....	5848.00
1837-089 Wall Mount .....	6100.00

### Service Connection Options

1800-080 Cellular Voice + Data <sup>1</sup> .....	622.00
2334-080 VoIP - TCP/IP Control Box <sup>3,5</sup> .....	550.00
1815-568 VoIP Adapter <sup>2,4</sup> .....	122.00
1830-186 Plug & Play <sup>3,4</sup> (Plug & Play) .....	218.00
1830-185 Network Adapter (Manual Setup) .....	218.00
<i>1 – DKS Cellular subscription required.</i>	
<i>2 – DKS VoIP subscription required.</i>	
<i>3 – DKS VoIP or Data over IP subscription required.</i>	
<i>4 – 1815-568 is required for voice, 1830-186 or 1830-185 is required for data</i>	
<i>5 – Combines the 1815-568 and 1830-186 into a common housing with built-in ethernet switch.</i>	

### Programming Only Connection Options

1508-055 RS232 to RS422 Conversion Kit .....	1204.00
1815-037 USB to RS232 Adapter .....	172.00
1818-040 RS232 Connecting Cable (6-ft) .....	44.86

### Accessories

1803-150 Surface Mount Recess Kit .....	224.00
1814-165 Flush Mount Kit Stainless Steel .....	378.00
1814-152 Surface Mount Ring for Flush Units .....	224.00
1506-081 Secondary Keypad surface mount .....	422.00
1506-091 Secondary Keypad flush mount .....	548.00
1720-080 LED Light Kit .....	422.00
1804-193 External Speaker .....	192.00
1801-008 Backup Battery 12-Volt .8 Ah .....	87.16
2600-584 Heater Kit .....	162.00
1812-145 CCTV Color Camera .....	974.00
1807-012 Handset Kit (surface mount only) .....	402.00

### Expansion Options

2358-010 Tracker Expansion Board .....	492.00
2351-080 SGL Box <sup>1</sup> (1 board max) .....	664.00
2351-084 SGL Box <sup>1</sup> + 1489-080 RF Module .....	1088.00
2351-082 QUAD Box <sup>1</sup> Pre-wired (4 boards max) .....	1148.00
<i>1 – Includes one (1) 2358-010 board and 16V, 40 VA transformer.</i>	

### Expansion Option Wireless Kits

2361-080 Base Board Kit <sup>1</sup> .....	802.00
1489-080 Expansion Board Kit <sup>2</sup> .....	424.00
2364-080 Single channel repeater .....	448.00
2372-080 Dual channel repeater .....	644.00
<i>1 - One (1) base board kit is installed in the 1833 controller.</i>	
<i>2 – Expansion board kit(s) are installed on each 2358 tracker board.</i>	
1514-075 2.4 GHz antenna extension kit .....	57.32
8064-046 2.4 GHz cable extension (13-ft) .....	48.90
1514-004 Replacement dome antenna .....	34.40
1514-003 Replacement 6-inch antenna .....	52.00
1514-130 Wireless range test kit .....	798.00

### Elevator Control

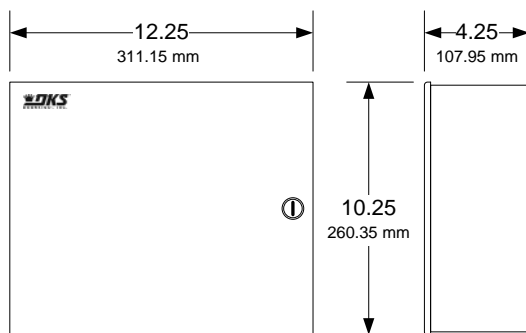
2348-040 <sup>1</sup> Elevator control board + hardware .....	2110.00
2348-080 <sup>2</sup> Lockable enclosure .....	2732.00
2348-081 <sup>3</sup> Lockable enclosure large .....	2980.00
<i>1 – Includes board and mounting hardware.</i>	
<i>2 – Includes one (1) 2348-010 board. Room for two (2) boards' total.</i>	
<i>3 – Includes one (1) 2340-010 board. Room for four (4) boards' total.</i>	

## 1838 Access Controller

**Commercial**

### 1838

- Stores up to 3000 user names
- Programmable directory codes
- Built-in clock/calendar
- Voice communication capability
- Optional plug-in programming display
- Three (3) built-in relays
- Two (2) 26-bit wiegand inputs
- Expandable to control up to 24 entrances
- 31 security (permission) levels
- 32 holiday schedules
- True anti-pass back features



Model	User Names	Directory	Entry Codes <sup>1</sup>	Device Codes <sup>2</sup>	Relays	Auxiliary Inputs <sup>3</sup>	Expansion <sup>4</sup>	PC Programmable <sup>5</sup>	Elevator Control	Transaction Buffer
1838	3000	N / A	3000	8000	3	2	48 Max	Yes	Yes	8000

1. Entry codes are four (4) digits only and are not the same as device codes. Entry codes grant access when entered on the entry system keypad (or secondary keypad) only.
2. Device codes refer to any five (5) digit 26-bit wiegand device used to access an entry point, such as cards, transmitters or PINs (Personal Identification Number). Five (5) digit device codes can also be used on the system keypad.
3. 1838 has two 26-bit wiegand inputs.
4. Up to 48 additional entry points can be controlled via card readers, AVID tag readers, RF receivers or digital keypads using tracker expansion boards.
5. Programming and transaction analysis software available for free download at [doorking.com](http://doorking.com).

# 1838 Access Controller

**Commercial**

## 1838 Access Controller

1838-081 Surface Mount ..... 1998.00

### Service Connection Options

1800-080 Cellular Voice + Data<sup>1</sup> ..... 622.00

2334-080 VoIP - TCP/IP Control Box<sup>3,5</sup> ..... 550.00

1815-568 VoIP Adapter<sup>2,4</sup> ..... 122.00

1830-186 Plug & Play<sup>3,4</sup> (Plug & Play) ..... 218.00

1830-185 Network Adapter (Manual Setup) ..... 218.00

1 – DKS Cellular subscription required.

2 – DKS VoIP subscription required.

3 – DKS VoIP or Data over IP subscription required.

4 – 1815-568 is required for voice, 1830-186 or 1830-185 is required for data

5 – Combines the 1815-568 and 1830-186 into a common housing with built-in ethernet switch.

### Programming Only Connection Options

1508-055 RS232 to RS422 Conversion Kit ..... 1204.00

1815-037 USB to RS232 Adapter ..... 172.00

1818-040 RS232 Connecting Cable (6-ft) ..... 44.86

### Call Stations<sup>1,2</sup>

1838-120 Call station w/keypad ..... 826.00

1838-121 Call Station w/ID Tech card reader ..... 666.00

1838-122 Call station w/AWID card reader ..... 654.00

1838-123 Call station w/HID card reader ..... 882.00

1838-124 Call station w/DK Prox card reader ..... 574.00

1494-010 Microphone combiner<sup>3</sup> ..... 68.80

1 – Provides voice communication via telephone communication.

2 – Requires active telephone line.

3 – Use if two call stations will share the same telephone line.

### Accessories

1838-220 1 x 20 LCD Programming Display ..... 826.00

1506-081 Secondary Keypad surface mount ..... 422.00

1506-091 Secondary Keypad flush mount ..... 548.00

1801-008 Backup Battery 12-Volt .8 Ah ..... 87.16

## Expansion Options

2358-010 Tracker Expansion Board ..... 492.00

2351-080 SGL Box<sup>1</sup> (1 board max) ..... 664.00

2351-084 SGL Box<sup>1</sup> + 1489-080 RF Module ..... 1088.00

2351-082 QUAD Box<sup>1</sup> Pre-wired (4 boards max) ..... 1148.00

1 – Includes one (1) 2358-010 board and 16V, 40 VA transformer.

### Expansion Option Wireless Kits

2361-080 Base Board Kit<sup>1</sup> ..... 802.00

1489-080 Expansion Board Kit<sup>2</sup> ..... 424.00

2364-080 Single channel repeater ..... 448.00

2372-080 Dual channel repeater ..... 644.00

1 – One (1) base board kit is installed in the 1833 controller.

2 – Expansion board kit(s) are installed on each 2358 tracker board.

1514-075 2.4 GHz antenna extension kit ..... 57.32

8064-046 2.4 GHz cable extension (13-ft) ..... 48.90

1514-004 Replacement dome antenna ..... 34.40

1514-003 Replacement 6-inch antenna ..... 52.00

1514-130 Wireless range test kit ..... 798.00

## Elevator Control

2348-040<sup>1</sup> Elevator control board + hardware ..... 2110.00

2348-080<sup>2</sup> Lockable enclosure ..... 2732.00

2348-081<sup>3</sup> Lockable enclosure large ..... 2980.00

1 – Includes board and mounting hardware.

2 – Includes one (1) 2348-010 board. Room for two (2) boards' total.

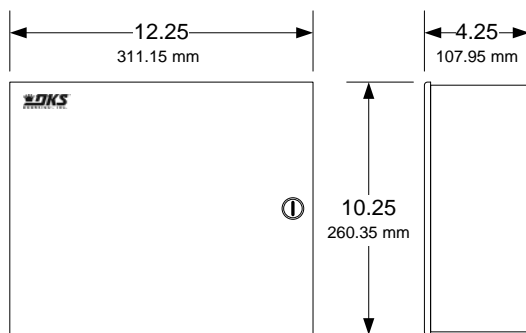
3 – Includes one (1) 2340-010 board. Room for four (4) boards' total.

## 1838 Access Plus Controller

Residential, Commercial

### 1838 AP

- Stores up to 100 user names
- Programmable directory codes
- Built-in clock/calendar
- Voice communication capability
- Optional plug-in programming display
- Control up to 8 entry points
- IP Addressable
- PC Programmable
- 2-Digit directory codes
- 20-digit dialing
- Includes 16 VAC power transformer



Model	Phone Numbers	Directory Names	Entry Codes <sup>1</sup>	Device Codes <sup>2</sup>	Relays	Auxiliary Inputs <sup>3</sup>	Expansion <sup>4</sup>	PC Programmable <sup>5</sup>	Temporary Codes	Holiday Schedules
1838 AP	27	N/A	50	100	2	2	6 Max	Yes	10	Yes

1. Entry codes are four (4) digits only and are not the same as device codes. Entry codes grant access when entered on the entry system keypad (or secondary keypad) only.
2. Device codes refer to any five (5) digit RS-485 device used to access an entry point, such as cards, transmitters or PINs (Personal Identification Number). Five (5) digit device codes can also be used on the system keypad.
3. 1838 AP uses a standard RS-485 data input.
4. Six (6) additional entry points can be controlled via RS-485 card readers, AVID tag readers, RF receivers or digital keypads.
5. AP Programming software available for free download at [doorking.com](http://doorking.com).

# 1838 Access Plus Controller

## Residential, Commercial

### 1838 Access Plus Controller

1838-095 Surface Mount ..... 1778.00

### Service Connection Options

1800-081 Cellular Voice + Data<sup>1</sup> ..... 622.00

1815-568 VoIP Adapter<sup>2</sup> ..... 122.00

*1 – DKS Cellular subscription required.*

*2 – DKS VoIP subscription required.*

### 1838 AP (ACCESS PLUS ONLY) Expansion Options

2354-010 Conversion Board ..... 172.00

1815-235 Conversion Board w/Enclosure ..... 300.00

*Converts 26-bit Wiegand to RS-485. Requires 12-16 VDC power.*

1812-020 12-VDC, 1A Transformer ..... 49.16

1200-080 Transformer Box ..... 222.00

1816-083 Intercom Phone Expansion ..... 1090.00

*The 1816-083 expands the "No Phone Line" telephone intercom interface on Access Plus systems from a single phone line up to 11 phone lines. The system can be further expanded to interface with up to a maximum of 23 phone lines.*

### RS-485 Card Readers (ACCESS PLUS ONLY) 1815-332 DK Prox Reader 412.00

1815-232 ID Tech Reader ..... 480.00

1815-233 AWID Reader ..... 492.00

1815-234 HID Reader ..... 872.00

### RS-485 Keypads (ACCESS PLUS ONLY)

1513-081 Surface Mount ..... 516.00

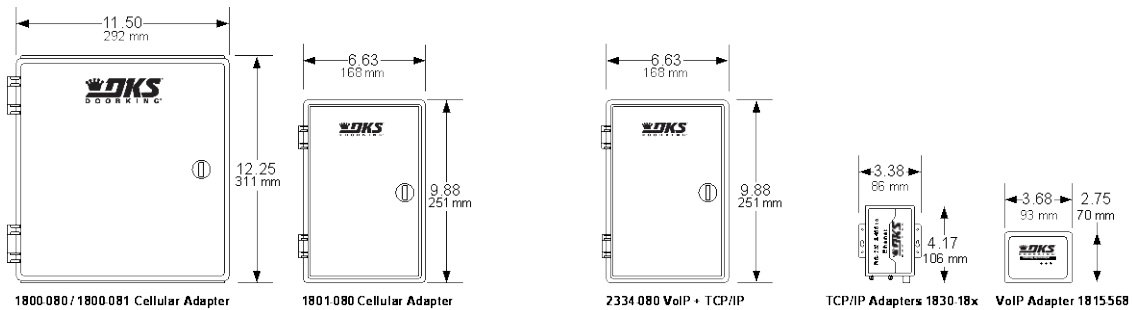
1513-082 Flush Mount ..... 642.00

### RS-485 RF Controls (ACCESS PLUS ONLY)

8053-080 MicroPlus Receiver ..... 208.00

## Connection Options

### Cellular, TCP/IP Network, VoIP

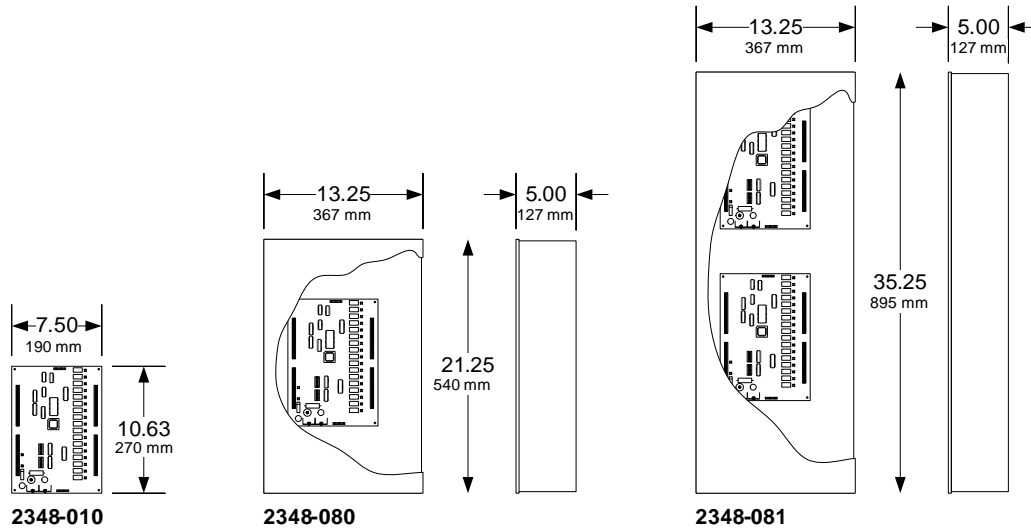


<b>Cellular<sup>1</sup></b>	
1800-080 Voice + Data .....	622.00
1800-081 Voice + Data (AP models only).....	622.00
1801-080 Voice only .....	414.00
<i>1. Cellular subscription required.</i>	
<b>VoIP – TCP/IP Control Box<sup>1,2</sup></b>	
2334-080 VoIP – TCP/IP Control Box .....	550.00
<i>1 – DKS VoIP or Data over IP subscription required.</i>	
<i>2 – Combines the 1815-568 and 1830-186 into a common housing with built-in ethernet switch.</i>	

<b>TCP/IP Network Adapters</b>	
1830-185 (Manual setup) .....	218.00
1830-186 <sup>1</sup> (Plug & Play) .....	218.00
<i>1. DKS VoIP or Data over IP subscription required.</i>	
<b>VoIP Adapter</b>	
1815-568 <sup>1</sup> .....	122.00
<i>1. DKS VoIP subscription required.</i>	

# Model 2348

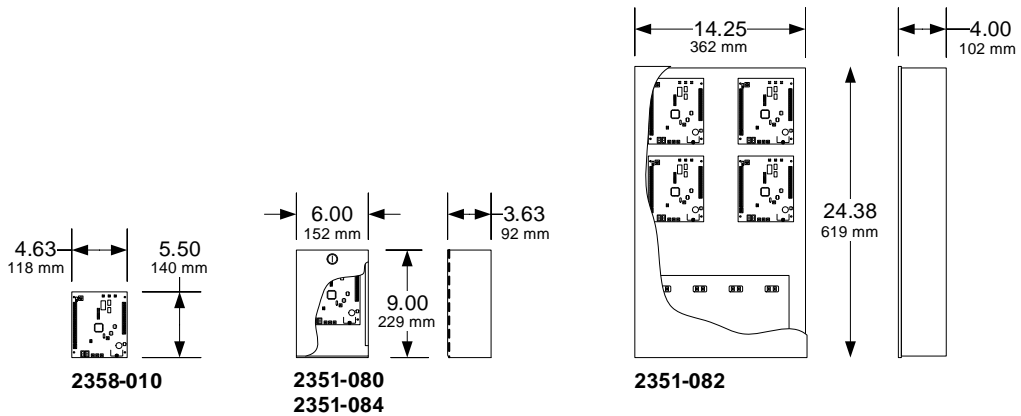
## Elevator Control



<b>Elevator Control Board</b>	
2348-040 .....	2110.00
<ul style="list-style-type: none"> <li>Includes mounting hardware.</li> </ul>	
<b>Enclosures<sup>1</sup></b>	
2348-080 .....	2732.00
<ul style="list-style-type: none"> <li>Maximum two (2) 2348 boards.</li> </ul>	
2348-081 .....	2980.00
<ul style="list-style-type: none"> <li>Maximum four (4) 2348 boards.</li> </ul>	
<p><i>1. Includes one (1) 2348 control board and power transformer.</i></p>	

## Expansion Boards

### Tracker Expansion Boards



#### Tracker Expansion Board

2358-010 .....492.00

#### Enclosures

2351-080 .....664.00

- Includes one (1) 2358-010 board and 16V, 20 VA transformer.

2351-084 .....1088.00

- Includes one (1) 2358-010 board, 1489-080 RF Module and 16V, 20 VA transformer.

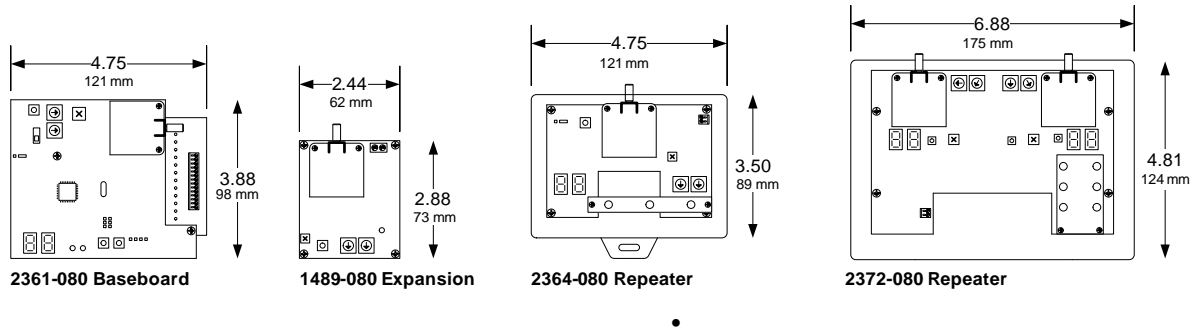
2351-082 .....1148.00

- Includes one (1) 2358-010 board and 16V, 40 VA transformer.
- Can hold a maximum four (4) 2358-010 boards.
- Pre-wired.



## Wireless Kits

### Tracker Expansion Board Wireless Kits

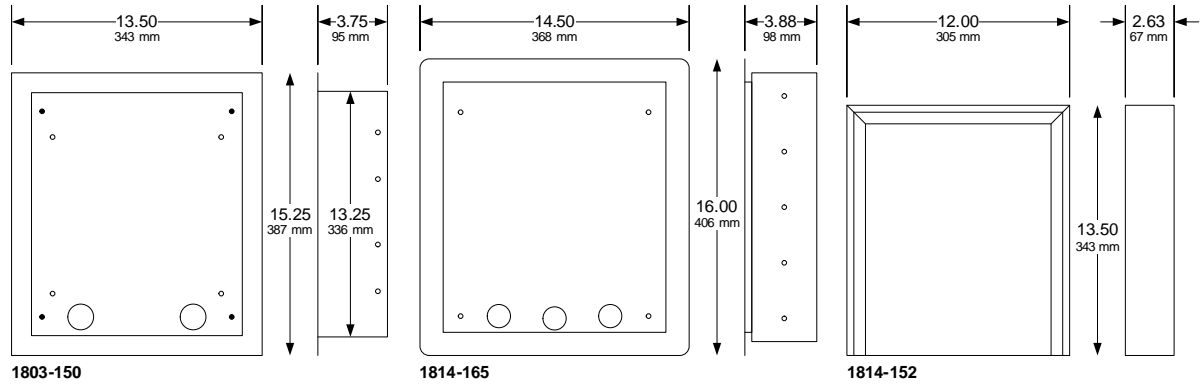


<b>Baseboard Kit</b>	
2361-080 .....	802.00
<ul style="list-style-type: none"> <li>Plugs into the 1830 series control board.</li> <li>Includes 1514-075 antenna kit and vandal resistant dome antenna.</li> </ul>	
<b>Expansion Board Kit</b>	
1489-080 .....	424.00
<ul style="list-style-type: none"> <li>Plugs into the 2358 expansion board.</li> <li>Includes 6-inch and vandal resistant dome antenna.</li> </ul>	
<b>Single Channel Repeater</b>	
2364-080 .....	448.00
<ul style="list-style-type: none"> <li>Extends the range when a single 1489 kit is in use.</li> </ul>	
<b>Dual Channel Repeater</b>	
2372-080 .....	644.00
<ul style="list-style-type: none"> <li>Extends the range when multiple 1489 kits are in use.</li> </ul>	

<b>Accessories</b>	
1514-075 Antenna Kit 2.4 GHz .....	57.32
<ul style="list-style-type: none"> <li>Includes 6-inch antenna, mounting bracket and 13-foot cable.</li> </ul>	
8064-046 Extension Cable .....	48.90
<ul style="list-style-type: none"> <li>2.4 GHz extension cable. Use with 1514-075.</li> </ul>	
1514-003 6-inch Antenna .....	52.00
1514-004 Dome Antenna .....	34.40
<b>Field Range Test Kit</b>	
1514-130 .....	798.00
<ul style="list-style-type: none"> <li>Includes a simulated Baseboard Kit, simulated Expansion Board Kit and 1514-075 Antenna Kit.</li> <li>Use to verify a good wireless connection between base and remote stations.</li> </ul>	

## Mounting Kits

### Telephone Entry System Mounting Kits



#### Surface Mount Trim Ring - Black

1803-150 ..... 224.00

- Use with surface mount 1803, 1810, 1833, 1834, 1835 and 1837 systems.

#### Flush Kit Stainless Steel

1814-165 ..... 378.00

- Use with flush mount 1803, 1810, 1833, 1834, 1835 and 1837 systems.

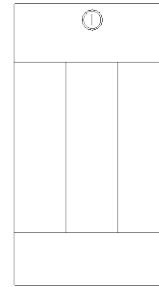
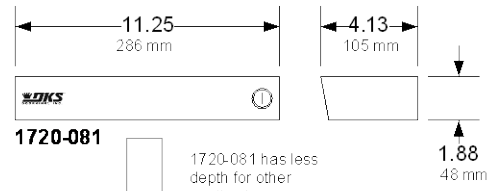
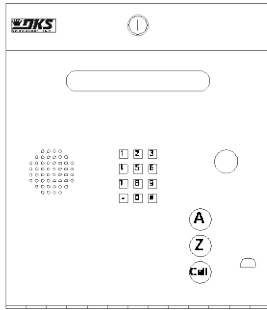
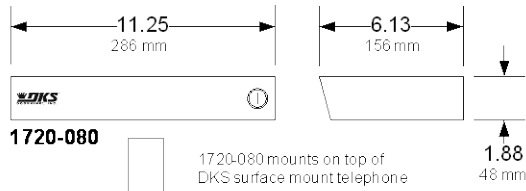
#### Surface Mount Adapter for Flush Units

1814-152 ..... 224.00

- Allows a flush mount unit to be mounted directly to a flat surface. Indoor use only.
- Use with flush mount 1803, 1810, 1833, 1834, 1835 and 1837 systems.

## Model 1720

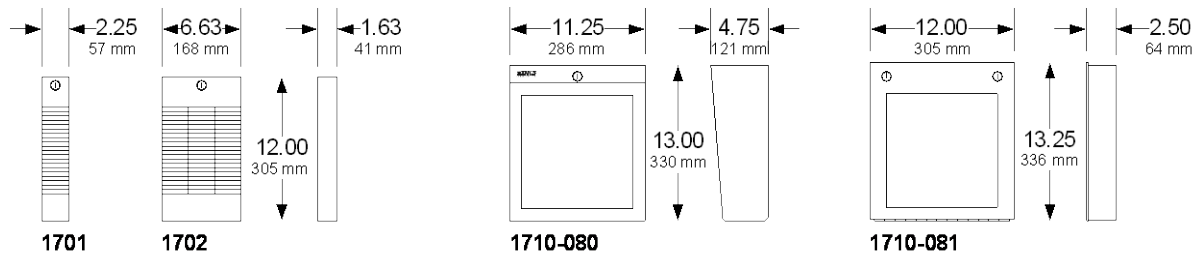
### Telephone Entry System LED Light Kit



<b>LED Light Kit - Long</b>	
1720-080 .....	422.00
<ul style="list-style-type: none"> <li>Use with surface mount 1803, 1810, 1833, 1834, 1835 and 1837 systems.</li> </ul>	
<b>LED Light Kit - Short</b>	
1720-081 .....	412.00
<ul style="list-style-type: none"> <li>Use with add-on directory.</li> </ul>	

## Model 1701 / 1702 / 1710

### Add-On Directories



#### Add-On Directories – Non-Lighted

1701-080 .....148.00

- 20 name capacity.

1702-080 .....218.00

- 60 name capacity.

#### Add-On Directories – LED Lighted

1710-080 Surface Mount .....460.00

1710-081 Flush Mount .....460.00

- These directories use 8-1/2 x 11 sheet paper. Make your own directory with a word processor program.

#### Lighted Directory Mounting Accessories

1803-150 Surface Mount recess kit..... 224.00

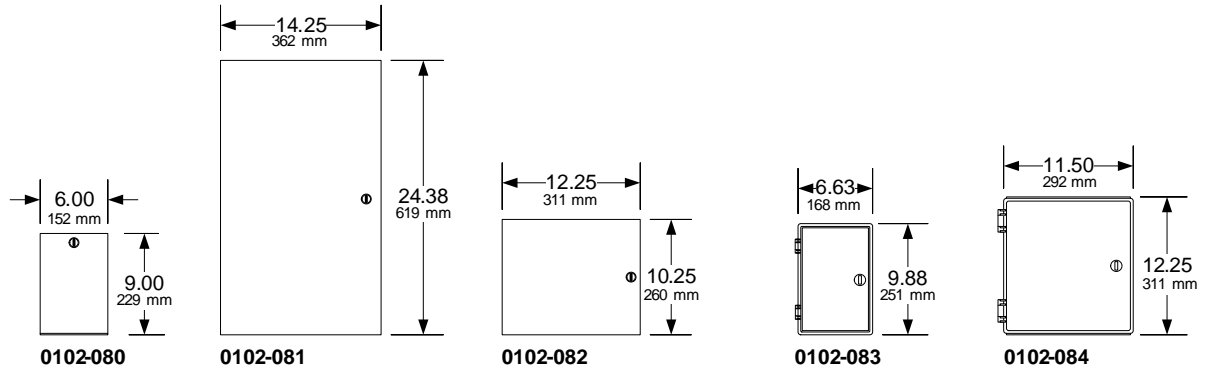
- Use with the 1710-080 directory.

1814-165 Flush Mount kit ..... 378.00

- Use with the 1710-081 directory.

## General Purpose Utility Enclosures

### Telephone Entry System Accessories



**General purpose enclosures have no power receptacles or terminal strips, carry no warranty and are not listed.**

0102-080 Small lockable metal enclosure .....	130.00
0102-081 Large lockable metal enclosure .....	360.00
0102-082 Medium lockable metal enclosure.....	176.00
0102-083 Small lockable plastic enclosure .....	156.00
0102-084 Medium lockable plastic enclosure .....	176.00

Part Number	Height	Width	Depth	Material	Lockable
0102-080	9.00 (229mm)	6.00 (152mm)	3.63 (92mm)	Metal	Yes
0102-081	24.38 (619mm)	14.25 (362mm)	4.00 (102mm)	Metal	Yes
0102-082	10.25 (260mm)	12.25 (311mm)	4.25 (108mm)	Metal	Yes
0102-083	9.88 (251mm)	6.63 (168mm)	4.00 (102mm)	Plastic	Yes
0102-084	12.25 (311mm)	11.50 (292mm)	6.00 (152mm)	Plastic	Yes

## Accessories

### Handset Kits, Isolation Transformers, Miscellaneous, CCTV Camera Kits

<b>Handset Conversion Kit</b>	
1807-012 .....	402.00
Handset, adapter, hanger and speaker cover	
<b>Replacement Handset</b>	
1807-006 .....	312.00

<b>Isolation Transformers</b>	
1830-140 .....	73.38
Use with 1810, 1833, 1838 1808, 1810, 1812 Access Plus Systems	
1830-142 .....	73.38
Use with 1834, 1835, 1837	

<b>Miscellaneous</b>	
1506-081 Secondary Keypad surface mount .....	422.00
1506-091 Secondary Keypad flush mount .....	548.00
1801-008 Backup Battery 12-Volt .8 AH .....	87.16
1804-193 External Speaker .....	192.00
Use in high noise areas	
2600-584 Heater Kit .....	162.00
2600-588 Heater Kit .....	206.00
2600-582 LCD Heater Kit .....	50.46
1816-070 Line Sense Relay .....	50.46
2600-657 Replacement Key 16120 .....	7.24

<b>Key Lock Sets (Lock + 2 Keys)</b>	
4001-035 Lock #16120 (standard key lock) .....	20.22
4001-038 Lock #16121 .....	20.22
4001-039 Lock #16122 .....	20.22
4001-041 Lock #16123 .....	20.22
4001-042 Lock #16124 .....	20.22
4001-043 Lock #16125 .....	20.22
4001-044 Lock #16126 .....	20.22
4001-045 Lock #16127 .....	20.22
4001-046 Lock #16128 .....	20.22
4001-047 Lock #16129 .....	20.22
4001-048 Lock #16130 .....	20.22

<b>CCTV Camera Kit – High Resolution</b>	
1812-145 .....	974.00
High resolution color camera kit (camera, mounting bracket, wire harness, power supply)	
Use this camera with the following models:	
1504-080, 1504-081, 1504-082, 1504-083, 1504-084, 1504-085, 1504-086, 1504-090, 1504-091, 1504-120, 1504-121, 1504-122, 1504-123, 1504-124	
1802-082, 1802-083, 1802-089, 1802-090, 1802-091	
1803-080, 1803-083, 1803-084, 1803-088, 1803-090, 1803-092, 1803-097	
1808-081, 1808-082, 1808-083, 1808-084, 1808-085	
1810-084, 1810-090, 1810-092, 1810-094, 1810-096	
1812-083, 1812-084, 1812-088, 1812-093, 1812-094	
1819-080	
1833-080, 1833-081, 1833-084, 1833-085	
1834-084, 1834-085, 1834-089	
1835-084, 1835-085, 1835-089	
1837-080, 1837-081, 1837-084, 1837-085	
1838-120, 1838-021, 1838-122, 1838-123, 1838-124	
<b>CCTV Camera Kit – High Resolution</b>	
1812-147 .....	974.00
High resolution color camera kit (camera, mounting bracket, wire harness, power supply)	
Use this camera with the following models:	
1810-080, 1810-088, 1810-095	
1812-076, 1812-077, 1812-078, 1812-079, 1812-081, 1812-085, 1812-086, 1812-087, 1812-089, 1812-090, 1812-091, 1812-092, 1812-095, 1812-096, 1812-097	
1815-247, 1815-248, 1815-249, 1815-250, 1815-251	
1834-080, 1834-081	
1835-080, 1835-081	
1838-228	
<b>Video Adapter</b>	
1812-039 .....	482.00
Converts coax to twisted pair for wire runs of up to 3000-ft (B/W) or 1600-ft (color), two required	

## Replacement Components

### Electronic Components

<b>Circuit Boards</b>	
1862-010 .....	964.00
Use with 1802, 1802-EPD, 1803, 1808, 1810, 1819	
1863-010 .....	688.00
Use with all "P" series lobby panels	
1871-010 .....	1404.00
Use with 1812 Classic only	
1971-010 .....	1404.00
Use with 1812 Plus only	
1885-010 .....	1720.00
Use with 1816 and 1820 only	
1833-010 .....	1720.00
Use with 1833 only	
1834-010 .....	1834.00
Use with 1834 only	
1834-009 .....	1834.00
Use with 1834 wall mount units only	
1835-010 .....	2110.00
Use with 1835 only	
1835-009 .....	2110.00
Use with 1835 wall mount units only	
1837-010 .....	1720.00
Use with 1837 only	
1838-010 .....	1744.00
Use with 1838 only	
1970-010 .....	1632.00
Use with 1802 AP, 1808 AP, 1810 AP, 1812 AP, 1838 AP	
2354-010 .....	172.00
RS-485 to Wiegand interface board	

<b>Keypads</b>	
1895-016.....	134.00
Keypad with letters	
1895-017.....	134.00
Keypad no letters	
1895-019.....	126.00
Keypad 10-pin	
1804-038.....	24.08
Ribbon cable for 1895-016 & 1895-017	
1804-155.....	148.00
Keypad (no letters) & ribbon cable	
1804-156.....	148.00
Keypad (with letters) & ribbon cable	
1895-032.....	142.00
Keypad, green back lighted	
1895-060.....	312.00
Lighted keypad-green, A-Z-CALL button retrofit kit	
1804-158.....	150.00
Lighted keypad-green, retrofit kit	

<b>LCD Displays</b>	
1891-010 Single-Line 20 Character .....	802.00
Use with 1834, 1835	
1894-010 (Obsolete) Single-Line 20 Character .....	802.00
Use with 1814, 1815	
1896-012 Eight-Line 20 Character .....	802.00
Use with 1837 only	
1815-016.....	24.04
Ribbon cable for 1896-018 display	

<b>Miscellaneous</b>	
1998-020.....	100.90
Replacement microphone kit	
1998-010.....	100.90
Replacement microphone board	
1997-190.....	12.04
Microphone wire harness for 1998-010 only	
1804-290.....	27.52
5-watt speaker (square)	
1817-190.....	38.98
Oval speaker	

<b>LED Light Kits</b>	
1804-700 .....	59.64
Use with 1810 surface mount	
1804-701 .....	22.94
Use with 1802	
1804-702 .....	41.28
Use with 1808, 1834, 1835 surface mount	
1804-703 .....	41.28
Use with 1710 directory	
1804-704 .....	22.94
Use with 1812	
1804-707 .....	341.28
Use with 1810 flush mount	