



Section A2

This Price Schedule is effective January 1, 2018.

Telephone Entry & Access Control Systems

Date	Page	Comment
1-1-18	All	January, 2018 Price Schedule update.
3-13-18	33	Corrected part number for 1514-075 antenna kit (was shown as 1514-071).
3-21-18	38	Added 1804-701 LED Light Kit to the replacement components page.
7-6-18	19, 21, 23, 25, 27	Added 2334-080 VoIP – TCP/IP Adapter control box to connection options.
7-10-18	19, 23, 25, 27, 32	Deleted 2351-081. Added 2351-083. Configuration and price change on 2351-080, 2351-082.
7-10-18	30	Added 2334-080 to connection options.

Entry System Connection Options – Your Choice

For more information, please visit:

<http://www.doorking.com/connect> and <http://www.doorking.com/imserver> and <http://www.doorking.com/cellular>

4G-LTE Cellular Service (Plug & Play)

- Voice and Programming (wireless via the cellular network)
- DKS Cellular (subscription based service)

Internet (VoIP) Connection (Plug & Play)

- Voice and Programming (wired connection)
- DKS Internet or VoIP subscription service required
- Requires 2334-080 (1830-186 & 1815-530 in a common housing, or use these items separately)
- Requires 1830-186 Network Adapter for programming
- Requires 1815-530 VoIP adapter for DKS VoIP or use third party VoIP adapter¹
- Plug & Play for LAN and WAN connections

1: DoorKing does not guarantee third party VoIP service. Third party VoIP subscription may be required.

Internet (VoIP) Connection (Manual IP Configuration)

- Voice and Programming (wired connection)
- Manual setup – requires 1830-185 Network adapter
- Manual setup required: determine Default Gateway, set your IP address, setup Port Forwarding, configure Firewall for access, order Static IP address from internet provider or setup DDNS host account
- Compatible with most VoIP providers¹

1: DoorKing does not guarantee third party VoIP service. Third party VoIP subscription may be required.

Land Line Telephone Service³ (POTS line, Cable or Fiber¹)

- Voice and Programming (wired connection)
- Programming options:
 - IM Server Modem (subscription based service)
 - Modem to Modem²

1: Not applicable if Cable or Fiber is a cloud based telephone service.

2: Not compatible with all modems. Requires phone line and modem at programming PC.

3: DoorKing does not recommend using POTS (Plain Old Telephone Service) as a connection option and does not guarantee modem connections as many phone company services and switches no longer support modem communications.

TTY Connection Options

- Allows hearing impaired persons to connect their TTY device to the telephone entry system.
- P/N 1830-310 is factory installed at time of order.
- P/N 1830-315 is an add-on device that can be added to the telephone entry system at any time.

Table of Contents

Telephone Entry & Access Control

Model 1802	4
Model 1803	6
Model 1808	8
Model 1810	10
Model 1812	12
Model 1819	14
Model 1816/1820	16
Model 1833	18
Model 1834	20
Model 1835	22
Model 1837	24
Model 1838	26

Accessories

Connection Options	28
Elevator Control	29
Tracker Expansion Boards	30
Wireless Kits for Tracker Expansion Boards	31
Telephone Entry Systems Mounting Kits	32
Light Kits	33
Directories	34
Accessories	35
Replacement Components	36

1802 Telephone Entry System

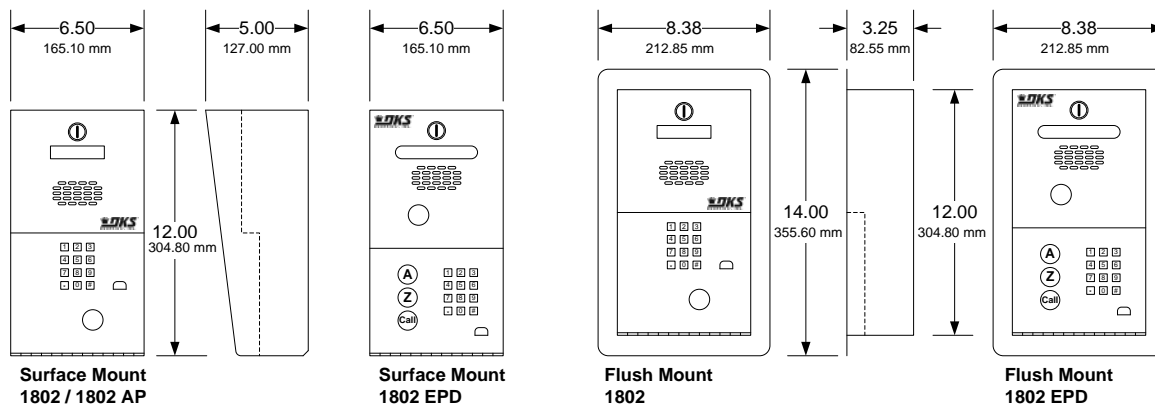
Residential, Commercial

1802 / 1802 EPD

- Hands free full duplex voice communication
- Programmable Directory Codes (1-4 digits)
- 16-digit dialing
- Includes 16 VAC power transformer
- Backlit keypad and A-Z-CALL buttons (EPD only)

1802 AP (Access Plus) ONLY

- Control up to 8 entry points
- IP Addressable
- PC Programmable
- 2-Digit directory codes
- 20-digit dialing
- Includes 16 VAC power transformer



Model	Phone Numbers	Directory ⁶ Names	Entry Codes ¹	Device Codes ²	Relays	Auxiliary Inputs ³	Expansion ⁴	PC Programmable ⁵	Temporary Codes	Holiday Schedules
1802	600	N/A	1000	0	2	1	No	No	5	No
1802EPD	100	100	100	0	2	1	No	No	5	No
1802AP	27	N/A	50	100	2	2	6 Max	Yes	10	Yes

1. Entry codes are four (4) digits only and are not the same as device codes. Entry codes grant access when entered on the entry system keypad (or secondary keypad) only.
2. Device codes refer to any five (5) digit RS-485 device used to access an entry point, such as cards, transmitters or PINs (Personal Identification Number). Five (5) digit device codes can also be used on the system keypad.
3. 1802 and 1802EPD, auxiliary input allows a switch closure to activate relay 2, or can be set to auto-dial a preprogrammed telephone number. 1802 AP uses a standard RS-485 data input.
4. Six (6) additional entry points can be controlled via RS-485 card readers, AVID tag readers, RF receivers or digital keypads.
5. AP Programming software available for free download at doorking.com.
6. Single line 16 character 5/16 LCD display.

1802 Telephone Entry System

Residential, Commercial

1802 Telephone Entry Systems

1802-082 Surface Mount	1172.00
1802-089 Flush Mount.....	1468.00
1802-090 Surface Mount EPD	1434.00
1802-091 Flush Mount EPD.....	1732.00
1802-092 Surface Mount AP (Access Plus).....	1834.00

Service Connection Options

1800-081 Cellular Voice + Data ^{1,2}	622.00
1801-080 Cellular Voice Only ^{1,3}	414.00

1 - Cellular service plan required (provided by DoorKing).
 2 - Use with 1802 AP model.
 3 - Use with 1802 and 1802 EPD models.

1802 Lobby Panel

1802-083.....	872.00
---------------	--------

Lobby panels can only be used with the 1816 or 1820 telephone intercom system. They cannot be connected directly to telephone service.

Accessories

1701-080 20-Name Directory.....	148.00
1702-080 60-Name Directory.....	218.00
1710-080 200-Name Directory Surface Mount	460.00
1710-081 200-Name Directory Flush Mount.....	460.00
1506-081 Secondary Keypad surface mount.....	422.00
1506-091 Secondary Keypad flush mount	548.00
1804-193 External Speaker	192.00
1801-008 Backup Battery 12-Volt .8 Ah	87.16
2600-588 Heater Kit (1802, 1802 AP).....	206.00
2600-582 LCD Heater (1802 EPD).....	50.46
1812-145 CCTV Color Camera	974.00
1807-012 Handset Kit (surface mount only).....	402.00
1802-111 Post Mount Adapter Plate ¹	158.00

1. Required if mounting 1802 to gooseneck post.

1830-310 TTY Add-on Factory Installed	298.00
1830-315 TTY Add-on Kit	332.00

1802 AP (ACCESS PLUS ONLY) Expansion Options

2354-010 Conversion Board	172.00
1815-235 Conversion Board w/Enclosure	300.00

Converts 26-bit Wiegand to RS-485. Requires 12-16 VDC power.

1812-020 12-VDC, 1A Transformer	49.16
1200-080 Transformer Box.....	222.00

1816-083 Intercom Phone Expansion.....	1090.00
--	---------

The 1816-083 expands the "No Phone Line" telephone intercom interface on Access Plus systems from a single phone line up to 11 phone lines. The system can be further expanded to interface with up to a maximum of 23 phone lines.

RS-485 Card Readers (ACCESS PLUS ONLY)

1815-332 DK Prox Reader	412.00
1815-232 ID Tech Reader	480.00
1815-233 AWID Reader.....	492.00
1815-234 HID Reader	872.00

RS-485 Keypads (ACCESS PLUS ONLY)

1513-081 Surface Mount.....	516.00
1513-082 Flush Mount	642.00

RS-485 RF Controls (ACCESS PLUS ONLY)

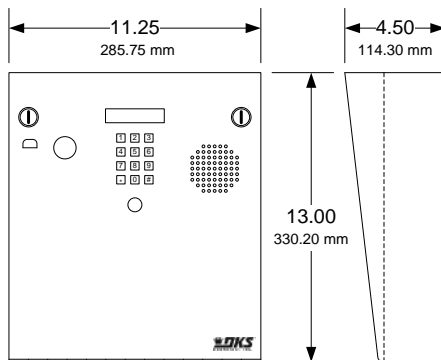
8053-080 MicroPlus Receiver	208.00
-----------------------------------	--------

1803 Telephone Entry System

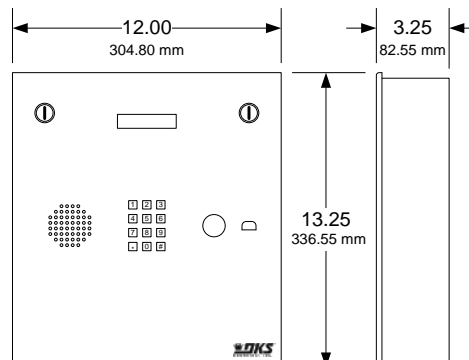
Residential, Commercial

1803

- Hands free full duplex voice communication
- Programmable Directory Codes (1-4 digits)
- 16-digit dialing
- Includes 16 VAC power transformer
- Stainless steel faceplate
- Galvanized steel sub-plate
- Metal keypads and buttons
- Postal lock provision



Surface Mount



Flush Mount

Model	Phone Numbers	Directory Names	Entry Codes ¹	Device Codes ²	Relays	Auxiliary Inputs ³	Expansion ⁴	PC Programmable ⁵	Temporary Codes	Holiday Schedules
1803	600	N/A	1000	0	2	1	No	No	5	No

1. Entry codes are four (4) digits only and are not the same as device codes. Entry codes grant access when entered on the entry system keypad (or secondary keypad) only.
2. Device codes are not used with the 1803.
3. 1803 auxiliary input allows a switch closure to activate relay 2, or can be set to auto-dial a preprogrammed telephone number.

1803 Telephone Entry System

Residential, Commercial

1803 Telephone Entry Systems

1803-080 Surface Mount	1538.00
1803-084 Flush Mount.....	1538.00

1803 Lobby Panels

1803-090 Surface Mount	1020.00
1803-092 Flush Mount.....	1020.00

Lobby panels can only be used with the 1816 or 1820 telephone intercom system. They cannot be connected directly to telephone service.

Service Connection Options

1801-080 Cellular Voice Only ¹	414.00
---	--------

1 - Cellular service plan required (provided by DoorKing)

Mounting Accessories

1803-150 Surface Mount Recess Kit.....	224.00
1814-165 Flush Mount Kit Stainless Steel	378.00

Accessories

1701-080 20-Name Directory.....	148.00
1702-080 60-Name Directory.....	218.00
1710-080 Large Directory Surface Mount	460.00
1710-081 Large Directory Flush Mount.....	460.00

1506-081 Secondary Keypad surface mount.....	422.00
1506-091 Secondary Keypad flush mount.....	548.00
1720-080 LED Light Kit	422.00
1804-193 External Speaker	192.00
1801-008 Backup Battery 12-Volt .8 Ah	87.16
2600-584 Heater Kit	162.00
1812-145 CCTV Color Camera	974.00
1807-012 Handset Kit (<i>surface mount only</i>)	402.00

1830-310 TTY Add-on Factory Installed.....	298.00
1830-315 TTY Add-on Kit.....	332.00

1808 Telephone Entry System

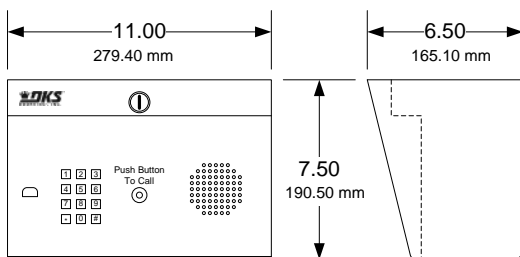
Residential, Commercial

1808

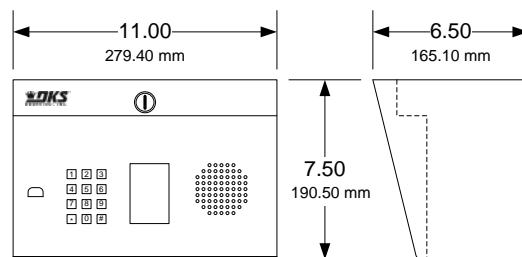
- Hands free full duplex voice communication
- Programmable Directory Codes (1-4 digits)
- 16-digit dialing
- Includes 16 VAC power transformer

1808 AP (Access Plus) ONLY

- Control up to 8 entry points
- IP Addressable
- PC Programmable
- 2-Digit directory codes
- 20-digit dialing
- Includes 16 VAC power transformer



**Surface Mount
1808**



**Surface Mount w/Directory
1808 / 1808 AP**

Model	Phone Numbers	Directory Names	Entry Codes ¹	Device Codes ²	Relays	Auxiliary Inputs ³	Expansion ⁴	PC Programmable ⁵	Temporary Codes	Holiday Schedules
1808	600	N/A	1000	0	2	1	No	No	5	No
1808AP	27	N/A	50	100	2	2	6 Max	Yes	10	Yes

1. Entry codes are four (4) digits only and are not the same as device codes. Entry codes grant access when entered on the entry system keypad (or secondary keypad) only.
2. Device codes refer to any five (5) digit RS-485 device used to access an entry point, such as cards, transmitters or PINs (Personal Identification Number). Five (5) digit device codes can also be used on the system keypad.
3. 1808 auxiliary input allows a switch closure to activate relay 2, or can be set to auto-dial a preprogrammed telephone number. 1808 AP uses a standard RS-485 data input.
4. Six (6) additional entry points can be controlled via RS-485 card readers, AVID tag readers, RF receivers or digital keypads.
5. AP Programming software available for free download at doorking.com.

1808 Telephone Entry System

Residential, Commercial

1808 Telephone Entry Systems

1808-082 Surface Mount w/Directory	1538.00
1808-084 Surface Mount	1434.00
1808-085 Surface Mount AP (Access Plus).....	1834.00

1808 Lobby Panels

1808-081 Surface Mount	998.00
1808-083 Surface Mount w/Directory	1090.00

Lobby panels can only be used with the 1816 or 1820 telephone intercom system. They cannot be connected directly to telephone service.

Service Connection Options

1800-081 Cellular Voice + Data ^{1,2}	622.00
1801-080 Cellular Voice Only ^{1,3}	414.00

- 1 - Cellular service plan required (provided by DoorKing).
- 2 - Use with 1808 AP model.
- 3 - Use with 1808 model.

Accessories

1701-080 20-Name Directory.....	148.00
1702-080 60-Name Directory.....	218.00
1710-080 Large Directory Surface Mount.....	460.00
1710-081 Large Directory Flush Mount.....	460.00
1506-081 Secondary Keypad surface mount.....	422.00
1506-091 Secondary Keypad flush mount	548.00
1804-193 External Speaker	192.00
1801-008 Backup Battery 12-Volt .8 Ah	87.16
2600-588 Heater Kit.....	206.00
1812-145 CCTV Color Camera	974.00
1830-310 TTY Add-on Factory Installed	298.00
1830-315 TTY Add-on Kit	332.00

1808 AP (ACCESS PLUS ONLY) Expansion Options

2354-010 Conversion Board	172.00
1815-235 Conversion Board w/Enclosure	300.00

Converts 26-bit Wiegand to RS-485. Requires 12-16 VDC power.

1812-020 12-VDC, 1A Transformer	49.16
1200-080 Transformer Box.....	222.00

1816-083 Intercom Phone Expansion.....	1090.00
--	---------

The 1816-083 expands the "No Phone Line" telephone intercom interface on Access Plus systems from a single phone line up to 11 phone lines. The system can be further expanded to interface with up to a maximum of 23 phone lines.

RS-485 Card Readers (ACCESS PLUS ONLY)

1815-332 DK Prox Reader	412.00
1815-232 ID Tech Reader	480.00
1815-233 AWID Reader.....	492.00
1815-234 HID Reader	872.00

RS-485 Keypads (ACCESS PLUS ONLY)

1513-081 Surface Mount.....	516.00
1513-082 Flush Mount	642.00

RS-485 RF Controls (ACCESS PLUS ONLY)

8053-080 MicroPlus Receiver.....	208.00
----------------------------------	--------

1810 Telephone Entry System

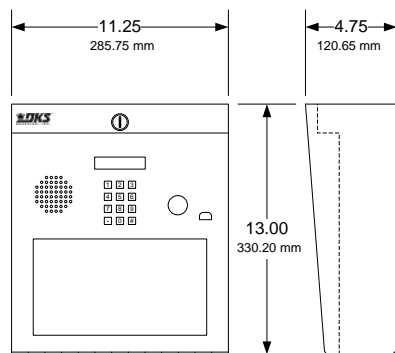
Residential, Commercial

1810

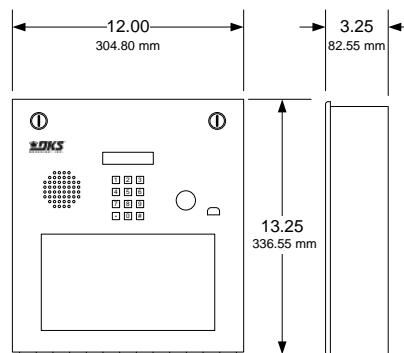
- Hands free full duplex voice communication
- Programmable Directory Codes (1-4 digits)
- 16-digit dialing
- Includes 16 VAC power transformer

1810 AP (Access Plus) ONLY

- Control up to 8 entry points
- IP Addressable
- PC Programmable
- 2-Digit directory codes
- 20-digit dialing
- Includes 16 VAC power transformer



Surface Mount
1810 / 1810 AP



Flush Mount
1810 / 1810 AP

Model	Phone Numbers	Directory Names	Entry Codes ¹	Device Codes ²	Relays	Auxiliary Inputs ³	Expansion ⁴	PC Programmable ⁵	Temporary Codes	Holiday Schedules
1810	600	N/A	1000	0	2	1	No	No	5	No
1810AP	27	N/A	50	100	2	2	6 Max	Yes	10	Yes

1. Entry codes are four (4) digits only and are not the same as device codes. Entry codes grant access when entered on the entry system keypad (or secondary keypad) only.
2. Device codes refer to any five (5) digit RS-485 device used to access an entry point, such as cards, transmitters or PINs (Personal Identification Number). Five (5) digit device codes can also be used on the system keypad.
3. 1810 auxiliary input allows a switch closure to activate relay 2, or can be set to auto-dial a preprogrammed telephone number. 1810 AP uses a standard RS-485 data input.
4. Six (6) additional entry points can be controlled via RS-485 card readers, AVID tag readers, RF receivers or digital keypads.
5. AP Programming software available for free download at doorking.com.

1810 Telephone Entry System

Residential, Commercial

1810 Telephone Entry Systems

1810-080 Surface Mount	1492.00
1810-084 Flush Mount.....	1492.00
1810-095 Surface Mount AP (Access Plus).....	1952.00
1810-096 Flush Mount AP (Access Plus)	1952.00

1810 Lobby Panels

1810-088 Surface Mount	1158.00
1810-090 Flush Mount.....	1158.00

Lobby panels can only be used with the 1816 or 1820 telephone intercom system. They cannot be connected directly to telephone service.

Service Connection Options

1800-081 Cellular Voice + Data ^{1,2}	622.00
1801-080 Cellular Voice Only ^{1,3}	414.00

1 - Cellular service plan required (provided by DoorKing).
 2 - Use with 1810 AP model.
 3 - Use with 1810 model.

Accessories

1803-150 Surface Mount Recess Kit	224.00
1814-165 Flush Mount Kit Stainless Steel	378.00
1814-152 Surface Mount Ring for Flush Units	224.00
1701-080 20-Name Directory.....	148.00
1702-080 60-Name Directory.....	218.00
1710-080 Large Directory Surface Mount	460.00
1710-081 Large Directory Flush Mount.....	460.00
1506-081 Secondary Keypad surface mount.....	422.00
1506-091 Secondary Keypad flush mount	548.00
1720-080 LED Light Kit	422.00
1804-193 External Speaker	192.00
1801-008 Backup Battery 12-Volt .8 Ah	87.16
2600-584 Heater Kit.....	162.00
1812-145 CCTV Color Camera	974.00
1807-012 Handset Kit (surface mount only).....	402.00
1830-310 TTY Add-on Factory Installed	298.00
1830-315 TTY Add-on Kit	332.00

1810 AP (ACCESS PLUS ONLY) Expansion Options

2354-010 Conversion Board	172.00
1815-235 Conversion Board w/Enclosure	300.00

Converts 26-bit Wiegand to RS-485. Requires 12-16 VDC power.

1812-020 12-VDC, 1A Transformer	49.16
1200-080 Transformer Box.....	222.00

1816-083 Intercom Phone Expansion..... 1090.00
The 1816-083 expands the "No Phone Line" telephone intercom interface on Access Plus systems from a single phone line up to 11 phone lines. The system can be further expanded to interface with up to a maximum of 23 phone lines.

RS-485 Card Readers (ACCESS PLUS ONLY)

1815-332 DK Prox Reader	412.00
1815-232 ID Tech Reader	480.00
1815-233 AWID Reader.....	492.00
1815-234 HID Reader	872.00

RS-485 Keypads (ACCESS PLUS ONLY)

1513-081 Surface Mount.....	516.00
1513-082 Flush Mount	642.00

RS-485 RF Controls (ACCESS PLUS ONLY)

8053-080 MicroPlus Receiver.....	208.00
----------------------------------	--------

1812 Telephone Entry System

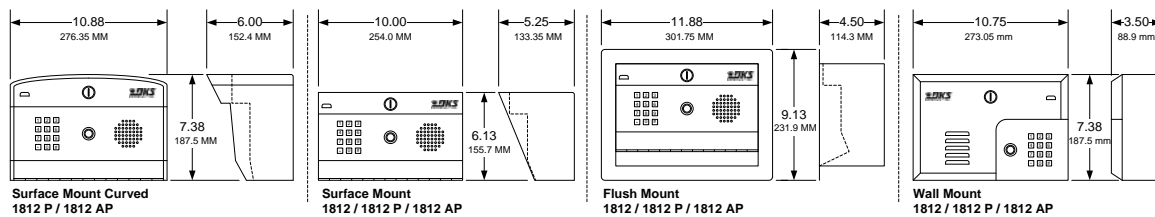
Residential

1812 (Classic)

- 2-Digit directory codes
- 11-digit dialing
- Includes 24 VAC power transformer
- Call Forward Time Zones
- Do Not Disturb
- Analog Voice Circuit

1812 P (Plus) and 1812 AP (Access Plus)

- 2-Digit directory codes
- 20-digit dialing
- Includes 16 VAC power transformer
- Call Forward Time Zones
- Do Not Disturb Feature
- HD Digital Voice Circuit



Model	Phone Numbers	Directory Names	Entry Codes ¹	Device Codes ²	Relays	Auxiliary Inputs ³	Expansion ⁴	PC Programmable ⁵	Temporary Codes	Holiday Schedules
1812	3	N/A	50	0	2	1	No	No	5	No
1812P	27	N/A	50	0	2	0	No	No	10	No
1812AP	27	N/A	50	100	2	2	6 Max	Yes	10	Yes

1. Entry codes are four (4) digits on the 1812 and five (5) digits on the 1812P. Entry codes grant access when entered on the entry system keypad (or secondary keypad) only.
2. Device codes refer to any five (5) digit RS-485 device used to access an entry point, such as cards, transmitters or PINs (Personal Identification Number). Five (5) digit device codes can also be used on the system keypad.
3. 1810 auxiliary input allows a switch closure to activate relay 2, or can be set to auto-dial a preprogrammed telephone number. 1810 AP uses a standard RS-485 data input.
4. Six (6) additional entry points can be controlled via RS-485 card readers, AVID tag readers, RF receivers or digital keypads.
5. AP Programming software available for free download at doorking.com.

1812 Telephone Entry System

Residential

1812 Classic Systems

1812-081 Surface Mount	1522.00
1812-097 Surface Mount w/Camera.....	2416.00
1812-087 Flush Mount.....	1722.00
1812-088 Wall Mount.....	1722.00

1812 Plus Systems

1812-095 Surface Mount Curved	1838.00
1812-089 Surface Mount	1628.00
1812-098 Surface Mount w/Camera.....	2520.00
1812-091 Flush Mount.....	1828.00
1812-093 Wall Mount	1828.00

1812 Access Plus Systems

1812-096 Surface Mount Curved	1942.00
1812-090 Surface Mount	1732.00
1812-099 Surface Mount w/Camera.....	2626.00
1812-092 Flush Mount.....	1932.00
1812-094 Wall Mount	1932.00

Service Connection Options

1800-081 Cellular Voice + Data ^{1,2}	622.00
1801-080 Cellular Voice Only ^{1,3}	414.00

- 1 - Cellular service plan required (provided by DoorKing).
- 2 - Use with 1812 AP model.
- 3 - Use with 1812 Classic and Plus models.

Accessories

1812-105 Stainless Steel Surface Mount Housing ¹	254.00
1506-081 Secondary Keypad surface mount.....	422.00
1506-091 Secondary Keypad flush mount	548.00
2600-588 Heater Kit (for surface mount units)	206.00
2600-582 Heater Kit (for flush mount units)	50.46
1812-145 CCTV Color Camera	974.00
1812-074 Conversion Kit ²	1692.00
1 - Replaces the black steel housing.	
2 - Upgrades older 1812 units to an 1812 Access Plus unit.	
1830-310 TTY Add-on Factory Installed	298.00
1830-315 TTY Add-on Kit	332.00

1812 AP (ACCESS PLUS ONLY) Expansion Options

2354-010 Conversion Board	172.00
1815-235 Conversion Board w/Enclosure	300.00
<i>Converts 26-bit Wiegand to RS-485. Requires 12-16 VDC power.</i>	
1812-020 12-VDC, 1A Transformer	49.16
1200-080 Transformer Box.....	222.00

1816-083 Intercom Phone Expansion..... 1090.00
The 1816-083 expands the "No Phone Line" telephone intercom interface on Access Plus systems from a single phone line up to 11 phone lines. The system can be further expanded to interface with up to a maximum of 23 phone lines.

RS-485 Card Readers (ACCESS PLUS ONLY)

1815-332 DK Prox Reader	412.00
1815-232 ID Tech Reader	480.00
1815-233 AWID Reader.....	492.00
1815-234 HID Reader	872.00

RS-485 Keypads (ACCESS PLUS ONLY)

1513-081 Surface Mount.....	516.00
1513-082 Flush Mount	642.00

RS-485 RF Controls (ACCESS PLUS ONLY)

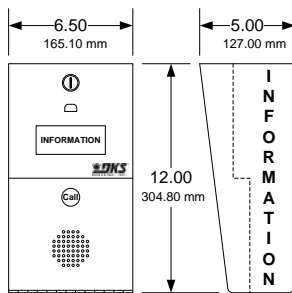
8053-080 MicroPlus Receiver.....	208.00
----------------------------------	--------

1819 Information Telephone System

Commercial

1819

- Full duplex voice communication
- Stores a single phone number
- 10 and 11 digit dialing
- Call button



Surface Mount

Model	Phone Numbers	Directory	Entry Codes	Device Codes	Relays	Auxiliary Inputs	Expansion ⁴	PC Programmable	Elevator Control	Transaction Buffer
1819	1	N/A	0	0	1	0	0	No	No	No

1. The 1819 is designed as an information phone only. Pressing the CALL button causes the system to dial to a preprogrammed telephone number.

1819 Information Telephone System

Commercial

1819 Telephone Entry System

1819-080 Surface Mount 1354.00

Service Connection Options

1801-080 Cellular Voice¹ 414.00

1 – DKS Cellular subscription required.

Accessories

1801-008 Backup Battery 12-Volt .8 Ah 87.16

2600-588 Heater Kit 206.00

1812-145 CCTV Color Camera 974.00

1802-111 Post Mount Adapter Plate¹ 158.00

1 - Required if mounting the unit to a goose neck post.

1816 / 1820 Telephone Intercom Systems

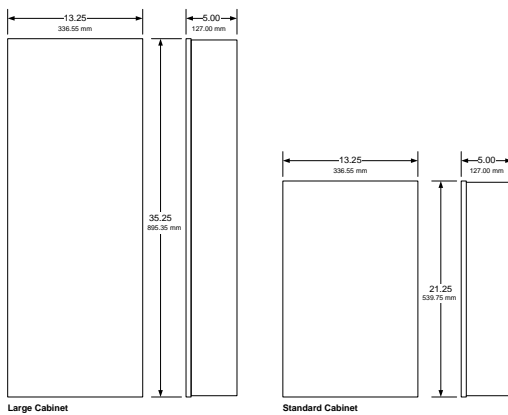
Commercial

1816

- Full duplex voice communication
- Interfaces with up to 1200 phone lines
- Tennant C.O. phone service not required
- Programmable directory codes
- Lobby panel / Doorman caller ID
- Built-in call waiting
- Do Not Disturb feature

1820

- Full duplex voice communication
- Interfaces with up to 1200 phone lines
- Tennant C.O. phone service not required
- Programmable directory codes
- Resident Call Down feature
- Resident programmable Call Forward feature
- Resident programmable Do-Not-Disturb Feature



Model	Phone Numbers	Directory Names	Entry Codes ¹	Caller ID	Relays	Doorman Phone	Resident Call-Down ²	Resident Features ³	Call Out Numbers	Directory Codes
1816	1200	N/A	1200	Yes	1	Yes	No	No	10	Programmable
1820	1200	N/A	1200	Yes	1	Yes	Yes	Yes	10	Programmable

1. Entry codes are four (4) digits. Entry codes grant access when entered on the entry system keypad (or secondary keypad) only.
2. The resident call-down feature allows the resident to contact the doorman directly from their telephone.
3. Resident programmable features include: Call Waiting; Do-Not-Disturb; Call Forwarding.

1816 / 1820 Telephone Intercom Systems

Commercial

1816 Systems

Step 1: Main Control Cabinet

1816-080 Houses 13 Relay Boards (156 lines).....	2110.00
1816-082 Houses 5 Relay Boards (60 lines)	1860.00

Main control cabinets do not include relay boards.

Step 2: Relay Boards

1982-010	
1 – 13 Boards	678.00
14 – 29 Boards	638.00
30 + Boards	598.00

One (1) relay board is required for every 12 phone lines to be interfaced.

Step 3: Decoder Board (if required)

1881-010 Decoder Board	310.00
------------------------------	--------

Decoder board(s) are required if the system expands beyond five (5) relay boards. One (1) decoder board is required for every eight (8) relay boards beyond the first five (5) relay boards.

Step 4: Auxiliary Cabinet (if required)

1816-081 Auxiliary Cabinet	620.00
----------------------------------	--------

Holds up to 16 relay boards and two (2) decoder boards.

Step 5: Phone Blocks and Cables

2370-010 RJ71C Phone Block	272.00
----------------------------------	--------

One (1) RJ71C is required for each relay board in the system.

1882-042 Connecting Cable	138.00
---------------------------------	--------

One (1) connecting cable is required for each relay board in the system.

1882-044 Connecting Cable Special Length	4.96 / ft.
--	------------

Add cost per foot to 1882-042.

Step 6: Lobby Panels

Select lobby panels from the 1802, 1803, 1808, 1810 series pages.

1820 Systems

Step 1: Main Control Cabinet

1820-080 Houses 9 Relay Boards (108 lines)	2110.00
1820-082 Houses 4 Relay Boards (48 lines)	1860.00

Main control cabinets do not include relay boards.

Step 2: Line Interface Boards

1884-010	1468.00
----------------	---------

One (1) relay board is required for every 12 phone lines to be interfaced.

Step 3: Power Supply Boards (if required)

1886-010	248.00
----------------	--------

Only required if more than 21 line interface boards are used; then one (1) required for every 21 line interface boards in the system thereafter.

1508-060	55.04
----------------	-------

One (1) required for each 1886-010 power supply board.

Step 4: Auxiliary Cabinet (if required)

1820-081 Large Auxiliary Cabinet	620.00
--	--------

Holds up to 12 line interface boards and one (1) power supply board.

1820-083	378.00
----------------	--------

Holds up to eight (8) line interface boards or seven (7) line interface boards and one (1) power supply board.

Step 5: Phone Blocks and Cables

2370-010 RJ71C Phone Block	272.00
----------------------------------	--------

One (1) RJ71C is required for each relay board in the system.

1882-042 Connecting Cable	138.00
---------------------------------	--------

One (1) connecting cable is required for each relay board in the system.

1882-044 Connecting Cable Special Length	4.96 / ft.
--	------------

Add cost per foot to 1882-042.

Step 6: Lobby Panels

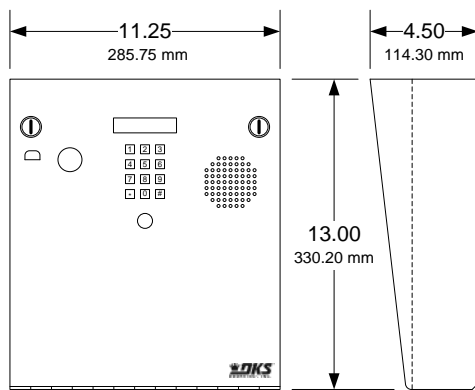
Select lobby panels from the 1802, 1803, 1808, 1810 series pages.

1833 Telephone Entry System

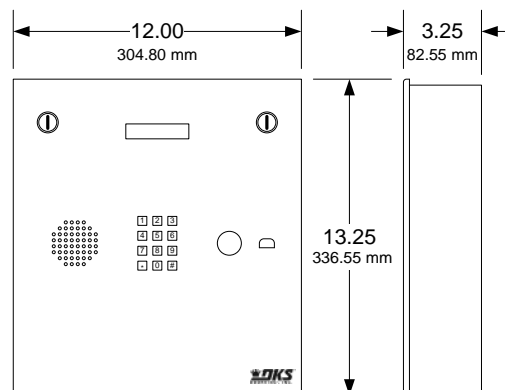
Residential, Commercial

1833

- Full duplex voice communication
- Stores up to 3000 phone numbers
- 255 area codes
- Programmable directory codes
- 10 and 11 digit dialing
- Built-in clock/calendar
- Three (3) built-in relays
- Two (2) 26-bit wiegand inputs
- Expandable to control up to 24 entrances
- 31 security (permission) levels
- 32 holiday schedules
- True anti-pass back features



Surface Mount



Flush Mount

Model	Phone Numbers	Directory	Entry Codes ¹	Device Codes ²	Relays	Auxiliary Inputs ³	Expansion ⁴	PC Programmable ⁵	Elevator Control	Transaction Buffer
1833	3000	N/A	3000	8000	3	2	24 Max	Yes	Yes	8000

1. Entry codes are four (4) digits only and are not the same as device codes. Entry codes grant access when entered on the entry system keypad (or secondary keypad) only.
2. Device codes refer to any five (5) digit 26-bit wiegand device used to access an entry point, such as cards, transmitters or PINs (Personal Identification Number). Five (5) digit device codes can also be used on the system keypad.
3. 1833 has two 26-bit wiegand inputs.
4. Up to 24 additional entry points can be controlled via card readers, AVID tag readers, RF receivers or digital keypads using tracker expansion boards.
5. Programming and transaction analysis software available for free download at doorking.com.

1833 Telephone Entry Systems

Residential, Commercial

1833 Telephone Entry System

1833-080 Surface Mount	3244.00
1833-084 Flush Mount	3244.00

Service Connection Options

1800-080 Cellular Voice + Data ¹	622.00
2334-080 VoIP and TCP/IP Control Box ^{3,5}	550.00
1815-568 VoIP Adapter ^{2,4}	122.00
1830-186 Plug & Play ^{3,4} (Plug & Play)	218.00
1830-185 Network Adapter (Manual Setup)	218.00

1 – DKS Cellular subscription required.

2 – DKS VoIP subscription required.

3 – DKS VoIP or Data over IP subscription required.

4 – 1815-568 is required for voice, 1830-186 or 1830-185 is required for data

5 – Combines the 1815-568 and 1830-186 into a common housing with built-in Ethernet switch.

Programming Only Connection Options

1508-055 RS232 to RS422 Conversion Kit	1204.00
1815-037 USB to RS232 Adapter	172.00
1818-040 RS232 Connecting Cable (6-ft)	44.86

Accessories

1803-150 Surface Mount Recess Kit	224.00
1814-165 Flush Mount Kit Stainless Steel	378.00
1814-152 Surface Mount Ring for Flush Units	224.00
1701-080 20-Name Directory	148.00
1702-080 60-Name Directory	218.00
1710-080 Large Directory Surface Mount	460.00
1710-081 Large Directory Flush Mount	460.00
1506-081 Secondary Keypad surface mount	422.00
1506-091 Secondary Keypad flush mount	548.00
1720-080 LED Light Kit	422.00
1804-193 External Speaker	192.00
1801-008 Backup Battery 12-Volt .8 Ah	87.16
2600-584 Heater Kit	162.00
1812-145 CCTV Color Camera	974.00
1807-012 Handset Kit (surface mount only)	402.00

Expansion Options

2358-010 Tracker Expansion Board	492.00
2351-080 SGL Box ¹ (1 board max)	664.00
2351-083 SGL Box ¹ + 1489-080 RF Module	1088.00
2351-082 QUAD Box ¹ Pre-wired (4 boards max)	1148.00

1 – Includes one (1) 2358-010 board and 16V, 40 VA transformer.

Expansion Option Wireless Kits

2361-080 Base Board Kit ¹	802.00
1489-080 Expansion Board Kit ²	424.00
2364-080 Single channel repeater	448.00
2372-080 Dual channel repeater	644.00

1 - One (1) base board kit is installed in the 1833 controller.
 2 – Expansion board kit(s) are installed on each 2358 tracker board.

1514-075 2.4 GHz antenna extension kit	57.32
8064-046 2.4 GHz cable extension (13-ft)	48.90
1514-004 Replacement dome antenna	34.40
1514-003 Replacement 6-inch antenna	52.00
1514-130 Wireless range test kit	798.00

Elevator Control

2348-040 ¹ Elevator control board + hardware	2110.00
2348-080 ² Lockable enclosure	2732.00
2348-081 ³ Lockable enclosure large	2980.00

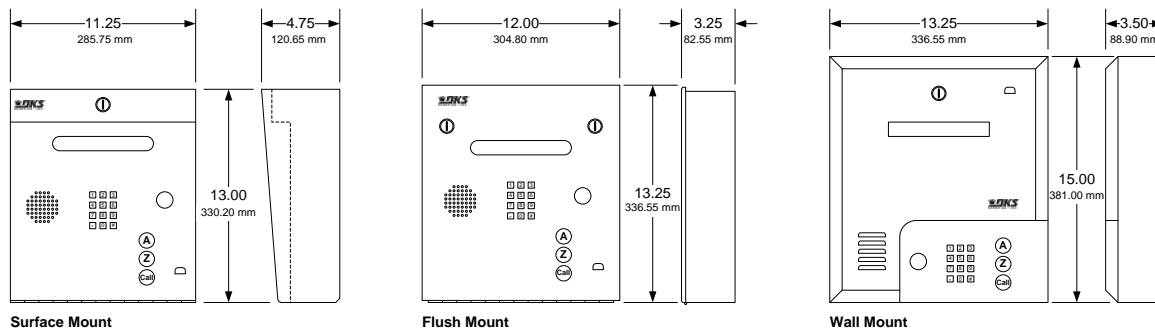
1 – Includes board and mounting hardware.
 2 – Includes one (1) 2348-010 board. Room for two (2) boards' total.
 3 – Includes one (1) 2340-010 board. Room for four (4) boards' total.

1834 Telephone Entry System

Residential, Commercial

1834

- Full duplex voice communication
- Stores up to 3000 phone numbers
- 255 area codes
- Programmable directory codes
- 10 and 11 digit dialing
- Two (2) built-in relays
- Eight (8) hold open time zones
- Built-in clock/calendar



Model	Phone Numbers	Directory	Entry Codes ¹	Device Codes ²	Relays	Auxiliary Inputs ³	Expansion ⁴	PC Programmable ⁵	Elevator Control	Transaction Buffer
1834	3000	1-Line Electronic	3000	0	2	0	No	Yes	No	8000

1. Entry codes are four (4) digits only and are not the same as device codes. Entry codes grant access when entered on the entry system keypad (or secondary keypad) only.
2. Device codes refer to any five (5) digit 26-bit wiegand device used to access an entry point, such as cards, transmitters or PINs (Personal Identification Number). Five (5) digit device codes can also be used on the system keypad.
3. 1834 does not have any 26-bit wiegand inputs.
4. Up to 24 additional entry points can be controlled via card readers, AVID tag readers, RF receivers or digital keypads using tracker expansion boards.
5. Programming and transaction analysis software available for free download at doorking.com.

1834 Telephone Entry Systems

Residential, Commercial

1834 Telephone Entry System

1834-080 Surface Mount	2716.00
1834-084 Flush Mount	2716.00
1834-089 Wall Mount	2970.00

Service Connection Options

1800-080 Cellular Voice + Data ¹	622.00
2334-080 VoIP and TCP/IP Control Box ^{3,5}	550.00
1815-568 VoIP Adapter ^{2,4}	122.00
1830-186 Plug & Play ^{3,4} (Plug & Play)	218.00
1830-185 Network Adapter (Manual Setup)	218.00

1 – DKS Cellular subscription required.

2 – DKS VoIP subscription required.

3 – DKS VoIP or Data over IP subscription required.

4 – 1815-568 is required for voice, 1830-186 or 1830-185 is required for data

5 – Combines the 1815-568 and 1830-186 into a common housing with built-in Ethernet switch.

Programming Only Connection Options

1508-055 RS232 to RS422 Conversion Kit	1204.00
1815-037 USB to RS232 Adapter	172.00
1818-040 RS232 Connecting Cable (6-ft)	44.86

Accessories

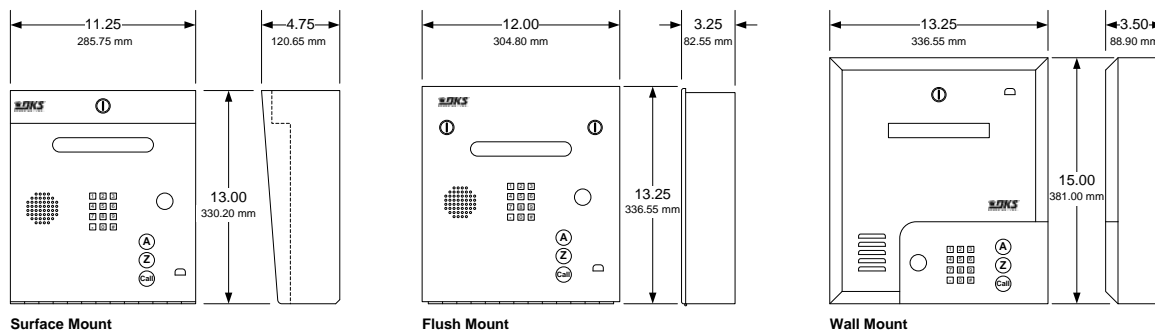
1803-150 Surface Mount Recess Kit	224.00
1814-165 Flush Mount Kit Stainless Steel	378.00
1814-152 Surface Mount Ring for Flush Units	224.00
1506-081 Secondary Keypad surface mount	422.00
1506-091 Secondary Keypad flush mount	548.00
1720-080 LED Light Kit	422.00
1804-193 External Speaker	192.00
1801-008 Backup Battery 12-Volt .8 Ah	87.16
2600-584 Heater Kit	162.00
1812-145 CCTV Color Camera	974.00
1807-012 Handset Kit (surface mount only)	402.00

1835 Telephone Entry System

Residential, Commercial

1835

- Full duplex voice communication
- Stores up to 3000 phone numbers
- 255 area codes
- Programmable directory codes
- 10 and 11 digit dialing
- Built-in clock/calendar
- Three (3) built-in relays
- Two (2) 26-bit wiegand inputs
- Expandable to control up to 24 entrances
- 31 security (permission) levels
- 32 holiday schedules
- True anti-pass back features



Model	Phone Numbers	Directory	Entry Codes ¹	Device Codes ²	Relays	Auxiliary Inputs ³	Expansion ⁴	PC Programmable ⁵	Elevator Control	Transaction Buffer
1835	3000	1-Line Electronic	3000	8000	3	2	24 Max	Yes	Yes	8000

1. Entry codes are four (4) digits only and are not the same as device codes. Entry codes grant access when entered on the entry system keypad (or secondary keypad) only.
2. Device codes refer to any five (5) digit 26-bit wiegand device used to access an entry point, such as cards, transmitters or PINs (Personal Identification Number). Five (5) digit device codes can also be used on the system keypad.
3. 1835 has two 26-bit wiegand inputs.
4. Up to 24 additional entry points can be controlled via card readers, AVID tag readers, RF receivers or digital keypads using tracker expansion boards.
5. Programming and transaction analysis software available for free download at doorking.com.

1835 Telephone Entry Systems

Residential, Commercial

1835 Telephone Entry System

1835-080 Surface Mount	3980.00
1835-084 Flush Mount	3980.00
1835-089 Wall Mount	4222.00

Service Connection Options

1800-080 Cellular Voice + Data ¹	622.00
2334-080 VoIP and TCP/IP Control Box ^{3,5}	550.00
1815-568 VoIP Adapter ^{2,4}	122.00
1830-186 Plug & Play ^{3,4} (Plug & Play)	218.00
1830-185 Network Adapter (Manual Setup)	218.00

1 – DKS Cellular subscription required.
 2 – DKS VoIP subscription required.
 3 – DKS VoIP or Data over IP subscription required.
 4 – 1815-568 is required for voice, 1830-186 or 1830-185 is required for data
 5 – Combines the 1815-568 and 1830-186 into a common housing with built-in Ethernet switch.

Programming Only Connection Options

1508-055 RS232 to RS422 Conversion Kit	1204.00
1815-037 USB to RS232 Adapter	172.00
1818-040 RS232 Connecting Cable (6-ft)	44.86

Accessories

1803-150 Surface Mount Recess Kit	224.00
1814-165 Flush Mount Kit Stainless Steel	378.00
1814-152 Surface Mount Ring for Flush Units	224.00
1506-081 Secondary Keypad surface mount	422.00
1506-091 Secondary Keypad flush mount	548.00
1720-080 LED Light Kit	422.00
1804-193 External Speaker	192.00
1801-008 Backup Battery 12-Volt .8 Ah	87.16
2600-584 Heater Kit	162.00
1812-145 CCTV Color Camera	974.00
1807-012 Handset Kit (surface mount only)	402.00

Expansion Options

2358-010 Tracker Expansion Board	492.00
2351-080 SGL Box ¹ (1 board max)	664.00
2351-083 SGL Box ¹ + 1489-080 RF Module	1088.00
2351-082 QUAD Box ¹ Pre-wired (4 boards max)	1148.00

1 – Includes one (1) 2358-010 board and 16V, 40 VA transformer.

Expansion Option Wireless Kits

2361-080 Base Board Kit ¹	802.00
1489-080 Expansion Board Kit ²	424.00
2364-080 Single channel repeater	448.00
2372-080 Dual channel repeater	644.00

1 - One (1) base board kit is installed in the 1833 controller.
 2 – Expansion board kit(s) are installed on each 2358 tracker board.

1514-075 2.4 GHz antenna extension kit	57.32
8064-046 2.4 GHz cable extension (13-ft)	48.90
1514-004 Replacement dome antenna	34.40
1514-003 Replacement 6-inch antenna	52.00
1514-130 Wireless range test kit	798.00

Elevator Control

2348-040 ¹ Elevator control board + hardware	2110.00
2348-080 ² Lockable enclosure	2732.00
2348-081 ³ Lockable enclosure large	2980.00

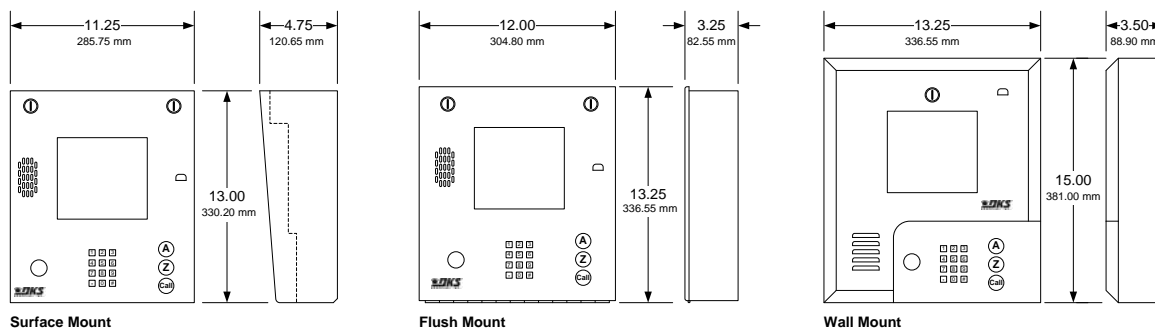
1 – Includes board and mounting hardware.
 2 – Includes one (1) 2348-010 board. Room for two (2) boards' total.
 3 – Includes one (1) 2340-010 board. Room for four (4) boards' total.

1837 Telephone Entry System

Residential, Commercial

1837

- Full duplex voice communication
- Stores up to 3000 phone numbers
- 255 area codes
- Programmable directory codes
- 10 and 11 digit dialing
- Built-in clock/calendar
- Three (3) built-in relays
- Two (2) 26-bit wiegand inputs
- Expandable to control up to 24 entrances
- 31 security (permission) levels
- 32 holiday schedules
- True anti-pass back features



Model	Phone Numbers	Directory	Entry Codes ¹	Device Codes ²	Relays	Auxiliary Inputs ³	Expansion ⁴	PC Programmable ⁵	Elevator Control	Transaction Buffer
1837	3000	8-Line Electronic	3000	8000	3	2	24 Max	Yes	Yes	8000

1. Entry codes are four (4) digits only and are not the same as device codes. Entry codes grant access when entered on the entry system keypad (or secondary keypad) only.
2. Device codes refer to any five (5) digit 26-bit wiegand device used to access an entry point, such as cards, transmitters or PINs (Personal Identification Number). Five (5) digit device codes can also be used on the system keypad.
3. 1837 has two 26-bit wiegand inputs.
4. Up to 24 additional entry points can be controlled via card readers, AVID tag readers, RF receivers or digital keypads using tracker expansion boards.
5. Programming and transaction analysis software available for free download at doorking.com.

1837 Telephone Entry Systems

Residential, Commercial

1837 Telephone Entry System

1837-080 Surface Mount	5848.00
1837-084 Flush Mount	5848.00
1837-089 Wall Mount	6100.00

Service Connection Options

1800-080 Cellular Voice + Data ¹	622.00
2334-080 VoIP and TCP/IP Control Box ^{3,5}	550.00
1815-568 VoIP Adapter ^{2,4}	122.00
1830-186 Plug & Play ^{3,4} (Plug & Play)	218.00
1830-185 Network Adapter (Manual Setup)	218.00

1 – DKS Cellular subscription required.
 2 – DKS VoIP subscription required.
 3 – DKS VoIP or Data over IP subscription required.
 4 – 1815-568 is required for voice, 1830-186 or 1830-185 is required for data
 5 – Combines the 1815-568 and 1830-186 into a common housing with built-in Ethernet switch.

Programming Only Connection Options

1508-055 RS232 to RS422 Conversion Kit	1204.00
1815-037 USB to RS232 Adapter	172.00
1818-040 RS232 Connecting Cable (6-ft)	44.86

Accessories

1803-150 Surface Mount Recess Kit	224.00
1814-165 Flush Mount Kit Stainless Steel	378.00
1814-152 Surface Mount Ring for Flush Units	224.00
1506-081 Secondary Keypad surface mount	422.00
1506-091 Secondary Keypad flush mount	548.00
1720-080 LED Light Kit	422.00
1804-193 External Speaker	192.00
1801-008 Backup Battery 12-Volt .8 Ah	87.16
2600-584 Heater Kit	162.00
1812-145 CCTV Color Camera	974.00
1807-012 Handset Kit (surface mount only)	402.00

Expansion Options

2358-010 Tracker Expansion Board	492.00
2351-080 SGL Box ¹ (1 board max)	664.00
2351-083 SGL Box ¹ + 1489-080 RF Module	1088.00
2351-082 QUAD Box ¹ Pre-wired (4 boards max)	1148.00

1 – Includes one (1) 2358-010 board and 16V, 40 VA transformer.

Expansion Option Wireless Kits

2361-080 Base Board Kit ¹	802.00
1489-080 Expansion Board Kit ²	424.00
2364-080 Single channel repeater	448.00
2372-080 Dual channel repeater	644.00

1 - One (1) base board kit is installed in the 1833 controller.
 2 – Expansion board kit(s) are installed on each 2358 tracker board.

1514-075 2.4 GHz antenna extension kit	57.32
8064-046 2.4 GHz cable extension (13-ft)	48.90
1514-004 Replacement dome antenna	34.40
1514-003 Replacement 6-inch antenna	52.00
1514-130 Wireless range test kit	798.00

Elevator Control

2348-040 ¹ Elevator control board + hardware	2110.00
2348-080 ² Lockable enclosure	2732.00
2348-081 ³ Lockable enclosure large	2980.00

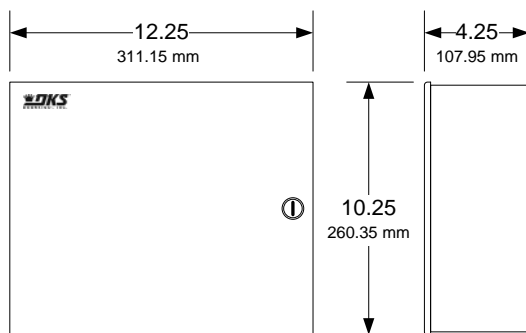
1 – Includes board and mounting hardware.
 2 – Includes one (1) 2348-010 board. Room for two (2) boards' total.
 3 – Includes one (1) 2340-010 board. Room for four (4) boards' total.

1838 Access Controller

Commercial

1838

- Stores up to 3000 user names
- Programmable directory codes
- Built-in clock/calendar
- Voice communication capability
- Optional plug-in programming display
- Three (3) built-in relays
- Two (2) 26-bit wiegand inputs
- Expandable to control up to 24 entrances
- 31 security (permission) levels
- 32 holiday schedules
- True anti-pass back features



Model	User Names	Directory	Entry Codes ¹	Device Codes ²	Relays	Auxiliary Inputs ³	Expansion ⁴	PC Programmable ⁵	Elevator Control	Transaction Buffer
1838	3000	N / A	3000	8000	3	2	24 Max	Yes	Yes	8000

1. Entry codes are four (4) digits only and are not the same as device codes. Entry codes grant access when entered on the entry system keypad (or secondary keypad) only.
2. Device codes refer to any five (5) digit 26-bit wiegand device used to access an entry point, such as cards, transmitters or PINs (Personal Identification Number). Five (5) digit device codes can also be used on the system keypad.
3. 1838 has two 26-bit wiegand inputs.
4. Up to 24 additional entry points can be controlled via card readers, AVID tag readers, RF receivers or digital keypads using tracker expansion boards.
5. Programming and transaction analysis software available for free download at doorking.com.

1838 Access Controller

Commercial

1838 Access Controller

1838-081 Surface Mount 1998.00

Service Connection Options

1800-080 Cellular Voice + Data¹ 622.00

2334-080 VoIP and TCP/IP Control Box^{3,5} 550.00

1815-568 VoIP Adapter^{2,4} 122.00

1830-186 Plug & Play^{3,4} (Plug & Play) 218.00

1830-185 Network Adapter (Manual Setup) 218.00

1 – DKS Cellular subscription required.

2 – DKS VoIP subscription required.

3 – DKS VoIP or Data over IP subscription required.

4 – 1815-568 is required for voice, 1830-186 or 1830-185 is required for data

5 – Combines the 1815-568 and 1830-186 into a common housing with built-in Ethernet switch.

Programming Only Connection Options

1508-055 RS232 to RS422 Conversion Kit 1204.00

1815-037 USB to RS232 Adapter 172.00

1818-040 RS232 Connecting Cable (6-ft) 44.86

Call Stations^{1, 2}

1838-120 Call station w/keypad 826.00

1838-121 Call Station w/ID Tech card reader 666.00

1838-122 Call station w/AWID card reader 654.00

1838-123 Call station w/HID card reader 882.00

1838-124 Call station w/DK Prox card reader 574.00

1494-010 Microphone combiner³ 68.80

1 – Provides voice communication via telephone communication.

2 – Requires active telephone line.

3 – Use if two call stations will share the same telephone line.

Accessories

1838-220 1 x 20 LCD Programming Display 826.00

1506-081 Secondary Keypad surface mount 422.00

1506-091 Secondary Keypad flush mount 548.00

1801-008 Backup Battery 12-Volt .8 Ah 87.16

Expansion Options

2358-010 Tracker Expansion Board 492.00

2351-080 SGL Box¹ (1 board max) 664.00

2351-083 SGL Box¹ + 1489-080 RF Module 1088.00

2351-082 QUAD Box¹ Pre-wired (4 boards max) 1148.00

1 – Includes one (1) 2358-010 board and 16V, 40 VA transformer.

Expansion Option Wireless Kits

2361-080 Base Board Kit¹ 802.00

1489-080 Expansion Board Kit² 424.00

2364-080 Single channel repeater 448.00

2372-080 Dual channel repeater 644.00

1 – One (1) base board kit is installed in the 1833 controller.

2 – Expansion board kit(s) are installed on each 2358 tracker board.

1514-075 2.4 GHz antenna extension kit 57.32

8064-046 2.4 GHz cable extension (13-ft) 48.90

1514-004 Replacement dome antenna 34.40

1514-003 Replacement 6-inch antenna 52.00

1514-130 Wireless range test kit 798.00

Elevator Control

2348-040¹ Elevator control board + hardware 2110.00

2348-080² Lockable enclosure 2732.00

2348-081³ Lockable enclosure large 2980.00

1 – Includes board and mounting hardware.

2 – Includes one (1) 2348-010 board. Room for two (2) boards' total.

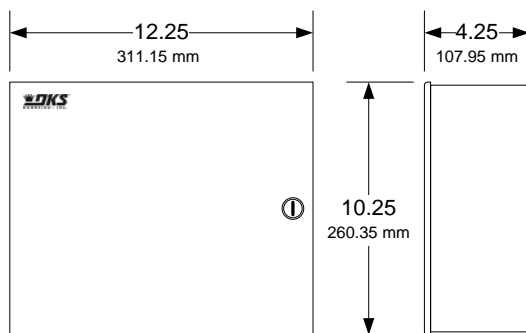
3 – Includes one (1) 2340-010 board. Room for four (4) boards' total.

1838 Access Plus Controller

Residential, Commercial

1838 AP

- Stores up to 100 user names
- Programmable directory codes
- Built-in clock/calendar
- Voice communication capability
- Optional plug-in programming display
- Control up to 8 entry points
- IP Addressable
- PC Programmable
- 2-Digit directory codes
- 20-digit dialing
- Includes 16 VAC power transformer



Model	Phone Numbers	Directory Names	Entry Codes ¹	Device Codes ²	Relays	Auxiliary Inputs ³	Expansion ⁴	PC Programmable ⁵	Temporary Codes	Holiday Schedules
1838 AP	27	N/A	50	100	2	2	6 Max	Yes	10	Yes

1. Entry codes are four (4) digits only and are not the same as device codes. Entry codes grant access when entered on the entry system keypad (or secondary keypad) only.
2. Device codes refer to any five (5) digit RS-485 device used to access an entry point, such as cards, transmitters or PINs (Personal Identification Number). Five (5) digit device codes can also be used on the system keypad.
3. 1838 AP uses a standard RS-485 data input.
4. Six (6) additional entry points can be controlled via RS-485 card readers, AVID tag readers, RF receivers or digital keypads.
5. AP Programming software available for free download at doorking.com.

1838 Access Plus Controller

Residential, Commercial

1838 Access Plus Controller

1838-095 Surface Mount 1778.00

Service Connection Options

1800-081 Cellular Voice + Data¹ 622.00

1815-568 VoIP Adapter² 122.00

1 – DKS Cellular subscription required.

2 – DKS VoIP subscription required.

1838 AP (ACCESS PLUS ONLY) Expansion Options

2354-010 Conversion Board 172.00

1815-235 Conversion Board w/Enclosure 300.00

Converts 26-bit Wiegand to RS-485. Requires 12-16 VDC power.

1812-020 12-VDC, 1A Transformer 49.16

1200-080 Transformer Box 222.00

1816-083 Intercom Phone Expansion 1090.00

The 1816-083 expands the "No Phone Line" telephone intercom interface on Access Plus systems from a single phone line up to 11 phone lines. The system can be further expanded to interface with up to a maximum of 23 phone lines.

RS-485 Card Readers (ACCESS PLUS ONLY) 1815-332 DK Prox Reader 412.00

1815-232 ID Tech Reader 480.00

1815-233 AWID Reader 492.00

1815-234 HID Reader 872.00

RS-485 Keypads (ACCESS PLUS ONLY)

1513-081 Surface Mount 516.00

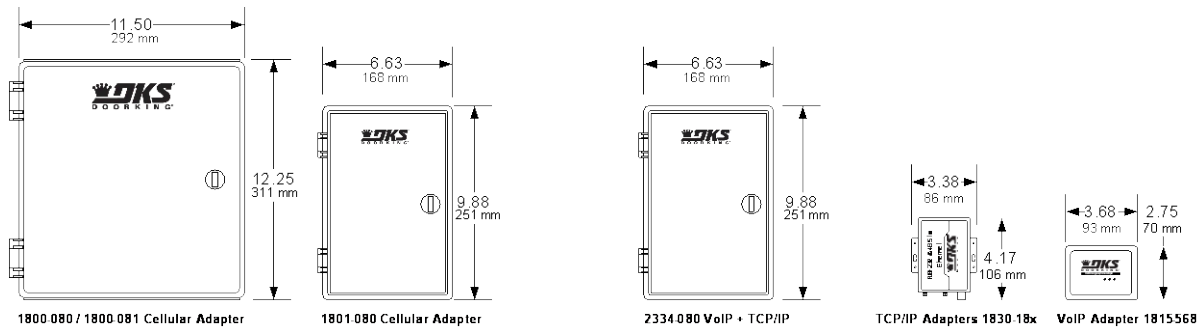
1513-082 Flush Mount 642.00

RS-485 RF Controls (ACCESS PLUS ONLY)

8053-080 MicroPlus Receiver 208.00

Connection Options

Cellular, TCP/IP Network, VoIP

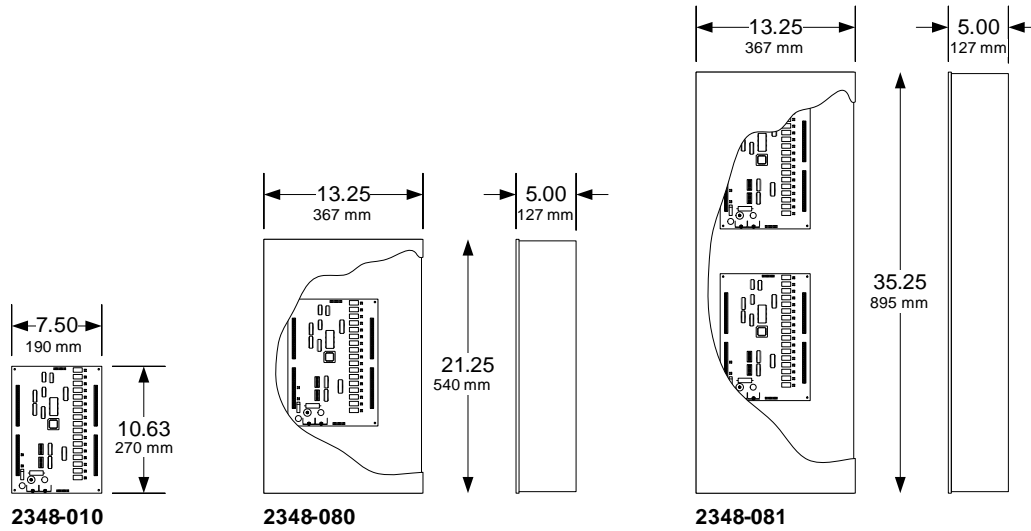


Cellular¹	
1800-080 Voice + Data	622.00
1800-081 Voice + Data (AP models only).....	622.00
1801-080 Voice only	414.00
1. Cellular subscription required.	
VoIP + Internet	
2334-080 VoIP = Internet ^{1,2}	550.00
1. DKS VoIP or Data subscription required.	
2. Includes 1830-186, 1815-568 + switch in a common enclosure.	

TCP/IP Network Adapters	
1830-185 (Manual setup)	218.00
1830-186 ¹ (Plug & Play)	218.00
1. DKS VoIP or Data over IP subscription required.	
VoIP Adapter	
1815-568 ¹	122.00
1. DKS VoIP subscription required.	

Model 2348

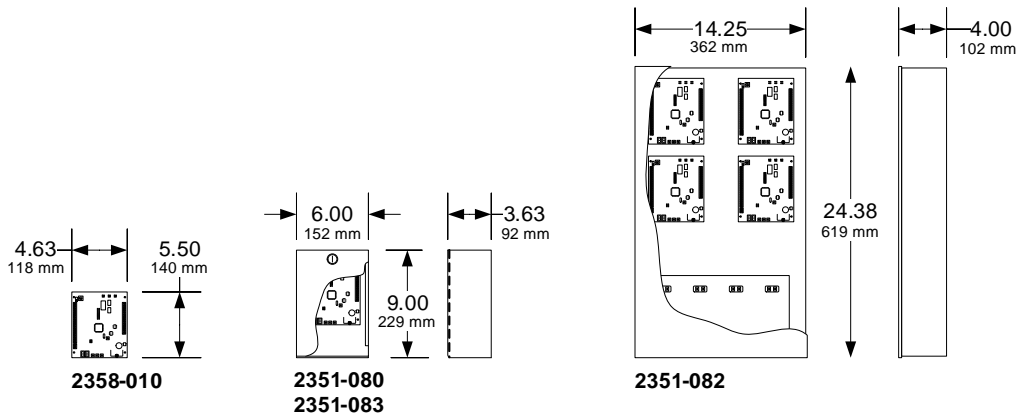
Elevator Control



Elevator Control Board	
2348-040	2110.00
<ul style="list-style-type: none"> Includes mounting hardware. 	
Enclosures¹	
2348-080	2732.00
<ul style="list-style-type: none"> Maximum two (2) 2348 boards. 	
2348-081	2980.00
<ul style="list-style-type: none"> Maximum four (4) 2348 boards. 	
<p><i>1. Includes one (1) 2348 control board and power transformer.</i></p>	

Expansion Boards

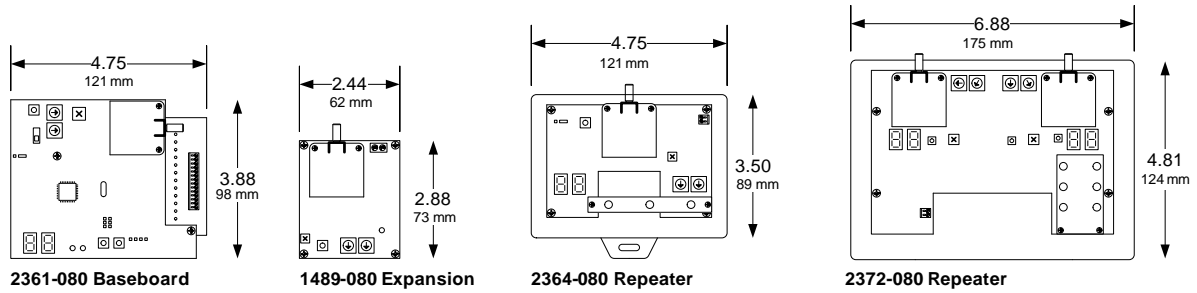
Tracker Expansion Boards



Tracker Expansion Board	
2358-010	492.00
Enclosures	
2351-080	664.00
<ul style="list-style-type: none"> Includes one (1) 2358-010 board and 16V, 40 VA transformer. 	
2351-083	1088.00
<ul style="list-style-type: none"> Includes one (1) 2358-010 board, 1489-080 RF Module and 16V, 40 VA transformer. 	
2351-082	1148.00
<ul style="list-style-type: none"> Includes one (1) 2358-010 board and 16V, 40 VA transformer. Can hold a maximum four (4) 2358-010 boards. Pre-wired. 	

Wireless Kits

Tracker Expansion Board Wireless Kits

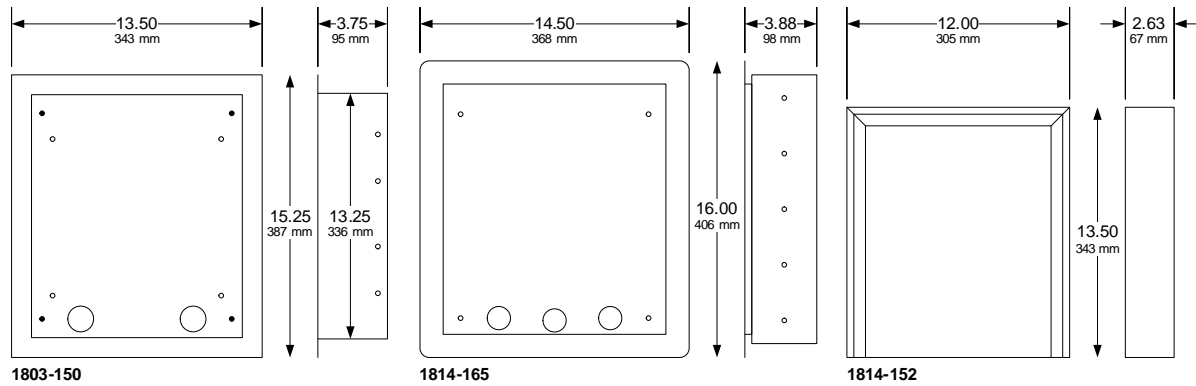


Baseboard Kit	
2361-080	802.00
<ul style="list-style-type: none"> Plugs into the 1830 series control board. Includes 1514-075 antenna kit and vandal resistant dome antenna. 	
Expansion Board Kit	
1489-080	424.00
<ul style="list-style-type: none"> Plugs into the 2358 expansion board. Includes 6-inch and vandal resistant dome antenna. 	
Single Channel Repeater	
2364-080	448.00
<ul style="list-style-type: none"> Extends the range when a single 1489 kit is in use. 	
Dual Channel Repeater	
2372-080	644.00
<ul style="list-style-type: none"> Extends the range when multiple 1489 kits are in use. 	

Accessories	
1514-075 Antenna Kit 2.4 GHz	57.32
<ul style="list-style-type: none"> Includes 6-inch antenna, mounting bracket and 13-foot cable. 	
8064-046 Extension Cable	48.90
<ul style="list-style-type: none"> 2.4 GHz extension cable. Use with 1514-075. 	
1514-003 6-inch Antenna	52.00
1514-004 Dome Antenna	34.40
Field Range Test Kit	
1514-130	798.00
<ul style="list-style-type: none"> Includes a simulated Baseboard Kit, simulated Expansion Board Kit and 1514-075 Antenna Kit. Use to verify a good wireless connection between base and remote stations. 	

Mounting Kits

Telephone Entry System Mounting Kits



Surface Mount Trim Ring - Black

1803-150 224.00

- Use with surface mount 1803, 1810, 1833, 1834, 1835 and 1837 systems.

Flush Kit Stainless Steel

1814-165 378.00

- Use with flush mount 1803, 1810, 1833, 1834, 1835 and 1837 systems.

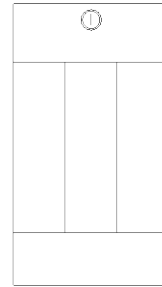
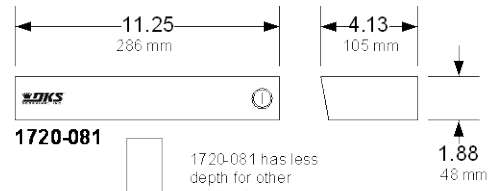
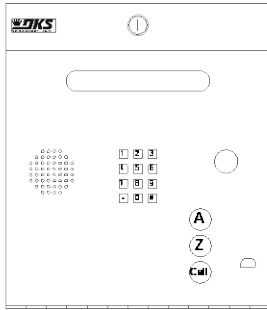
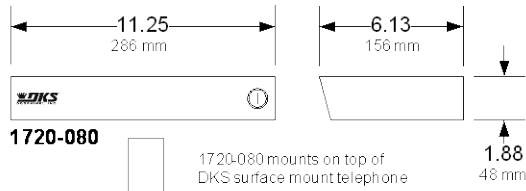
Surface Mount Adapter for Flush Units

1814-152 224.00

- Allows a flush mount unit to be mounted directly to a flat surface. Indoor use only.
- Use with flush mount 1803, 1810, 1833, 1834, 1835 and 1837 systems.

Model 1720

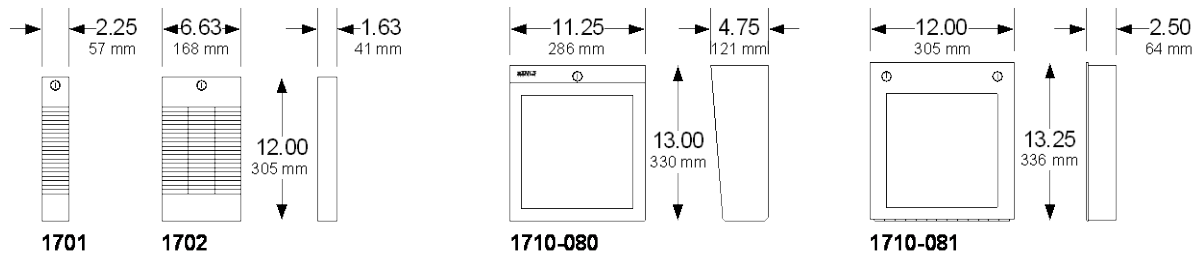
Telephone Entry System LED Light Kit



LED Light Kit - Long	
1720-080	422.00
<ul style="list-style-type: none"> Use with surface mount 1803, 1810, 1833, 1834, 1835 and 1837 systems. 	
LED Light Kit - Short	
1720-081	412.00
<ul style="list-style-type: none"> Use with add-on directory. 	

Model 1701 / 1702 / 1710

Add-On Directories



Add-On Directories – Non-Lighted

1701-080148.00

- 20 name capacity.

1702-080218.00

- 60 name capacity.

Add-On Directories – LED Lighted

1710-080 Surface Mount460.00

1710-081 Flush Mount460.00

- These directories use 8-1/2 x 11 sheet paper. Make your own directory with a word processor program.

Lighted Directory Mounting Accessories

1803-150 Surface Mount recess kit..... 224.00

- Use with the 1710-080 directory.

1814-165 Flush Mount kit 378.00

- Use with the 1710-081 directory.

Accessories

Handset Kits, Isolation Transformers, Miscellaneous, CCTV Camera Kits

Handset Conversion Kit	
1807-012.....	402.00
Handset, adapter, hanger and speaker cover	
Replacement Handset	
1807-006.....	312.00

Isolation Transformers	
1830-140.....	73.38
Use with 1810, 1833, 1838 1808, 1810, 1812 Access Plus Systems	
1830-142.....	73.38
Use with 1834, 1835, 1837	

Miscellaneous	
1506-081 Secondary Keypad surface mount	422.00
1506-091 Secondary Keypad flush mount	548.00
1801-008 Backup Battery 12-Volt .8 AH	87.16
1804-193 External Speaker.....	192.00
Use in high noise areas	
2600-584 Heater Kit	162.00
2600-588 Heater Kit	206.00
2600-582 LCD Heater Kit	50.46
1816-070 Line Sense Relay	50.46
2600-657 Replacement Key 16120	7.24

Key Lock Sets (Lock + 2 Keys)	
4001-035 Lock #16120 (standard key lock).....	20.22
4001-038 Lock #16121	20.22
4001-039 Lock #16122	20.22
4001-041 Lock #16123	20.22
4001-042 Lock #16124	20.22
4001-043 Lock #16125	20.22
4001-044 Lock #16126	20.22
4001-045 Lock #16127	20.22
4001-046 Lock #16128	20.22
4001-047 Lock #16129	20.22
4001-048 Lock #16130	20.22

CCTV Camera Kit – High Resolution	
1812-145.....	974.00
High resolution color camera kit (camera, mounting bracket, wire harness, power supply)	
Use this camera with the following models:	
1504-080, 1504-081, 1504-082, 1504-083, 1504-084, 1504-085, 1504-086, 1504-090, 1504-091, 1504-120, 1504-121, 1504-122, 1504-123, 1504-124	
1802-082, 1802-083, 1802-089, 1802-090, 1802-091	
1803-080, 1803-083, 1803-084, 1803-088, 1803-090, 1803-092, 1803-097	
1808-081, 1808-082, 1808-083, 1808-084, 1808-085	
1810-084, 1810-090, 1810-092, 1810-094, 1810-096	
1812-083, 1812-084, 1812-088, 1812-093, 1812-094	
1819-080	
1833-080, 1833-081, 1833-084, 1833-085	
1834-084, 1834-085, 1834-089	
1835-084, 1835-085, 1835-089	
1837-080, 1837-081, 1837-084, 1837-085	
1838-120, 1838-021, 1838-122, 1838-123, 1838-124	

CCTV Camera Kit – High Resolution	
1812-147.....	974.00
High resolution color camera kit (camera, mounting bracket, wire harness, power supply)	
Use this camera with the following models:	
1810-080, 1810-088, 1810-095	
1812-076, 1812-077, 1812-078, 1812-079, 1812-081, 1812-085, 1812-086, 1812-087, 1812-089, 1812-090, 1812-091, 1812-092, 1812-095, 1812-096, 1812-097	
1815-247, 1815-248, 1815-249, 1815-250, 1815-251	
1834-080, 1834-081	
1835-080, 1835-081	
1838-228	

Video Adapter	
1812-039.....	482.00
Converts coax to twisted pair for wire runs of up to 3000-ft (B/W) or 1600-ft (color), two required	

Replacement Components

Electronic Components

Circuit Boards	
1862-010	964.00
Use with 1802, 1802-EPD, 1803, 1808, 1810, 1819	
1863-010	688.00
Use with all "P" series lobby panels	
1871-010	1404.00
Use with 1812 Classic only	
1971-010	1404.00
Use with 1812 Plus only	
1885-010	1720.00
Use with 1816 and 1820 only	
1833-010	1720.00
Use with 1833 only	
1834-010	1834.00
Use with 1834 only	
1834-009	1834.00
Use with 1834 wall mount units only	
1835-010	2110.00
Use with 1835 only	
1835-009	2110.00
Use with 1835 wall mount units only	
1837-010	1720.00
Use with 1837 only	
1838-010	1744.00
Use with 1838 only	
1970-010	1632.00
Use with 1802 AP, 1808 AP, 1810 AP, 1812 AP, 1838 AP	
2354-010	172.00
RS-485 to Wiegand interface board	

Miscellaneous	
1998-020	100.90
Replacement microphone kit	
1998-010	100.90
Replacement microphone board	
1997-190	12.04
Microphone wire harness for 1998-010 only	
1804-290	27.52
5-watt speaker (square)	
1817-190	38.98
Oval speaker	

Keypads	
1895-016	134.00
Keypad with letters	
1895-017	134.00
Keypad no letters	
1895-019	126.00
Keypad 10-pin	
1804-038	24.08
Ribbon cable for 1895-016 & 1895-017	
1804-155	148.00
Keypad (no letters) & ribbon cable	
1804-156	148.00
Keypad (with letters) & ribbon cable	
1895-032	142.00
Keypad, green back lighted	
1895-060	312.00
Lighted keypad-green, A-Z-CALL button retrofit kit	
1804-158	150.00
Lighted keypad-green, retrofit kit	

LCD Displays	
1891-010 Single-Line 20 Character	802.00
Use with 1834, 1835	
1894-010 (Obsolete) Single-Line 20 Character.....	802.00
Use with 1814, 1815	
1896-012 Eight-Line 20 Character.....	802.00
Use with 1837 only	
1815-016.....	24.04
Ribbon cable for 1896-018 display	

LED Light Kits	
1804-700	59.64
Use with 1810 surface mount	
1804-701	22.94
Use with 1802	
1804-702	41.28
Use with 1808, 1834, 1835 surface mount	
1804-703	41.28
Use with 1710 directory	
1804-704	22.94
Use with 1812	
1804-707	341.28
Use with 1810 flush mount	

