



Section A1

This Price Schedule is effective January 1, 2018.

Vehicular Traffic Control

Date	Page	Comment
1-1-18	All	January, 2018 Price Schedule update.
1-26-18	6, 7	Added 1601-180, 1601-181 Gray Housing and 1601-283 Gray arm hub cover.
1-26-18	6, 7	Added 1620-08x Lane Barrier Add-On options.
2-20-18	6 – 11	Updated voltage information in charts and moved high voltage kit under operator part numbers.
	20 - 23	
	28 - 29	
	34 - 35	
2-20-18	28 - 29	Deleted part numbers 9000-090, 9000-091 and 9000-092.
3-14-18	16 - 17	Deleted P/N 6006-080. Added P/N 6003-080.
3-14-18	27	Removed reference to 6006. Added reference to 6003.
3-27-18	7	Added 1601-528 2-piece arm – breakaway.
5-18-18	2	Modified UL 325 statement.
5-18-18	6, 7, 10, 11	Clarified that the arm length using the fold option is 12 Ft.
5-22-18	4	Adjusted overall length measurements.
8-1-18	3	Added information about the August, 2018 UL 325 update.
8-1-18	4 - 47	All page numbers increased by 2.
8-1-18	7, 19, 21, 23, 25, 27, 29, 31, 33, 35, 37, 40	Updated part numbers.
8-2-18	24	Added non-UL note to models 6550 and 6555.
8-15-18	42	Corrected description on P/N 8080-050.
8-24-18	7, 9, 11, 13, 21, 23, 25, 27, 31, 33, 35, 37, 46	Deleted P/N 1000-080 and 1000-082. Added P/N 1000-083.
9-5-18	27, 33, 40	Added 9024-136, 9024-137 RS 485 cable for DC operators.

Solar Tax Credit

Homeowners who purchase a solar powered gate operator manufactured by DoorKing, Inc. after December 31, 2008, may qualify for a 30% Federal Tax Credit off the installed cost of the system. This tax credit is available for the installed cost of the solar powered gate operator on the homeowner's Federal tax return.

The 30% [Investment Tax Credit \(ITC\)](#) for residential and commercial solar systems will expire on December 31, 2019, the ITC then steps down to 26 percent in 2020 and 22 percent in 2021. After 2021, the residential credit will drop to zero while the commercial and utility credit will drop to a permanent 10 percent. Commercial and utility projects which have commenced construction before December 31, 2021 may still qualify for the 30, 26 or 22 percent ITC if they are placed in service before December 31, 2023. The Treasury and IRS are currently drafting guidance which will inform solar developers of which percentage of ITC they will qualify for depending on when they started their project.

The solar powered Gate Operator is considered a "Qualified Solar Electric Property" authorized by the Internal Revenue Code Section 25D under the definition provided in paragraph d.2 and as such qualifies for the Residential Energy Efficient Tax Credit. You will need to complete Federal Form 5695 and attach it to your personal tax return in order to claim this credit. If you have any questions regarding this Federal Tax Credit, Form 5695 or its instructions, please consult your tax adviser. You should also check with your state tax agency to see if your state offers any additional solar energy tax incentives.

What is Covered:

The solar system tax credit applies to the total installed cost of the solar gate operator system. This includes the related solar panel, gate operator, solar control box, access control device, remote controls, obstruction detection device(s), etc.

DoorKing Model 6005 Swing Gate Actuator (P/N 6005-080)*

DoorKing Model 6006 Swing Gate Actuator (P/N 6006-080)*

DoorKing Model 6004 Swing Gate Operator (P/N 6004-080)*

DoorKing Model 6400 Swing Gate Operator (P/N 6400-080)*

** To qualify, must be installed with 4302-113, 4302-114 or 4302-115 Solar Control Box*

DoorKing Model 6524-081 Swing Gate Operator

DoorKing Model 9024-081 Slide Gate Operator

DoorKing Solar Kit (P/N 2000-070)

DoorKing Solar Panel (P/N 2000-076 or 2600-077)

Batteries; two (2) 18 Amp Hour (P/N 1801-004) or two (2) 35 Amp Hour (P/N 1801-005)

What is Not Covered:

The cost of the gate itself, or work required to place the physical gate into proper working order (leveling, replacing hinges, etc.).

Qualifications:

- The installation of a DoorKing Solar Powered Gate System
- Effective for tax years beginning after December 31, 2008
- Homeowners will need to use The Federal Tax Credit form 5695, Residential Energy Efficient Property Credit
- Homeowners will need to provide a copy of the "[Manufacturer's Certification for Credit](#)"
- The dwelling must be located in the United States and used as a residence by the taxpayer
- This offer is only available in the United States

UL 325 – August 2018 Update

Requirements mandated by the safety standard (UL 325) that DKS gate operators are listed to require that photo-beams and contact edges used for entrapment protection must be monitored. Entrapment protection must be provided for the gate system where the risk of entrapment exist. The gate operator will not run without one or more external entrapment protection devices installed in each direction of travel. Check the gate operator installation manual for a list of external entrapment protection devices that can be used with DKS gate operator products.

The August 2018 update to the safety standard requires that a minimum of two (2) independent means of entrapment protection must be provided in each direction of travel where the risk of entrapment exists. The inherent system in DKS gate operators is active in both directions of travel, so this qualifies as one means of entrapment protection in each direction. The second means will be an external device, such as a non-contact (Type B1) or a contact (Type B2) sensor as required in each direction. The actual number of external devices required is dependent on the gate system layout and the number of entrapment areas that will need to be protected. Installers will have to identify all potential areas where the risk of entrapment exist and how best to protect those areas. For example, some gates may require two (or more) external devices in each direction of travel to protect all potential areas of entrapment. The standard also mandates that all components used for monitoring purposes for external devices must be factory installed internally within the device.

There is an exception for swing gates and vertical lift gates regarding the minimum of two entrapment protection devices in each direction of travel. For example, if on a swing gate system there is no potential for entrapment in the opening direction, then only the close direction will require a minimum of two means of entrapment protection. Installers will have to determine if any entrapment hazards exist in the opening direction, and if so, then those areas will have to be protected with external devices.

Vertical lift gates require two means of entrapment protection in the down cycle, but will only require one means of entrapment protection in the up cycle. The model 1175 is considered to be a vertical lift gate operator for entrapment protection means requirements.

Barrier gate operators that are installed in such a way that the barrier arm does not come closer than 16 inches to a rigid object are not required to protect against entrapment.

The table below shows the minimum entrapment protection requirements for each type of gate operator in the scope of the UL 325 Standard for Safety.

	Opening	Closing
Horizontal Slide Gate	2	2
Horizontal Swing Gate	2*	2*
Vertical Pivot Gate	2	2
Vertical Lift gate	1	2
* For a horizontal swing gate operator, at least two independent entrapment protection means are required in each direction of travel. Except, if there is no entrapment zone in one direction of travel, only one means of entrapment protection is required in that direction of travel; however, the other direction must have two independent entrapment protection means.		

Blank Page

Table of Contents

Overhead / Barrier Gate Operators / Traffic Spike Systems

Model 1175	6
Model 1601	8
Model 1602	10
Model 1603	12
Traffic Control Spikes	14
Warning Signs / Traffic Signals	15
Overhead / Barrier Gate Operator Parts	16

Swing Gate Operators

Model 6005, 6006, 6004, 6400	18
Model 6050 / 6100	20
Model 6300	22
Model 6500 / 6550	24
Model 6524	26
Swing Gate Accessories	28
Swing Gate Operator Parts	29

Slide Gate Operators

Model 9000	30
Model 9024	32
Model 9050 / 9100	34
Model 9150	36
Slide Gate Accessories	38
Slide Gate Operator Parts	40

Entrapment Protection

Entrapment Protection Devices Non-Contact Type B1	42
Entrapment protection Devices Contact Type B2	43

Vehicle Detection

Loop Detectors and Loops	44
--------------------------------	----

Accessories

Control Stations	45
------------------------	----

Back-up Power Inverters

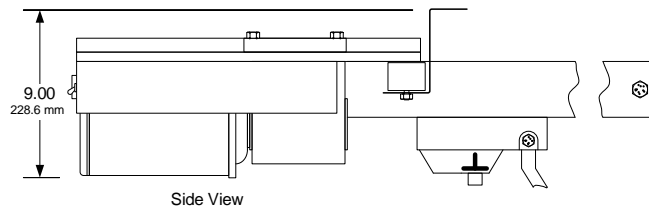
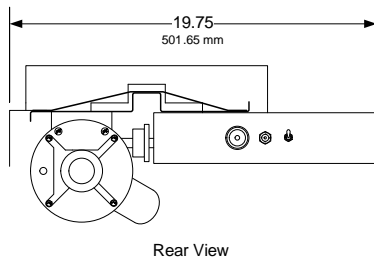
Model 1000	46
------------------	----

1175 Overhead Operator

Indoor Use Only

1175

- Adjustable Limits
- Plug-in Loop Detector Ports
- Built-in power and reset switches
- Gate Tracker Data Output
- Steel Frame
- #40 Roller Chain
- Heavy-duty 3-in (76.2 mm) Rails
- Up to 14 Ft (4.27 m) high gate



Model	Maximum Gate Height	Overall Length	Mount Options ¹	Class of Operation ²	Voltage	HP	Power Outlets	Maximum Cycles / Day	Loop Ports ³	Adjustable Clutch ⁴
1175	8 Ft 2.43 m	12.25 Ft 3.73 m	Ceiling	II, III, IV	115 VAC	1/2	N/A	Continuous	2	No
	10 Ft 3.05 m	14.25 Ft 4.34 m								
	12 Ft 3.66 m	16.25 Ft 4.95 m								
	14 Ft 4.27 m	18.25 Ft 5.56 m								

1. If the operator is mounted less than 8 feet above the ground, the optional powerhead cover (1175-020) is required.
2. II = Commercial; III = Limited Access; IV = Restricted Access.
3. Plug-in loop detector ports; open and reverse. DoorKing plug-in loop detectors only.
4. Operator is equipped with a Type A inherent detection system.

1175 Overhead Operator

Indoor Use Only

Powerhead Assembly

1175-380..... 1996.00

Optional Powerhead Cover

1175-020..... 302.00

Required if powerhead assembly is mounted less than 8 feet (2.43m) above the ground.

Rail Assembly

1150-225 (8 ft. high gate) 842.00

1150-226 (10 ft. high gate)..... 918.00

1150-227 (12 ft. high gate)..... 1178.00

1150-228 (14 ft. high gate)..... 1246.00

Entrapment Protection (required)

Use Type B1 (non-contact) and/or Type B2 (contact) entrapment protection devices to protect all areas where the risk of entrapment exist - see pages 42-43.

Operator will not run without entrapment protection device(s) connected to the controller board.

Loops and Loop Detectors

See page 42 for a complete list of all loop detectors, prefabricated loops and loop accessories available.

Surge Suppression

1879-080 High Voltage (120 VAC)..... 148.00

Backup Power Inverters

1000-083 1000 Watt, Pure Sine Wave 2046.00

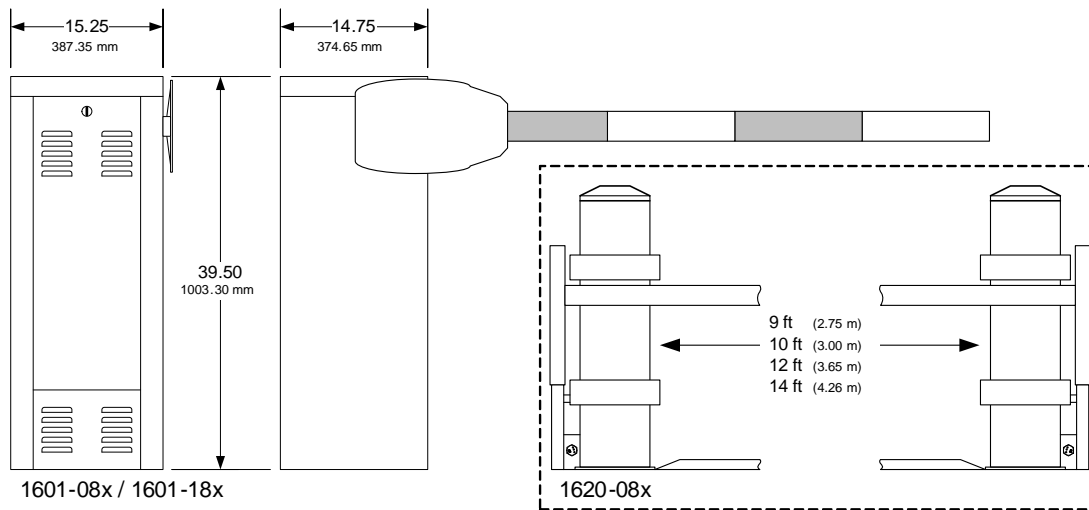
Includes two (2) 35 AH SLA batteries and can power up to two ½ HP operators or one (1) 1 HP operator. This version is suitable to be used with all brands of gate operators. See page 44 for more information.

1601 Barrier Gate Operator

Magnetic Limits

1601

- Magnetic Limits
- Plug-in Loop Detector Ports
- Gate Tracker Data Output
- Up input memory buffer
- Down memory buffer
- Built-in power and operate switches
- Two convenience outlets
- Left or right hand mount
- Galvanized steel housing
- 90° in approximately 1.5 sec.



Model ¹	Mount Options	Class of Operation ²	Voltage ³	HP	Power Outlets	Cycles / Day	Loop Ports ⁴	Arm Type ⁵	Maximum Length	Fold Option ⁶	Breakaway Option	Lighted Option ⁵
1601	Left or Right	II, III, IV	115 208 230 460 575 VAC	1/2	2	Continuous	2	Aluminum	14 Ft. 4.27 m	Yes	Yes	Yes
								Wood	14 Ft. 4.27 m	Yes	No	No
								Plastic	12 Ft. 3.66 m	Yes	No	No

1. 1601 is available with white housing (1601-08x) or gray housing (1601-18x). Gray housing includes stainless steel door.
2. II = Commercial; III = Limited Access; IV = Restricted Access.
3. High voltage kit (P/N 2600-266) required for 208 Volt and higher.
4. Plug-in loop detector ports; up loop and down loop. DoorKing plug-in loop detectors only.
5. Always use lighted aluminum arm when using the lane barrier (1620-08x) add-on option.
6. Maximum arm length using the fold option is 12 Ft. (3.66 m).

1601 Barrier Gate Operator

Magnetic Limits

Choose an Operator

1601-080 1/2 HP White Housing.....	3164.00
1601-081 1/2 HP w/COO ¹ White Housing	4106.00
1601-180 1/2 HP Gray Housing.....	3515.00
1601-181 1/2 HP w/COO ¹ Gray Housing.....	4317.00

1. Convenience Open Option provides a method to raise the arm when AC power has failed.

High Voltage

2600-266 High Voltage Kit.....	610.00
--------------------------------	--------

Allows the operator to be powered from 208, 230, 460 or 575 VAC source voltage.

Choose Entrapment Protection (required) Devices

Use Type B1 (non-contact) and/or Type B2 (contact) entrapment protection devices to protect all areas where the risk of entrapment exist - see pages 42-43.

Loops and Loop Detectors

See page 42 for a complete list of all loop detectors, prefabricated loops and loop accessories available.

Surge Suppression

1879-080 High Voltage (120 VAC)	148.00
---------------------------------------	--------

Backup Power Inverters

1000-083 1000 Watt, Pure Sine Wave	2046.00
--	---------

Includes two (2) 35 AH SLA batteries and can power up to two ½ HP operators or one (1) 1 HP operator. This version is suitable to be used with all brands of gate operators. See page 44 for more information.

Accessories

1601-281 Arm Hub Cover White ¹	90.88
1601-283 Arm Hub Cover Gray ¹	90.88
1603-210 Traffic Signal & Mount Kit	1044.00
1601-092 Heater Kit ²	258.00
1601-093 Fan Kit ³	258.00
1601-270 Manual Crank Kit.....	264.00

1. Arm hub cover is included with the 1601 operator. Shown here for replacement purposes only.

2. Use if temperature routinely falls below 10°F (-12°C).

3. Use in hot, humid environments.

Aluminum Arm – Standard

1601-242 Hardware Kit - Required.....	164.00
---------------------------------------	--------

Choose one arm from below

1601-516 Arm 14 Ft (4.27 m)	308.00
1601-524 Arm 14 Ft (4.27 m), 2-Piece ¹	374.00
1601-610 Arm Folding 12 Ft (3.66 m).....	506.00

1. Ships in 7-ft (2.13 m) long box to reduce shipping cost.

Aluminum Arm – LED Lighted

1601-242 Hardware Kit - Required.....	164.00
---------------------------------------	--------

1601-535 Power Harness – Required	156.00
---	--------

Choose one arm from below

1601-518 Arm 14 Ft (4.27 m) Lighted.....	552.00
1601-600 Arm Folding Lighted 12 Ft (3.66 m)	956.00

Aluminum Arm – Breakaway

1601-285 Breakaway Hardware Kit - Required.....	890.00
---	--------

Choose one arm from below

1601-522 Arm 14 Ft (4.27 m)	312.00
1601-528 Arm 14 Ft (4.27 m), 2-Piece ¹	410.00
1601-520 Arm 14 Ft (4.27 m) Lighted.....	552.00

1. Ships in 7-ft (2.13 m) long box to reduce shipping cost.

Wood Arm

1601-240 Hardware Kit - Required.....	138.00
---------------------------------------	--------

Choose one arm from below

1601-348 Arm 14 Ft (4.27 m)	244.00
1601-384 Arm Folding 12 Ft (3.66 m).....	420.00

Plastic Arm

1601-241 Hardware Kit - Required.....	138.00
---------------------------------------	--------

Choose one arm from below

1601-571 Arm 12 Ft (3.66 m)	142.00
1601-383 Arm Folding 12 Ft (3.66 m).....	420.00

Lane Barrier Add-On¹

1620-080 9 ft (2.75 m) opening width.....	25,764.00
1620-081 10 ft (3.00 m) opening width.....	26,364.00
1620-083 12 ft (3.65 m) opening width.....	27,864.00
1620-085 14 ft (4.26 m) opening width.....	28,564.00

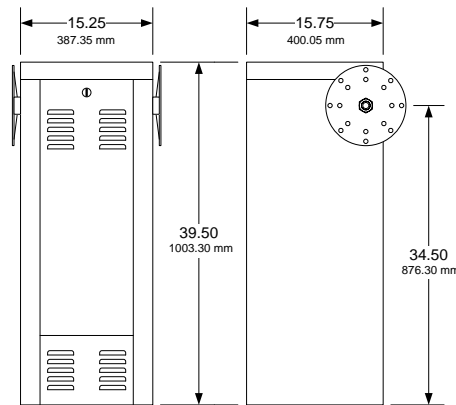
1. Requires 1601 operator, 1601-242 hardware kit, 1601-535 power harness and 1601-518 arm – not included in the lane barrier pricing. For passenger cars and light trucks only.

1602 Barrier Gate Operator

Magnetic Limits

1602

- Magnetic Limits
- Plug-in Loop Detector Ports
- Gate Tracker Data Output
- Up input memory buffer
- Down memory buffer
- Built-in power and operate switches
- Two convenience outlets
- Left or right hand mount
- Galvanized steel housing
- 90° in approximately 5.5 sec.



Model	Mount Options	Class of Operation ¹	Voltage ²	HP	Power Outlets	Cycles / Day	Loop Ports ³	Arm Type	Maximum Length	Fold Option	Breakaway Option	Lighted Option
1602	Left or Right	II, III, IV	115 208 230 460 575 VAC	1	2	Continuous	2	Aluminum	20 Ft. 6.09 m	No	No	Yes
									24 Ft. 7.31 m	No	No	Yes
									27 Ft. 8.23 m	No	No	Yes
								Wood	20 Ft. 6.09 m	No	No	No

1. II = Commercial; III = Limited Access; IV = Restricted Access.
2. High voltage kit (P/N 2600-266) required for 208 Volt and higher.
3. Plug-in loop detector ports; up loop and down loop. DoorKing plug-in loop detectors only.

1602 Barrier Gate Operator

Magnetic Limits

Choose an Operator

1602-090 1 HP.....	4678.00
1602-091 1 HP w/COO ¹	5620.00

1. Convenience Open Option provides a method to raise the arm when AC power has failed.

High Voltage

2600-266 High Voltage Kit	610.00
---------------------------------	--------

Allows the operator to be powered from 208, 230, 460 or 575 VAC source voltage.

Choose Entrapment Protection (required) Devices

Use Type B1 (non-contact) and/or Type B2 (contact) entrapment protection devices. See pages 40-41 for a complete list of all entrapment protection devices available.

Loops and Loop Detectors

Use Type B1 (non-contact) and/or Type B2 (contact) entrapment protection devices to protect all areas where the risk of entrapment exist - see pages 42-43.

Surge Suppression

1879-080 High Voltage (120 VAC).....	148.00
--------------------------------------	--------

Backup Power Inverters

1000-083 1000 Watt, Pure Sine Wave	2046.00
--	---------

Includes two (2) 35 AH SLA batteries and can power up to two ½ HP operators or one (1) 1 HP operator. This version is suitable to be used with all brands of gate operators. See page 44 for more information.

Accessories

1603-210 Traffic Signal & Mount Kit	1044.00
1601-092 Heater Kit ¹	258.00
1601-093 Fan Kit ²	258.00
1602-170 Manual Crank Kit.....	448.00

1. Use if temperature routinely falls below 10°F (-12°C).
 2. Use in hot, humid environments.

Aluminum Arms

1602-162 3-Piece, 20 Ft (6.09 m)	3432.00
1602-164 3-Piece, 24 Ft (7.31 m)	3588.00
1602-166 3-Piece, 27 Ft (8.23 m)	3692.00

Aluminum Arms – LED Lighted

1602-172 3-Piece, 20 Ft (6.09 m)	3764.00
1602-174 3-Piece, 24 Ft (7.31 m)	3988.00
1602-176 3-Piece, 27 Ft (8.23 m)	4142.00

Wood Arm

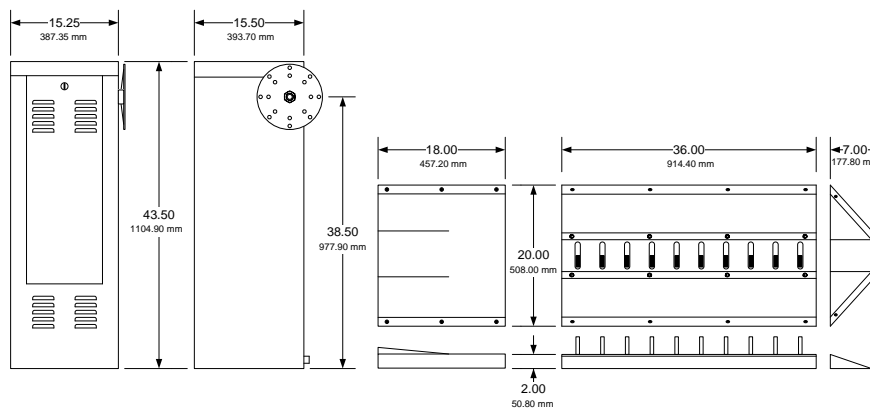
1602-340 3-Piece, 20 Ft (6.09 m)	528.00
1602-041 Hardware Kit - Required.....	964.00

1603 Barrier Gate / Auto-Spikes

Magnetic Limits

1603

- Magnetic Limits
- Plug-in Loop Detector Ports
- Gate Tracker Data Output
- Up input memory buffer
- Down memory buffer
- Built-in power and operate switches
- Two convenience outlets
- Left or right hand mount
- Galvanized steel housing
- 90° in approximately 1.5 sec.



Model	Mount Options	Class of Operation ¹	Voltage ²	HP	Power Outlets	Cycles / Day	Loop Ports ³	Arm Type	Maximum Length	Fold Option ⁴	Breakaway Option	Lighted Option
1603	Left or Right	II, III, IV	115 208 230 460 575 VAC	1/2	2	Continuous	2	Aluminum	14 Ft. 4.27 m	Yes	Yes	Yes
								Wood	14 Ft. 4.27 m	Yes	No	No
								Plastic	12 Ft. 3.66 m	Yes	No	No

1. II = Commercial; III = Limited Access; IV = Restricted Access.
2. High voltage kit (P/N 2600-266) required for 208 Volt and higher.
3. Plug-in loop detector ports; up loop and down loop. DoorKing plug-in loop detectors only.
4. Maximum arm length using the fold option is 12 Ft. (3.66 m).

1603 Barrier Gate / Auto-Spikes

Magnetic Limits

Choose an Operator

1603-180 1/2 HP	4530.00
1603-181 1/2 HP w/COO ¹	5468.00
<i>1. Convenience Open Option provides a method to raise the arm when AC power has failed.</i>	

High Voltage

2600-266 High Voltage Kit	610.00
<i>Allows the operator to be powered from 208, 230, 460 or 575 VAC source voltage.</i>	

Choose Entrapment Protection (required) Devices

Use Type B1 (non-contact) and/or Type B2 (contact) entrapment protection devices to protect all areas where the risk of entrapment exist - see pages 42-43.

Loops and Loop Detectors

See page 42 for a complete list of all loop detectors, prefabricated loops and loop accessories available.

Warning Sign - Required

1615-081 Auto-Spike Warning Sign.....	1110.00
<i>Illuminated warning sign MUST be used with the auto-spike system. Warning sign mounts on a 3.5 in (89 mm) post.</i>	

Traffic Signal - Recommended

1603-210	1044.00
----------------	---------

Surge Suppression

1879-080 High Voltage (120 VAC).....	148.00
--------------------------------------	--------

Backup Power Inverters

1000-083 1000 Watt, Pure Sine Wave	2046.00
<i>Includes two (2) 35 AH SLA batteries and can power up to two ½ HP operators or one (1) 1 HP operator. This version is suitable to be used with all brands of gate operators. See page 44 for more information.</i>	

Aluminum Arm – Standard

1601-242 Hardware Kit - Required	164.00
<i>Choose one arm from below</i>	
1601-516 Arm 14 Ft (4.27 m)	308.00
1601-524 Arm 14 Ft (4.27 m), 2-Piece ¹	374.00
1601-610 Arm Folding 12 Ft (3.66 m).....	506.00
<i>1. Ships in 7-ft (2.13 m) long box to reduce shipping cost.</i>	

Aluminum Arm – LED Lighted

1601-242 Hardware Kit - Required	164.00
1601-535 Power Harness – Required	156.00
<i>Choose one arm from below</i>	
1601-518 Arm 14 Ft (4.27 m) Lighted.....	552.00
1601-600 Arm Folding Lighted 12 Ft (3.66 m)	956.00

Spike Components

1603-168 Drive Ext 18 in (457 mm) - Required	1080.00
<i>Choose spike components from below</i>	
1603-165 Spike Section 3 Ft (0.91 m)	1926.00
1603-170 Tunnel Extension 18 in (457 mm).....	1080.00
1610-240 End Cap	424.00

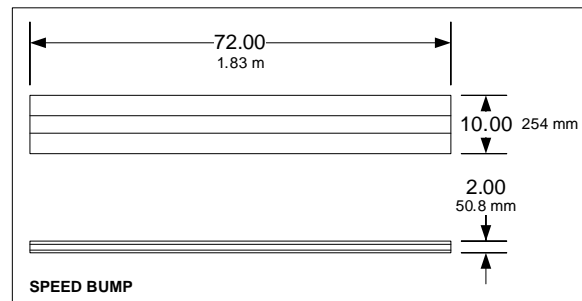
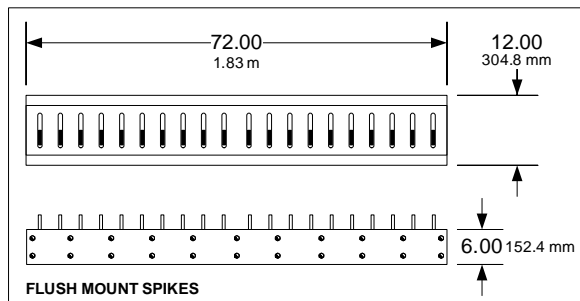
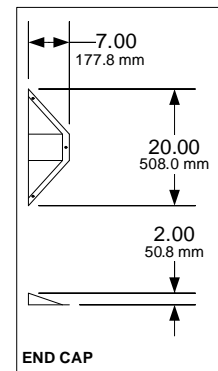
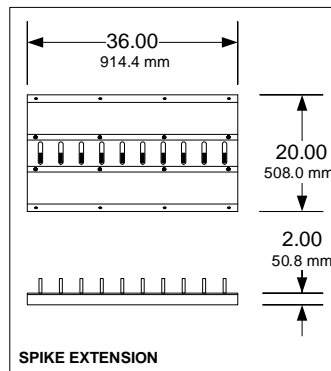
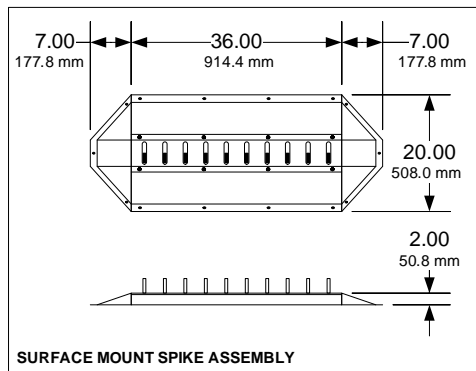
Accessories

1601-281 Arm Hub Cover ¹	90.88
1615-081 Warning Sign ²	1110.00
1603-210 Traffic Signal & Mount Kit	1044.00
1601-092 Heater Kit ³	258.00
1601-093 Fan Kit ⁴	258.00
1601-270 Manual Crank Kit.....	264.00

- 1. Arm hub cover is included with the 1603 operator. Shown here for replacement purposes only.*
- 2. Warning sign advises drivers that a one-way lane condition exist and must be installed with the auto-spike system.*
- 3. Use if temperature routinely falls below 10°F (-12°C).*
- 4. Use in hot, humid environments.*

Model 1610

Stand-Alone Traffic Control Spikes

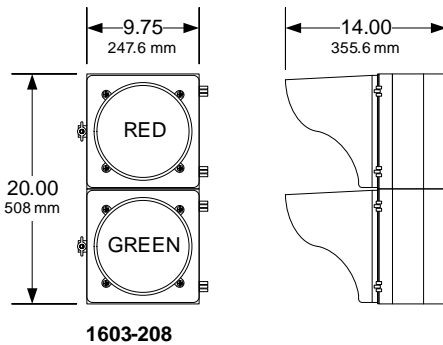
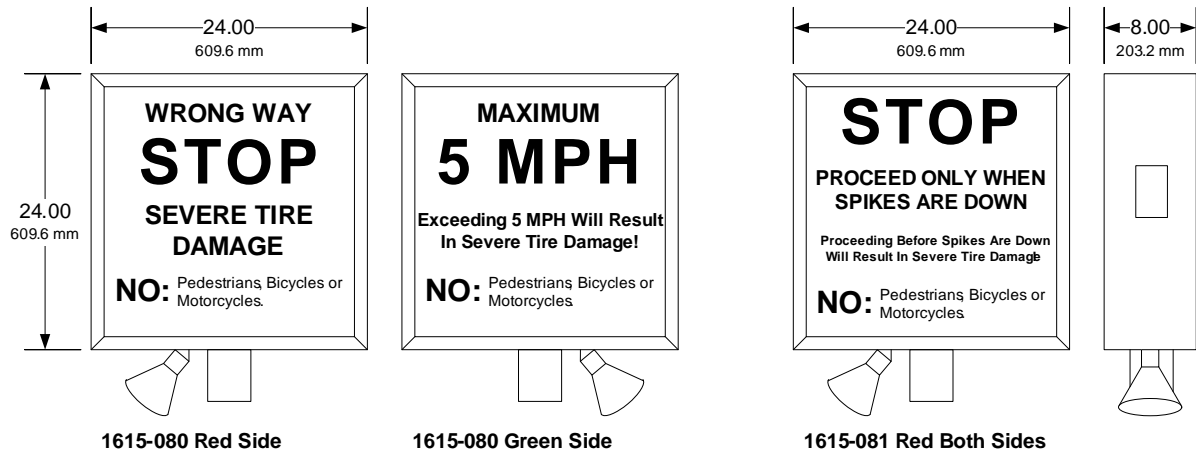


Surface Mount Spikes	
1610-088 Assembly	3098.00
1610-087 Extension	2180.00
1610-240 End Cap.....	424.00
1610-010 Lock Down Tool	162.00
<ul style="list-style-type: none"> Surface mount spikes use spring retraction and have a lock down feature (requires 1610-010). 1610-088 assembly includes one (1) 1610-087 and two (2) 1610-240. 	
Speed Bump	
1610-150 Speed Bump	372.00
Warning Sign - Required	
1615-080 Warning Sign	1110.00
<ul style="list-style-type: none"> Warning signs are mandatory when spike systems are installed. See next page for more options. 	

Flush Mount Spikes	
1610-080 Spring Retraction	1548.00
1610-090 Spring Retraction HD ¹	1834.00
1610-081 Weighted Retraction.....	1548.00
1610-091 Weighted Retraction HD ¹	1834.00
Flush Mount Spikes with Lock-Down Feature	
1610-082 Spring Retraction ²	1806.00
1610-092 Spring Retraction HD ^{1,2}	2092.00
1610-083 Weighted Retraction ³	1806.00
1610-093 Weighted Retraction HD ^{1,3}	2092.00
1. HD = Heavy-duty, ¼ in (6 mm) top plate. 2. Includes 1610-012 lock-down tool. 3. Includes 1610-013 lock-down tool	
Replacement Lock-Down Tools	
1610-012 Use with Spring Retraction spikes.....	80.26
1610-013 Use with Weighted Retraction spikes	132.00

Traffic Control

Warning Sign, Traffic Signal



Illuminated Warning Signs		Traffic Signal	
1615-080.....	1110.00	1603-208.....	888.00
1615-082 (Spanish).....	1110.00	1603-210 ¹	1044.00
<ul style="list-style-type: none"> Use these signs with surface and flush mount spike systems. Signs mount on a 3.5 in (89 mm) post. 		1. Same as 1603-208 with mounting post kit for the 1603 auto-spike system.	
Illuminated Auto-Spike Warning Sign		Replacement Components	
1615-081.....	1110.00	1603-550 LED Bulb, 10W, 1300 Lumens.....	26.20
<ul style="list-style-type: none"> Use this sign with the 1603 auto-spike system. Sign mounts on a 3.5 in (89 mm) post. 			
Replacement Components			
1615-022 LED T8 Tube, 12W, 700 Lumens.....	69.60		
1615-023 LED Flood Lamp, 9W, 655 Lumens.....	122.00		
1615-032 RED panel.....	138.00		
1615-034 GREEN panel.....	138.00		
1615-035 RED Auto-spike panel.....	138.00		

Overhead / Barrier Operator Parts & Replacement Items

Miscellaneous Parts & Accessories

Circuit Boards	
1601-010	608.00
Used in models 1601, 1602 and 1603	
4405-018	608.00
Used in model 1175	
1473-010	312.00
Convenience open circuit board	
1473-121 Convenience Open kit.....	332.00
Used in pre-2016 models 1150, 1601, 1602 and 1603	

Replacement Barrier Arms Yellow/Black Marking (These arms ARE NOT MUTCD compliant)	
1601-048 Wood Arm 14 Ft (4.27 m)	208.00
1601-084 Folding Wood Arm.....	392.00
1601-271 Plastic Arm 12 Ft (3.66 m).....	116.00
1601-083 Folding Plastic Arm	392.00
1601-216 Aluminum Arm 14 Ft (4.27 m)	274.00
1601-310 Folding Aluminum Arm.....	482.00
1602-040 3-Piece, 20 Ft (6.09 m) wood	430.00
1602-041 Hardware Kit for 1602-040	964.00

Spike System Replacement Components	
1610-031	11.46
Replacement spring for 1610-080 spike set	
1610-030	29.80
Replacement spike for 1610-080 spike set	
1610-035	29.80
Replacement spike for 1610-083 spike set	
1610-037	29.80
Spike spring lockdown assembly	
1610-045	28.90
Spike, weighted assembly	

Barrier Operator Replacement Parts	
1601-281	90.88
Barrier arm hub cover	
2599-101	20.32
Replacement Warning Sign	
1601-069.....	40.14
Wood arm mounting bracket	
1601-068.....	59.28
Plastic arm mounting bracket	
1601-202.....	74.26
Aluminum arm mounting bracket	
1601-079.....	138.00
Arm mounting hub	
1801-009.....	87.16
12 Volt, 3 AH replacement battery	

Warning Sign Replacement Components	
1615-032	138.00
Warning sign replacement panel – RED (use with 1610-080 warning sign)	
1615-034	138.00
Warning sign replacement panel – GREEN (use with 1610-080 warning sign)	
1615-035	138.00
Auto-spike warning sign replacement panel (use with 1610-081 warning sign)	
1615-038.....	138.00
Warning Sign panel – Entrapment Alert	
1615-022	69.60
T8 LED Tube Lamp, 12 Watt, 700 Lumens (warning sign replacement bulbs)	
1615-023	122.00
LED Flood Lamp, 9 Watt, 655 Lumens	
1603-550.....	26.20
LED Bulb 10W, 1300 Lumens (traffic signal replacement bulb)	

Blank Page

6005, 6003, 6004, 6400 Operators

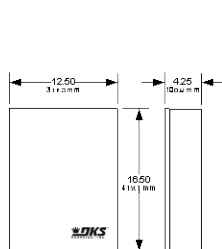
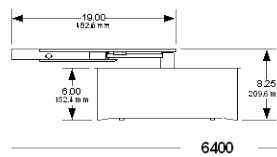
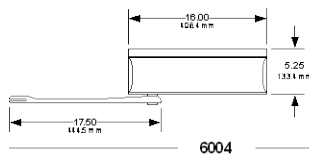
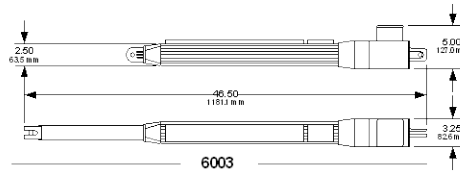
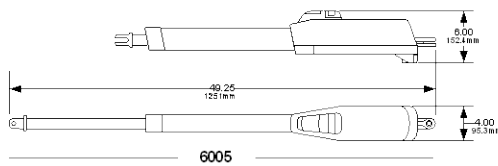
Residential

Operators

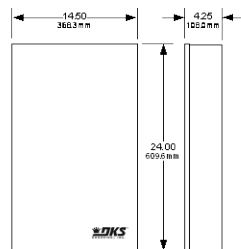
- 24 VDC continuous duty motor
- Built-in magnetic limit switches
- Slow-Start / Slow-Stop
- Small, compact designs

Control Box

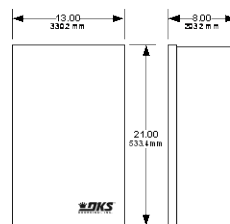
- 115 VAC or 24 VDC / Solar input power
- Includes batteries
- Single and Dual (bi-parting) gate operation
- 18 Ah or 35 Ah battery options



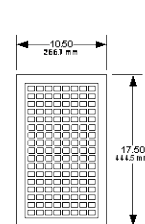
120 Volt AC
Standard Control Box



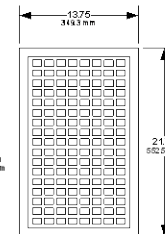
120 Volt AC
Deluxe Control Box



24 Volt DC
Solar Control Box



Solar Panel
24 VDC 10 W



Solar Panel
24 VDC 20 W

Model	Max Gate Weight ¹	Max Gate Length ¹	Max Cycles per Day ²	Maximum Cycles on Backup Power ²		
				3.5 Ah	18 Ah	35 Ah
6005	500 lbs. (227 kg)	14 ft. (4.26 m)	100	100	600	1200
6003	300 lbs. (136 kg)	10 ft. (3.05m)	100	100	600	1200
6004	500 lbs. (227 kg)	8 ft. (2.44 m)	100	100	600	1200
6400	300 lbs. (136 kg)	8 ft. (2.44 m)	100	100	600	1200

1. Assumes gate to be in good condition and swinging in a level plane.
2. Cycles shown are for single operators when solar panel(s) are not providing a charge to the batteries. Actual number of cycles will vary depending on usage, accessories connected, gate weight, operating condition of gate, temperature, geographic location, weather (cloud coverage) and charge state of the batteries.

6005, 6003, 6004, 6400 Operators

Residential

Actuators

6005-380.....	1422.00
6003-380.....	1034.00

Operators

6004-380 Column Mount.....	1548.00
6400-380 In-Ground.....	1720.00

Entrapment Protection (required)

Use Type B1 (non-contact) and/or Type B2 (contact) entrapment protection devices to protect all areas where the risk of entrapment exist - see pages 42-43.

Actuator/Operator will not run without entrapment protection device(s) connected to the controller board.

Loops and Loop Detectors

See page 42 for a complete list of all loop detectors, prefabricated loops and loop accessories available.

Flange Bearing Hinge

1200-009 3000 Lb. (1360 kg) Weight Capacity.....	144.00
--	--------

Includes mounting bracket and hardware, two required per gate (top, bottom), designed for use with 2" (50.8 mm) gate frame.

Sealed Bearing Hinge

1200-019 2000 Lb. (907 kg) Weight Capacity.....	144.00
1200-039 3000 Lb. (1360 kg) Weight Capacity.....	172.00

Includes mounting bracket and hardware, two required per gate (top, bottom), designed for use with round or square gate frames.

Torsion Rod Assembly

1203-084.....	332.00
2600-299 Additional Torsion Rods.....	116.00

Counter-balances uphill swing gates, includes top bracket, bottom bracket and one (1) torsion rod. Up to five (5) additional torsion rods can be added.

115 VAC Control Box

4302-111 Standard.....	790.00
4302-112 Deluxe	952.00

Both Include two (2) 3.5 Ah batteries
Deluxe control box includes three (3) 115 VAC convenient outlets

Solar Control Box

4302-113 (No batteries)	952.00
4302-114 (Two 18 Ah batteries).....	1364.00
4302-115 (Two 35 Ah batteries).....	1478.00

Solar Panels

2000-076 24-Volt, 20-Watt	688.00
---------------------------------	--------

Use with 35 Ah batteries

2000-077 24-Volt, 10-Watt	346.00
---------------------------------	--------

Use with 18 Ah batteries

2000-110 Solar Panel Mount Bracket.....	58.78
---	-------

Batteries

1801-009 12-volt, 3.5 Ah.....	87.16
1801-004 12-volt, 18 Ah.....	208.00
1801-005 12-volt, 35 Ah.....	264.00

Surge Suppression

1879-080 High Voltage (120 VAC)	148.00
---------------------------------------	--------

Bi-Parting (Dual) Gate Connection Cable

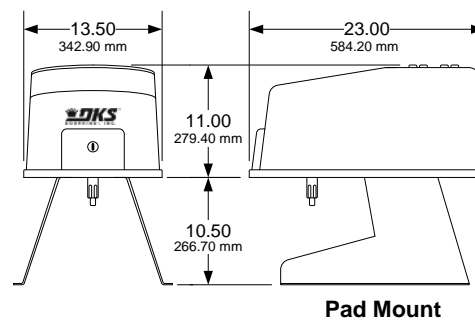
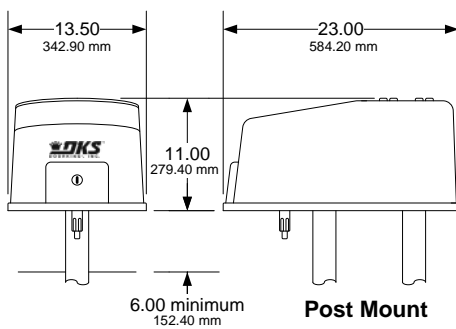
2600-755 30-Ft. (9.1 m).....	208.00
2600-756 40-Ft. (12.2 m).....	274.00
2600-757 50-Ft. (15.2 m).....	346.00
2600-754 500-Ft. (152.4 m).....	2752.00

6050 / 6100 Swing Gate Operators

Automatic Magnetic Limits

6050 / 6100

- Self-Adjusting Magnetic Limits
- Type A inherent reverse system
- Plug-in Loop Detector Ports
- Gate Tracker Data Output
- Built-in power and reset switches
- Tamper protect feature
- Polyurethane cover
- Galvanized steel frame
- Pad or Post mounted
- Opens gate 90° in approximately 12 sec.
- Magnetic lock output
- Overlap feature for bi-parting gates



Model	Maximum Gate Weight	Maximum Gate Length	Mount Options ¹	Class of Operation ²	Voltage	HP	Power Outlets	Maximum Cycles / Day	Loop Ports ⁴	Adjustable Clutch ⁵
6050	400 Lbs 181 KG	10 Ft 3.05 m	Pad / Post	I	115 VAC	1/2 ³	N/A	100	2	Yes
6100	500 Lbs 226 KG	14 Ft 4.26 m	Pad / Post	I, II	115 VAC	1/2	N/A	Continuous	2	Yes

1. Select pad or post mount hardware kit when ordering.
2. I = Residential; II = Commercial.
3. This is an intermittent duty cycle motor.
4. Plug-in loop detector ports; open and reverse. DoorKing plug-in loop detectors only.
5. Clutch is not applicable as an entrapment protection device.

6050 / 6100 Swing Gate Operators

Automatic Magnetic Limits

Step 1: Choose an Operator or Operator Set

6050-380 Primary	2432.00
6050-381 Secondary	1800.00
<i>Secondary operator includes 30 feet (9.1 m) of interconnection cable.</i>	

6100-380 Primary	2670.00
6100-381 Secondary	2042.00
<i>Secondary operator includes 40 feet (12.2 m) of interconnection cable.</i>	

Step 2: Choose a Mounting Kit (Includes Arms)

2600-671 Pad Mount Kit	528.00
2600-674 Post Mount Kit	436.00

Step 3: Choose Entrapment Protection (required) Devices

Use Type B1 (non-contact) and/or Type B2 (contact) entrapment protection devices to protect all areas where the risk of entrapment exist - see pages 42-43.

Operator will not run without entrapment protection device(s) connected to the controller board.

Loops and Loop Detectors

See page 42 for a complete list of all loop detectors, prefabricated loops and loop accessories available.

Post Mount Base Plate

2600-664	172.00
<i>Use to mount 6050 and 6100 operators onto an existing concrete pad.</i>	

Surge Suppression

1879-080 High Voltage (120 VAC)	148.00
---------------------------------------	--------

Heater Kit

1601-154 120 VAC	460.00
<i>Use if temperature routinely falls below 10°F (-12°C).</i>	

Backup Power Inverters

1000-083 1000 Watt, Pure Sine Wave	2046.00
<i>Includes two (2) 35 AH SLA batteries and can power up to two ½ HP operators or one (1) 1 HP operator. This version is suitable to be used with all brands of gate operators. See page 44 for more information.</i>	

Bi-Parting (Dual) Gate Interconnection Cable

2600-755 30-Ft. (9.1 m)	208.00
2600-756 40-Ft. (12.2 m)	274.00
2600-757 50-Ft. (15.2 m)	346.00
2600-754 500-Ft. (152.4 m)	2752.00

Flange Bearing Hinge

1200-009 3000 Lb. (1360 kg) Weight Capacity	144.00
<i>Includes mounting bracket and hardware, two required per gate (top, bottom), designed for use with 2" (50.8 mm) gate frame.</i>	

Sealed Bearing Hinge

1200-019 2000 Lb. (907 kg) Weight Capacity	144.00
1200-039 3000 Lb. (1360 kg) Weight Capacity	172.00
<i>Includes mounting bracket and hardware, two required per gate (top, bottom), designed for use with round or square gate frames.</i>	

Uphill Arm Pivot Assembly

6500-490	228.00
<i>Use with 1203-084 Torsion Rod Assembly.</i>	

Torsion Rod Assembly

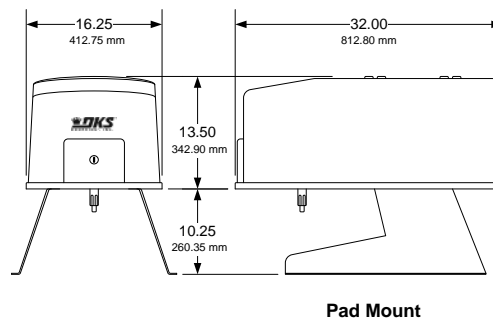
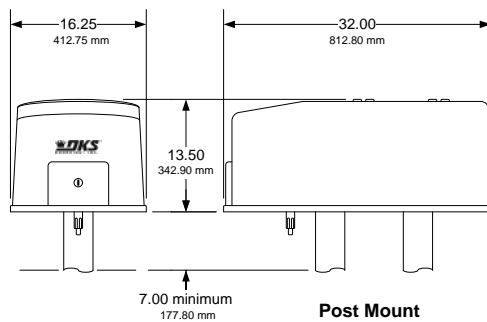
1203-084	332.00
2600-299 Additional Torsion Rods	116.00
<i>Counter-balances uphill swing gates, includes top bracket, bottom bracket and one (1) torsion rod. Up to five (5) additional torsion rods can be added.</i>	

6300 Swing Gate Operators

Automatic Magnetic Limits

6300

- Self-Adjusting Magnetic Limits
- Type A inherent reverse system
- Plug-in Loop Detector Ports
- Gate Tracker Data Output
- Built-in power and reset switches
- Tamper protect feature
- Polyurethane cover
- Galvanized steel frame
- Pad or Post mounted
- Opens gate 90° in approximately 16 sec.
- Magnetic lock output
- Overlap feature for bi-parting gates



Model	Maximum Gate Weight	Maximum Gate Length	Mount Options ¹	Class of Operation ²	Voltage ³	HP	Power Outlets	Maximum Cycles / Day	Loop Ports ³	Adjustable Clutch ⁴
6300	700 Lbs 317 KG	18 Ft 5.48 m	Pad / Post	I, II, III, IV	115 208 230 460 575 VAC	1/2	2	Continuous	2	Yes
6300	800 Lbs 362 KG	22 Ft 6.70 m	Pad / Post	I, II, III, IV	115 208 230 460 575 VAC	1	2	Continuous	2	Yes

1. Select pad or post mount hardware kit when ordering.
2. I = Residential; II = Commercial; III = Limited Access; IV = Restricted Access
3. High voltage kit (P/N 2600-266) required for 208 Volt and higher.
4. Plug-in loop detector ports; open and reverse. DoorKing plug-in loop detectors only.
5. Clutch is not applicable as an entrapment protection device.

6300 Swing Gate Operators

Automatic Magnetic Limits

Step 1: Choose an Operator or Operator Set

6300-380 Primary ½ HP.....	2980.00
6300-381 Secondary ½ HP	2408.00
6300-384 Primary 1 HP	3588.00
6300-385 Secondary 1 HP	2960.00
<i>Secondary operators includes 50 feet (15.2 m) of interconnection cable.</i>	

High Voltage Kit

2600-266.....	610.00
<i>Allows the operator to be powered from 208, 230, 460 or 575 VAC source voltage. In dual gate applications, only one (1) kit is required.</i>	

Step 2: Choose a Mounting Kit (Includes Arms)

2600-264 Pad Mount Kit	678.00
2600-263 Post Mount Kit	678.00

Step 3: Choose Entrapment Protection (required) Devices

Use Type B1 (non-contact) and/or Type B2 (contact) entrapment protection devices to protect all areas where the risk of entrapment exist - see pages 42-43.

Operator will not run without entrapment protection device(s) connected to the controller board.

Loops and Loop Detectors

See page 42 for a complete list of all loop detectors, prefabricated loops and loop accessories available.

Surge Suppression

1879-080 High Voltage (120 VAC).....	148.00
--------------------------------------	--------

Heater Kit

1601-154 120 VAC.....	460.00
1601-197 208 / 230 VAC	964.00
1601-198 460 VAC.....	964.00
<i>Use if temperature routinely falls below 10°F (-12°C).</i>	

Backup Power Inverters

1000-083 1000 Watt, Pure Sine Wave	2046.00
<i>Includes two (2) 35 AH SLA batteries and can power up to two ½ HP operators or one (1) 1 HP operator. This version is suitable to be used with all brands of gate operators. See page 44 for more information.</i>	

Bi-Parting (Dual) Gate Interconnection Cable

2600-755 30-Ft. (9.1 m).....	208.00
2600-756 40-Ft. (12.2 m).....	274.00
2600-757 50-Ft. (15.2 m).....	346.00
2600-754 500-Ft. (152.4 m).....	2752.00

Flange Bearing Hinge

1200-009 3000 Lb. (1360 kg) Weight Capacity	144.00
<i>Includes mounting bracket and hardware, two required per gate (top, bottom), designed for use with 2" (50.8 mm) gate frame.</i>	

Sealed Bearing Hinge

1200-019 2000 Lb. (907 kg) Weight Capacity	144.00
1200-039 3000 Lb. (1360 kg) Weight Capacity	172.00
<i>Includes mounting bracket and hardware, two required per gate (top, bottom), designed for use with round or square gate frames.</i>	

Uphill Arm Pivot Assembly

6500-490	228.00
<i>Use with 1203-084 Torsion Rod Assembly.</i>	

Torsion Rod Assembly

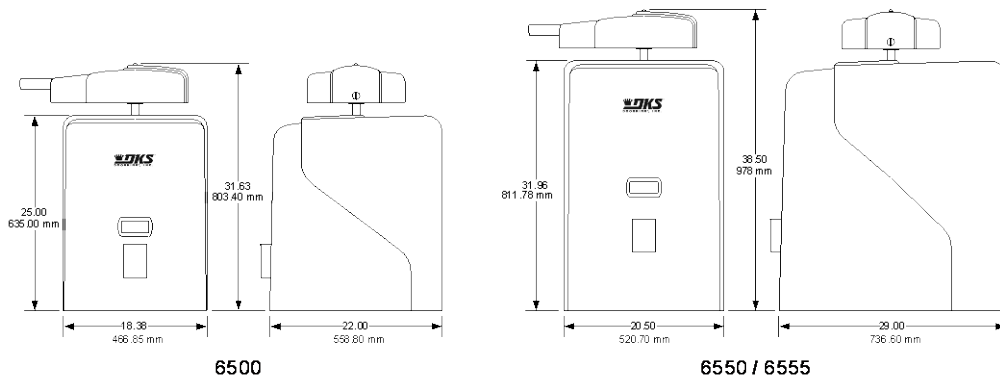
1203-084	332.00
2600-299 Additional Torsion Rods	116.00
<i>Counter-balances uphill swing gates, includes top bracket, bottom bracket and one (1) torsion rod. Up to five (5) additional torsion rods can be added.</i>	

6500 / 6550⁵ / 6555⁵ Swing Gate Operators

Adjustable Limit Swing Gate Operators

6500 / 6550⁵ / 6555⁵

- Adjustable Magnetic Limits
- Type A inherent reverse system
- Plug-in Loop Detector Ports
- Gate Tracker Data Output
- Built-in power and reset switches
- Polyurethane cover
- Galvanized steel frame
- Opens gate 90° in approximately 16 sec.
- Magnetic lock output
- Overlap feature for bi-parting gates



Model	Maximum Gate Weight	Maximum Gate Length	Mount	Class of Operation ¹	Voltage ²	HP	Power Outlets	Maximum Cycles / Day	Loop Ports ²	Adjustable Clutch
6500	700 Lbs 317 KG	18 Ft 5.48 m	Pad	I, II, III, IV	115 208 230 460 575 VAC	1/2	2	Continuous	2	No
6500	800 Lbs 362 KG	22 Ft 6.70 m	Pad	I, II, III, IV	115 208 230 460 575 VAC	1	2	Continuous	2	No
6550 ⁵	2000 Lbs 907 KG	25 Ft 7.62 m	Pad	II, III, IV	115 208 230 460 575 VAC	1	2	Continuous	2	No
6555 ^{4,5}	2000 Lbs 907 KG	25 Ft 7.62 m	Pad	II, III, IV	230 VAC	1	2	Continuous	2	No

1. I = Residential; II = Commercial; III = Limited Access; IV = Restricted Access
2. High voltage kit (P/N 2600-266) required for 208 Volt and higher.
3. Plug-in loop detector ports; open and reverse. DoorKing plug-in loop detectors only.
4. This operator has a variable speed drive.
5. Models 6550 and 6555 are not listed to the UL 325 standard at this time.

6500 / 6550 / 6555 Swing Gate Operators

Adjustable Limit Swing Gate Operators

Step 1: Choose an Operator or Operator Set

6500-380 Primary ½ HP.....	3740.00
6500-381 Secondary ½ HP	3098.00
<i>Secondary operator includes 50 feet (15.2 m) of interconnection cable.</i>	
6500-384 Primary 1 HP	4276.00
6500-385 Secondary 1 HP	3740.00
<i>Secondary operator includes 50 feet (15.2 m) of interconnection cable.</i>	
6550-380 Primary 1 HP	4932.00
6550-384 Secondary 1 HP	4322.00
<i>Secondary operator includes 50 feet (15.2 m) of interconnection cable.</i>	
6555-381 Primary 1 HP 230 VAC Variable Speed	8410.00

High Voltage Kit

2600-266.....	610.00
<i>Allows the operator to be powered from 208, 230, 460 or 575 VAC source voltage. In dual gate applications, only one (1) kit is required. Not available on 6555-081 operator.</i>	

Step 2: Choose Entrapment Protection (required) Devices

Use Type B1 (non-contact) and/or Type B2 (contact) entrapment protection devices to protect all areas where the risk of entrapment exist - see pages 42-43.

Operator will not run without entrapment protection device(s) connected to the controller board.

Loops and Loop Detectors

See page 42 for a complete list of all loop detectors, prefabricated loops and loop accessories available.

Surge Suppression

1879-080 High Voltage (120 VAC).....	148.00
--------------------------------------	--------

Heater Kit

1601-154 120 VAC	460.00
1601-197 208 / 230 VAC	964.00
1601-198 460 VAC	964.00
<i>Use if temperature routinely falls below 10°F (-12°C).</i>	

Backup Power Inverters

1000-083 1000 Watt, Pure Sine Wave	2046.00
<i>Includes two (2) 35 AH SLA batteries and can power up to two ½ HP operators or one (1) 1 HP operator. This version is suitable to be used with all brands of gate operators. See page 44 for more information.</i>	

Bi-Parting (Dual) Gate Interconnection Cable

2600-755 30-Ft. (9.1 m).....	208.00
2600-756 40-Ft. (12.2 m).....	274.00
2600-757 50-Ft. (15.2 m).....	346.00
2600-754 500-Ft. (152.4 m).....	2752.00

Flange Bearing Hinge

1200-009 3000 Lb. (1360 kg) Weight Capacity	144.00
<i>Includes mounting bracket and hardware, two required per gate (top, bottom), designed for use with 2" (50.8 mm) gate frame.</i>	

Sealed Bearing Hinge

1200-019 2000 Lb. (907 kg) Weight Capacity	144.00
1200-039 3000 Lb. (1360 kg) Weight Capacity	172.00
<i>Includes mounting bracket and hardware, two required per gate (top, bottom), designed for use with round or square gate frames.</i>	

Uphill Arm Pivot Assembly

6500-490	228.00
<i>Use with 6500 operator and 1203-084 Torsion Rod Assembly.</i>	
6550-490	228.00
<i>Use with 6550 operator and 1203-084 Torsion Rod Assembly.</i>	

Torsion Rod Assembly

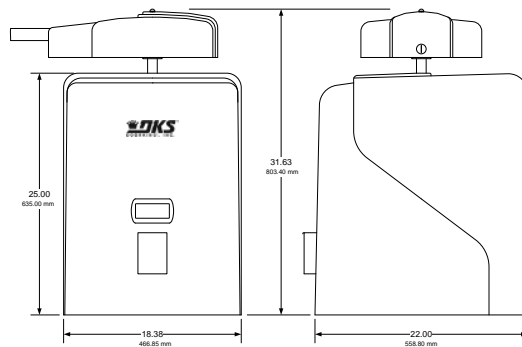
1203-084	332.00
2600-299 Additional Torsion Rods	116.00
<i>Counter-balances uphill swing gates, includes top bracket, bottom bracket and one (1) torsion rod. Up to five (5) additional torsion rods can be added.</i>	

6524 DC Swing Gate Operator

Adjustable Limit Swing Gate Operator

6524

- Input 115/230 VAC or 24 VDC (Solar)
- Adjustable Magnetic Limits
- Plug-in Loop Detector Ports
- Gate Tracker Data Output
- Built-in power and reset switches
- Built-in Battery Backup
- Galvanized steel frame
- Opens gate 90° in approximately 16 sec.
- Magnetic lock output
- Overlap feature for bi-parting gates



Model	Maximum Gate Weight	Maximum Gate Length	Mount	Class of Operation ¹	Voltage	HP	Power Outlets	Maximum Cycles / Day	Loop Ports ²	Adjustable Clutch
6524	800 Lbs 362 KG	16 Ft 4.88 m	Pad	I, II, III, IV	115/230 VAC	1/2	2	Continuous ^{3,4}	2	No
6524	800 Lbs 362 KG	16 Ft 4.88 m	Pad	I, II, III, IV	24 VDC (Solar)	1/2	0	Up to 150 ⁴	2	No

1. I = Residential; II = Commercial; III = Limited Access; IV = Restricted Access
2. Plug-in loop detector ports; open and reverse. DoorKing plug-in loop detectors only.
3. Continuous operation is when AC power is present. Operation on battery backup (7.5 Ah batteries) is limited to approximately 40 cycles.
4. Up to 150 cycles with 18 Ah batteries. Actual number of cycles will vary depending on usage, accessories connected, gate weight, operating condition of gate, temperature and charge state of the batteries. Charge state of batteries is affected by geographical location of the product when using solar to recharge the batteries.

6524 DC Swing Gate Operators

Adjustable Limit Swing Gate Operator

Step 1: Choose an Operator

6524-380 115/230 VAC 3340.00
Includes two 7.5 Ah batteries for limited backup operation. Order 18 Ah batteries to extend the backup operation cycles.

6524-381 24 VDC (Solar) 3140.00
24 VDC solar input power only (supply your own batteries and solar charging system or use DKS solar kit).

Step 2: Choose Entrapment Protection (required) Devices

Use Type B1 (non-contact) and/or Type B2 (contact) entrapment protection devices to protect all areas where the risk of entrapment exist - see pages 42-43.

Operator will not run without entrapment protection device(s) connected to the controller board.

Battery / Solar Options

1801-004 12-Volt, 18 Ah Battery¹ 208.00
 2000-077 24-Volt, 10 Watt Solar Panel 346.00
 2000-070 Solar Kit² 810.00
 1. Two required for 24 Volt operation.
 2. Kit includes two (2) 18 Ah batteries, 10 Watt solar panel and bracket.

Loops and Loop Detectors

See page 42 for a complete list of all loop detectors, prefabricated loops and loop accessories available.

Surge Suppression

1879-080 High Voltage (120 VAC) 148.00

Heater Kit

6500-480 120 VAC 528.00
 1601-197 208 / 230 VAC 964.00
Use if temperature routinely falls below 10°F (-12°C). Cannot be used with solar powered operators.

Backup Power Inverters

1000-083 1000 Watt, Pure Sine Wave 2046.00
Includes two (2) 35 AH SLA batteries and can power up to two ½ HP operators or one (1) 1 HP operator. This version is suitable to be used with all brands of gate operators. See page 44 for more information.

Bi-Parting (Dual) Gate Interconnection Cable RS 485

9024-136 50-Ft. (15 m) 40.00
 9024-137 984-Ft. (300 m) 630.00

Flange Bearing Hinge

1200-009 3000 Lb. (1360 kg) Weight Capacity 144.00
Includes mounting bracket and hardware, two required per gate (top, bottom), designed for use with 2" (50.8 mm) gate frame.

Sealed Bearing Hinge

1200-019 2000 Lb. (907 kg) Weight Capacity 144.00
 1200-039 3000 Lb. (1360 kg) Weight Capacity 172.00
Includes mounting bracket and hardware, two required per gate (top, bottom), designed for use with round or square gate frames.

Uphill Arm Pivot Assembly

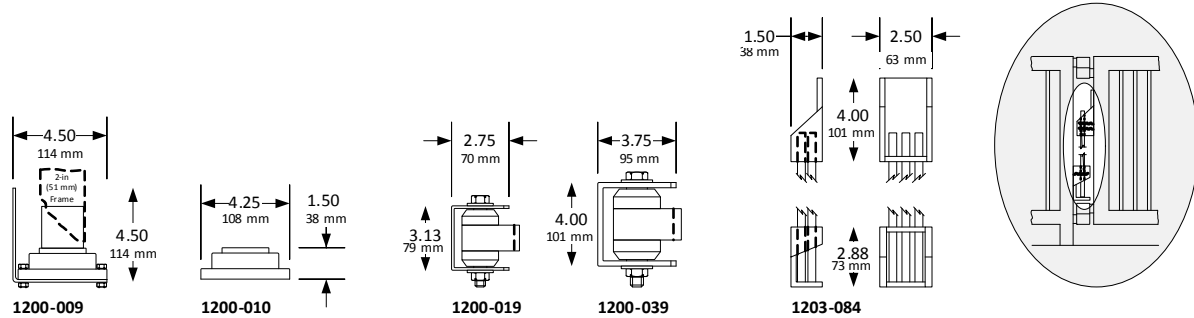
6500-490 228.00
Use with 6500 operator and 1203-084 Torsion Rod Assembly.

Torsion Rod Assembly

1203-084 332.00
 2600-299 Additional Torsion Rods 116.00
Counter-balances uphill swing gates, includes top bracket, bottom bracket and one (1) torsion rod. Up to five (5) additional torsion rods can be added.

Swing Gate Accessories

Hinges, Torsion Rod Counter-Balance



Flange Bearing Hinge

1200-009 3000 Lb. (1360 Kg) weight capacity138.00
 1200-010 Replacement bearing.....87.38

- Designed for use with 2 inch (51 mm) gate frame.
- Includes mounting bracket and hardware.
- Zert grease fitting.
- Two required (top, bottom) per gate.

Sealed Bearing Hinge

1200-019 2000 Lb. (907 Kg) weight capacity144.00
 1200-039 3000 Lb. (1360 Kg) weight capacity172.00

- Designed for use with round or square gate frame.
- Includes mounting bracket and hardware.
- Two required (top, bottom) per gate.

Torsion Rod Counter-Balance Assembly

1203-084¹ Torsion Rod Assembly332.00
 2600-299² Torsion Rods.....116.00

1. Includes one (1) 2600-299 torsion rod.
2. Up to five (5) additional rods can be added to the 1203-084 assembly.

Swing Gate Operator Parts & Accessories

Miscellaneous Parts & Accessories

Circuit Boards	
4100-018	516.00
Used in model 6524	
4302-018	574.00
Used in models 6005, 6003, 6004 and 6400	
4405-018	608.00
Used in model 6500, 6550	
4502-018	608.00
Used in models 6050, 6100 and 6300	

Base Plate, Mounting Pipes, Pivot Arm	
2600-664 Concrete Base Plate	172.00
Use to mount the 6050 or 6100 post mount operators onto an existing concrete pad	
6500-490 Uphill Arm Pivot Assembly	228.00
Use with 6050, 6100, 6300 and 6500 operators when the gate opens on an uphill or downhill slope. Should be used with 1203-084 Torsion Rod Assembly.	
6550-490 Uphill Arm Pivot Assembly	228.00
Use with 6550 operator when the gate opens on an uphill or downhill slope. Should be used with 1203-084 Torsion Rod Assembly.	
Bi-Parting Connection Cable	
2600-754 Primary / Secondary Cable	2752.00
500-ft (152.4 m) roll	

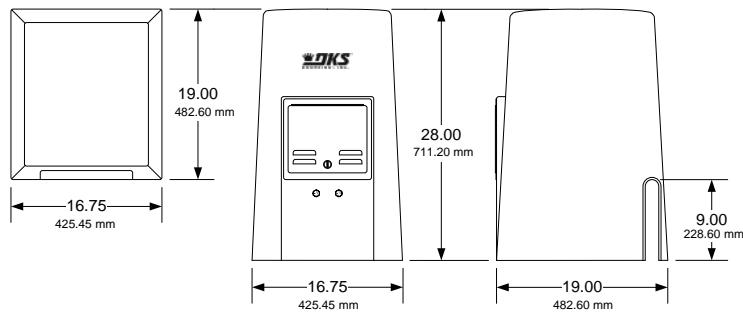
Batteries	
1801-009 Battery	87.16
12 Volt, 3.5 Amp Hour	
1801-004 Battery	208.00
12 Volt, 18 Amp Hour	
1801-005 Battery	264.00
12 Volt, 35 Amp Hour	

9000 Slide Gate Operators

Adjustable Limit Slide Gate Operator

9000

- Adjustable Limits
- Plug-in Loop Detector Ports
- Built-in power and reset switches
- Two 115 VAC convenience outlets
- Partial open / anti-tailgate feature
- 30:1 Gear Reducer Drive Train
- Steel frame
- Polyurethane cover
- 20-Foot (6 m) #40 Chain
- Gate tracker data output
- Selectable stop/ reverse function



Model	Maximum Gate Weight	Maximum Gate Length	Mount	Class of Operation ¹	Voltage ²	HP	Power Outlets	Maximum Cycles / Day	Loop Ports ²	Adjustable Clutch
9000	1000 Lbs 453 KG	35 Ft 10.7 m	Pad or Post ⁴	I, II	115 208 230 460 575 VAC	1/2	2	Continuous	2	No
9000	1500 Lbs 680 KG	35 Ft 10.7 m	Pad or Post ³	I, II, III, IV	115 208 230 460 575 VAC	1	2	Continuous	2	No

1. I = Residential; II = Commercial; III = Limited Access; IV = Restricted Access.
2. High voltage kit (P/N 2600-266) required for 208 Volt and higher.
3. Plug-in loop detector ports; open and reverse. DoorKing plug-in loop detectors only.
3. Requires post mounting kit.

9000 Slide Gate Operators

Choose an Operator

9000-380 ½ HP Primary 115 VAC	3258.00
9000-381 ½ HP Secondary 115 VAC	2684.00
9000-385 1 HP Primary 115 VAC	4060.00
9000-386 1 HP Secondary 115 VAC	3372.00

High Voltage

2600-266 High Voltage Kit	610.00
---------------------------------	--------

Allows the operator to be powered from 208, 230, 460 or 575 VAC source voltage.

Choose Entrapment Protection (required) Devices

Use Type B1 (non-contact) and/or Type B2 (contact) entrapment protection devices to protect all areas where the risk of entrapment exist - see pages 42-43.

Operator will not run without entrapment protection device(s) connected to the controller board.

Loops and Loop Detectors

See page 42 for a complete list of all loop detectors, prefabricated loops and loop accessories available.

Surge Suppression

1879-080 High Voltage (120 VAC)	148.00
---------------------------------------	--------

Accessories

9000-015 Post Mount Kit ¹	630.00
2600-961 Chain Link Fence Gate Bracket	77.98
1601-154 Heater Kit 120 VAC ²	460.00
1601-197 Heater Kit 208/230 VAC ²	964.00
1601-198 Heater Kit 480 VAC ²	964.00

1. Includes base plate, mounting posts and hardware.
2. Use if temperature routinely falls below 10°F (-12°C).

Chain

2600-442 #40 Chain, 20-Ft (6 m)	148.00
---------------------------------------	--------

Adjustable Limit Slide Gate Operator

Backup Power Inverters

1000-083 1000 Watt, Pure Sine Wave	2046.00
--	---------

Includes two (2) 35 AH SLA batteries and can power up to two ½ HP operators or one (1) 1 HP operator. This version is suitable to be used with all brands of gate operators. See page 44 for more information.

Bi-Parting (Dual) Gate Interconnection Cable

2600-755 30-Ft. (9.1 m)	208.00
2600-756 40-Ft. (12.2 m)	274.00
2600-757 50-Ft. (15.2 m)	346.00
2600-754 500-Ft. (152.4 m)	2752.00

Guarded Guide Rollers & Bracket Assembly

1204-120 Single 3-in (76.2 mm)	74.54
1204-122 Dual 3-in (76.2 mm)	132.00
1204-121 Single 6-in (152.4 mm)	91.72
1204-123 Dual 6-in (152.4 mm)	162.00
1204-005 Replacement Roller 3-in (76.2 mm)	17.20

See page 37 for more information.

V-Wheels - Max Gate Weight

1201-102 UHMW 4-in (101.6 mm) 500 lb. (227 kg)	75.68
1201-105 UHMW 4-in (101.6 mm) 750 lb. (340 kg)	103.18
1201-117 Steel 4-in (101.6 mm) 1500 lb. (680 kg)	138.00

See page 36 for more information.

V-Wheels Tandem – Max Gate Weight

1201-012 UHMW 4-in (101.6 mm) 1500 lb. (680 kg)	194.00
1201-010 Steel 4-in (101.6 mm) 3000 lb. (1360 kg)	346.00
1201-210 Steel 6-in (152.4 mm) 5000 lb. (2268 kg)	506.00

See page 36 for more information.

Chain Idler Assembly

2600-818	97.46
----------------	-------

Use with rear-mounted operators.

End Catch

1204-004	57.32
----------------	-------

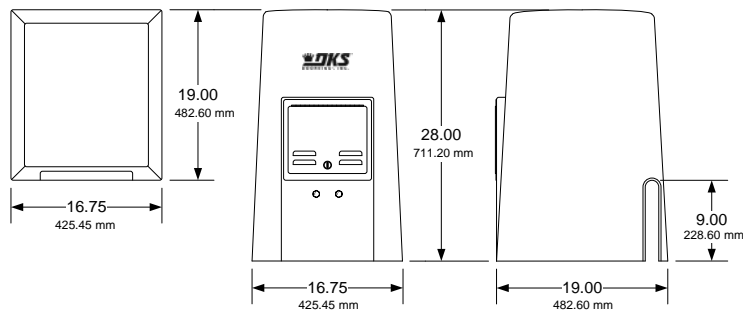
Designed for gates with 2-inch (50.8 mm) frame.

9024 DC Slide Gate Operator

Adjustable Limit Slide Gate Operator

9024

- Input 115/230 VAC or 24 VDC (Solar)
- Adjustable Limits
- Plug-in Loop Detector Ports
- Gate Tracker Data Output
- Built-in power and reset switches
- 20-Foot (6 m) #40 Chain
- 30:1 Gear Reducer Drive Train
- Built-in Battery Backup
- Galvanized steel frame
- Opens gate 90° in approximately 16 sec.
- Magnetic lock output
- Overlap feature for bi-parting gates



Model	Maximum Gate Weight	Maximum Gate Length	Mount	Class of Operation ¹	Voltage	HP	Power Outlets	Maximum Cycles / Day	Loop Ports ²	Adjustable Clutch
9024	1000 Lbs 453 KG	40 Ft 12.2 m	Pad or Post ⁵	I, II, III, IV	115/230 VAC	1/2	2	Continuous ^{3,4}	2	No
9024	1000 Lbs 453 KG	40 Ft 12.2 m	Pad or Post ⁵	I, II, III, IV	24 VDC (Solar)	1/2	0	Up to 150 ⁴	2	No

1. I = Residential; II = Commercial; III = Limited Access; IV = Restricted Access
2. Plug-in loop detector ports; open and reverse. DoorKing plug-in loop detectors only.
3. Continuous operation is when AC power is present. Operation on battery backup (7.5 Ah batteries) is limited to approximately 40 cycles.
4. Up to 150 cycles with 18 Ah batteries. Actual number of cycles will vary depending on usage, accessories connected, gate weight, operating condition of gate, temperature and charge state of the batteries. Charge state of batteries is affected by geographical location of the product when using solar to recharge the batteries.
5. Requires post mounting kit.

9024 DC Slide Gate Operator

Adjustable Limit Slide Gate Operator

Choose an Operator

9024-380 115/230 VAC 2920.00
Includes two 7.5 Ah batteries for limited backup operation. Order 18 Ah batteries to extend the backup operation cycles.

9024-381 24 VDC (Solar) 2720.00
24 VDC solar input power only (supply your own batteries and solar charging system or use DKS solar kit).

Choose Entrapment Protection (required) Devices

Use Type B1 (non-contact) and/or Type B2 (contact) entrapment protection devices to protect all areas where the risk of entrapment exist - see pages 42-43.

Operator will not run without entrapment protection device(s) connected to the controller board.

Battery / Solar Options

1801-004 12-Volt, 18 Ah Battery¹ 208.00
 2000-077 24-Volt, 10 Watt Solar Panel 346.00
 2000-070 Solar Kit² 810.00

1. Two required for 24 Volt operation.
2. Kit includes two (2) 18 Ah batteries, 10 Watt solar panel and bracket.

Loops and Loop Detectors

See page 42 for a complete list of all loop detectors, prefabricated loops and loop accessories available.

Surge Suppression

1879-080 High Voltage (120 VAC) 148.00

Accessories

9000-015 Post Mount Kit¹ 630.00
 2600-961 Chain Link Fence Gate Bracket 77.98
 1601-154 Heater Kit 120 VAC² 460.00
 1601-197 Heater Kit 208/230 VAC² 964.00
 1601-198 Heater Kit 480 VAC² 964.00

1. Includes base plate, mounting posts and hardware.
2. Use if temperature routinely falls below 10°F (-12°C).

Chain

2600-442 #40 Chain, 20-Ft (6 m) 148.00

Backup Power Inverters

1000-083 1000 Watt, Pure Sine Wave 2046.00
Includes two (2) 35 AH SLA batteries and can power up to two ½ HP operators or one (1) 1 HP operator. This version is suitable to be used with all brands of gate operators. See page 44 for more information.

Bi-Parting (Dual) Gate Interconnection Cable RS 485

9024-136 50-Ft. (15 m) 40.00
 9024-137 984-Ft. (300 m) 630.00

Guarded Guide Rollers & Bracket Assembly

1204-120 Single 3-in (76.2 mm) 74.54
 1204-122 Dual 3-in (76.2 mm) 132.00
 1204-121 Single 6-in (152.4 mm) 91.72
 1204-123 Dual 6-in (152.4 mm) 162.00
 1204-005 Replacement Roller 3-in (76.2 mm) 17.20

See page 37 for more information.

V-Wheels - Max Gate Weight

1201-102 UHMW 4-in (101.6 mm) 500 lb. (227 kg) 75.68
 1201-105 UHMW 4-in (101.6 mm) 750 lb. (340 kg) 103.18
 1201-117 Steel 4-in (101.6 mm) 1500 lb. (680 kg) 138.00

See page 36 for more information.

V-Wheels Tandem – Max Gate Weight

1201-012 UHMW 4-in (101.6 mm) 1500 lb. (680 kg) 194.00
 1201-010 Steel 4-in (101.6 mm) 3000 lb. (1360 kg) 346.00
 1201-210 Steel 6-in (152.4 mm) 5000 lb. (2268 kg) 506.00

See page 36 for more information.

Chain Idler Assembly

2600-818 97.46
Use with rear-mounted operators.

End Catch

1204-004 57.32
Designed for gates with 2-inch (50.8 mm) frame.

9050 / 9100 Slide Gate Operators

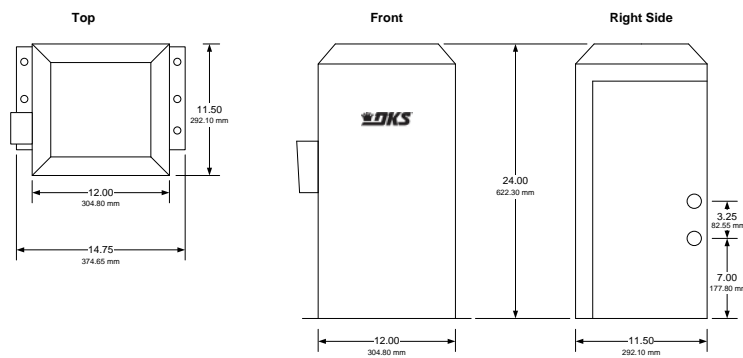
Automatic Magnetic Limits

9050 / 9100

- Self-Adjusting Magnetic Limits
- Built-in clutch
- Plug-in Loop Detector Ports
- Built-in power and reset switches
- Two 115 VAC convenience outlets
- Fail-Safe Configuration

9100

- G90 Galvanized steel frame
- Steel cover
- 20-Feet (6 m) #40 Chain
- Gate tracker data output (9100 only)
- Selectable stop/ reverse function (9100 only)
- Partial open / anti-tailgate feature (9100 only)



Model	Maximum Gate Weight	Maximum Gate Length	Mount	Class of Operation ¹	Voltage	HP	Power Outlets	Maximum Cycles / Day	Loop Ports ²	Adjustable Clutch ³
9050	500 Lbs 227 KG	16 Ft 4.88 m	Pad or Post ⁴	I	115 VAC	1/2 ⁵	2	100	2	Yes
9100	1000 Lbs 453 KG	30 Ft 9.14 m	Pad or Post ⁴	I, II, III, IV	115 VAC	1/2	2	Continuous	2	Yes

1. I = Residential; II = Commercial; III = Limited Access; IV = Restricted Access
2. Plug-in loop detector ports; open and reverse. DoorKing plug-in loop detectors only.
3. Clutch is not applicable as an entrapment protection device.
4. Requires post mount steel base plate.
5. This is an intermittent duty cycle motor.

9050 / 9100 Slide Gate Operators

Automatic Magnetic Limits

Choose an Operator

9050-380 ½ HP	1890.00
9100-380 ½ HP	2752.00

Choose Entrapment Protection (required) Devices

Use Type B1 (non-contact) and/or Type B2 (contact) entrapment protection devices to protect all areas where the risk of entrapment exist - see pages 42-43.

Operator will not run without entrapment protection device(s) connected to the controller board.

Loops and Loop Detectors

See page 42 for a complete list of all loop detectors, prefabricated loops and loop accessories available.

Surge Suppression

1879-080 High Voltage (120 VAC)	148.00
---------------------------------------	--------

Accessories

2600-418 Steel Base Plate	86.00
2600-970 Base Plate Stop Bracket ¹	57.32
2600-862 Fail-Secure Lock Kit ²	29.80
2600-961 Chain Link Fence Gate Bracket	77.98
1601-154 Heater Kit 120 VAC ³	460.00

1. Use with 2600-418 base plate.
2. Operators come standard in a Fail-Safe configuration.
3. Use if temperature routinely falls below 10°F (-12°C).

Chain

2600-442 #40 Chain, 20-Ft (6 m)	148.00
2600-271 Chain Stop #40, #41 Chain	28.68

Backup Power Inverters

2100-083 1000 Watt, Pure Sine Wave	2046.00
--	---------

Includes two (2) 35 AH SLA batteries and can power up to two ½ HP operators or one (1) 1 HP operator. This version is suitable to be used with all brands of gate operators. See page 44 for more information.

Bi-Parting (Dual) Gate Interconnection Cable

2600-755 30-Ft. (9.1 m)	208.00
2600-756 40-Ft. (12.2 m)	274.00
2600-757 50-Ft. (15.2 m)	346.00
2600-754 500-Ft. (152.4 m)	2752.00

Guarded Guide Rollers & Bracket Assembly

1204-120 Single 3-in (76.2 mm)	74.54
1204-122 Dual 3-in (76.2 mm)	132.00
1204-121 Single 6-in (152.4 mm)	91.72
1204-123 Dual 6-in (152.4 mm)	162.00
1204-005 Replacement Roller 3-in (76.2 mm)	17.20

See page 37 for more information.

V-Wheels - Max Gate Weight

1201-102 UHMW 4-in (101.6 mm) 500 lb. (227 kg)	75.68
1201-105 UHMW 4-in (101.6 mm) 750 lb. (340 kg)	103.18
1201-117 Steel 4-in (101.6 mm) 1500 lb. (680 kg)	138.00

See page 36 for more information.

V-Wheels Tandem – Max Gate Weight

1201-012 UHMW 4-in (101.6 mm) 1500 lb. (680 kg) ...	194.00
1201-010 Steel 4-in (101.6 mm) 3000 lb. (1360 kg)	346.00
1201-210 Steel 6-in (152.4 mm) 5000 lb. (2268 kg)	506.00

See page 36 for more information.

Chain Idler Assembly

2600-818	97.46
----------------	-------

Use with rear-mounted operators.

End Catch

1204-004	57.32
----------------	-------

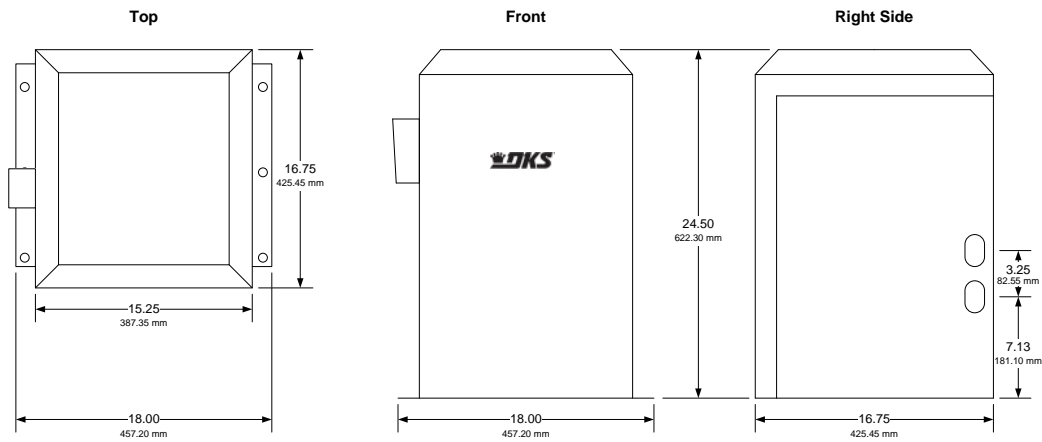
Designed for gates with 2-inch (50.8 mm) frame.

9150 Slide Gate Operators

Automatic Magnetic Limits

9150

- Self-Adjusting Magnetic Limits
- Built-in clutch
- Plug-in Loop Detector Ports
- Built-in power and reset switches
- Two 115 VAC convenience outlets
- Fail-Safe Configuration
- G90 Galvanized steel frame
- Steel cover
- 20-Foot (6 m) #40 Chain
- Gate tracker data output
- Selectable stop/ reverse function
- Partial open / anti-tailgate feature



Model	Maximum Gate Weight	Maximum Gate Length	Mount	Class of Operation ¹	Voltage ²	HP	Power Outlets	Maximum Cycles / Day	Loop Ports ²	Adjustable Clutch ³
9150	1000 Lbs 454 KG	30 Ft 9.14 m	Pad or Post ⁴	I, II, III, IV	115 208 230 460 575 VAC	1/2	2	Continuous	2	Yes
9150	1500 Lbs 680 KG	45 Ft 13.7 m	Pad or Post ⁴	I, II, III, IV	115 208 230 460 575 VAC	1	2	Continuous	2	Yes

1. I = Residential; II = Commercial; III = Limited Access; IV = Restricted Access.
2. High voltage kit (P/N 2600-266) required for 208 Volt and higher.
3. Plug-in loop detector ports; open and reverse. DoorKing plug-in loop detectors only.
4. Clutch is not applicable as an entrapment protection device.
5. Requires post mount steel base plate.

9150 Slide Gate Operators

Automatic Magnetic Limits

Choose an Operator

9150-384 ½ HP	2946.00
9150-380 1 HP.....	3554.00

High Voltage

2600-266 High Voltage Kit	610.00
---------------------------------	--------

Allows the operator to be powered from 208, 230, 460 or 575 VAC source voltage.

Choose Entrapment Protection (required) Devices

Use Type B1 (non-contact) and/or Type B2 (contact) entrapment protection devices to protect all areas where the risk of entrapment exist - see pages 42-43.

Operator will not run without entrapment protection device(s) connected to the controller board.

Loops and Loop Detectors

See page 42 for a complete list of all loop detectors, prefabricated loops and loop accessories available.

Surge Suppression

1879-080 High Voltage (120 VAC).....	148.00
--------------------------------------	--------

Accessories

2600-495 Steel Base Plate.....	288.00
2600-970 Base Plate Stop Bracket ¹	57.32
2600-865 Fail-Secure Lock Kit ²	36.70
2600-961 Chain Link Fence Gate Bracket.....	77.98
1601-154 Heater Kit 120 VAC ³	460.00
1601-197 Heater Kit 208/230 VAC ³	964.00
1601-198 Heater Kit 480 VAC ³	964.00

1. Use with 2600-495 base plate.
2. Operators come standard in a Fail-Safe configuration.
3. Use if temperature routinely falls below 10°F (-12°C).

Chain

2600-442 #40 Chain, 20-Ft (6 m).....	148.00
2600-271 Chain Stop #40, #41 Chain	28.68

Backup Power Inverters

1000-083 1000 Watt, Pure Sine Wave	2046.00
--	---------

Includes two (2) 35 AH SLA batteries and can power up to two ½ HP operators or one (1) 1 HP operator. This version is suitable to be used with all brands of gate operators. See page 44 for more information.

Bi-Parting (Dual) Gate Interconnection Cable

2600-755 30-Ft. (9.1 m).....	208.00
2600-756 40-Ft. (12.2 m).....	274.00
2600-757 50-Ft. (15.2 m).....	346.00
2600-754 500-Ft. (152.4 m).....	2752.00

Guarded Guide Rollers & Bracket Assembly

1204-120 Single 3-in (76.2 mm)	74.54
1204-122 Dual 3-in (76.2 mm)	132.00
1204-121 Single 6-in (152.4 mm)	91.72
1204-123 Dual 6-in (152.4 mm)	162.00
1204-005 Replacement Roller 3-in (76.2 mm)	17.20

See page 37 for more information.

V-Wheels - Max Gate Weight

1201-102 UHMW 4-in (101.6 mm) 500 lb. (227 kg)	75.68
1201-105 UHMW 4-in (101.6 mm) 750 lb. (340 kg)	103.18
1201-117 Steel 4-in (101.6 mm) 1500 lb. (680 kg)	138.00

See page 36 for more information.

V-Wheels Tandem – Max Gate Weight

1201-012 UHMW 4-in (101.6 mm) 1500 lb. (680 kg) ...	194.00
1201-010 Steel 4-in (101.6 mm) 3000 lb. (1360 kg)	346.00
1201-210 Steel 6-in (152.4 mm) 5000 lb. (2268 kg)	506.00

See page 36 for more information.

Chain Idler Assembly

2600-818	97.46
----------------	-------

Use with rear-mounted operators.

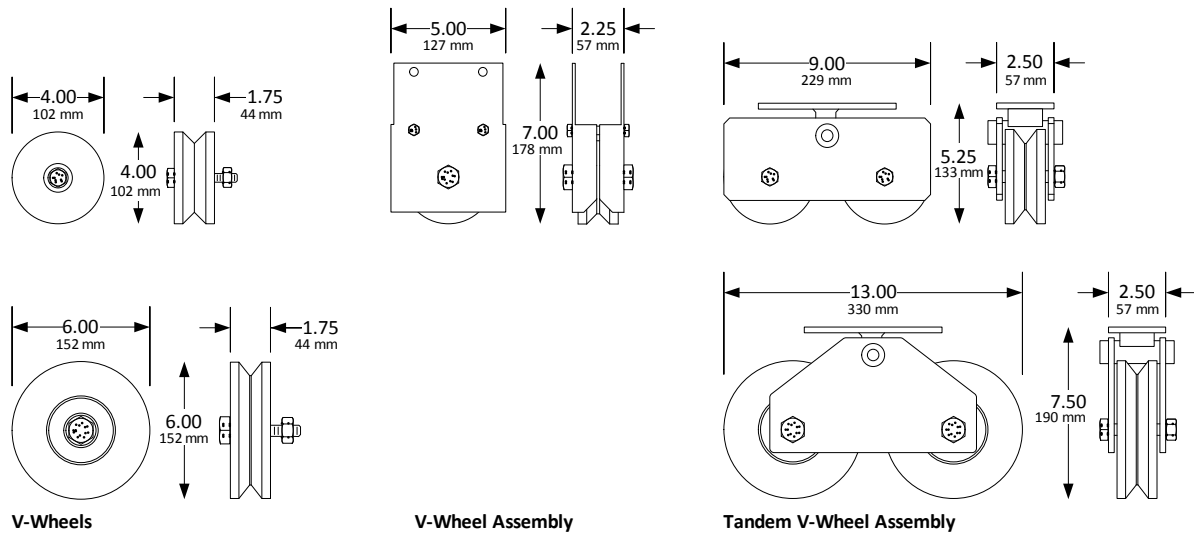
End Catch

1204-004	57.32
----------------	-------

Designed for gates with 2-inch (50.8 mm) frame.

Slide Gate Accessories

V-Wheels

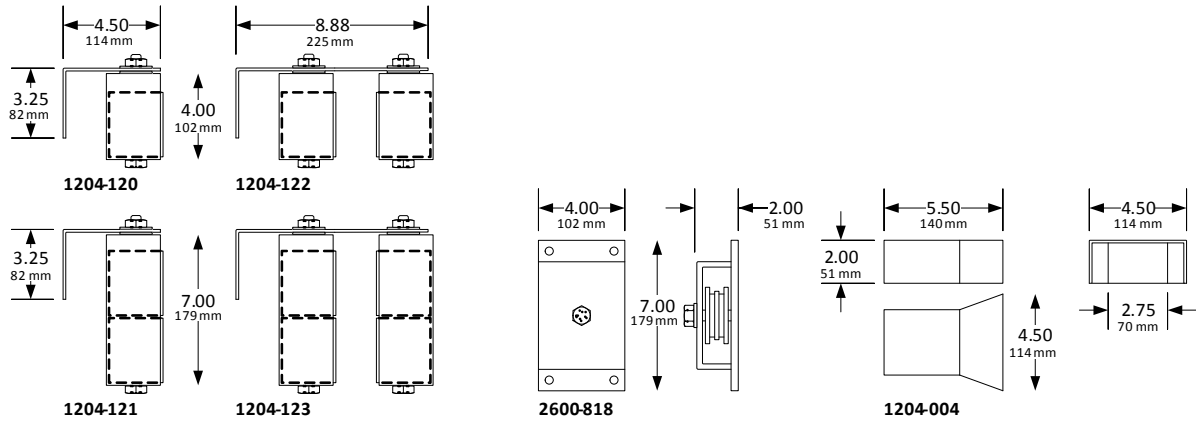


4-Inch (102 mm) V-Wheels	
1201-004 UHMW w/sleeve bearing.....	41.28
• 500 Lb. (226 Kg) maximum weight	
1201-006 UHMW w/sealed bearing	57.32
• 750 Lb. (340 Kg) maximum weight	
1201-016 Steel w/sealed bearing	103.18
• 1500 Lb. (680 Kg) maximum weight	
4-Inch (102 mm) V-Wheel Assemblies¹	
1201-102 UHMW w/sleeve bearing.....	75.68
• 500 Lb. (226 Kg) maximum weight	
1201-105 UHMW w/sealed bearing	103.18
• 750 Lb. (340 Kg) maximum weight	
1201-117 Steel w/sealed bearing	138.00
• 1500 Lb. (680 Kg) maximum weight	
1. Assemblies include wheel guarding as required by industry safety standards.	
4-Inch (102 mm) Tandem V-Wheel Assemblies	
1201-012 UHMW w/sealed bearing	194.00
• 1500 Lb. (680 Kg) maximum weight	
1201-010 Steel w/sealed bearing	346.00
• 3000 Lb. (1360 Kg) maximum weight	

6-Inch (152 mm) V-Wheels	
1201-000 Steel w/sealed bearing	202.00
• 2500 Lb. (1133 Kg) maximum weight	
6-Inch (152 mm) Tandem V-Wheel Assembly	
1201-210 Steel w/sealed bearing	506.00
• 5000 Lb. (2267 Kg) maximum weight	

Slide Gate Accessories

Guide Rollers, Chain Idler, End Catch



3-Inch (76 mm) Guide Roller Assemblies¹	
1204-120 Single	74.54
1204-122 Dual	132.00
1. Assemblies include roller guarding as required by industry safety standards.	
6-Inch (152 mm) Guide Roller Assemblies¹	
1204-121 Single	91.72
1204-123 Dual	162.00
1. Assemblies include roller guarding as required by industry safety standards.	
3-Inch (76 mm) Replacement Roller	
1204-005.....	17.20

Chain Idler Assembly	
2600-818.....	97.46
<ul style="list-style-type: none"> Use this with rear-mounted slide gate operators. Works with #40 and #41 chain. 	
End Catch	
1204-004.....	57.32
<ul style="list-style-type: none"> Use with 2-inch (51 mm) gate frame. 	

Slide Gate Operator Parts & Accessories

Miscellaneous Parts & Accessories

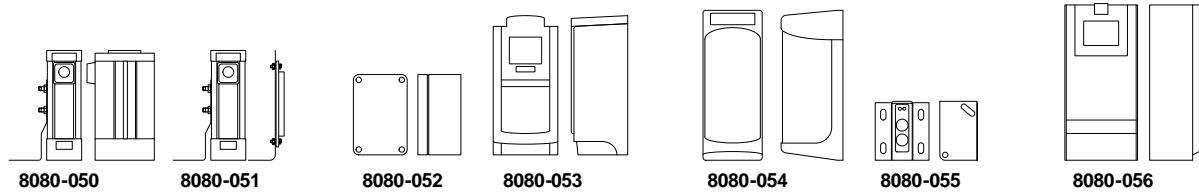
Circuit Boards	
4100-018	516.00
Used in model 9024	
4405-018	608.00
Used in model 9000	
4602-018	744.00
Used in models 9100, 9150	
4702-018	516.00
Used in models 9050	

Chain	
2600-441 #41 Chain – 20 Ft (6 m).....	116.00
2600-442 #40 Chain – 20 Ft (6 m).....	148.00
2600-271 Chain Stop for #40 and #41 Chain.....	28.68
2600-961 Chain Link Fence Gate Bracket.....	77.98
Base Plates	
2600-418 Steel Base Plate	86.00
Use with 9050 and 9100 operators	
2600-495 Steel Base Plate	288.00
Use with 9150 operator	
2600-970 Base Plate Stop Bracket	57.32
Use with 2600-418 and 2600-495	
Bi-Parting Connection Cable	
2600-754 Primary / Secondary Cable	2752.00
500-ft (152.4 m) roll	
9024-137 RS 485 Cable	630.00
984-ft (300 m) roll	

Blank Page

Entrapment Prevention Devices

Non-contact Sensors Type B1

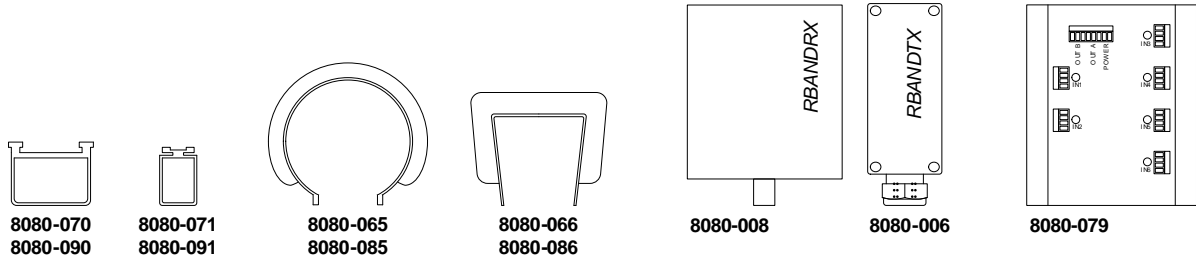


Thru-Beam Devices	
8080-050 (ME-PG)	520.00
<ul style="list-style-type: none"> • 100 Ft. (30 m) maximum sensing distance. • Receiver (RX-R) 7-30 VAC / 10-42 VDC. • Transmitter (EM-W) 7-30 VAC / 10-42 VDC. 	
8080-052 (EMX MON)	520.00
<ul style="list-style-type: none"> • 115 Ft. (35 m) maximum sensing distance. • 12-24 VAC / 6-35 VDC. • Includes hood. 	
8080-054 (Seco-Larm E960-D90GQ).....	520.00
<ul style="list-style-type: none"> • 90 Ft. (27 m) maximum sensing distance. • 12-30 VAC / VDC. 	

Photo-Reflective Devices	
8080-051 (ME-RG)	478.00
<ul style="list-style-type: none"> • 30 Ft. (9 m) maximum sensing distance. • Receiver 7-30 VAC / 10-42 VDC. 	
8080-053 (EMX IRB-RET).....	478.00
<ul style="list-style-type: none"> • 60 Ft. (18 m) maximum sensing distance. • 12-24 VAC / 6-35 VDC. 	
8080-055 (Seco-Larm E936-S45RRGQ).....	478.00
<ul style="list-style-type: none"> • 45 Ft. (14 m) maximum sensing distance. • 12-30 VAC / VDC. 	
8080-056 (Omron E3K)	478.00
<ul style="list-style-type: none"> • 33 Ft. (10 m) maximum sensing distance. • 24-240 VAC / VDC. 	

Entrapment Prevention Devices

Contact Sensors Type B2

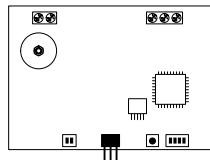


2-Wire Contact Edge with 10K Termination	
8080-071 6 Ft. (1.8 m) ME111-T2	366.00
• Ideal for barrier arms, includes mounting channel.	
8080-070 5 Ft. (1.5 m) ME123-T2	366.00
• Includes mounting channel.	
8080-065 5 Ft. (1.5 m) MGR20-T2.....	402.00
• Fits on 2 in (51 mm) round post.	
8080-066 5 Ft. (1.5 m) MGS20-T2.....	402.00
• Fits on 2 in (51 mm) square post.	
4-Wire Contact Edge ¹	
8080-091 6 Ft. (1.8 m) ME111	366.00
• Ideal for barrier arms, includes mounting channel.	
8080-090 5 Ft. (1.5 m) ME123	366.00
• Includes mounting channel.	
8080-085 5 Ft. (1.5 m) MGR20.....	402.00
• Fits on 2 in (51 mm) round post.	
8080-086 5 Ft. (1.5 m) MGS20.....	402.00
• Fits on 2 in (51 mm) square post.	
1. 4-wire edges do not have 10K termination and are designed to be used wired in series with the 2-wire T2 edges.	

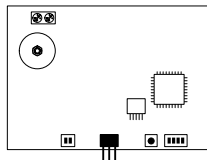
Contact Sensor Accessories	
8080-079 (MIM-62).....	828.00
• Monitors up to six (6) external contact edges.	
8080-008 Wireless Monitored Link (RB-G-K10) ¹	500.00
• Receiver: 12-24 VAC / VDC.	
• Transmitter: 3.6 VDC / 2 AA Lithium.	
• Receiver can monitor up to six (6) edges.	
1. Kit includes receiver and one (1) RB-TX-10 transmitter.	
8080-006 Monitored Transmitter (RB-TX-10)	250.00

Vehicle Protection

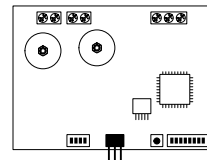
Loop Detectors and Loops



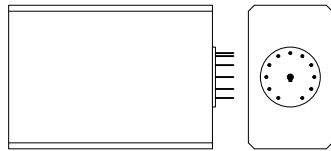
9411-010



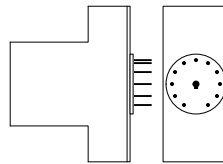
9410-010 / 9416-010



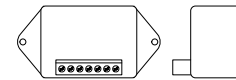
9409-010 / 9415-010



9402-045 / 9402-047



9402-044



9402-050

DKS Plug-In Loop Detectors

9411-010 Single Channel + Aux Relay	238.00
9410-010 Single Channel	220.00
9409-010 Two Channel	416.00
9415-010 Two Channel Low Power Draw	436.00
9416-010 Single Channel Low Power Draw	250.00

Reno A&E Wired Loop Detectors^{1,2}

9402-045 24 VAC / 12-24 VDC	288.00
9402-047 120 VAC	288.00
9402-061 Wire Harness	25.24

Carlo Gavazzi Wired Loop Detectors^{1,2}

9402-044 24 VAC / VDC	212.00
9402-061 Wire Harness	25.24

Diablo Wired Loop Detectors

9402-050 10-30 VAC / VDC Low Power Draw	288.00
---	--------

1. Detectors have two (2) relay outputs.
2. 9402-061 harness required.

Loop Wire – 18 AWG – XLPE Insulation

9402-076 500 Ft. (152 m) Black	184.00
9402-077 1000 Ft. (304 m) Black	288.00
9402-078 500 Ft. (152 m) Blue	184.00
9402-079 1000 Ft. (304 m) Blue	288.00
9402-080 500 Ft. (152 m) Red	184.00
9402-081 1000 Ft. (304 m) Red	288.00

Prefabricated Loops¹

9401-060 Blue Wire	288.00
9401-061 Yellow Wire	288.00
9401-062 Red Wire	288.00

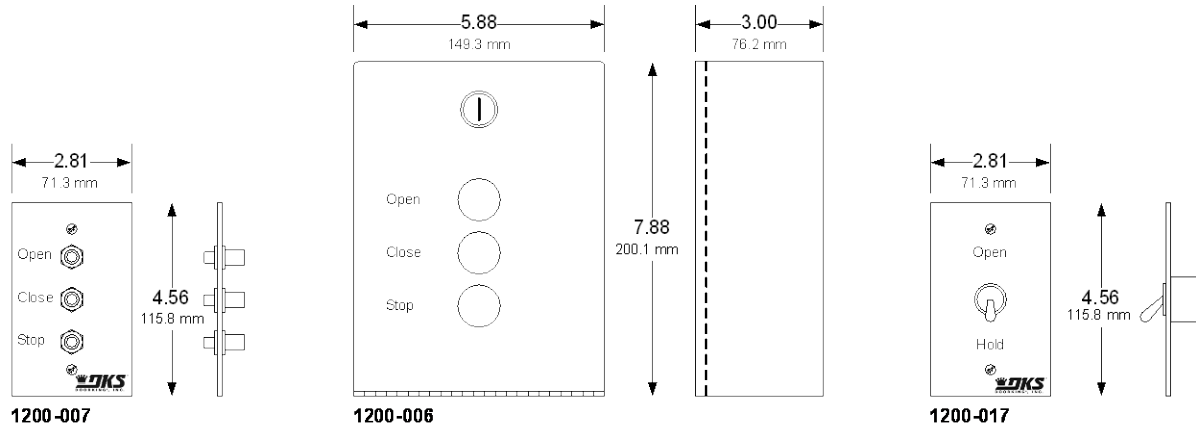
24 Ft. (7 m) circumference, 50 Ft. (15 M) lead-in wire.

Loop Accessories

9401-045 Meg-Ohm Test Meter	516.00
-----------------------------------	--------

Control Stations

Manual Control



3-Button Control¹

1200-007 Indoor use only86.00

- Mounts into single-gang electrical box.

1200-006 Indoor or Outdoor use156.00

- Wall mount

1. These control stations use a normally open stop circuit and can only be used with the following models: 6050, 6100, 9100, 9150.

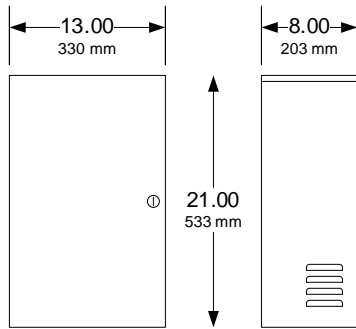
Toggle Control

1200-017 Indoor use only51.60

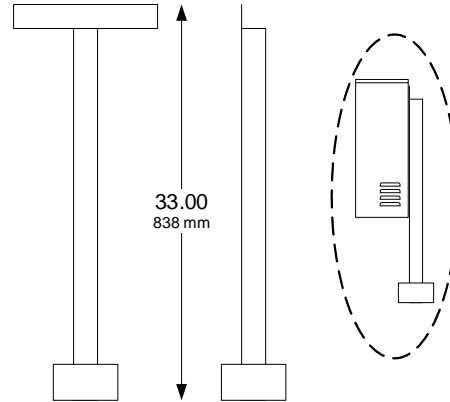
- Mounts into single-gang electrical box

Model 1000

Back-up Power / Inverter



1000-083



1000-045

Model 100 Power Inverter

1000-083 Pure Sine Wave, 1000 Watt.....2046.00

- Includes two (2) batteries.
- Will power two (2) ½ HP operators or a single 1 HP operator.
- Suitable for use with all DoorKing gate operators and most other brands.

Accessories

1000-045 Post Mount Kit 258.00

1801-005 12-Volt, 35 Ah SLA Battery..... 264.00

1000-044 Battery Cable Set 48.88

Blank Page