



Section A1

This Price Schedule is effective January 1, 2018.

Vehicular Traffic Control

| Date | Page | Comment |
|---------|---|---|
| 1-1-18 | All | January, 2018 Price Schedule update. |
| 1-26-18 | 6, 7 | Added 1601-180, 1601-181 Gray Housing and 1601-283 Gray arm hub cover. |
| 1-26-18 | 6, 7 | Added 1620-08x Lane Barrier Add-On options. |
| 2-20-18 | 6 - 11 | Updated voltage information in charts and moved high voltage kit under operator part numbers. |
| | 20 - 23 | |
| | 28 - 29 | |
| | 34 - 35 | |
| 2-20-18 | 28 - 29 | Deleted part numbers 9000-090, 9000-091 and 9000-092. |
| 3-14-18 | 16 - 17 | Deleted P/N 6006-080. Added P/N 6003-080. |
| 3-14-18 | 27 | Removed reference to 6006. Added reference to 6003. |
| 3-27-18 | 7 | Added 1601-528 2-piece arm – breakaway. |
| 5-18-18 | 2 | Modified UL 325 statement. |
| 5-18-18 | 6, 7, 10, 11 | Clarified that the arm length using the fold option is 12 Ft. |
| 5-22-18 | 4 | Adjusted overall length measurements. |
| 8-1-18 | 3 | Added information about the August, 2018 UL 325 update. |
| 8-1-18 | 4 - 47 | All page numbers increased by 2. |
| 8-1-18 | 7, 19, 21, 23, 25, 27, 29, 31, 33, 35, 37, 40 | Updated part numbers. |
| 8-2-18 | 24 | Added non-UL note to models 6550 and 6555. |
| | | |
| | | |
| | | |
| | | |
| | | |
| | | |
| | | |
| | | |

Solar Tax Credit

Homeowners who purchase a solar powered gate operator manufactured by DoorKing, Inc. after December 31, 2008, may qualify for a 30% Federal Tax Credit off the installed cost of the system. This tax credit is available for the installed cost of the solar powered gate operator on the homeowner's Federal tax return.

The 30% [Investment Tax Credit \(ITC\)](#) for residential and commercial solar systems will expire on December 31, 2019, the ITC then steps down to 26 percent in 2020 and 22 percent in 2021. After 2021, the residential credit will drop to zero while the commercial and utility credit will drop to a permanent 10 percent. Commercial and utility projects which have commenced construction before December 31, 2021 may still qualify for the 30, 26 or 22 percent ITC if they are placed in service before December 31, 2023. The Treasury and IRS are currently drafting guidance which will inform solar developers of which percentage of ITC they will qualify for depending on when they started their project.

The solar powered Gate Operator is considered a "Qualified Solar Electric Property" authorized by the Internal Revenue Code Section 25D under the definition provided in paragraph d.2 and as such qualifies for the Residential Energy Efficient Tax Credit. You will need to complete Federal Form 5695 and attach it to your personal tax return in order to claim this credit. If you have any questions regarding this Federal Tax Credit, Form 5695 or its instructions, please consult your tax adviser. You should also check with your state tax agency to see if your state offers any additional solar energy tax incentives.

What is Covered:

The solar system tax credit applies to the total installed cost of the solar gate operator system. This includes the related solar panel, gate operator, solar control box, access control device, remote controls, obstruction detection device(s), etc.

DoorKing Model 6005 Swing Gate Actuator (P/N 6005-080)*

DoorKing Model 6006 Swing Gate Actuator (P/N 6006-080)*

DoorKing Model 6004 Swing Gate Operator (P/N 6004-080)*

DoorKing Model 6400 Swing Gate Operator (P/N 6400-080)*

** To qualify, must be installed with 4302-113, 4302-114 or 4302-115 Solar Control Box*

DoorKing Model 6524-081 Swing Gate Operator

DoorKing Model 9024-081 Slide Gate Operator

DoorKing Solar Kit (P/N 2000-070)

DoorKing Solar Panel (P/N 2000-076 or 2600-077)

Batteries; two (2) 18 Amp Hour (P/N 1801-004) or two (2) 35 Amp Hour (P/N 1801-005)

What is Not Covered:

The cost of the gate itself, or work required to place the physical gate into proper working order (leveling, replacing hinges, etc.).

Qualifications:

- The installation of a DoorKing Solar Powered Gate System
- Effective for tax years beginning after December 31, 2008
- Homeowners will need to use The Federal Tax Credit form 5695, Residential Energy Efficient Property Credit
- Homeowners will need to provide a copy of the "[Manufacturer's Certification for Credit](#)"
- The dwelling must be located in the United States and used as a residence by the taxpayer
- This offer is only available in the United States

UL 325 – August 2018 Update

Requirements mandated by the safety standard (UL 325) that DKS gate operators are listed to require that photo-beams and contact edges used for entrapment protection must be monitored. Entrapment protection must be provided for the gate system where the risk of entrapment exist. The gate operator will not run without one or more external entrapment protection devices installed in each direction of travel. Check the gate operator installation manual for a list of external entrapment protection devices that can be used with DKS gate operator products.

The August 2018 update to the safety standard requires that a minimum of two (2) independent means of entrapment protection must be provided in each direction of travel where the risk of entrapment exists. The inherent system in DKS gate operators is active in both directions of travel, so this qualifies as one means of entrapment protection in each direction. The second means will be an external device, such as a non-contact (Type B1) or a contact (Type B2) sensor as required in each direction. The actual number of external devices required is dependent on the gate system layout and the number of entrapment areas that will need to be protected. Installers will have to identify all potential areas where the risk of entrapment exist and how best to protect those areas. For example, some gates may require two (or more) external devices in each direction of travel to protect all potential areas of entrapment. The standard also mandates that all components used for monitoring purposes for external devices must be factory installed internally within the device.

There is an exception for swing gates and vertical lift gates regarding the minimum of two entrapment protection devices in each direction of travel. For example, if on a swing gate system there is no potential for entrapment in the opening direction, then only the close direction will require a minimum of two means of entrapment protection. Installers will have to determine if any entrapment hazards exist in the opening direction, and if so, then those areas will have to be protected with external devices.

Vertical lift gates require two means of entrapment protection in the down cycle, but will only require one means of entrapment protection in the up cycle. The model 1175 is considered to be a vertical lift gate operator for entrapment protection means requirements.

Barrier gate operators that are installed in such a way that the barrier arm does not come closer than 16 inches to a rigid object are not required to protect against entrapment.

The table below shows the minimum entrapment protection requirements for each type of gate operator in the scope of the UL 325 Standard for Safety.

| | Opening | Closing |
|--|---------|---------|
| Horizontal Slide Gate | 2 | 2 |
| Horizontal Swing Gate | 2* | 2* |
| Vertical Pivot Gate | 2 | 2 |
| Vertical Lift gate | 1 | 2 |
| * For a horizontal swing gate operator, at least two independent entrapment protection means are required in each direction of travel. Except, if there is no entrapment zone in one direction of travel, only one means of entrapment protection is required in that direction of travel; however, the other direction must have two independent entrapment protection means. | | |

Blank Page

Table of Contents

Overhead / Barrier Gate Operators / Traffic Spike Systems

| | |
|--|----|
| Model 1175 | 6 |
| Model 1601 | 8 |
| Model 1602 | 10 |
| Model 1603 | 12 |
| Traffic Control Spikes | 14 |
| Warning Signs / Traffic Signals | 15 |
| Overhead / Barrier Gate Operator Parts | 16 |

Swing Gate Operators

| | |
|------------------------------------|----|
| Model 6005, 6006, 6004, 6400 | 18 |
| Model 6050 / 6100 | 20 |
| Model 6300 | 22 |
| Model 6500 / 6550 | 24 |
| Model 6524 | 26 |
| Swing Gate Accessories | 28 |
| Swing Gate Operator Parts | 29 |

Slide Gate Operators

| | |
|---------------------------------|----|
| Model 9000 | 30 |
| Model 9024 | 32 |
| Model 9050 / 9100 | 34 |
| Model 9150 | 36 |
| Slide Gate Accessories | 38 |
| Slide Gate Operator Parts | 40 |

Entrapment Protection

| | |
|---|----|
| Entrapment Protection Devices Non-Contact Type B1 | 42 |
| Entrapment protection Devices Contact Type B2 | 43 |

Vehicle Detection

| | |
|--------------------------------|----|
| Loop Detectors and Loops | 44 |
|--------------------------------|----|

Accessories

| | |
|------------------------|----|
| Control Stations | 45 |
|------------------------|----|

Back-up Power Inverters

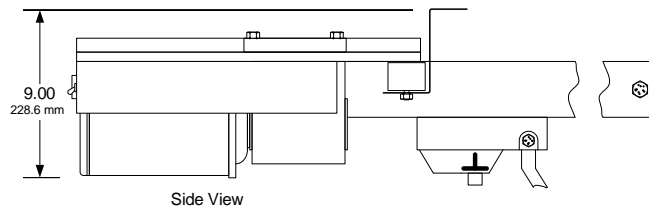
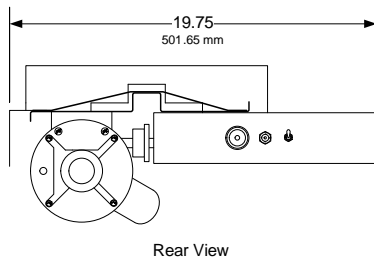
| | |
|------------------|----|
| Model 1000 | 46 |
|------------------|----|

1175 Overhead Operator

Indoor Use Only

1175

- Adjustable Limits
- Plug-in Loop Detector Ports
- Built-in power and reset switches
- Gate Tracker Data Output
- Steel Frame
- #40 Roller Chain
- Heavy-duty 3-in (76.2 mm) Rails
- Up to 14 Ft (4.27 m) high gate



| Model | Maximum Gate Height | Overall Length | Mount Options ¹ | Class of Operation ² | Voltage | HP | Power Outlets | Maximum Cycles / Day | Loop Ports ³ | Adjustable Clutch ⁴ |
|-------|---------------------|--------------------|----------------------------|---------------------------------|---------|-----|---------------|----------------------|-------------------------|--------------------------------|
| 1175 | 8 Ft 2.43 m | 12.25 Ft 3.73 m | Ceiling | II, III, IV | 115 VAC | 1/2 | N/A | Continuous | 2 | No |
| | 10 Ft 3.05 m | 14.25 Ft 4.34 m | | | | | | | | |
| | 12 Ft 3.66 m | 16.25 Ft 4.95 m | | | | | | | | |
| | 14 Ft 4.27 m | 18.25 Ft 5.56 m | | | | | | | | |

1. If the operator is mounted less than 8 feet above the ground, the optional powerhead cover (1175-020) is required.
2. II = Commercial; III = Limited Access; IV = Restricted Access.
3. Plug-in loop detector ports; open and reverse. DoorKing plug-in loop detectors only.
4. Operator is equipped with a Type A inherent detection system.

1175 Overhead Operator

Indoor Use Only

Powerhead Assembly

1175-380..... 1996.00

Optional Powerhead Cover

1175-020..... 302.00

Required if powerhead assembly is mounted less than 8 feet (2.43m) above the ground.

Rail Assembly

1150-225 (8 ft. high gate) 842.00

1150-226 (10 ft. high gate)..... 918.00

1150-227 (12 ft. high gate)..... 1178.00

1150-228 (14 ft. high gate)..... 1246.00

Entrapment Protection (required)

Use Type B1 (non-contact) and/or Type B2 (contact) entrapment protection devices to protect all areas where the risk of entrapment exist - see pages 42-43.

Operator will not run without entrapment protection device(s) connected to the controller board.

Loops and Loop Detectors

See page 42 for a complete list of all loop detectors, prefabricated loops and loop accessories available.

Surge Suppression

1879-080 High Voltage (120 VAC)..... 148.00

Backup Power Inverters

1000-080 1000 Watt, Modified Sine Wave 1566.00

Includes one (1) 35 AH SLA battery and can power a single ½ HP operator. Use this version with DoorKing operators only.

1000-082 1000 Watt, Pure Sine Wave 2046.00

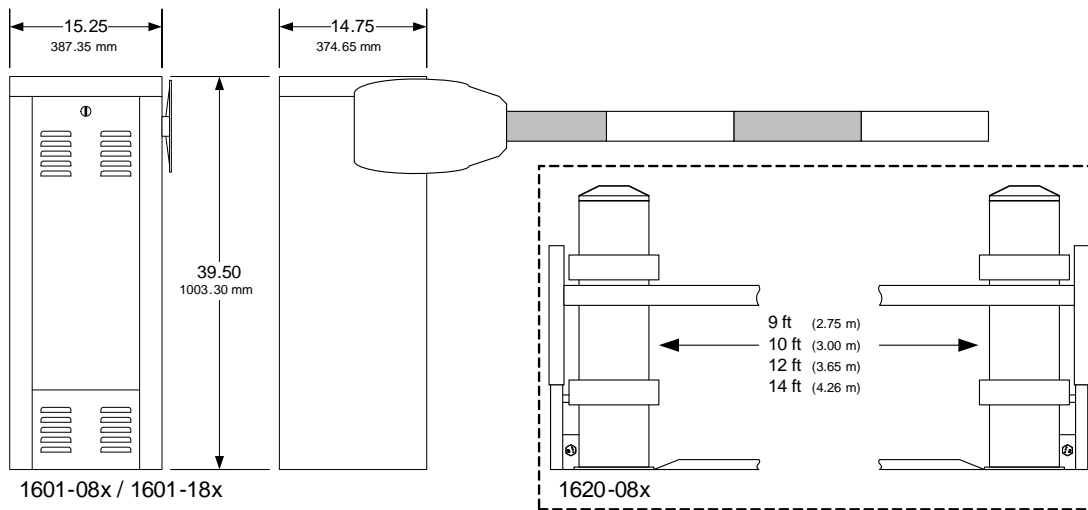
Includes two (2) 35 AH SLA batteries and can power up to two ½ HP operators or one (1) 1 HP operator. This version is suitable to be used with all brands of gate operators. See page 44 for more information.

1601 Barrier Gate Operator

Magnetic Limits

1601

- Magnetic Limits
- Plug-in Loop Detector Ports
- Gate Tracker Data Output
- Up input memory buffer
- Down memory buffer
- Built-in power and operate switches
- Two convenience outlets
- Left or right hand mount
- Galvanized steel housing
- 90° in approximately 1.5 sec.



| Model ¹ | Mount Options | Class of Operation ² | Voltage ³ | HP | Power Outlets | Cycles / Day | Loop Ports ⁴ | Arm Type ⁵ | Maximum Length | Fold Option ⁶ | Breakaway Option | Lighted Option ⁵ |
|--------------------|---------------|---------------------------------|-------------------------------|-----|---------------|--------------|-------------------------|-----------------------|------------------|--------------------------|------------------|-----------------------------|
| 1601 | Left or Right | II, III, IV | 115 208 230 460 575 VAC | 1/2 | 2 | Continuous | 2 | Aluminum | 14 Ft. 4.27 m | Yes | Yes | Yes |
| | | | | | | | | Wood | 14 Ft. 4.27 m | Yes | No | No |
| | | | | | | | | Plastic | 12 Ft. 3.66 m | Yes | No | No |

1. 1601 is available with white housing (1601-08x) or gray housing (1601-18x). Gray housing includes stainless steel door.
2. II = Commercial; III = Limited Access; IV = Restricted Access.
3. High voltage kit (P/N 2600-266) required for 208 Volt and higher.
4. Plug-in loop detector ports; up loop and down loop. DoorKing plug-in loop detectors only.
5. Always use lighted aluminum arm when using the lane barrier (1620-08x) add-on option.
6. Maximum arm length using the fold option is 12 Ft. (3.66 m).

1601 Barrier Gate Operator

Magnetic Limits

Choose an Operator

| | |
|--|---------|
| 1601-080 1/2 HP White Housing..... | 3164.00 |
| 1601-081 1/2 HP w/COO ¹ White Housing | 4106.00 |
| 1601-180 1/2 HP Gray Housing | 3515.00 |
| 1601-181 1/2 HP w/COO ¹ Gray Housing..... | 4317.00 |

1. Convenience Open Option provides a method to raise the arm when AC power has failed.

High Voltage

| | |
|--------------------------------|--------|
| 2600-266 High Voltage Kit..... | 610.00 |
|--------------------------------|--------|

Allows the operator to be powered from 208, 230, 460 or 575 VAC source voltage.

Choose Entrapment Protection (required) Devices

Use Type B1 (non-contact) and/or Type B2 (contact) entrapment protection devices to protect all areas where the risk of entrapment exist - see pages 42-43.

Loops and Loop Detectors

See page 42 for a complete list of all loop detectors, prefabricated loops and loop accessories available.

Surge Suppression

| | |
|---------------------------------------|--------|
| 1879-080 High Voltage (120 VAC) | 148.00 |
|---------------------------------------|--------|

Backup Power Inverters

| | |
|--|---------|
| 1000-080 1000 Watt, Modified Sine Wave | 1566.00 |
|--|---------|

Includes one (1) 35 AH SLA battery and can power a single ½ HP operator. Use this version with DoorKing operators only.

| | |
|--|---------|
| 1000-082 1000 Watt, Pure Sine Wave | 2046.00 |
|--|---------|

Includes two (2) 35 AH SLA batteries and can power up to two ½ HP operators or one (1) 1 HP operator. This version is suitable to be used with all brands of gate operators. See page 44 for more information.

Accessories

| | |
|---|---------|
| 1601-281 Arm Hub Cover White ¹ | 90.88 |
| 1601-283 Arm Hub Cover Gray ¹ | 90.88 |
| 1603-210 Traffic Signal & Mount Kit | 1044.00 |
| 1601-092 Heater Kit ² | 258.00 |
| 1601-093 Fan Kit ³ | 258.00 |
| 1601-270 Manual Crank Kit..... | 264.00 |

1. Arm hub cover is included with the 1601 operator. Shown here for replacement purposes only.

2. Use if temperature routinely falls below 10°F (-12°C).

3. Use in hot, humid environments.

Aluminum Arm – Standard

| | |
|---------------------------------------|--------|
| 1601-242 Hardware Kit - Required..... | 164.00 |
|---------------------------------------|--------|

Choose one arm from below

| | |
|---|--------|
| 1601-516 Arm 14 Ft (4.27 m) | 308.00 |
| 1601-524 Arm 14 Ft (4.27 m), 2-Piece ¹ | 374.00 |
| 1601-610 Arm Folding 12 Ft (3.66 m)..... | 506.00 |

1. Ships in 7-ft (2.13 m) long box to reduce shipping cost.

Aluminum Arm – LED Lighted

| | |
|---------------------------------------|--------|
| 1601-242 Hardware Kit - Required..... | 164.00 |
|---------------------------------------|--------|

| | |
|---|--------|
| 1601-535 Power Harness – Required | 156.00 |
|---|--------|

Choose one arm from below

| | |
|---|--------|
| 1601-518 Arm 14 Ft (4.27 m) Lighted..... | 552.00 |
| 1601-600 Arm Folding Lighted 12 Ft (3.66 m) | 956.00 |

Aluminum Arm – Breakaway

| | |
|---|--------|
| 1601-285 Breakaway Hardware Kit - Required..... | 890.00 |
|---|--------|

Choose one arm from below

| | |
|---|--------|
| 1601-522 Arm 14 Ft (4.27 m) | 312.00 |
| 1601-528 Arm 14 Ft (4.27 m), 2-Piece ¹ | 410.00 |
| 1601-520 Arm 14 Ft (4.27 m) Lighted..... | 552.00 |

1. Ships in 7-ft (2.13 m) long box to reduce shipping cost.

Wood Arm

| | |
|---------------------------------------|--------|
| 1601-240 Hardware Kit - Required..... | 138.00 |
|---------------------------------------|--------|

Choose one arm from below

| | |
|--|--------|
| 1601-348 Arm 14 Ft (4.27 m) | 244.00 |
| 1601-384 Arm Folding 12 Ft (3.66 m)..... | 420.00 |

Plastic Arm

| | |
|---------------------------------------|--------|
| 1601-241 Hardware Kit - Required..... | 138.00 |
|---------------------------------------|--------|

Choose one arm from below

| | |
|--|--------|
| 1601-571 Arm 12 Ft (3.66 m) | 142.00 |
| 1601-383 Arm Folding 12 Ft (3.66 m)..... | 420.00 |

Lane Barrier Add-On¹

| | |
|--|-----------|
| 1620-080 9 ft (2.75 m) opening width..... | 25,764.00 |
| 1620-081 10 ft (3.00 m) opening width..... | 26,364.00 |
| 1620-083 12 ft (3.65 m) opening width..... | 27,864.00 |
| 1620-085 14 ft (4.26 m) opening width..... | 28,564.00 |

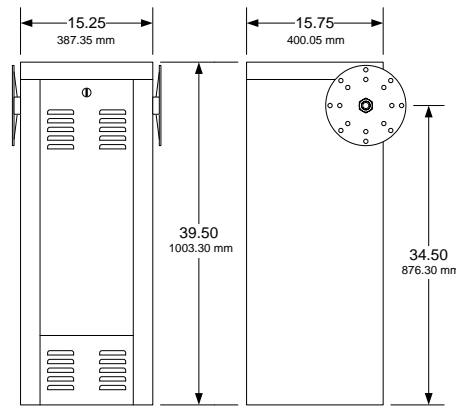
1. Requires 1601 operator, 1601-242 hardware kit, 1601-535 power harness and 1601-518 arm – not included in the lane barrier pricing. For passenger cars and light trucks only.

1602 Barrier Gate Operator

Magnetic Limits

1602

- Magnetic Limits
- Plug-in Loop Detector Ports
- Gate Tracker Data Output
- Up input memory buffer
- Down memory buffer
- Built-in power and operate switches
- Two convenience outlets
- Left or right hand mount
- Galvanized steel housing
- 90° in approximately 5.5 sec.



| Model | Mount Options | Class of Operation ¹ | Voltage ² | HP | Power Outlets | Cycles / Day | Loop Ports ³ | Arm Type | Maximum Length | Fold Option | Breakaway Option | Lighted Option |
|-------|---------------|---------------------------------|-------------------------------|----|---------------|--------------|-------------------------|----------|------------------|-------------|------------------|----------------|
| 1602 | Left or Right | II, III, IV | 115 208 230 460 575 VAC | 1 | 2 | Continuous | 2 | Aluminum | 20 Ft. 6.09 m | No | No | Yes |
| | | | | | | | | | 24 Ft. 7.31 m | No | No | Yes |
| | | | | | | | | | 27 Ft. 8.23 m | No | No | Yes |
| | | | | | | | | Wood | 20 Ft. 6.09 m | No | No | No |

1. II = Commercial; III = Limited Access; IV = Restricted Access.
2. High voltage kit (P/N 2600-266) required for 208 Volt and higher.
3. Plug-in loop detector ports; up loop and down loop. DoorKing plug-in loop detectors only.

1602 Barrier Gate Operator

Magnetic Limits

Choose an Operator

| | |
|--|---------|
| 1602-090 1 HP..... | 4678.00 |
| 1602-091 1 HP w/COO ¹ | 5620.00 |

1. Convenience Open Option provides a method to raise the arm when AC power has failed.

High Voltage

| | |
|---------------------------------|--------|
| 2600-266 High Voltage Kit | 610.00 |
|---------------------------------|--------|

Allows the operator to be powered from 208, 230, 460 or 575 VAC source voltage.

Choose Entrapment Protection (required) Devices

Use Type B1 (non-contact) and/or Type B2 (contact) entrapment protection devices. See pages 40-41 for a complete list of all entrapment protection devices available.

Loops and Loop Detectors

Use Type B1 (non-contact) and/or Type B2 (contact) entrapment protection devices to protect all areas where the risk of entrapment exist - see pages 42-43.

Surge Suppression

| | |
|--------------------------------------|--------|
| 1879-080 High Voltage (120 VAC)..... | 148.00 |
|--------------------------------------|--------|

Backup Power Inverters

| | |
|--|---------|
| 1000-080 1000 Watt, Modified Sine Wave | 1566.00 |
|--|---------|

Includes one (1) 35 AH SLA battery and can power a single ½ HP operator. Use this version with DoorKing operators only.

| | |
|--|---------|
| 1000-082 1000 Watt, Pure Sine Wave | 2046.00 |
|--|---------|

Includes two (2) 35 AH SLA batteries and can power up to two ½ HP operators or one (1) 1 HP operator. This version is suitable to be used with all brands of gate operators. See page 44 for more information.

Accessories

| | |
|---|---------|
| 1603-210 Traffic Signal & Mount Kit | 1044.00 |
| 1601-092 Heater Kit ¹ | 258.00 |
| 1601-093 Fan Kit ² | 258.00 |
| 1602-170 Manual Crank Kit..... | 448.00 |

1. Use if temperature routinely falls below 10°F (-12°C).
 2. Use in hot, humid environments.

Aluminum Arms

| | |
|--|---------|
| 1602-162 3-Piece, 20 Ft (6.09 m) | 3432.00 |
| 1602-164 3-Piece, 24 Ft (7.31 m) | 3588.00 |
| 1602-166 3-Piece, 27 Ft (8.23 m) | 3692.00 |

Aluminum Arms – LED Lighted

| | |
|--|---------|
| 1602-172 3-Piece, 20 Ft (6.09 m) | 3764.00 |
| 1602-174 3-Piece, 24 Ft (7.31 m) | 3988.00 |
| 1602-176 3-Piece, 27 Ft (8.23 m) | 4142.00 |

Wood Arm

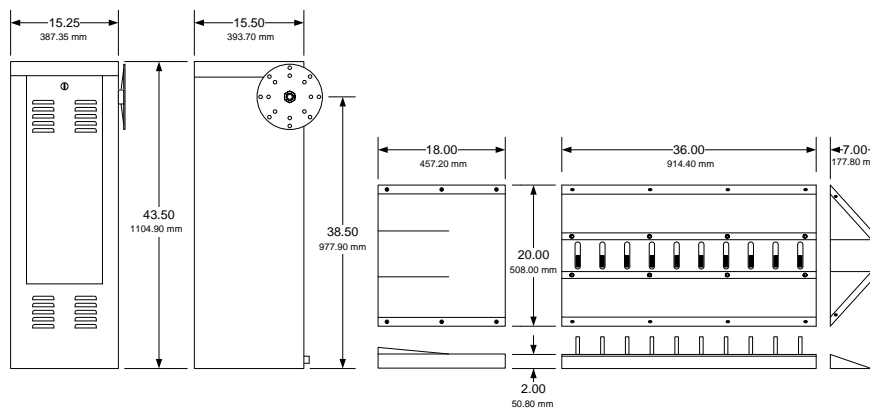
| | |
|--|--------|
| 1602-340 3-Piece, 20 Ft (6.09 m) | 528.00 |
| 1602-041 Hardware Kit - Required..... | 964.00 |

1603 Barrier Gate / Auto-Spikes

Magnetic Limits

1603

- Magnetic Limits
- Plug-in Loop Detector Ports
- Gate Tracker Data Output
- Up input memory buffer
- Down memory buffer
- Built-in power and operate switches
- Two convenience outlets
- Left or right hand mount
- Galvanized steel housing
- 90° in approximately 1.5 sec.



| Model | Mount Options | Class of Operation ¹ | Voltage ² | HP | Power Outlets | Cycles / Day | Loop Ports ³ | Arm Type | Maximum Length | Fold Option ⁴ | Breakaway Option | Lighted Option |
|-------|---------------|---------------------------------|-------------------------------|-----|---------------|--------------|-------------------------|----------|------------------|--------------------------|------------------|----------------|
| 1603 | Left or Right | II, III, IV | 115 208 230 460 575 VAC | 1/2 | 2 | Continuous | 2 | Aluminum | 14 Ft. 4.27 m | Yes | Yes | Yes |
| | | | | | | | | Wood | 14 Ft. 4.27 m | Yes | No | No |
| | | | | | | | | Plastic | 12 Ft. 3.66 m | Yes | No | No |

1. II = Commercial; III = Limited Access; IV = Restricted Access.
2. High voltage kit (P/N 2600-266) required for 208 Volt and higher.
3. Plug-in loop detector ports; up loop and down loop. DoorKing plug-in loop detectors only.
4. Maximum arm length using the fold option is 12 Ft. (3.66 m).

1603 Barrier Gate / Auto-Spikes

Magnetic Limits

Choose an Operator

| | |
|--|---------|
| 1603-180 1/2 HP | 4530.00 |
| 1603-181 1/2 HP w/COO ¹ | 5468.00 |
| <i>1. Convenience Open Option provides a method to raise the arm when AC power has failed.</i> | |

High Voltage

| | |
|--|--------|
| 2600-266 High Voltage Kit | 610.00 |
| <i>Allows the operator to be powered from 208, 230, 460 or 575 VAC source voltage.</i> | |

Choose Entrapment Protection (required) Devices

Use Type B1 (non-contact) and/or Type B2 (contact) entrapment protection devices to protect all areas where the risk of entrapment exist - see pages 42-43.

Loops and Loop Detectors

See page 42 for a complete list of all loop detectors, prefabricated loops and loop accessories available.

Warning Sign - Required

| | |
|--|---------|
| 1615-081 Auto-Spike Warning Sign..... | 1110.00 |
| <i>Illuminated warning sign MUST be used with the auto-spike system. Warning sign mounts on a 3.5 in (89 mm) post.</i> | |

Traffic Signal - Recommended

| | |
|----------------|---------|
| 1603-210 | 1044.00 |
|----------------|---------|

Surge Suppression

| | |
|--------------------------------------|--------|
| 1879-080 High Voltage (120 VAC)..... | 148.00 |
|--------------------------------------|--------|

Backup Power Inverters

| | |
|---|---------|
| 1000-080 1000 Watt, Modified Sine Wave | 1566.00 |
| <i>Includes one (1) 35 AH SLA battery and can power a single ½ HP operator. Use this version with DoorKing operators only.</i> | |
| 1000-082 1000 Watt, Pure Sine Wave | 2046.00 |
| <i>Includes two (2) 35 AH SLA batteries and can power up to two ½ HP operators or one (1) 1 HP operator. This version is suitable to be used with all brands of gate operators. See page 44 for more information.</i> | |

Aluminum Arm – Standard

| | |
|--|--------|
| 1601-242 Hardware Kit - Required..... | 164.00 |
| <i>Choose one arm from below</i> | |
| 1601-516 Arm 14 Ft (4.27 m) | 308.00 |
| 1601-524 Arm 14 Ft (4.27 m), 2-Piece ¹ | 374.00 |
| 1601-610 Arm Folding 12 Ft (3.66 m)..... | 506.00 |
| <i>1. Ships in 7-ft (2.13 m) long box to reduce shipping cost.</i> | |

Aluminum Arm – LED Lighted

| | |
|---|--------|
| 1601-242 Hardware Kit - Required..... | 164.00 |
| 1601-535 Power Harness – Required | 156.00 |
| <i>Choose one arm from below</i> | |
| 1601-518 Arm 14 Ft (4.27 m) Lighted..... | 552.00 |
| 1601-600 Arm Folding Lighted 12 Ft (3.66 m) | 956.00 |

Spike Components

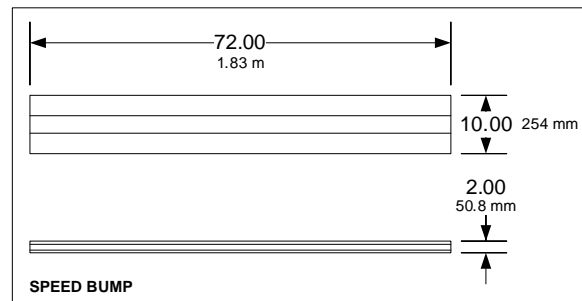
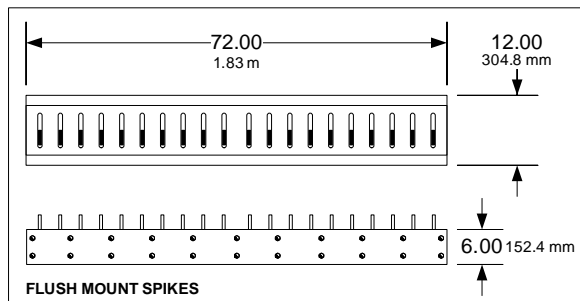
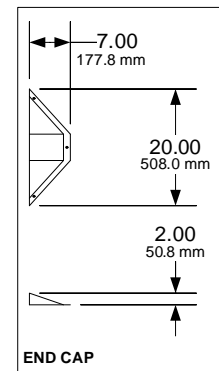
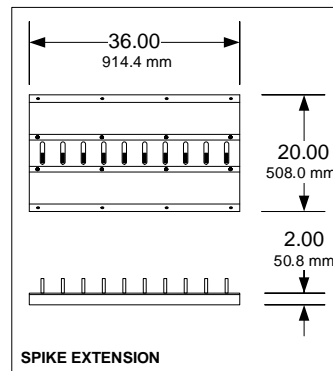
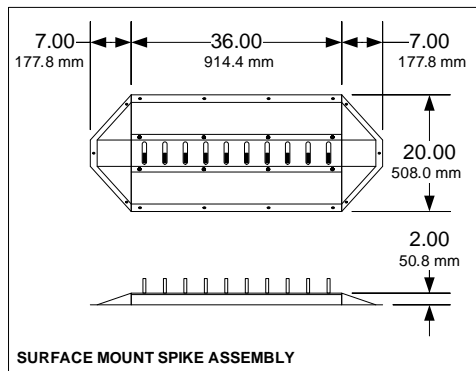
| | |
|--|---------|
| 1603-168 Drive Ext 18 in (457 mm) - Required | 1080.00 |
| <i>Choose spike components from below</i> | |
| 1603-165 Spike Section 3 Ft (0.91 m)..... | 1926.00 |
| 1603-170 Tunnel Extension 18 in (457 mm)..... | 1080.00 |
| 1610-240 End Cap | 424.00 |

Accessories

| | |
|--|---------|
| 1601-281 Arm Hub Cover ¹ | 90.88 |
| 1615-081 Warning Sign ² | 1110.00 |
| 1603-210 Traffic Signal & Mount Kit | 1044.00 |
| 1601-092 Heater Kit ³ | 258.00 |
| 1601-093 Fan Kit ⁴ | 258.00 |
| 1601-270 Manual Crank Kit..... | 264.00 |
| <i>1. Arm hub cover is included with the 1603 operator. Shown here for replacement purposes only.</i> | |
| <i>2. Warning sign advises drivers that a one-way lane condition exist and must be installed with the auto-spike system.</i> | |
| <i>3. Use if temperature routinely falls below 10°F (-12°C).</i> | |
| <i>4. Use in hot, humid environments.</i> | |

Model 1610

Stand-Alone Traffic Control Spikes

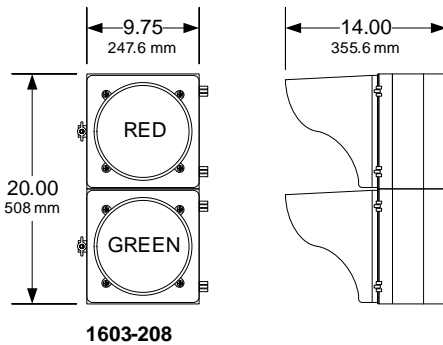
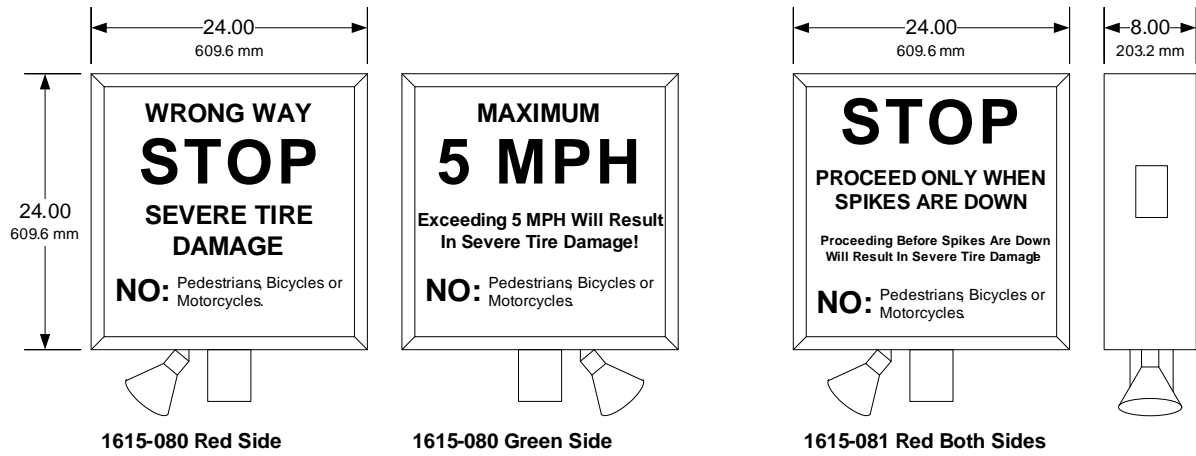


| Surface Mount Spikes | |
|---|---------|
| 1610-088 Assembly | 3098.00 |
| 1610-087 Extension | 2180.00 |
| 1610-240 End Cap..... | 424.00 |
| 1610-010 Lock Down Tool | 162.00 |
| <ul style="list-style-type: none"> Surface mount spikes use spring retraction and have a lock down feature (requires 1610-010). 1610-088 assembly includes one (1) 1610-087 and two (2) 1610-240. | |
| Speed Bump | |
| 1610-150 Speed Bump | 372.00 |
| Warning Sign - Required | |
| 1615-080 Warning Sign | 1110.00 |
| <ul style="list-style-type: none"> Warning signs are mandatory when spike systems are installed. See next page for more options. | |

| Flush Mount Spikes | |
|---|---------|
| 1610-080 Spring Retraction | 1548.00 |
| 1610-090 Spring Retraction HD ¹ | 1834.00 |
| 1610-081 Weighted Retraction..... | 1548.00 |
| 1610-091 Weighted Retraction HD ¹ | 1834.00 |
| Flush Mount Spikes with Lock-Down Feature | |
| 1610-082 Spring Retraction ² | 1806.00 |
| 1610-092 Spring Retraction HD ^{1,2} | 2092.00 |
| 1610-083 Weighted Retraction ³ | 1806.00 |
| 1610-093 Weighted Retraction HD ^{1,3} | 2092.00 |
| 1. HD = Heavy-duty, ¼ in (6 mm) top plate. 2. Includes 1610-012 lock-down tool. 3. Includes 1610-013 lock-down tool | |
| Replacement Lock-Down Tools | |
| 1610-012 Use with Spring Retraction spikes..... | 80.26 |
| 1610-013 Use with Weighted Retraction spikes | 132.00 |

Traffic Control

Warning Sign, Traffic Signal



| Illuminated Warning Signs | | Traffic Signal | |
|---|---------|--|---------|
| 1615-080..... | 1110.00 | 1603-208..... | 888.00 |
| 1615-082 (Spanish)..... | 1110.00 | 1603-210 ¹ | 1044.00 |
| <ul style="list-style-type: none"> Use these signs with surface and flush mount spike systems. Signs mount on a 3.5 in (89 mm) post. | | 1. Same as 1603-208 with mounting post kit for the 1603 auto-spike system. | |
| Illuminated Auto-Spike Warning Sign | | Replacement Components | |
| 1615-081..... | 1110.00 | 1603-550 LED Bulb, 10W, 1300 Lumens..... | 26.20 |
| <ul style="list-style-type: none"> Use this sign with the 1603 auto-spike system. Sign mounts on a 3.5 in (89 mm) post. | | | |
| Replacement Components | | | |
| 1615-022 LED T8 Tube, 12W, 700 Lumens..... | 69.60 | | |
| 1615-023 LED Flood Lamp, 9W, 655 Lumens..... | 122.00 | | |
| 1615-032 RED panel..... | 138.00 | | |
| 1615-034 GREEN panel..... | 138.00 | | |
| 1615-035 RED Auto-spike panel..... | 138.00 | | |

Overhead / Barrier Operator Parts & Replacement Items

Miscellaneous Parts & Accessories

| Circuit Boards | |
|---|--------|
| 1601-010 | 608.00 |
| Used in models 1601, 1602 and 1603 | |
| 4405-018 | 608.00 |
| Used in model 1175 | |
| 1473-010 | 312.00 |
| Convenience open circuit board | |
| 1473-121 Convenience Open kit..... | 332.00 |
| Used in pre-2016 models 1150, 1601, 1602 and 1603 | |

| Replacement Barrier Arms Yellow/Black Marking (These arms ARE NOT MUTCD compliant) | |
|---|--------|
| 1601-048 Wood Arm 14 Ft (4.27 m) | 208.00 |
| 1601-084 Folding Wood Arm..... | 392.00 |
| 1601-271 Plastic Arm 12 Ft (3.66 m)..... | 116.00 |
| 1601-083 Folding Plastic Arm | 392.00 |
| 1601-216 Aluminum Arm 14 Ft (4.27 m) | 274.00 |
| 1601-310 Folding Aluminum Arm..... | 482.00 |
| | |
| 1602-040 3-Piece, 20 Ft (6.09 m) wood | 430.00 |
| 1602-041 Hardware Kit for 1602-040 | 964.00 |

| Spike System Replacement Components | |
|--|-------|
| 1610-031 | 11.46 |
| Replacement spring for 1610-080 spike set | |
| 1610-030 | 29.80 |
| Replacement spike for 1610-080 spike set | |
| 1610-035 | 29.80 |
| Replacement spike for 1610-083 spike set | |
| 1610-037 | 29.80 |
| Spike spring lockdown assembly | |
| 1610-045 | 28.90 |
| Spike, weighted assembly | |

| Barrier Operator Replacement Parts | |
|---|--------|
| 1601-281 | 90.88 |
| Barrier arm hub cover | |
| 2599-101 | 20.32 |
| Replacement Warning Sign | |
| 1601-069..... | 40.14 |
| Wood arm mounting bracket | |
| 1601-068..... | 59.28 |
| Plastic arm mounting bracket | |
| 1601-202..... | 74.26 |
| Aluminum arm mounting bracket | |
| 1601-079..... | 138.00 |
| Arm mounting hub | |
| 1801-009..... | 87.16 |
| 12 Volt, 3 AH replacement battery | |

| Warning Sign Replacement Components | |
|---|--------|
| 1615-032 | 138.00 |
| Warning sign replacement panel – RED (use with 1610-080 warning sign) | |
| 1615-034 | 138.00 |
| Warning sign replacement panel – GREEN (use with 1610-080 warning sign) | |
| 1615-035 | 138.00 |
| Auto-spike warning sign replacement panel (use with 1610-081 warning sign) | |
| 1615-038..... | 138.00 |
| Warning Sign panel – Entrapment Alert | |
| | |
| 1615-022 | 69.60 |
| T8 LED Tube Lamp, 12 Watt, 700 Lumens (warning sign replacement bulbs) | |
| 1615-023 | 122.00 |
| LED Flood Lamp, 9 Watt, 655 Lumens | |
| 1603-550..... | 26.20 |
| LED Bulb 10W, 1300 Lumens (traffic signal replacement bulb) | |

Blank Page

6005, 6003, 6004, 6400 Operators

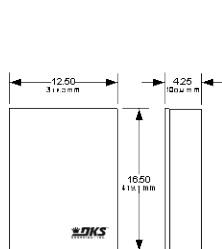
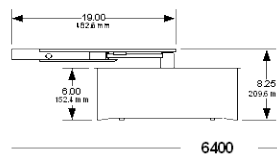
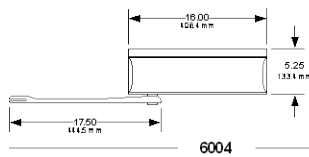
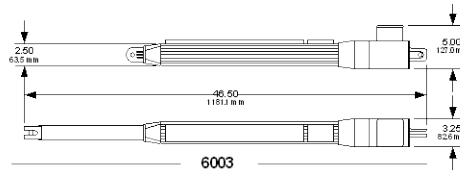
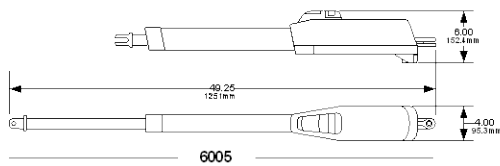
Residential

Operators

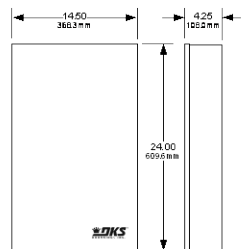
- 24 VDC continuous duty motor
- Built-in magnetic limit switches
- Slow-Start / Slow-Stop
- Small, compact designs

Control Box

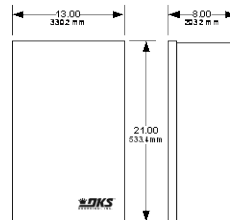
- 115 VAC or 24 VDC / Solar input power
- Includes batteries
- Single and Dual (bi-parting) gate operation
- 18 Ah or 35 Ah battery options



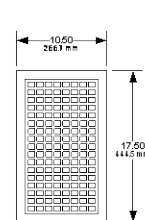
120 Volt AC
Standard Control Box



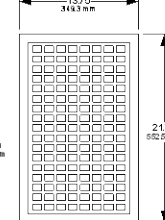
120 Volt AC
Deluxe Control Box



24 Volt DC
Solar Control Box



Solar Panel
24 VDC 10 W



Solar Panel
24 VDC 20 W

| Model | Max Gate Weight ¹ | Max Gate Length ¹ | Max Cycles per Day ² | Maximum Cycles on Backup Power ² | | |
|-------|------------------------------|------------------------------|---------------------------------|---|-------|-------|
| | | | | 3.5 Ah | 18 Ah | 35 Ah |
| 6005 | 500 lbs. (227 kg) | 14 ft. (4.26 m) | 100 | 100 | 600 | 1200 |
| 6003 | 300 lbs. (136 kg) | 10 ft. (3.05m) | 100 | 100 | 600 | 1200 |
| 6004 | 500 lbs. (227 kg) | 8 ft. (2.44 m) | 100 | 100 | 600 | 1200 |
| 6400 | 300 lbs. (136 kg) | 8 ft. (2.44 m) | 100 | 100 | 600 | 1200 |

1. Assumes gate to be in good condition and swinging in a level plane.
2. Cycles shown are for single operators when solar panel(s) are not providing a charge to the batteries. Actual number of cycles will vary depending on usage, accessories connected, gate weight, operating condition of gate, temperature, geographic location, weather (cloud coverage) and charge state of the batteries.

6005, 6003, 6004, 6400 Operators

Residential

Actuators

| | |
|---------------|---------|
| 6005-380..... | 1422.00 |
| 6003-380..... | 1034.00 |

Operators

| | |
|----------------------------|---------|
| 6004-380 Column Mount..... | 1548.00 |
| 6400-380 In-Ground..... | 1720.00 |

Entrapment Protection (required)

Use Type B1 (non-contact) and/or Type B2 (contact) entrapment protection devices to protect all areas where the risk of entrapment exist - see pages 42-43.

Actuator/Operator will not run without entrapment protection device(s) connected to the controller board.

Loops and Loop Detectors

See page 42 for a complete list of all loop detectors, prefabricated loops and loop accessories available.

Flange Bearing Hinge

| | |
|--|--------|
| 1200-009 3000 Lb. (1360 kg) Weight Capacity..... | 144.00 |
|--|--------|

Includes mounting bracket and hardware, two required per gate (top, bottom), designed for use with 2" (50.8 mm) gate frame.

Sealed Bearing Hinge

| | |
|--|--------|
| 1200-019 2000 Lb. (907 kg) Weight Capacity..... | 144.00 |
| 1200-039 3000 Lb. (1360 kg) Weight Capacity..... | 172.00 |

Includes mounting bracket and hardware, two required per gate (top, bottom), designed for use with round or square gate frames.

Torsion Rod Assembly

| | |
|---------------------------------------|--------|
| 1203-084..... | 332.00 |
| 2600-299 Additional Torsion Rods..... | 116.00 |

Counter-balances uphill swing gates, includes top bracket, bottom bracket and one (1) torsion rod. Up to five (5) additional torsion rods can be added.

115 VAC Control Box

| | |
|------------------------|--------|
| 4302-111 Standard..... | 790.00 |
| 4302-112 Deluxe..... | 952.00 |

Both Include two (2) 3.5 Ah batteries
Deluxe control box includes three (3) 115 VAC convenient outlets

Solar Control Box

| | |
|-------------------------------------|---------|
| 4302-113 (No batteries)..... | 952.00 |
| 4302-114 (Two 18 Ah batteries)..... | 1364.00 |
| 4302-115 (Two 35 Ah batteries)..... | 1478.00 |

Solar Panels

| | |
|--------------------------------|--------|
| 2000-076 24-Volt, 20-Watt..... | 688.00 |
|--------------------------------|--------|

Use with 35 Ah batteries

| | |
|--------------------------------|--------|
| 2000-077 24-Volt, 10-Watt..... | 346.00 |
|--------------------------------|--------|

Use with 18 Ah batteries

| | |
|---|-------|
| 2000-110 Solar Panel Mount Bracket..... | 58.78 |
|---|-------|

Batteries

| | |
|-------------------------------|--------|
| 1801-009 12-volt, 3.5 Ah..... | 87.16 |
| 1801-004 12-volt, 18 Ah..... | 208.00 |
| 1801-005 12-volt, 35 Ah..... | 264.00 |

Surge Suppression

| | |
|--------------------------------------|--------|
| 1879-080 High Voltage (120 VAC)..... | 148.00 |
|--------------------------------------|--------|

Bi-Parting (Dual) Gate Connection Cable

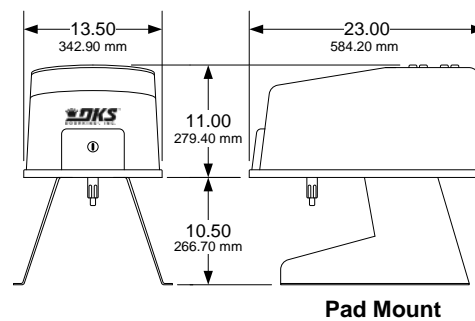
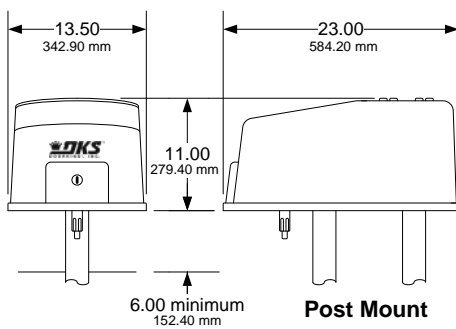
| | |
|---------------------------------|---------|
| 2600-755 30-Ft. (9.1 m)..... | 208.00 |
| 2600-756 40-Ft. (12.2 m)..... | 274.00 |
| 2600-757 50-Ft. (15.2 m)..... | 346.00 |
| 2600-754 500-Ft. (152.4 m)..... | 2752.00 |

6050 / 6100 Swing Gate Operators

Automatic Magnetic Limits

6050 / 6100

- Self-Adjusting Magnetic Limits
- Type A inherent reverse system
- Plug-in Loop Detector Ports
- Gate Tracker Data Output
- Built-in power and reset switches
- Tamper protect feature
- Polyurethane cover
- Galvanized steel frame
- Pad or Post mounted
- Opens gate 90° in approximately 12 sec.
- Magnetic lock output
- Overlap feature for bi-parting gates



| Model | Maximum Gate Weight | Maximum Gate Length | Mount Options ¹ | Class of Operation ² | Voltage | HP | Power Outlets | Maximum Cycles / Day | Loop Ports ⁴ | Adjustable Clutch ⁵ |
|-------|---------------------|---------------------|----------------------------|---------------------------------|---------|------------------|---------------|----------------------|-------------------------|--------------------------------|
| 6050 | 400 Lbs 181 KG | 10 Ft 3.05 m | Pad / Post | I | 115 VAC | 1/2 ³ | N/A | 100 | 2 | Yes |
| 6100 | 500 Lbs 226 KG | 14 Ft 4.26 m | Pad / Post | I, II | 115 VAC | 1/2 | N/A | Continuous | 2 | Yes |

1. Select pad or post mount hardware kit when ordering.
2. I = Residential; II = Commercial.
3. This is an intermittent duty cycle motor.
4. Plug-in loop detector ports; open and reverse. DoorKing plug-in loop detectors only.
5. Clutch is not applicable as an entrapment protection device.

6050 / 6100 Swing Gate Operators

Automatic Magnetic Limits

Step 1: Choose an Operator or Operator Set

| | |
|--|---------|
| 6050-380 Primary | 2432.00 |
| 6050-381 Secondary | 1800.00 |
| <i>Secondary operator includes 30 feet (9.1 m) of interconnection cable.</i> | |

| | |
|---|---------|
| 6100-380 Primary | 2670.00 |
| 6100-381 Secondary | 2042.00 |
| <i>Secondary operator includes 40 feet (12.2 m) of interconnection cable.</i> | |

Step 2: Choose a Mounting Kit (Includes Arms)

| | |
|-------------------------------|--------|
| 2600-671 Pad Mount Kit | 528.00 |
| 2600-674 Post Mount Kit | 436.00 |

Step 3: Choose Entrapment Protection (required) Devices

Use Type B1 (non-contact) and/or Type B2 (contact) entrapment protection devices to protect all areas where the risk of entrapment exist - see pages 42-43.

Operator will not run without entrapment protection device(s) connected to the controller board.

Loops and Loop Detectors

See page 42 for a complete list of all loop detectors, prefabricated loops and loop accessories available.

Post Mount Base Plate

| | |
|--|--------|
| 2600-664 | 172.00 |
| <i>Use to mount 6050 and 6100 operators onto an existing concrete pad.</i> | |

Surge Suppression

| | |
|---------------------------------------|--------|
| 1879-080 High Voltage (120 VAC) | 148.00 |
|---------------------------------------|--------|

Heater Kit

| | |
|---|--------|
| 1601-154 120 VAC | 460.00 |
| <i>Use if temperature routinely falls below 10°F (-12°C).</i> | |

Backup Power Inverters

| | |
|---|---------|
| 1000-080 1000 Watt, Modified Sine Wave | 1566.00 |
| <i>Includes one (1) 35 AH SLA battery and can power a single ½ HP operator. Use this version with DoorKing operators only.</i> | |
| 1000-082 1000 Watt, Pure Sine Wave | 2046.00 |
| <i>Includes two (2) 35 AH SLA batteries and can power up to two ½ HP operators or one (1) 1 HP operator. This version is suitable to be used with all brands of gate operators. See page 44 for more information.</i> | |

Bi-Parting (Dual) Gate Interconnection Cable

| | |
|----------------------------------|---------|
| 2600-755 30-Ft. (9.1 m) | 208.00 |
| 2600-756 40-Ft. (12.2 m) | 274.00 |
| 2600-757 50-Ft. (15.2 m) | 346.00 |
| 2600-754 500-Ft. (152.4 m) | 2752.00 |

Flange Bearing Hinge

| | |
|--|--------|
| 1200-009 3000 Lb. (1360 kg) Weight Capacity | 144.00 |
| <i>Includes mounting bracket and hardware, two required per gate (top, bottom), designed for use with 2" (50.8 mm) gate frame.</i> | |

Sealed Bearing Hinge

| | |
|--|--------|
| 1200-019 2000 Lb. (907 kg) Weight Capacity | 144.00 |
| 1200-039 3000 Lb. (1360 kg) Weight Capacity | 172.00 |
| <i>Includes mounting bracket and hardware, two required per gate (top, bottom), designed for use with round or square gate frames.</i> | |

Uphill Arm Pivot Assembly

| | |
|--|--------|
| 6500-490 | 228.00 |
| <i>Use with 1203-084 Torsion Rod Assembly.</i> | |

Torsion Rod Assembly

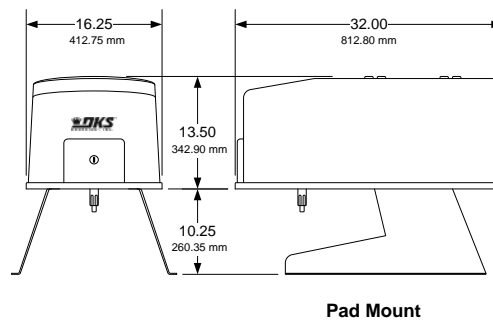
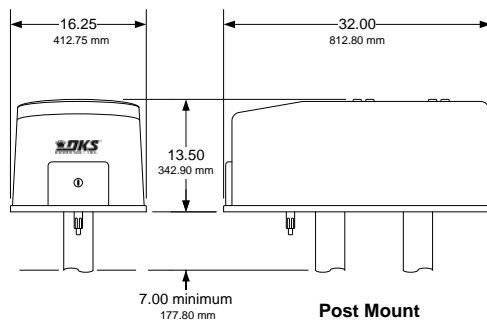
| | |
|--|--------|
| 1203-084 | 332.00 |
| 2600-299 Additional Torsion Rods | 116.00 |
| <i>Counter-balances uphill swing gates, includes top bracket, bottom bracket and one (1) torsion rod. Up to five (5) additional torsion rods can be added.</i> | |

6300 Swing Gate Operators

Automatic Magnetic Limits

6300

- Self-Adjusting Magnetic Limits
- Type A inherent reverse system
- Plug-in Loop Detector Ports
- Gate Tracker Data Output
- Built-in power and reset switches
- Tamper protect feature
- Polyurethane cover
- Galvanized steel frame
- Pad or Post mounted
- Opens gate 90° in approximately 16 sec.
- Magnetic lock output
- Overlap feature for bi-parting gates



| Model | Maximum Gate Weight | Maximum Gate Length | Mount Options ¹ | Class of Operation ² | Voltage ³ | HP | Power Outlets | Maximum Cycles / Day | Loop Ports ³ | Adjustable Clutch ⁴ |
|-------|---------------------|---------------------|----------------------------|---------------------------------|-------------------------------|-----|---------------|----------------------|-------------------------|--------------------------------|
| 6300 | 700 Lbs 317 KG | 18 Ft 5.48 m | Pad / Post | I, II, III, IV | 115 208 230 460 575 VAC | 1/2 | 2 | Continuous | 2 | Yes |
| 6300 | 800 Lbs 362 KG | 22 Ft 6.70 m | Pad / Post | I, II, III, IV | 115 208 230 460 575 VAC | 1 | 2 | Continuous | 2 | Yes |

1. Select pad or post mount hardware kit when ordering.
2. I = Residential; II = Commercial; III = Limited Access; IV = Restricted Access
3. High voltage kit (P/N 2600-266) required for 208 Volt and higher.
4. Plug-in loop detector ports; open and reverse. DoorKing plug-in loop detectors only.
5. Clutch is not applicable as an entrapment protection device.

6300 Swing Gate Operators

Automatic Magnetic Limits

Step 1: Choose an Operator or Operator Set

| | |
|--|---------|
| 6300-380 Primary ½ HP..... | 2980.00 |
| 6300-381 Secondary ½ HP | 2408.00 |
| | |
| 6300-384 Primary 1 HP | 3588.00 |
| 6300-385 Secondary 1 HP | 2960.00 |
| <i>Secondary operators includes 50 feet (15.2 m) of interconnection cable.</i> | |

High Voltage Kit

| | |
|---|--------|
| 2600-266..... | 610.00 |
| <i>Allows the operator to be powered from 208, 230, 460 or 575 VAC source voltage. In dual gate applications, only one (1) kit is required.</i> | |

Step 2: Choose a Mounting Kit (Includes Arms)

| | |
|-------------------------------|--------|
| 2600-264 Pad Mount Kit | 678.00 |
| 2600-263 Post Mount Kit | 678.00 |

Step 3: Choose Entrapment Protection (required) Devices

Use Type B1 (non-contact) and/or Type B2 (contact) entrapment protection devices to protect all areas where the risk of entrapment exist - see pages 42-43.

Operator will not run without entrapment protection device(s) connected to the controller board.

Loops and Loop Detectors

See page 42 for a complete list of all loop detectors, prefabricated loops and loop accessories available.

Surge Suppression

| | |
|--------------------------------------|--------|
| 1879-080 High Voltage (120 VAC)..... | 148.00 |
|--------------------------------------|--------|

Heater Kit

| | |
|---|--------|
| 1601-154 120 VAC..... | 460.00 |
| 1601-197 208 / 230 VAC | 964.00 |
| 1601-198 460 VAC..... | 964.00 |
| <i>Use if temperature routinely falls below 10°F (-12°C).</i> | |

Backup Power Inverters

| | |
|---|---------|
| 1000-080 1000 Watt, Modified Sine Wave | 1566.00 |
| <i>Includes one (1) 35 AH SLA battery and can power a single ½ HP operator. Use this version with DoorKing operators only.</i> | |
| 1000-082 1000 Watt, Pure Sine Wave | 2046.00 |
| <i>Includes two (2) 35 AH SLA batteries and can power up to two ½ HP operators or one (1) 1 HP operator. This version is suitable to be used with all brands of gate operators. See page 44 for more information.</i> | |

Bi-Parting (Dual) Gate Interconnection Cable

| | |
|---------------------------------|---------|
| 2600-755 30-Ft. (9.1 m)..... | 208.00 |
| 2600-756 40-Ft. (12.2 m)..... | 274.00 |
| 2600-757 50-Ft. (15.2 m)..... | 346.00 |
| 2600-754 500-Ft. (152.4 m)..... | 2752.00 |

Flange Bearing Hinge

| | |
|--|--------|
| 1200-009 3000 Lb. (1360 kg) Weight Capacity | 144.00 |
| <i>Includes mounting bracket and hardware, two required per gate (top, bottom), designed for use with 2" (50.8 mm) gate frame.</i> | |

Sealed Bearing Hinge

| | |
|--|--------|
| 1200-019 2000 Lb. (907 kg) Weight Capacity | 144.00 |
| 1200-039 3000 Lb. (1360 kg) Weight Capacity | 172.00 |
| <i>Includes mounting bracket and hardware, two required per gate (top, bottom), designed for use with round or square gate frames.</i> | |

Uphill Arm Pivot Assembly

| | |
|--|--------|
| 6500-490 | 228.00 |
| <i>Use with 1203-084 Torsion Rod Assembly.</i> | |

Torsion Rod Assembly

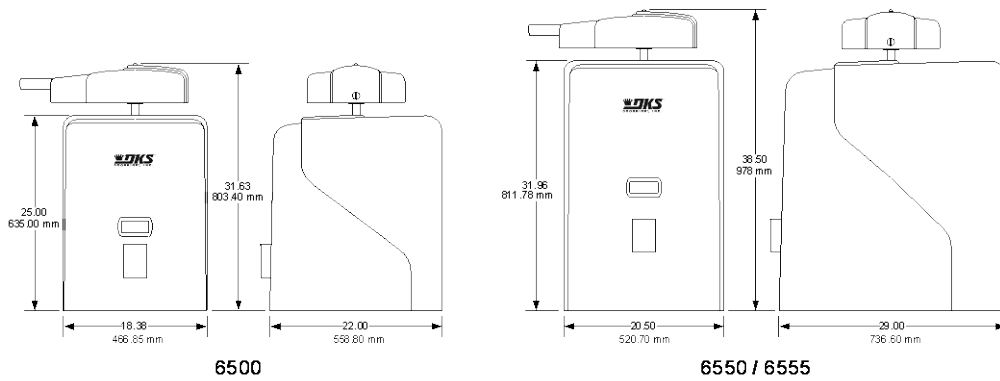
| | |
|--|--------|
| 1203-084 | 332.00 |
| 2600-299 Additional Torsion Rods | 116.00 |
| <i>Counter-balances uphill swing gates, includes top bracket, bottom bracket and one (1) torsion rod. Up to five (5) additional torsion rods can be added.</i> | |

6500 / 6550⁵ / 6555⁵ Swing Gate Operators

Adjustable Limit Swing Gate Operators

6500 / 6550⁵ / 6555⁵

- Adjustable Magnetic Limits
- Type A inherent reverse system
- Plug-in Loop Detector Ports
- Gate Tracker Data Output
- Built-in power and reset switches
- Polyurethane cover
- Galvanized steel frame
- Opens gate 90° in approximately 16 sec.
- Magnetic lock output
- Overlap feature for bi-parting gates



| Model | Maximum Gate Weight | Maximum Gate Length | Mount | Class of Operation ¹ | Voltage ² | HP | Power Outlets | Maximum Cycles / Day | Loop Ports ² | Adjustable Clutch |
|---------------------|---------------------|---------------------|-------|---------------------------------|-------------------------------|-----|---------------|----------------------|-------------------------|-------------------|
| 6500 | 700 Lbs 317 KG | 18 Ft 5.48 m | Pad | I, II, III, IV | 115 208 230 460 575 VAC | 1/2 | 2 | Continuous | 2 | No |
| 6500 | 800 Lbs 362 KG | 22 Ft 6.70 m | Pad | I, II, III, IV | 115 208 230 460 575 VAC | 1 | 2 | Continuous | 2 | No |
| 6550 ⁵ | 2000 Lbs 907 KG | 25 Ft 7.62 m | Pad | II, III, IV | 115 208 230 460 575 VAC | 1 | 2 | Continuous | 2 | No |
| 6555 ^{4,5} | 2000 Lbs 907 KG | 25 Ft 7.62 m | Pad | II, III, IV | 230 VAC | 1 | 2 | Continuous | 2 | No |

1. I = Residential; II = Commercial; III = Limited Access; IV = Restricted Access
2. High voltage kit (P/N 2600-266) required for 208 Volt and higher.
3. Plug-in loop detector ports; open and reverse. DoorKing plug-in loop detectors only.
4. This operator has a variable speed drive.
5. Models 6550 and 6555 are not listed to the UL 325 standard at this time.

6500 / 6550 / 6555 Swing Gate Operators

Adjustable Limit Swing Gate Operators

Step 1: Choose an Operator or Operator Set

| | |
|---|---------|
| 6500-380 Primary ½ HP..... | 3740.00 |
| 6500-381 Secondary ½ HP | 3098.00 |
| <i>Secondary operator includes 50 feet (15.2 m) of interconnection cable.</i> | |
| 6500-384 Primary 1 HP | 4276.00 |
| 6500-385 Secondary 1 HP | 3740.00 |
| <i>Secondary operator includes 50 feet (15.2 m) of interconnection cable.</i> | |
| 6550-380 Primary 1 HP | 4932.00 |
| 6550-384 Secondary 1 HP | 4322.00 |
| <i>Secondary operator includes 50 feet (15.2 m) of interconnection cable.</i> | |
| 6555-381 Primary 1 HP 230 VAC Variable Speed | 8410.00 |

High Voltage Kit

| | |
|---|--------|
| 2600-266..... | 610.00 |
| <i>Allows the operator to be powered from 208, 230, 460 or 575 VAC source voltage. In dual gate applications, only one (1) kit is required. Not available on 6555-081 operator.</i> | |

Step 2: Choose Entrapment Protection (required) Devices

Use Type B1 (non-contact) and/or Type B2 (contact) entrapment protection devices to protect all areas where the risk of entrapment exist - see pages 42-43.

Operator will not run without entrapment protection device(s) connected to the controller board.

Loops and Loop Detectors

See page 42 for a complete list of all loop detectors, prefabricated loops and loop accessories available.

Surge Suppression

| | |
|--------------------------------------|--------|
| 1879-080 High Voltage (120 VAC)..... | 148.00 |
|--------------------------------------|--------|

Heater Kit

| | |
|---|--------|
| 1601-154 120 VAC | 460.00 |
| 1601-197 208 / 230 VAC | 964.00 |
| 1601-198 460 VAC | 964.00 |
| <i>Use if temperature routinely falls below 10°F (-12°C).</i> | |

Backup Power Inverters

| | |
|---|---------|
| 1000-080 1000 Watt, Modified Sine Wave | 1566.00 |
| <i>Includes one (1) 35 AH SLA battery and can power a single ½ HP operator. Use this version with DoorKing operators only.</i> | |
| 1000-082 1000 Watt, Pure Sine Wave | 2046.00 |
| <i>Includes two (2) 35 AH SLA batteries and can power up to two ½ HP operators or one (1) 1 HP operator. This version is suitable to be used with all brands of gate operators. See page 44 for more information.</i> | |

Bi-Parting (Dual) Gate Interconnection Cable

| | |
|---------------------------------|---------|
| 2600-755 30-Ft. (9.1 m)..... | 208.00 |
| 2600-756 40-Ft. (12.2 m)..... | 274.00 |
| 2600-757 50-Ft. (15.2 m)..... | 346.00 |
| 2600-754 500-Ft. (152.4 m)..... | 2752.00 |

Flange Bearing Hinge

| | |
|--|--------|
| 1200-009 3000 Lb. (1360 kg) Weight Capacity | 144.00 |
| <i>Includes mounting bracket and hardware, two required per gate (top, bottom), designed for use with 2" (50.8 mm) gate frame.</i> | |

Sealed Bearing Hinge

| | |
|--|--------|
| 1200-019 2000 Lb. (907 kg) Weight Capacity | 144.00 |
| 1200-039 3000 Lb. (1360 kg) Weight Capacity | 172.00 |
| <i>Includes mounting bracket and hardware, two required per gate (top, bottom), designed for use with round or square gate frames.</i> | |

Uphill Arm Pivot Assembly

| | |
|--|--------|
| 6500-490 | 228.00 |
| <i>Use with 6500 operator and 1203-084 Torsion Rod Assembly.</i> | |
| 6550-490 | 228.00 |
| <i>Use with 6550 operator and 1203-084 Torsion Rod Assembly.</i> | |

Torsion Rod Assembly

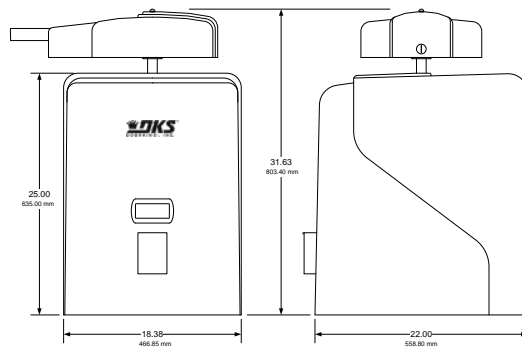
| | |
|--|--------|
| 1203-084 | 332.00 |
| 2600-299 Additional Torsion Rods | 116.00 |
| <i>Counter-balances uphill swing gates, includes top bracket, bottom bracket and one (1) torsion rod. Up to five (5) additional torsion rods can be added.</i> | |

6524 DC Swing Gate Operator

Adjustable Limit Swing Gate Operator

6524

- Input 115/230 VAC or 24 VDC (Solar)
- Adjustable Magnetic Limits
- Plug-in Loop Detector Ports
- Gate Tracker Data Output
- Built-in power and reset switches
- Built-in Battery Backup
- Galvanized steel frame
- Opens gate 90° in approximately 16 sec.
- Magnetic lock output
- Overlap feature for bi-parting gates



| Model | Maximum Gate Weight | Maximum Gate Length | Mount | Class of Operation ¹ | Voltage | HP | Power Outlets | Maximum Cycles / Day | Loop Ports ² | Adjustable Clutch |
|-------|---------------------|---------------------|-------|---------------------------------|----------------|-----|---------------|---------------------------|-------------------------|-------------------|
| 6524 | 800 Lbs 362 KG | 16 Ft 4.88 m | Pad | I, II, III, IV | 115/230 VAC | 1/2 | 2 | Continuous ^{3,4} | 2 | No |
| 6524 | 800 Lbs 362 KG | 16 Ft 4.88 m | Pad | I, II, III, IV | 24 VDC (Solar) | 1/2 | 0 | Up to 150 ⁴ | 2 | No |

1. I = Residential; II = Commercial; III = Limited Access; IV = Restricted Access
2. Plug-in loop detector ports; open and reverse. DoorKing plug-in loop detectors only.
3. Continuous operation is when AC power is present. Operation on battery backup (7.5 Ah batteries) is limited to approximately 40 cycles.
4. Up to 150 cycles with 18 Ah batteries. Actual number of cycles will vary depending on usage, accessories connected, gate weight, operating condition of gate, temperature and charge state of the batteries. Charge state of batteries is affected by geographical location of the product when using solar to recharge the batteries.

6524 DC Swing Gate Operators

Adjustable Limit Swing Gate Operator

Step 1: Choose an Operator

6524-380 115/230 VAC 3340.00
Includes two 7.5 Ah batteries for limited backup operation. Order 18 Ah batteries to extend the backup operation cycles.

6524-381 24 VDC (Solar) 3140.00
24 VDC solar input power only (supply your own batteries and solar charging system or use DKS solar kit).

Step 2: Choose Entrapment Protection (required) Devices

Use Type B1 (non-contact) and/or Type B2 (contact) entrapment protection devices to protect all areas where the risk of entrapment exist - see pages 42-43.

Operator will not run without entrapment protection device(s) connected to the controller board.

Battery / Solar Options

1801-004 12-Volt, 18 Ah Battery¹ 208.00
 2000-077 24-Volt, 10 Watt Solar Panel 346.00
 2000-070 Solar Kit² 810.00

1. Two required for 24 Volt operation.
2. Kit includes two (2) 18 Ah batteries, 10 Watt solar panel and bracket.

Loops and Loop Detectors

See page 42 for a complete list of all loop detectors, prefabricated loops and loop accessories available.

Surge Suppression

1879-080 High Voltage (120 VAC) 148.00

Heater Kit

6500-480 120 VAC 528.00
 1601-197 208 / 230 VAC 964.00
Use if temperature routinely falls below 10°F (-12°C). Cannot be used with solar powered operators.

Backup Power Inverters

1000-080 1000 Watt, Modified Sine Wave 1566.00
Includes one (1) 35 AH SLA battery and can power a single ½ HP operator. Use this version with DoorKing operators only.

1000-082 1000 Watt, Pure Sine Wave 2046.00
Includes two (2) 35 AH SLA batteries and can power up to two ½ HP operators or one (1) 1 HP operator. This version is suitable to be used with all brands of gate operators. See page 44 for more information.

Bi-Parting (Dual) Gate Interconnection Cable

2600-755 30-Ft. (9.1 m) 208.00
 2600-756 40-Ft. (12.2 m) 274.00
 2600-757 50-Ft. (15.2 m) 346.00
 2600-754 500-Ft. (152.4 m) 2752.00

Flange Bearing Hinge

1200-009 3000 Lb. (1360 kg) Weight Capacity 144.00
Includes mounting bracket and hardware, two required per gate (top, bottom), designed for use with 2" (50.8 mm) gate frame.

Sealed Bearing Hinge

1200-019 2000 Lb. (907 kg) Weight Capacity 144.00
 1200-039 3000 Lb. (1360 kg) Weight Capacity 172.00
Includes mounting bracket and hardware, two required per gate (top, bottom), designed for use with round or square gate frames.

Uphill Arm Pivot Assembly

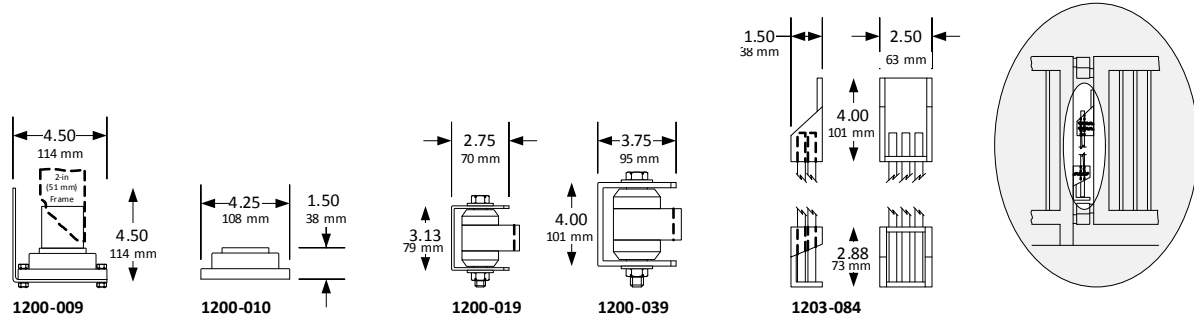
6500-490 228.00
Use with 6500 operator and 1203-084 Torsion Rod Assembly.

Torsion Rod Assembly

1203-084 332.00
 2600-299 Additional Torsion Rods 116.00
Counter-balances uphill swing gates, includes top bracket, bottom bracket and one (1) torsion rod. Up to five (5) additional torsion rods can be added.

Swing Gate Accessories

Hinges, Torsion Rod Counter-Balance



Flange Bearing Hinge

1200-009 3000 Lb. (1360 Kg) weight capacity138.00
 1200-010 Replacement bearing.....87.38

- Designed for use with 2 inch (51 mm) gate frame.
- Includes mounting bracket and hardware.
- Zert grease fitting.
- Two required (top, bottom) per gate.

Sealed Bearing Hinge

1200-019 2000 Lb. (907 Kg) weight capacity144.00
 1200-039 3000 Lb. (1360 Kg) weight capacity172.00

- Designed for use with round or square gate frame.
- Includes mounting bracket and hardware.
- Two required (top, bottom) per gate.

Torsion Rod Counter-Balance Assembly

1203-084¹ Torsion Rod Assembly332.00
 2600-299² Torsion Rods.....116.00

1. Includes one (1) 2600-299 torsion rod.
2. Up to five (5) additional rods can be added to the 1203-084 assembly.

Swing Gate Operator Parts & Accessories

Miscellaneous Parts & Accessories

| Circuit Boards | |
|--|--------|
| 4100-018 | 516.00 |
| Used in model 6524 | |
| 4302-018 | 574.00 |
| Used in models 6005, 6003, 6004 and 6400 | |
| 4405-018 | 608.00 |
| Used in model 6500, 6550 | |
| 4502-018 | 608.00 |
| Used in models 6050, 6100 and 6300 | |

| Base Plate, Mounting Pipes, Pivot Arm | |
|---|---------|
| 2600-664 Concrete Base Plate | 172.00 |
| Use to mount the 6050 or 6100 post mount operators onto an existing concrete pad | |
| 6500-490 Uphill Arm Pivot Assembly | 228.00 |
| Use with 6050, 6100, 6300 and 6500 operators when the gate opens on an uphill or downhill slope. Should be used with 1203-084 Torsion Rod Assembly. | |
| 6550-490 Uphill Arm Pivot Assembly | 228.00 |
| Use with 6550 operator when the gate opens on an uphill or downhill slope. Should be used with 1203-084 Torsion Rod Assembly. | |
| Bi-Parting Connection Cable | |
| 2600-754 Primary / Secondary Cable | 2752.00 |
| 500-ft (152.4 m) roll | |

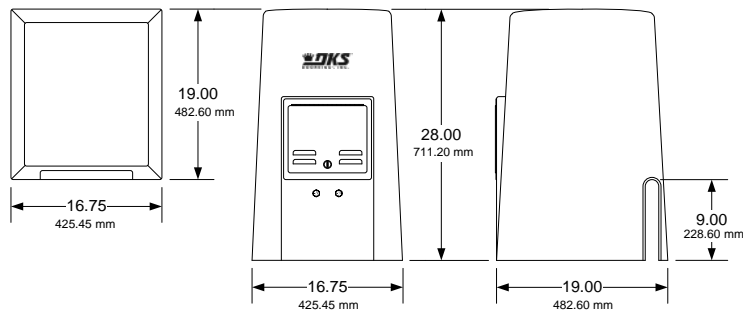
| Batteries | |
|------------------------|--------|
| 1801-009 Battery | 87.16 |
| 12 Volt, 3.5 Amp Hour | |
| 1801-004 Battery | 208.00 |
| 12 Volt, 18 Amp Hour | |
| 1801-005 Battery | 264.00 |
| 12 Volt, 35 Amp Hour | |

9000 Slide Gate Operators

Adjustable Limit Slide Gate Operator

9000

- Adjustable Limits
- Plug-in Loop Detector Ports
- Built-in power and reset switches
- Two 115 VAC convenience outlets
- Partial open / anti-tailgate feature
- 30:1 Gear Reducer Drive Train
- Steel frame
- Polyurethane cover
- 20-Foot (6 m) #40 Chain
- Gate tracker data output
- Selectable stop/ reverse function



| Model | Maximum Gate Weight | Maximum Gate Length | Mount | Class of Operation ¹ | Voltage ² | HP | Power Outlets | Maximum Cycles / Day | Loop Ports ² | Adjustable Clutch |
|-------|---------------------|---------------------|--------------------------|---------------------------------|----------------------------|-----|---------------|----------------------|-------------------------|-------------------|
| 9000 | 1000 Lbs 453 KG | 35 Ft 10.7 m | Pad or Post ⁴ | I, II | 115 208 230 460 575 VAC | 1/2 | 2 | Continuous | 2 | No |
| 9000 | 1500 Lbs 680 KG | 35 Ft 10.7 m | Pad or Post ³ | I, II, III, IV | 115 208 230 460 575 VAC | 1 | 2 | Continuous | 2 | No |

1. I = Residential; II = Commercial; III = Limited Access; IV = Restricted Access.
2. High voltage kit (P/N 2600-266) required for 208 Volt and higher.
3. Plug-in loop detector ports; open and reverse. DoorKing plug-in loop detectors only.
3. Requires post mounting kit.

9000 Slide Gate Operators

Adjustable Limit Slide Gate Operator

Choose an Operator

| | |
|---------------------------------------|---------|
| 9000-380 ½ HP Primary 115 VAC | 3258.00 |
| 9000-381 ½ HP Secondary 115 VAC | 2684.00 |
| 9000-385 1 HP Primary 115 VAC | 4060.00 |
| 9000-386 1 HP Secondary 115 VAC | 3372.00 |

High Voltage

| | |
|---------------------------------|--------|
| 2600-266 High Voltage Kit | 610.00 |
|---------------------------------|--------|

Allows the operator to be powered from 208, 230, 460 or 575 VAC source voltage.

Choose Entrapment Protection (required) Devices

Use Type B1 (non-contact) and/or Type B2 (contact) entrapment protection devices to protect all areas where the risk of entrapment exist - see pages 42-43.

Operator will not run without entrapment protection device(s) connected to the controller board.

Loops and Loop Detectors

See page 42 for a complete list of all loop detectors, prefabricated loops and loop accessories available.

Surge Suppression

| | |
|---------------------------------------|--------|
| 1879-080 High Voltage (120 VAC) | 148.00 |
|---------------------------------------|--------|

Accessories

| | |
|--|--------|
| 9000-015 Post Mount Kit ¹ | 630.00 |
| 2600-961 Chain Link Fence Gate Bracket | 77.98 |
| 1601-154 Heater Kit 120 VAC ² | 460.00 |
| 1601-197 Heater Kit 208/230 VAC ² | 964.00 |
| 1601-198 Heater Kit 480 VAC ² | 964.00 |

1. Includes base plate, mounting posts and hardware.
2. Use if temperature routinely falls below 10°F (-12°C).

Chain

| | |
|---------------------------------------|--------|
| 2600-442 #40 Chain, 20-Ft (6 m) | 148.00 |
|---------------------------------------|--------|

Backup Power Inverters

| | |
|--|---------|
| 1000-080 1000 Watt, Modified Sine Wave | 1566.00 |
|--|---------|

Includes one (1) 35 AH SLA battery and can power a single ½ HP operator. Use this version with DoorKing operators only.

| | |
|--|---------|
| 1000-082 1000 Watt, Pure Sine Wave | 2046.00 |
|--|---------|

Includes two (2) 35 AH SLA batteries and can power up to two ½ HP operators or one (1) 1 HP operator. This version is suitable to be used with all brands of gate operators. See page 44 for more information.

Bi-Parting (Dual) Gate Interconnection Cable

| | |
|----------------------------------|---------|
| 2600-755 30-Ft. (9.1 m) | 208.00 |
| 2600-756 40-Ft. (12.2 m) | 274.00 |
| 2600-757 50-Ft. (15.2 m) | 346.00 |
| 2600-754 500-Ft. (152.4 m) | 2752.00 |

Guarded Guide Rollers & Bracket Assembly

| | |
|--|--------|
| 1204-120 Single 3-in (76.2 mm) | 74.54 |
| 1204-122 Dual 3-in (76.2 mm) | 132.00 |
| 1204-121 Single 6-in (152.4 mm) | 91.72 |
| 1204-123 Dual 6-in (152.4 mm) | 162.00 |
| 1204-005 Replacement Roller 3-in (76.2 mm) | 17.20 |

See page 37 for more information.

V-Wheels - Max Gate Weight

| | |
|--|--------|
| 1201-102 UHMW 4-in (101.6 mm) 500 lb. (227 kg) | 75.68 |
| 1201-105 UHMW 4-in (101.6 mm) 750 lb. (340 kg) | 103.18 |
| 1201-117 Steel 4-in (101.6 mm) 1500 lb. (680 kg) | 138.00 |

See page 36 for more information.

V-Wheels Tandem – Max Gate Weight

| | |
|---|--------|
| 1201-012 UHMW 4-in (101.6 mm) 1500 lb. (680 kg) | 194.00 |
| 1201-010 Steel 4-in (101.6 mm) 3000 lb. (1360 kg) | 346.00 |
| 1201-210 Steel 6-in (152.4 mm) 5000 lb. (2268 kg) | 506.00 |

See page 36 for more information.

Chain Idler Assembly

| | |
|----------------|-------|
| 2600-818 | 97.46 |
|----------------|-------|

Use with rear-mounted operators.

End Catch

| | |
|----------------|-------|
| 1204-004 | 57.32 |
|----------------|-------|

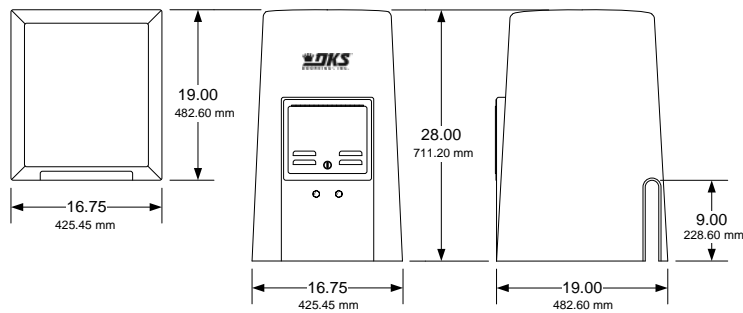
Designed for gates with 2-inch (50.8 mm) frame.

9024 DC Slide Gate Operator

Adjustable Limit Slide Gate Operator

9024

- Input 115/230 VAC or 24 VDC (Solar)
- Adjustable Limits
- Plug-in Loop Detector Ports
- Gate Tracker Data Output
- Built-in power and reset switches
- 20-Foot (6 m) #40 Chain
- 30:1 Gear Reducer Drive Train
- Built-in Battery Backup
- Galvanized steel frame
- Opens gate 90° in approximately 16 sec.
- Magnetic lock output
- Overlap feature for bi-parting gates



| Model | Maximum Gate Weight | Maximum Gate Length | Mount | Class of Operation ¹ | Voltage | HP | Power Outlets | Maximum Cycles / Day | Loop Ports ² | Adjustable Clutch |
|-------|---------------------|---------------------|--------------------------|---------------------------------|----------------|-----|---------------|---------------------------|-------------------------|-------------------|
| 9024 | 1000 Lbs 453 KG | 40 Ft 12.2 m | Pad or Post ⁵ | I, II, III, IV | 115/230 VAC | 1/2 | 2 | Continuous ^{3,4} | 2 | No |
| 9024 | 1000 Lbs 453 KG | 40 Ft 12.2 m | Pad or Post ⁵ | I, II, III, IV | 24 VDC (Solar) | 1/2 | 0 | Up to 150 ⁴ | 2 | No |

1. I = Residential; II = Commercial; III = Limited Access; IV = Restricted Access
2. Plug-in loop detector ports; open and reverse. DoorKing plug-in loop detectors only.
3. Continuous operation is when AC power is present. Operation on battery backup (7.5 Ah batteries) is limited to approximately 40 cycles.
4. Up to 150 cycles with 18 Ah batteries. Actual number of cycles will vary depending on usage, accessories connected, gate weight, operating condition of gate, temperature and charge state of the batteries. Charge state of batteries is affected by geographical location of the product when using solar to recharge the batteries.
5. Requires post mounting kit.

9024 DC Slide Gate Operator

Adjustable Limit Slide Gate Operator

Choose an Operator

9024-380 115/230 VAC 2920.00
Includes two 7.5 Ah batteries for limited backup operation. Order 18 Ah batteries to extend the backup operation cycles.

9024-381 24 VDC (Solar) 2720.00
24 VDC solar input power only (supply your own batteries and solar charging system or use DKS solar kit).

Choose Entrapment Protection (required) Devices

Use Type B1 (non-contact) and/or Type B2 (contact) entrapment protection devices to protect all areas where the risk of entrapment exist - see pages 42-43.

Operator will not run without entrapment protection device(s) connected to the controller board.

Battery / Solar Options

1801-004 12-Volt, 18 Ah Battery¹ 208.00
 2000-077 24-Volt, 10 Watt Solar Panel 346.00
 2000-070 Solar Kit² 810.00

1. Two required for 24 Volt operation.
2. Kit includes two (2) 18 Ah batteries, 10 Watt solar panel and bracket.

Loops and Loop Detectors

See page 42 for a complete list of all loop detectors, prefabricated loops and loop accessories available.

Surge Suppression

1879-080 High Voltage (120 VAC) 148.00

Accessories

9000-015 Post Mount Kit¹ 630.00
 2600-961 Chain Link Fence Gate Bracket 77.98
 1601-154 Heater Kit 120 VAC² 460.00
 1601-197 Heater Kit 208/230 VAC² 964.00
 1601-198 Heater Kit 480 VAC² 964.00

1. Includes base plate, mounting posts and hardware.
2. Use if temperature routinely falls below 10°F (-12°C).

Chain

2600-442 #40 Chain, 20-Ft (6 m) 148.00

Backup Power Inverters

1000-080 1000 Watt, Modified Sine Wave 1566.00
Includes one (1) 35 AH SLA battery and can power a single ½ HP operator. Use this version with DoorKing operators only.

1000-082 1000 Watt, Pure Sine Wave 2046.00
Includes two (2) 35 AH SLA batteries and can power up to two ½ HP operators or one (1) 1 HP operator. This version is suitable to be used with all brands of gate operators. See page 44 for more information.

Bi-Parting (Dual) Gate Interconnection Cable

2600-755 30-Ft. (9.1 m) 208.00
 2600-756 40-Ft. (12.2 m) 274.00
 2600-757 50-Ft. (15.2 m) 346.00
 2600-754 500-Ft. (152.4 m) 2752.00

Guarded Guide Rollers & Bracket Assembly

1204-120 Single 3-in (76.2 mm) 74.54
 1204-122 Dual 3-in (76.2 mm) 132.00
 1204-121 Single 6-in (152.4 mm) 91.72
 1204-123 Dual 6-in (152.4 mm) 162.00
 1204-005 Replacement Roller 3-in (76.2 mm) 17.20

See page 37 for more information.

V-Wheels - Max Gate Weight

1201-102 UHMW 4-in (101.6 mm) 500 lb. (227 kg) 75.68
 1201-105 UHMW 4-in (101.6 mm) 750 lb. (340 kg) 103.18
 1201-117 Steel 4-in (101.6 mm) 1500 lb. (680 kg) 138.00

See page 36 for more information.

V-Wheels Tandem – Max Gate Weight

1201-012 UHMW 4-in (101.6 mm) 1500 lb. (680 kg) 194.00
 1201-010 Steel 4-in (101.6 mm) 3000 lb. (1360 kg) 346.00
 1201-210 Steel 6-in (152.4 mm) 5000 lb. (2268 kg) 506.00

See page 36 for more information.

Chain Idler Assembly

2600-818 97.46
Use with rear-mounted operators.

End Catch

1204-004 57.32
Designed for gates with 2-inch (50.8 mm) frame.

9050 / 9100 Slide Gate Operators

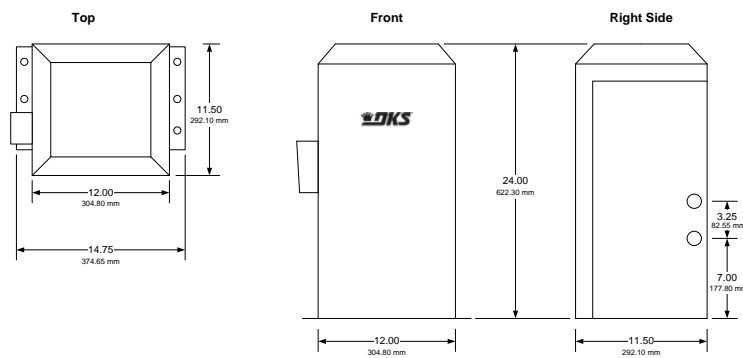
Automatic Magnetic Limits

9050 / 9100

- Self-Adjusting Magnetic Limits
- Built-in clutch
- Plug-in Loop Detector Ports
- Built-in power and reset switches
- Two 115 VAC convenience outlets
- Fail-Safe Configuration

9100

- G90 Galvanized steel frame
- Steel cover
- 20-Feet (6 m) #40 Chain
- Gate tracker data output (9100 only)
- Selectable stop/ reverse function (9100 only)
- Partial open / anti-tailgate feature (9100 only)



| Model | Maximum Gate Weight | Maximum Gate Length | Mount | Class of Operation ¹ | Voltage | HP | Power Outlets | Maximum Cycles / Day | Loop Ports ² | Adjustable Clutch ³ |
|-------|---------------------|---------------------|--------------------------|---------------------------------|---------|------------------|---------------|----------------------|-------------------------|--------------------------------|
| 9050 | 500 Lbs 227 KG | 16 Ft 4.88 m | Pad or Post ⁴ | I | 115 VAC | 1/2 ⁵ | 2 | 100 | 2 | Yes |
| 9100 | 1000 Lbs 453 KG | 30 Ft 9.14 m | Pad or Post ⁴ | I, II, III, IV | 115 VAC | 1/2 | 2 | Continuous | 2 | Yes |

1. I = Residential; II = Commercial; III = Limited Access; IV = Restricted Access
2. Plug-in loop detector ports; open and reverse. DoorKing plug-in loop detectors only.
3. Clutch is not applicable as an entrapment protection device.
4. Requires post mount steel base plate.
5. This is an intermittent duty cycle motor.

9050 / 9100 Slide Gate Operators

Automatic Magnetic Limits

Choose an Operator

| | |
|---------------------|---------|
| 9050-380 ½ HP | 1890.00 |
| 9100-380 ½ HP | 2752.00 |

Choose Entrapment Protection (required) Devices

Use Type B1 (non-contact) and/or Type B2 (contact) entrapment protection devices to protect all areas where the risk of entrapment exist - see pages 42-43.

Operator will not run without entrapment protection device(s) connected to the controller board.

Loops and Loop Detectors

See page 42 for a complete list of all loop detectors, prefabricated loops and loop accessories available.

Surge Suppression

| | |
|---------------------------------------|--------|
| 1879-080 High Voltage (120 VAC) | 148.00 |
|---------------------------------------|--------|

Accessories

| | |
|---|--------|
| 2600-418 Steel Base Plate | 86.00 |
| 2600-970 Base Plate Stop Bracket ¹ | 57.32 |
| 2600-862 Fail-Secure Lock Kit ² | 29.80 |
| 2600-961 Chain Link Fence Gate Bracket | 77.98 |
| 1601-154 Heater Kit 120 VAC ³ | 460.00 |

1. Use with 2600-418 base plate.
2. Operators come standard in a Fail-Safe configuration.
3. Use if temperature routinely falls below 10°F (-12°C).

Chain

| | |
|--|--------|
| 2600-442 #40 Chain, 20-Ft (6 m) | 148.00 |
| 2600-271 Chain Stop #40, #41 Chain | 28.68 |

Backup Power Inverters

| | |
|--|---------|
| 1000-080 1000 Watt, Modified Sine Wave | 1566.00 |
| <i>Includes one (1) 35 AH SLA battery and can power a single ½ HP operator. Use this version with DoorKing operators only.</i> | |
| 1000-082 1000 Watt, Pure Sine Wave | 2046.00 |

Includes two (2) 35 AH SLA batteries and can power up to two ½ HP operators or one (1) 1 HP operator. This version is suitable to be used with all brands of gate operators. See page 44 for more information.

Bi-Parting (Dual) Gate Interconnection Cable

| | |
|----------------------------------|---------|
| 2600-755 30-Ft. (9.1 m) | 208.00 |
| 2600-756 40-Ft. (12.2 m) | 274.00 |
| 2600-757 50-Ft. (15.2 m) | 346.00 |
| 2600-754 500-Ft. (152.4 m) | 2752.00 |

Guarded Guide Rollers & Bracket Assembly

| | |
|--|--------|
| 1204-120 Single 3-in (76.2 mm) | 74.54 |
| 1204-122 Dual 3-in (76.2 mm) | 132.00 |
| 1204-121 Single 6-in (152.4 mm) | 91.72 |
| 1204-123 Dual 6-in (152.4 mm) | 162.00 |
| 1204-005 Replacement Roller 3-in (76.2 mm) | 17.20 |

See page 37 for more information.

V-Wheels - Max Gate Weight

| | |
|--|--------|
| 1201-102 UHMW 4-in (101.6 mm) 500 lb. (227 kg) | 75.68 |
| 1201-105 UHMW 4-in (101.6 mm) 750 lb. (340 kg) | 103.18 |
| 1201-117 Steel 4-in (101.6 mm) 1500 lb. (680 kg) | 138.00 |

See page 36 for more information.

V-Wheels Tandem – Max Gate Weight

| | |
|---|--------|
| 1201-012 UHMW 4-in (101.6 mm) 1500 lb. (680 kg) ... | 194.00 |
| 1201-010 Steel 4-in (101.6 mm) 3000 lb. (1360 kg) | 346.00 |
| 1201-210 Steel 6-in (152.4 mm) 5000 lb. (2268 kg) | 506.00 |

See page 36 for more information.

Chain Idler Assembly

| | |
|----------------|-------|
| 2600-818 | 97.46 |
|----------------|-------|

Use with rear-mounted operators.

End Catch

| | |
|----------------|-------|
| 1204-004 | 57.32 |
|----------------|-------|

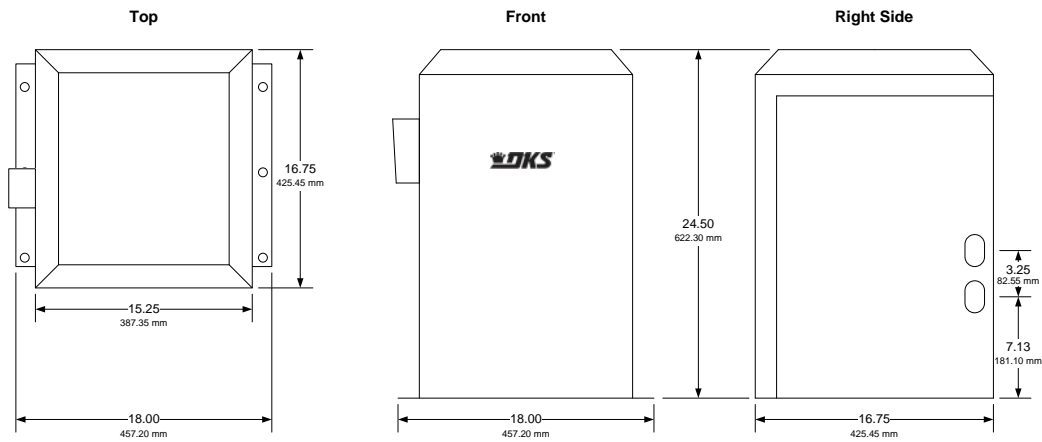
Designed for gates with 2-inch (50.8 mm) frame.

9150 Slide Gate Operators

Automatic Magnetic Limits

9150

- Self-Adjusting Magnetic Limits
- Built-in clutch
- Plug-in Loop Detector Ports
- Built-in power and reset switches
- Two 115 VAC convenience outlets
- Fail-Safe Configuration
- G90 Galvanized steel frame
- Steel cover
- 20-Foot (6 m) #40 Chain
- Gate tracker data output
- Selectable stop/ reverse function
- Partial open / anti-tailgate feature



| Model | Maximum Gate Weight | Maximum Gate Length | Mount | Class of Operation ¹ | Voltage ² | HP | Power Outlets | Maximum Cycles / Day | Loop Ports ² | Adjustable Clutch ³ |
|-------|---------------------|---------------------|--------------------------|---------------------------------|-------------------------------|-----|---------------|----------------------|-------------------------|--------------------------------|
| 9150 | 1000 Lbs 454 KG | 30 Ft 9.14 m | Pad or Post ⁴ | I, II, III, IV | 115 208 230 460 575 VAC | 1/2 | 2 | Continuous | 2 | Yes |
| 9150 | 1500 Lbs 680 KG | 45 Ft 13.7 m | Pad or Post ⁴ | I, II, III, IV | 115 208 230 460 575 VAC | 1 | 2 | Continuous | 2 | Yes |

1. I = Residential; II = Commercial; III = Limited Access; IV = Restricted Access.
2. High voltage kit (P/N 2600-266) required for 208 Volt and higher.
3. Plug-in loop detector ports; open and reverse. DoorKing plug-in loop detectors only.
4. Clutch is not applicable as an entrapment protection device.
5. Requires post mount steel base plate.

9150 Slide Gate Operators

Automatic Magnetic Limits

Choose an Operator

| | |
|---------------------|---------|
| 9150-384 ½ HP | 2946.00 |
| 9150-380 1 HP..... | 3554.00 |

High Voltage

| | |
|---------------------------------|--------|
| 2600-266 High Voltage Kit | 610.00 |
|---------------------------------|--------|

Allows the operator to be powered from 208, 230, 460 or 575 VAC source voltage.

Choose Entrapment Protection (required) Devices

Use Type B1 (non-contact) and/or Type B2 (contact) entrapment protection devices to protect all areas where the risk of entrapment exist - see pages 42-43.

Operator will not run without entrapment protection device(s) connected to the controller board.

Loops and Loop Detectors

See page 42 for a complete list of all loop detectors, prefabricated loops and loop accessories available.

Surge Suppression

| | |
|---------------------------------------|--------|
| 1879-080 High Voltage (120 VAC) | 148.00 |
|---------------------------------------|--------|

Accessories

| | |
|---|--------|
| 2600-495 Steel Base Plate..... | 288.00 |
| 2600-970 Base Plate Stop Bracket ¹ | 57.32 |
| 2600-865 Fail-Secure Lock Kit ² | 36.70 |
| 2600-961 Chain Link Fence Gate Bracket..... | 77.98 |
| 1601-154 Heater Kit 120 VAC ³ | 460.00 |
| 1601-197 Heater Kit 208/230 VAC ³ | 964.00 |
| 1601-198 Heater Kit 480 VAC ³ | 964.00 |

1. Use with 2600-495 base plate.
2. Operators come standard in a Fail-Safe configuration.
3. Use if temperature routinely falls below 10°F (-12°C).

Chain

| | |
|--|--------|
| 2600-442 #40 Chain, 20-Ft (6 m)..... | 148.00 |
| 2600-271 Chain Stop #40, #41 Chain | 28.68 |

Backup Power Inverters

| | |
|--|---------|
| 1000-080 1000 Watt, Modified Sine Wave | 1566.00 |
|--|---------|

Includes one (1) 35 AH SLA battery and can power a single ½ HP operator. Use this version with DoorKing operators only.

| | |
|--|---------|
| 1000-082 1000 Watt, Pure Sine Wave | 2046.00 |
|--|---------|

Includes two (2) 35 AH SLA batteries and can power up to two ½ HP operators or one (1) 1 HP operator. This version is suitable to be used with all brands of gate operators. See page 44 for more information.

Bi-Parting (Dual) Gate Interconnection Cable

| | |
|---------------------------------|---------|
| 2600-755 30-Ft. (9.1 m)..... | 208.00 |
| 2600-756 40-Ft. (12.2 m)..... | 274.00 |
| 2600-757 50-Ft. (15.2 m)..... | 346.00 |
| 2600-754 500-Ft. (152.4 m)..... | 2752.00 |

Guarded Guide Rollers & Bracket Assembly

| | |
|--|--------|
| 1204-120 Single 3-in (76.2 mm) | 74.54 |
| 1204-122 Dual 3-in (76.2 mm) | 132.00 |
| 1204-121 Single 6-in (152.4 mm) | 91.72 |
| 1204-123 Dual 6-in (152.4 mm) | 162.00 |
| 1204-005 Replacement Roller 3-in (76.2 mm) | 17.20 |

See page 37 for more information.

V-Wheels - Max Gate Weight

| | |
|--|--------|
| 1201-102 UHMW 4-in (101.6 mm) 500 lb. (227 kg) | 75.68 |
| 1201-105 UHMW 4-in (101.6 mm) 750 lb. (340 kg) | 103.18 |
| 1201-117 Steel 4-in (101.6 mm) 1500 lb. (680 kg) | 138.00 |

See page 36 for more information.

V-Wheels Tandem – Max Gate Weight

| | |
|---|--------|
| 1201-012 UHMW 4-in (101.6 mm) 1500 lb. (680 kg) ... | 194.00 |
| 1201-010 Steel 4-in (101.6 mm) 3000 lb. (1360 kg) | 346.00 |
| 1201-210 Steel 6-in (152.4 mm) 5000 lb. (2268 kg) | 506.00 |

See page 36 for more information.

Chain Idler Assembly

| | |
|----------------|-------|
| 2600-818 | 97.46 |
|----------------|-------|

Use with rear-mounted operators.

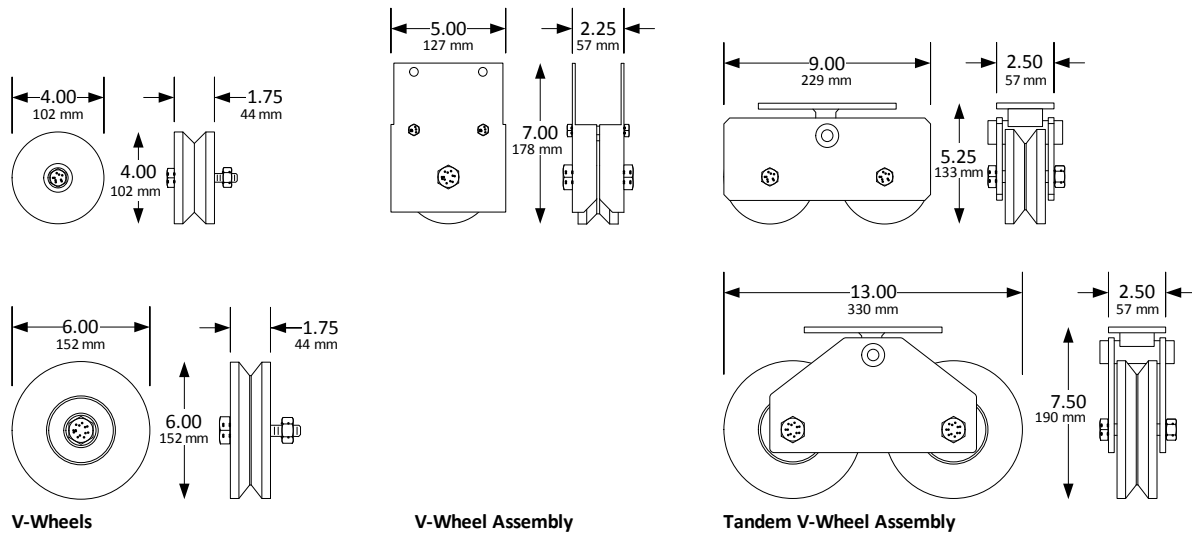
End Catch

| | |
|----------------|-------|
| 1204-004 | 57.32 |
|----------------|-------|

Designed for gates with 2-inch (50.8 mm) frame.

Slide Gate Accessories

V-Wheels



4-Inch (102 mm) V-Wheels

| | |
|---------------------------------------|--------|
| 1201-004 UHMW w/sleeve bearing..... | 41.28 |
| • 500 Lb. (226 Kg) maximum weight | |
| 1201-006 UHMW w/sealed bearing | 57.32 |
| • 750 Lb. (340 Kg) maximum weight | |
| 1201-016 Steel w/sealed bearing | 103.18 |
| • 1500 Lb. (680 Kg) maximum weight | |

4-Inch (102 mm) V-Wheel Assemblies¹

| | |
|---------------------------------------|--------|
| 1201-102 UHMW w/sleeve bearing..... | 75.68 |
| • 500 Lb. (226 Kg) maximum weight | |
| 1201-105 UHMW w/sealed bearing | 103.18 |
| • 750 Lb. (340 Kg) maximum weight | |
| 1201-117 Steel w/sealed bearing | 138.00 |
| • 1500 Lb. (680 Kg) maximum weight | |

1. Assemblies include wheel guarding as required by industry safety standards.

4-Inch (102 mm) Tandem V-Wheel Assemblies

| | |
|---------------------------------------|--------|
| 1201-012 UHMW w/sealed bearing | 194.00 |
| • 1500 Lb. (680 Kg) maximum weight | |
| 1201-010 Steel w/sealed bearing | 346.00 |
| • 3000 Lb. (1360 Kg) maximum weight | |

6-Inch (152 mm) V-Wheels

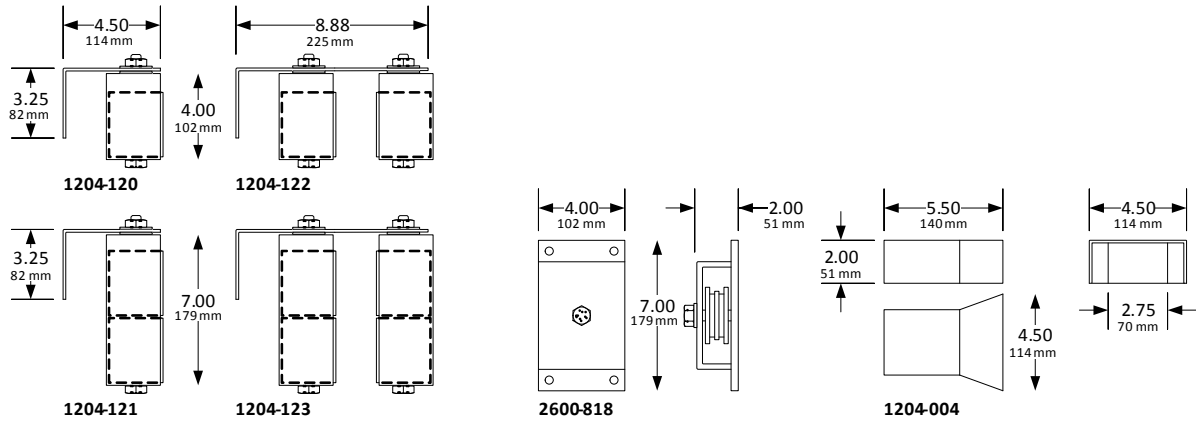
| | |
|---------------------------------------|--------|
| 1201-000 Steel w/sealed bearing | 202.00 |
| • 2500 Lb. (1133 Kg) maximum weight | |

6-Inch (152 mm) Tandem V-Wheel Assembly

| | |
|---------------------------------------|--------|
| 1201-210 Steel w/sealed bearing | 506.00 |
| • 5000 Lb. (2267 Kg) maximum weight | |

Slide Gate Accessories

Guide Rollers, Chain Idler, End Catch



| 3-Inch (76 mm) Guide Roller Assemblies¹ | |
|---|--------|
| 1204-120 Single | 74.54 |
| 1204-122 Dual | 132.00 |
| 1. Assemblies include roller guarding as required by industry safety standards. | |
| 6-Inch (152 mm) Guide Roller Assemblies¹ | |
| 1204-121 Single | 91.72 |
| 1204-123 Dual | 162.00 |
| 1. Assemblies include roller guarding as required by industry safety standards. | |
| 3-Inch (76 mm) Replacement Roller | |
| 1204-005..... | 17.20 |

| Chain Idler Assembly | |
|--|-------|
| 2600-818..... | 97.46 |
| <ul style="list-style-type: none"> Use this with rear-mounted slide gate operators. Works with #40 and #41 chain. | |
| End Catch | |
| 1204-004..... | 57.32 |
| <ul style="list-style-type: none"> Use with 2-inch (51 mm) gate frame. | |

Slide Gate Operator Parts & Accessories

Miscellaneous Parts & Accessories

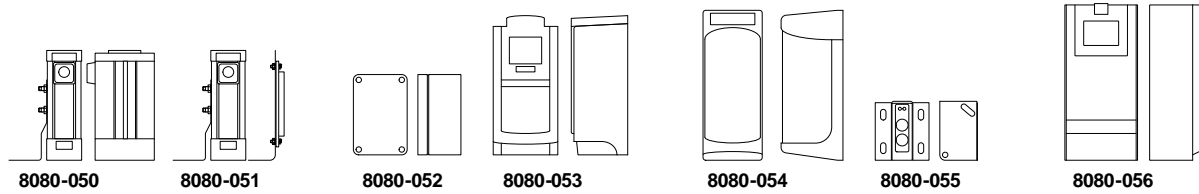
| Circuit Boards | |
|---------------------------|--------|
| 4100-018 | 516.00 |
| Used in model 9024 | |
| 4405-018 | 608.00 |
| Used in model 9000 | |
| 4602-018 | 744.00 |
| Used in models 9100, 9150 | |
| 4702-018 | 516.00 |
| Used in models 9050 | |

| Chain | |
|--|---------|
| 2600-441 #41 Chain – 20 Ft (6 m)..... | 116.00 |
| 2600-442 #40 Chain – 20 Ft (6 m)..... | 148.00 |
| 2600-271 Chain Stop for #40 and #41 Chain..... | 28.68 |
| 2600-961 Chain Link Fence Gate Bracket..... | 77.98 |
| Base Plates | |
| 2600-418 Steel Base Plate | 86.00 |
| Use with 9050 and 9100 operators | |
| 2600-495 Steel Base Plate | 288.00 |
| Use with 9150 operator | |
| 2600-970 Base Plate Stop Bracket | 57.32 |
| Use with 2600-418 and 2600-495 | |
| Bi-Parting Connection Cable | |
| 2600-754 Primary / Secondary Cable | 2752.00 |
| 500-ft (152.4 m) roll | |

Blank Page

Entrapment Prevention Devices

Non-contact Sensors Type B1

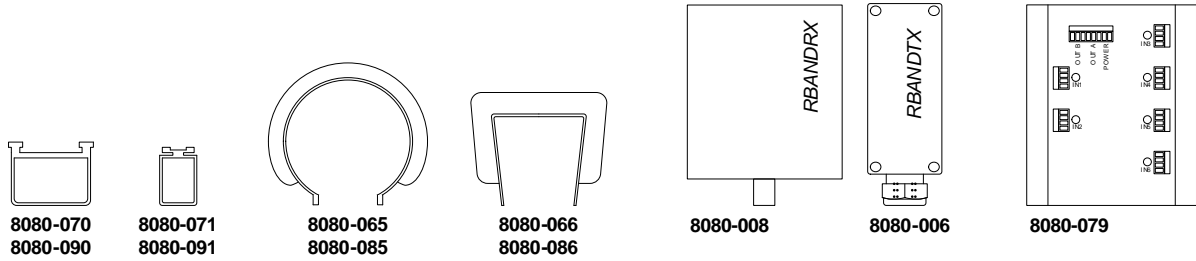


| Thru-Beam Devices | |
|--|--------|
| 8080-050 (ME-PG) | 520.00 |
| <ul style="list-style-type: none"> • 50 Ft. (15 m) maximum sensing distance. • Receiver 7-30 VAC / 10-42 VDC. • Transmitter 1.5 VDC (2 AA Lithium batteries). | |
| 8080-052 (EMX MON) | 520.00 |
| <ul style="list-style-type: none"> • 115 Ft. (35 m) maximum sensing distance. • 12-24 VAC / 6-35 VDC. • Includes hood. | |
| 8080-054 (Seco-Larm E960-D90GQ)..... | 520.00 |
| <ul style="list-style-type: none"> • 90 Ft. (27 m) maximum sensing distance. • 12-30 VAC / VDC. | |

| Photo-Reflective Devices | |
|--|--------|
| 8080-051 (ME-RG) | 478.00 |
| <ul style="list-style-type: none"> • 30 Ft. (9 m) maximum sensing distance. • Receiver 7-30 VAC / 10-42 VDC. | |
| 8080-053 (EMX IRB-RET)..... | 478.00 |
| <ul style="list-style-type: none"> • 60 Ft. (18 m) maximum sensing distance. • 12-24 VAC / 6-35 VDC. | |
| 8080-055 (Seco-Larm E936-S45RRGQ)..... | 478.00 |
| <ul style="list-style-type: none"> • 45 Ft. (14 m) maximum sensing distance. • 12-30 VAC / VDC. | |
| 8080-056 (Omron E3K) | 478.00 |
| <ul style="list-style-type: none"> • 33 Ft. (10 m) maximum sensing distance. • 24-240 VAC / VDC. | |

Entrapment Prevention Devices

Contact Sensors Type B2

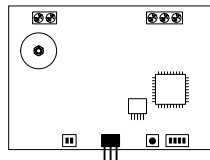


| 2-Wire Contact Edge with 10K Termination | |
|---|--------|
| 8080-071 6 Ft. (1.8 m) ME111-T2 | 366.00 |
| • Ideal for barrier arms, includes mounting channel. | |
| 8080-070 5 Ft. (1.5 m) ME123-T2 | 366.00 |
| • Includes mounting channel. | |
| 8080-065 5 Ft. (1.5 m) MGR20-T2..... | 402.00 |
| • Fits on 2 in (51 mm) round post. | |
| 8080-066 5 Ft. (1.5 m) MGS20-T2..... | 402.00 |
| • Fits on 2 in (51 mm) square post. | |
| 4-Wire Contact Edge ¹ | |
| 8080-091 6 Ft. (1.8 m) ME111 | 366.00 |
| • Ideal for barrier arms, includes mounting channel. | |
| 8080-090 5 Ft. (1.5 m) ME123 | 366.00 |
| • Includes mounting channel. | |
| 8080-085 5 Ft. (1.5 m) MGR20..... | 402.00 |
| • Fits on 2 in (51 mm) round post. | |
| 8080-086 5 Ft. (1.5 m) MGS20..... | 402.00 |
| • Fits on 2 in (51 mm) square post. | |
| 1. 4-wire edges do not have 10K termination and are designed to be used wired in series with the 2-wire T2 edges. | |

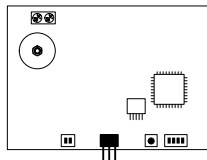
| Contact Sensor Accessories | |
|--|--------|
| 8080-079 (MIM-62)..... | 828.00 |
| • Monitors up to six (6) external contact edges. | |
| 8080-008 Wireless Monitored Link (RB-G-K10) ¹ | 500.00 |
| • Receiver: 12-24 VAC / VDC. | |
| • Transmitter: 3.6 VDC / 2 AA Lithium. | |
| • Receiver can monitor up to six (6) edges. | |
| 1. Kit includes receiver and one (1) RB-TX-10 transmitter. | |
| 8080-006 Monitored Transmitter (RB-TX-10) | 250.00 |

Vehicle Protection

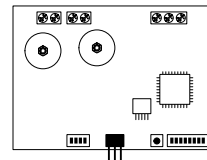
Loop Detectors and Loops



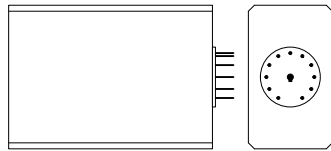
9411-010



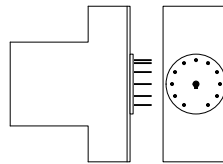
9410-010 / 9416-010



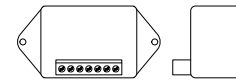
9409-010 / 9415-010



9402-045 / 9402-047



9402-044



9402-050

DKS Plug-In Loop Detectors

| | |
|--|--------|
| 9411-010 Single Channel + Aux Relay | 238.00 |
| 9410-010 Single Channel | 220.00 |
| 9409-010 Two Channel | 416.00 |
| 9415-010 Two Channel Low Power Draw | 436.00 |
| 9416-010 Single Channel Low Power Draw | 250.00 |

Reno A&E Wired Loop Detectors^{1,2}

| | |
|-----------------------------------|--------|
| 9402-045 24 VAC / 12-24 VDC | 288.00 |
| 9402-047 120 VAC | 288.00 |
| 9402-061 Wire Harness | 25.24 |

Carlo Gavazzi Wired Loop Detectors^{1,2}

| | |
|-----------------------------|--------|
| 9402-044 24 VAC / VDC | 212.00 |
| 9402-061 Wire Harness | 25.24 |

Diablo Wired Loop Detectors

| | |
|---|--------|
| 9402-050 10-30 VAC / VDC Low Power Draw | 288.00 |
|---|--------|

1. Detectors have two (2) relay outputs.
2. 9402-061 harness required.

Loop Wire – 18 AWG – XLPE Insulation

| | |
|---------------------------------------|--------|
| 9402-076 500 Ft. (152 m) Black | 184.00 |
| 9402-077 1000 Ft. (304 m) Black | 288.00 |
| 9402-078 500 Ft. (152 m) Blue | 184.00 |
| 9402-079 1000 Ft. (304 m) Blue | 288.00 |
| 9402-080 500 Ft. (152 m) Red | 184.00 |
| 9402-081 1000 Ft. (304 m) Red | 288.00 |

Prefabricated Loops¹

| | |
|----------------------------|--------|
| 9401-060 Blue Wire | 288.00 |
| 9401-061 Yellow Wire | 288.00 |
| 9401-062 Red Wire | 288.00 |

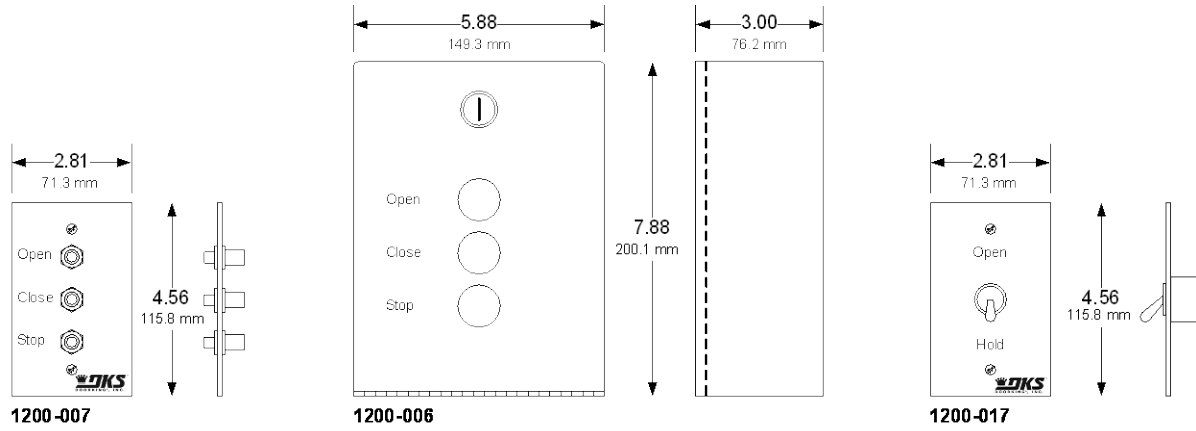
24 Ft. (7 m) circumference, 50 Ft. (15 M) lead-in wire.

Loop Accessories

| | |
|-----------------------------------|--------|
| 9401-045 Meg-Ohm Test Meter | 516.00 |
|-----------------------------------|--------|

Control Stations

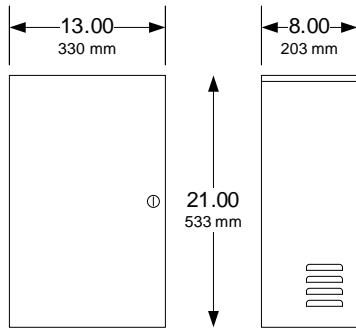
Manual Control



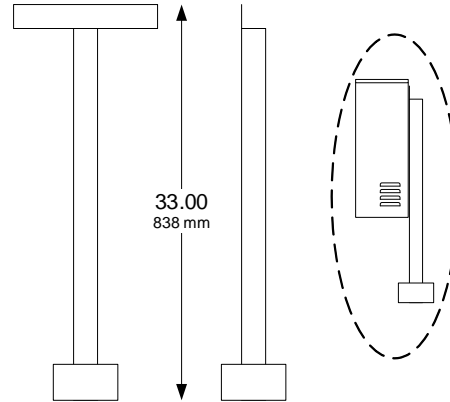
| | |
|---|--------|
| 3-Button Control¹ | |
| 1200-007 Indoor use only | 86.00 |
| <ul style="list-style-type: none"> • Mounts into single-gang electrical box. | |
| 1200-006 Indoor or Outdoor use | 156.00 |
| <ul style="list-style-type: none"> • Wall mount | |
| <p>1. These control stations use a normally open stop circuit and can only be used with the following models: 6050, 6100, 9100, 9150.</p> | |
| Toggle Control | |
| 1200-017 Indoor use only | 51.60 |
| <ul style="list-style-type: none"> • Mounts into single-gang electrical box | |

Model 1000

Back-up Power / Inverter



1000-080 / 1000-082



1000-045

Model 100 Power Inverter

1000-080 Modified Sine Wave, 1000 Watt.....1566.00

- Includes one (1) battery.
- Will power one (1) ½ HP operator.
- Use with DoorKing gate operators only.

1000-082 Pure Sine Wave, 1000 Watt.....2046.00

- Includes two (2) batteries.
- Will power two (2) ½ HP operators or a single 1 HP operator.
- Suitable for use with all DoorKing gate operators and most other brands.

Accessories

1000-045 Post Mount Kit 258.00

1801-005 12-Volt, 35 Ah SLA Battery..... 264.00

1000-044 Battery cable Set..... 48.88

1000-048 Battery Cable & Assembly..... 300.00

- Use this to add a second battery to the 1000-080 inverter (does not include battery).

Blank Page