



9575 MAXIMUM SECURITY AC GATE OPERATOR

• MAXIMUM SECURITY

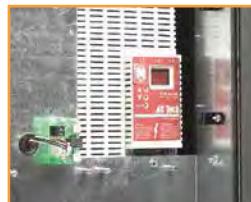
- User adjustable variable speed control
- Slow-start / slow-stop operation
- High tensile strength roller chain provides a direct mechanical linkage to the gate, will not slip and is unaffected by weather or other contaminants such as dirt, oil, grease, ice, etc.
- Integral internal direct driven limit switch system cannot be tampered with externally
- 5-year limited warranty



heavy-duty
10 ga steel housing option



gate tracker
reporting output



solid-state
variable speed control

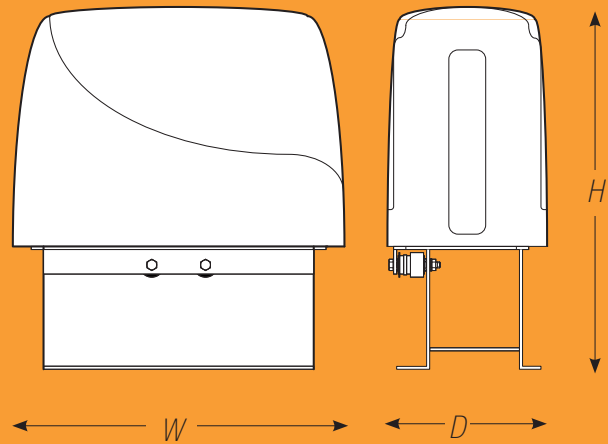


large gates
up to 25,000 pounds

9575 MAXIMUM SECURITY OPERATOR

9575 7.5 HP

54" W x 59" H x 26" D (137.16cm W x 149.86cm H x 66.04cm D)



	CLASS OF OPERATION	MAX GATE LENGTH *	MIN GATE LENGTH	MAX GATE WEIGHT *	MOTOR	INPUT 3-PHASE	MAX SPEED
9575 7.5 HP	III, IV	160 Ft (48.77 m)	25 Ft (7.62 m)	25,000 Lbs. (11,340 kg)	7.5 HP continuous duty AC motor	208 VAC / 3Ø, 22.6A 230 VAC / 3Ø, 20.5A 460 VAC / 3Ø, 10.2A	1-2 Ft / Sec (.3-.61 m / sec)

* Assumes gate to be in good condition and swinging in a level plane.

Technical Features

Mechanical

3/8" Steel frame
1/4" polyethylene molded cover rated NEMA 4x
Primary Reduction is provided by heavy-duty 40:1 gear reducer running in a continuous oil bath.
Chain: includes 20' of #100 Roller chain

Options

Heavy-duty 10 ga steel housing
Chain tray kit (p/n 2601-270) is available in 10-ft lengths and is recommended on gates exceeding 20-ft in length
Red/Green traffic signal provides a visual indication when the gate is safe & it is OK for traffic to proceed

Electrical

Adjustable speed control circuit: 1-2 ft/sec
Slow start / slow stop
Adjustable partial open
Anti-tailgating
Selectable stop / reverse loop function
Direct driven limit switches
Built-in power switch
Built-in 3-button control (open-close-stop)
Warn-before-operate function
Built-in diagnostics check for specific fault conditions
Port for plug-in loop detectors (DKS Detectors only)
Two 115 VAC Convenience outlets
Optional Gate Tracker reporting provides operator data to a companion DKS access control system (models 1833, 1835, 1837 and 1838)

Miscellaneous

Environmental: 10°F to 140°F (-12°C to 62°C)
Thermostatically controlled heater kit recommended for colder environments
Shipping weight approximately 700-1200 Lbs (317-544 kg) Depending on model and options selected



Safety

This vehicular slide gate operator is designed for Class III and IV applications only and should never be used in applications serving the general public such as apartment complexes, gated communities, residential applications, parking garages, etc.
Operator requires Type B1 or Type B2 entrapment protection devices with 10K resistive termination, otherwise the operator will not function



Access Control Solutions since 1948

Distributed by:

MEMBER:



DOORING®, INC.

120 Glasgow Avenue, Inglewood, California 90301 U.S.A.
Tel: 310-645-0023 FAX: 310-641-1586 www.dooring.com

© 2018 All Rights Reserved. Product specifications may change without notice.
Rev. 4/18