



# 9555 MAXIMUM SECURITY GATE OPERATOR



## • MAXIMUM SECURITY

- User adjustable variable speed control
- Slow-start / slow-stop operation
- High tensile strength roller chain provides a direct mechanical linkage to the gate, will not slip and is unaffected by weather or other contaminants such as dirt, oil, grease, ice, etc.
- Integral internal direct driven limit switch system cannot be tampered with externally
- 5-year limited warranty



**heavy-duty**  
10 ga steel housing option



**solid-state**  
variable speed control



**direct drive**  
limit switches

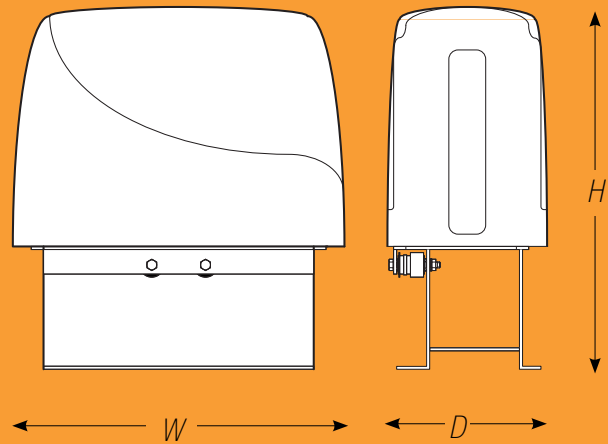


**large gates**  
up to 10,000 pounds

# 9555 MAXIMUM SECURITY OPERATOR

## 9555 5 HP

54" W x 59" H x 26" D (137.16cm W x 149.86cm H x 66.04cm D)



	CLASS OF OPERATION	MAX GATE LENGTH *	MIN GATE LENGTH	MAX GATE WEIGHT *	MOTOR	INPUT 3-PHASE	MAX SPEED
<b>9555 5 HP</b>	III, IV	160 Ft (48.77 m)	25 Ft (7.62 m)	10,000 Lbs. (4,536 kg)	5 HP continuous duty AC motor	208 VAC / 3 $\phi$ , 15.9A 230 VAC / 3 $\phi$ , 15.8A 460 VAC / 3 $\phi$ , 7.9A	up to 2 Ft / Sec (.61 m / sec)

\* Assumes gate to be in good condition and swinging in a level plane.

## Technical Features

### Mechanical

- 3/8" Steel frame
- 1/4" polyethylene molded cover rated NEMA 4x
- Primary Reduction is provided by heavy-duty 10:1 gear reducer running in a continuous oil bath.
- Chain: includes 20' of #80 Roller chain
- Brake: Spring-set, electrically released, self adjusting disc brake with manual release

### Options

- Heavy-duty 10 ga steel housing
- Chain tray kit (p/n 2601-270) is available in 10-ft lengths and is recommended on gates exceeding 20-ft in length
- Red/Green traffic signal provides a visual indication when the gate is safe & it is OK for traffic to proceed

### Electrical

- Adjustable speed 1 - 2 ft/sec
- Slow start / slow stop
- Adjustable partial open
- Anti-tailgating
- Selectable stop / reverse loop function
- Direct driven limit switches
- Built-in power switch
- Built-in 3-button control (open-close-stop)
- Warn-before-operate function
- Built-in diagnostics check for specific fault conditions
- Port for plug-in loop detectors (DKS Detectors only)
- Two 115 VAC Convenience outlets
- Optional Gate Tracker reporting provides operator data to a companion DKS access control system (models 1833, 1835, 1837 and 1838)

### Miscellaneous

- Environmental: 10°F to 140°F (-12°C to 62°C)
- Thermostatically controlled heater kit recommended for colder environments
- Shipping weight approximately 700-1200 Lbs (317-544 kg) Depending on model and options selected



### Safety

- This vehicular slide gate operator is designed for Class III and IV applications only and should never be used in applications serving the general public such as apartment complexes, gated communities, residential applications, parking garages, etc.
- Operator requires Type B1 or Type B2 entrapment protection devices with 10K resistive termination, otherwise the operator will not function



Access Control Solutions since 1948

Distributed by:

### MEMBER:



### DOORKING®, INC.

120 Glasgow Avenue, Inglewood, California 90301 U.S.A.  
 Tel: 310-645-0023 FAX: 310-641-1586 www.doorking.com  
 © 2016 All Rights Reserved. Product specifications may change without notice.  
 Rev. 6/16