

115 VAC - 3.3 AMP HEATER AND FAN ASSEMBLY KIT

DoorKing Part Number

1601-154









This kit is designed for all 6050, 6100, 6300, 9050, 9100, 9150, 9310 models and model 9000 -115 VAC ONLY gate operators. For cold weather climates where temperatures routinely drop below 40°F (4°C). A built-in thermostat will automatically control the temperature inside operator housing.

High Voltage AC Input Power for a Gate Operator with a Heater

DO NOT use the “high voltage wire size and distance requirements” table in the Installation/Owner’s manuals to determine the high voltage AC input power wire size and distance requirements for the gate operator because of a **much greater** current draw when using the heater. Use the table below to determine the wire size and distances for your chosen gate operator when a heater is installed.

If the high voltage AC input power wiring is greater than the maximum distance shown, it is recommended that a service feeder be installed. When large gauge wire is used, a separate junction box must be installed for the operator connection. Wire run distances are based on NEC guidelines for copper wire allowing a maximum 3% voltage drop on the line. The calculated distance was then further reduced by 10% to allow for other losses in the system. **Never** run low voltage rated wire insulation in the same conduit as high voltage rated wire insulation.

High voltage AC input wire size and distance requirements for a single gate operator with a heater.

Model	Horsepower	Volts	Operator and Heater Amps	Wire Size / Distance in Feet			
				12 AWG	10 AWG	8 AWG	6 AWG
	1/2 HP	115	7.6	125	205	345	515
Wire run distances are shown for a single 6050 operator with heater. In bi-parting (dual) gate applications, reduce the distance by one-half.							
	1/2 HP	115	8.7	110	180	300	450
		208/230	4.4	440	705	1175	1760
		460	2.2	1760	2820	4705	7055
Wire run distances are shown for a single 6100 operator with heater. In bi-parting (dual) gate applications, reduce the distance by one-half.							
	1/2 HP	115	8.7	110	180	300	450
		208/230	4.4	440	705	1175	1760
		460	2.2	1760	2820	4705	7055
	1 HP	115	13.0	70	120	200	300
		208/230	6.5	295	475	795	1190
		460	3.3	1175	1880	3136	4705
Wire run distances are shown for a single 6300 operator with heater. In bi-parting (dual) gate applications, reduce the distance by one-half.							
	1/2 HP	115	8.7	110	180	300	450
	1 HP	115	13.0	70	120	200	300
Wire run distances are shown for a single 9000 operator with heater. In bi-parting (dual) gate applications, reduce the distance by one-half.							
	1/2 HP	115	7.6	125	205	345	515
In bi-parting (dual) gate applications, high voltage AC power is required for EACH 9050 operator with heater.							
	1/2 HP	115	8.7	110	180	300	450
		208/230	4.4	440	705	1175	1760
		460	2.2	1760	2820	4705	7055
In bi-parting (dual) gate applications, AC input power is required for EACH 9100 operator with heater.							
	1/2 HP	115	8.7	110	180	300	450
		208/230	4.4	440	705	1175	1760
		460	2.2	1760	2820	4705	7055
	1 HP	115	13.0	70	120	200	300
		208/230	6.5	295	475	795	1190
		460	3.3	1175	1880	3136	4705
In bi-parting (dual) gate applications, high voltage AC power is required for EACH 9150 operator with heater.							
	1/2 HP	115	8.7	110	180	300	450
		208/230	4.4	440	705	1175	1760
		460	2.2	1760	2820	4705	7055
	1 HP	115	13.0	70	120	200	300
		208/230	6.5	295	475	795	1190
		460	3.3	1175	1880	3136	4705
In bi-parting (dual) gate applications, high voltage AC power is required for EACH 9310 operator with heater.							

Installation of Heater

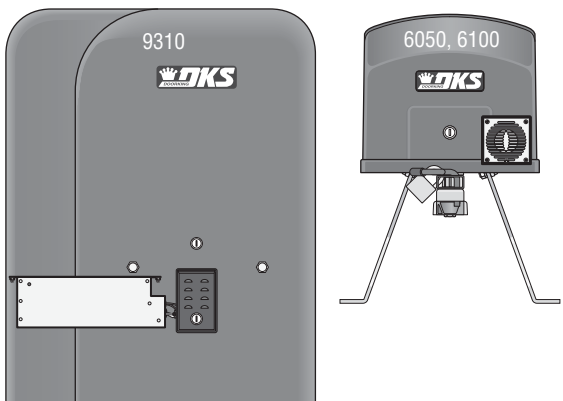
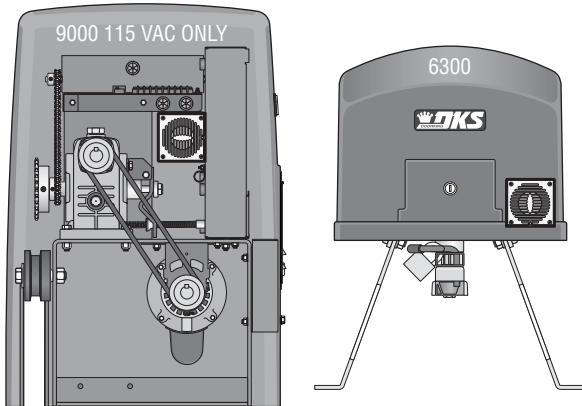
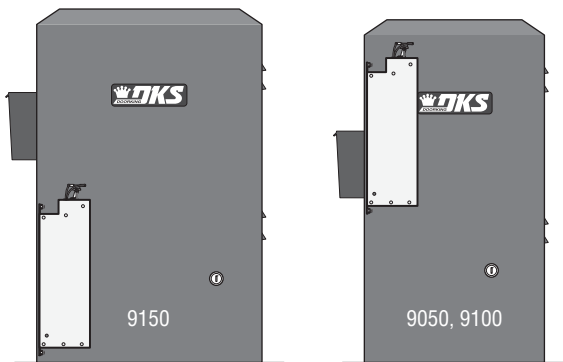
Kit Includes: Heater / mounting plate and 2 locknuts.

1 Shut off ALL power to operator

Turn off the DC convenience open power switch on certain operator models **first** then shut off the AC input power to the operator from the circuit breaker.

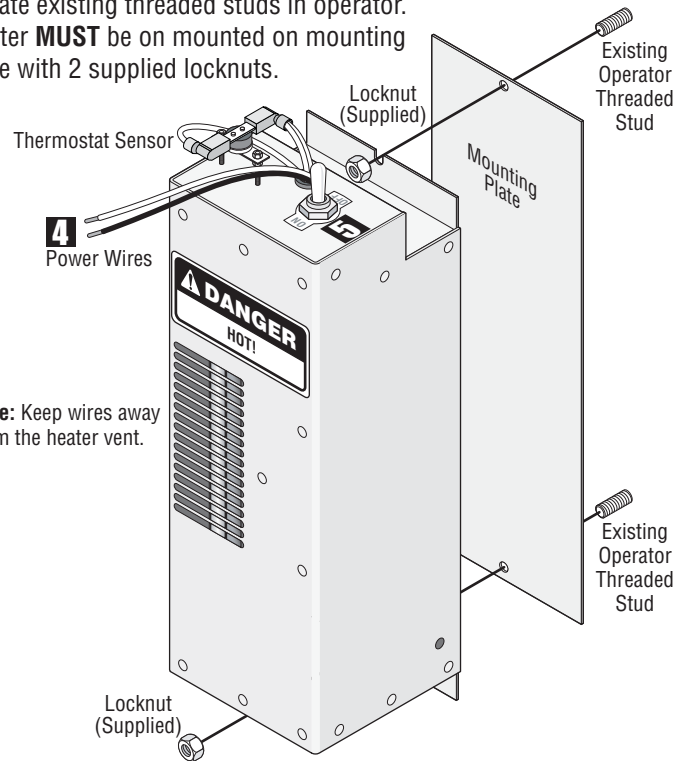
2 Heater Location

Determine heater's mounting location.



3 Mounting Heater

Locate existing threaded studs in operator. Heater **MUST** be mounted on mounting plate with 2 supplied locknuts.



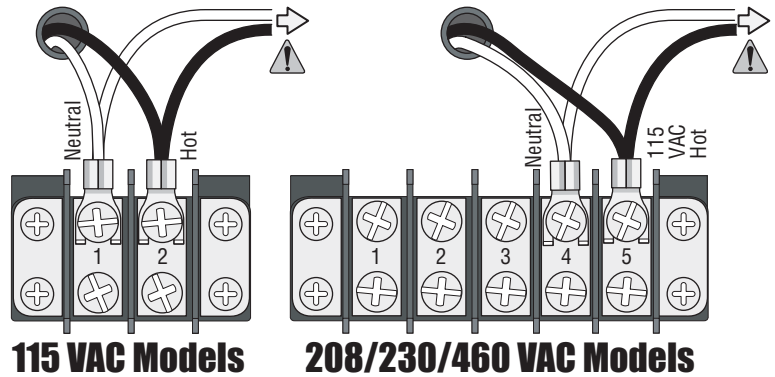
Note: Keep wires away from the heater vent.

4 Operator Power Terminal Connection

Connect the heater power wires according to operator AC power type.



Note for 6050/6100/6300/9000 Bi-Parting Dual Gates: Run two (AWG 16-600 volt insulation) power wires from the **primary** operator power terminal through the interconnection cable conduit to power the secondary operator's heater. **DO NOT** wire secondary heater directly to the secondary operator's terminal or damage will occur.



5 Heater Switch



ON - Normal setting. Automatically turns the heater and fan **ON** when the temperature drops below 40°F (4°C) inside the operator, and turns the heater and fan **OFF** when the temperature rises above 55°F (13°C) inside the operator.

OFF - Turns the heater/fan off.

